

US00D844978S

(12) **United States Design Patent** (10) **Patent No.:** **US D844,978 S**
Munie et al. (45) **Date of Patent:** **** Apr. 9, 2019**

(54) **BACKPACK**
(71) Applicant: **YETI Coolers, LLC**, Austin, TX (US)
(72) Inventors: **Jeffrey Charles Munie**, Austin, TX (US); **Kyle Edward Rogers**, Austin, TX (US)

D748,918 S 2/2016 Majeau
D749,316 S 2/2016 Lee
D758,715 S 6/2016 Daniel et al.
D770,761 S * 11/2016 Deioma D3/217
D772,562 S * 11/2016 Petre D3/216
(Continued)

(73) Assignee: **YETI Coolers, LLC**, Austin, TX (US)
(**) Term: **15 Years**

FOREIGN PATENT DOCUMENTS
CN 300845054 11/2008
CN 301296829 8/2010
(Continued)

(21) Appl. No.: **29/633,950**

OTHER PUBLICATIONS

(22) Filed: **Jan. 17, 2018**
(51) **LOC (11) Cl.** **03-01**
(52) **U.S. Cl.**
USPC **D3/217**
(58) **Field of Classification Search**
USPC D3/215-217, 273, 289, 290, 318, 321, D3/322, 323
CPC .. A45F 3/04; A45F 3/042; A45F 3/047; A45F 3/08; A45F 3/10; A45F 3/14; A45F 4/02; A45F 4/08; A45F 2200/05; A45F 2200/0525; A45C 13/08; A45C 13/083
See application file for complete search history.

Panga Backpack 28, posted at www.yeti.com, no posting date available, online, URL:https://www.yeti.com/panga-backpack-28/YPB28.html?dwvar_YPB28_color=storm-gray&cgid=bags#start=1 (Year: 2018).*

Primary Examiner — Anhdao Doan
Assistant Examiner — Mary Shannon Malley
(74) *Attorney, Agent, or Firm* — Banner & Witcoff, Ltd.

(57) **CLAIM**

The ornamental design for a backpack, as shown and described.

DESCRIPTION

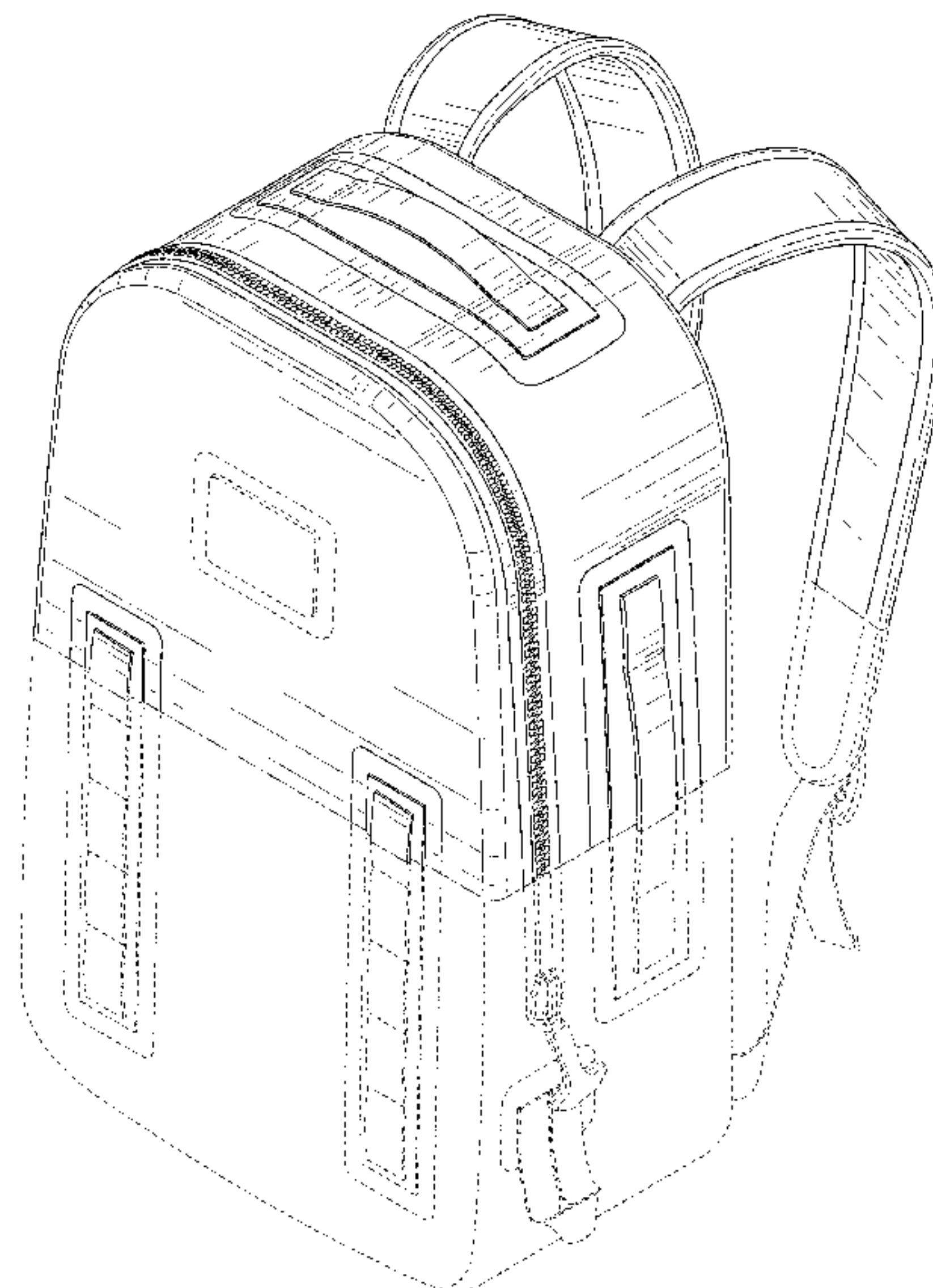
(56) **References Cited**

U.S. PATENT DOCUMENTS

D511,620 S * 11/2005 Van Himbeeck D3/217
D591,500 S * 5/2009 Siegel D3/232
D673,363 S * 1/2013 Crandall D3/217
D699,431 S 2/2014 Hock
D702,434 S 4/2014 Chalk et al.
D706,027 S 6/2014 Hock
D706,534 S 6/2014 Zwetzig
D713,139 S 9/2014 Ford
D725,378 S 3/2015 Ford
D742,631 S 11/2015 Kim
D745,777 S 12/2015 Zwetzig et al.
D746,049 S * 12/2015 Zwetzig D3/217

FIG. 1 is a front perspective view of a backpack showing our new design;
FIG. 2 is a front view thereof;
FIG. 3 is a rear view thereof;
FIG. 4 is a side view thereof;
FIG. 5 is an opposite side view thereof;
FIG. 6 is a top view thereof; and,
FIG. 7 is a bottom view thereof.
The uneven-length broken lines represent unclaimed boundaries of the claimed design. The even-length broken lines showing the remainder of the backpack represent unclaimed subject matter and form no part of the claimed design.

1 Claim, 7 Drawing Sheets



(56)

References Cited

U.S. PATENT DOCUMENTS

D773,814 S * 12/2016 Barenbrug D3/289
 D781,575 S 3/2017 Etekochay
 D789,682 S 6/2017 Maeng
 D798,588 S 10/2017 Heyman
 D799,214 S * 10/2017 Chalk D3/318
 D816,990 S * 5/2018 Naito D3/267
 D830,133 S * 10/2018 Sullivan D7/607
 2013/0069380 A1 * 3/2013 Miller A45F 3/04
 294/82.11
 2016/0007719 A1 * 1/2016 Harstvedt A45F 3/04
 224/645
 2016/0128438 A1 * 5/2016 Grey A45C 3/004
 206/279
 2018/0162626 A1 * 6/2018 Munie A45F 3/04

FOREIGN PATENT DOCUMENTS

CN 301494750 3/2011
 CN 303154596 4/2015
 CN 303235632 6/2015
 CN 303630947 4/2016
 CN 303643692 4/2016
 CN 303643716 4/2016
 CN 303706028 6/2016
 CN 303714315 6/2016
 CN 303783512 8/2016

CN 303783546 8/2016
 CN 303783547 8/2016
 CN 303783549 8/2016
 CN 303810330 8/2016
 CN 303830818 9/2016
 CN 303830822 9/2016
 CN 303830825 9/2016
 CN 303881312 10/2016
 CN 303881340 10/2016
 CN 303898041 10/2016
 CN 303918619 11/2016
 CN 303941347 11/2016
 CN 304000436 1/2017
 CN 304021950 2/2017
 CN 304021958 2/2017
 CN 304022031 2/2017
 CN 304036687 2/2017
 EM 000263967-0006 3/2005
 EM 000962949-0001 11/2008
 EM 000911607-0002 6/2010
 EM 002438788-0001 4/2014
 EM 002438788-0002 4/2014
 EM 002884650-0004 2/2016
 EM 003064997-0015 4/2016
 EM 003306232-0016 8/2016
 EM 003376003-0001 9/2016
 EM 003471994-0003 11/2016
 EM 003481522-0001 11/2016

* cited by examiner



FIG. 1

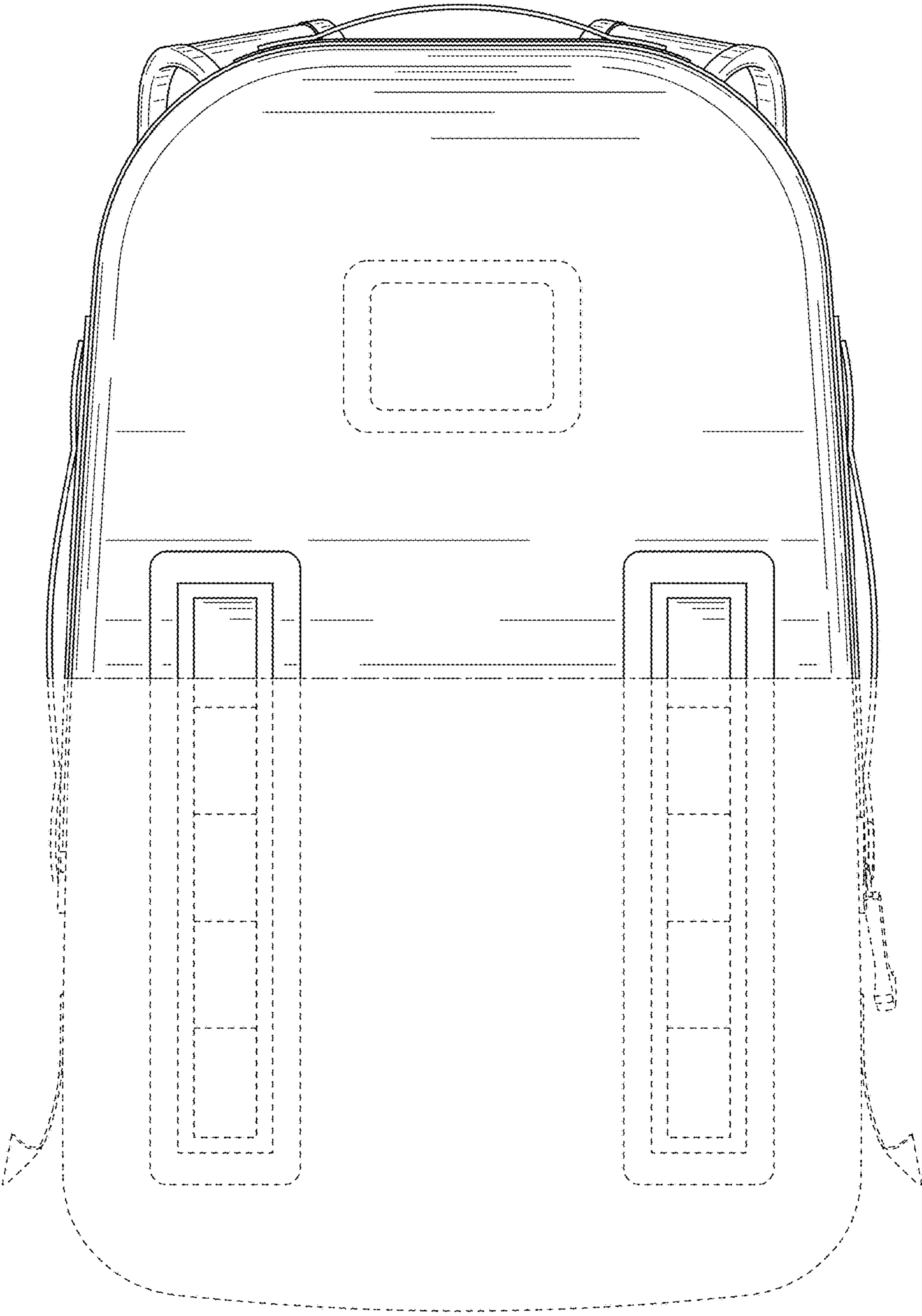


FIG. 2

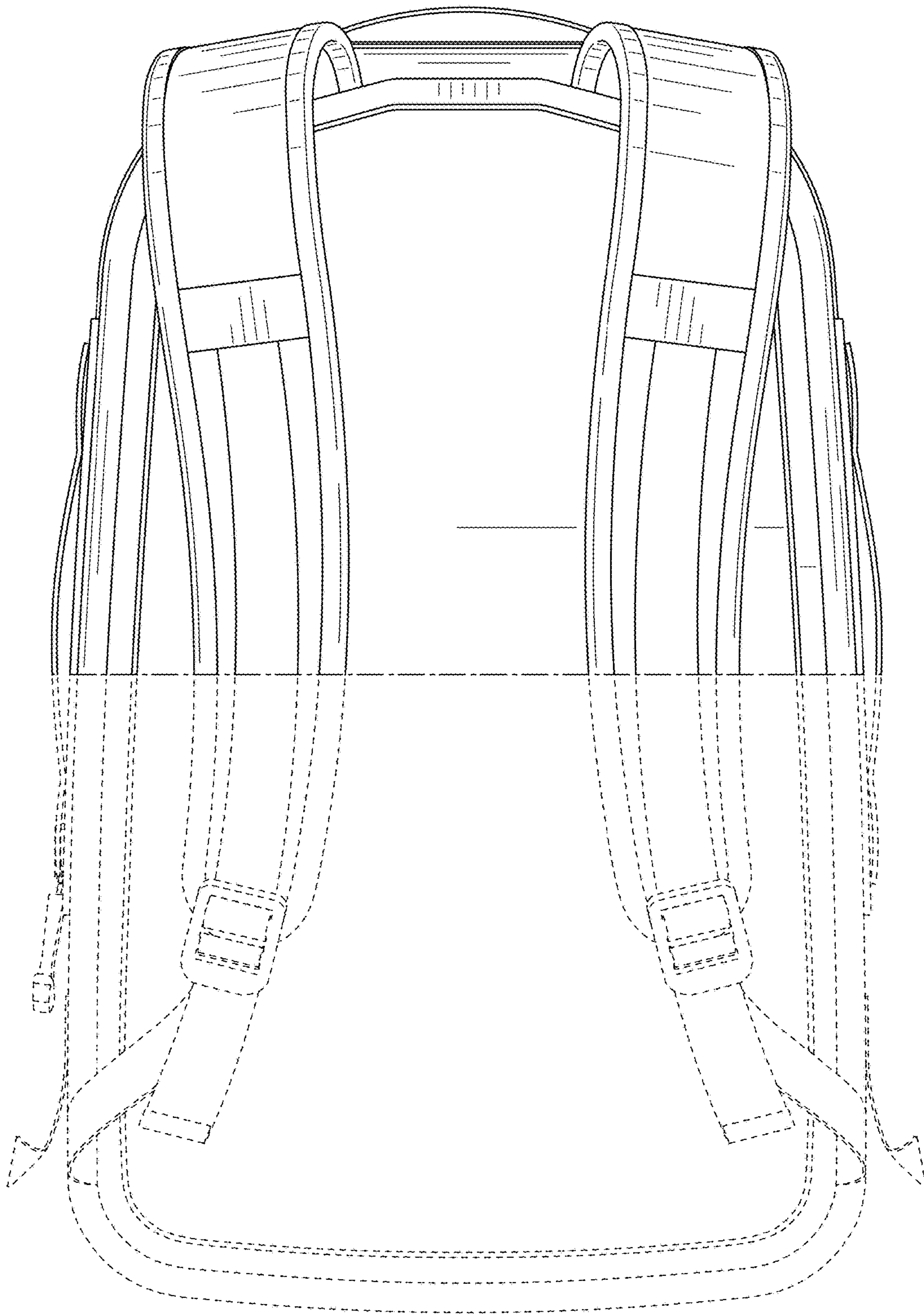


FIG. 3

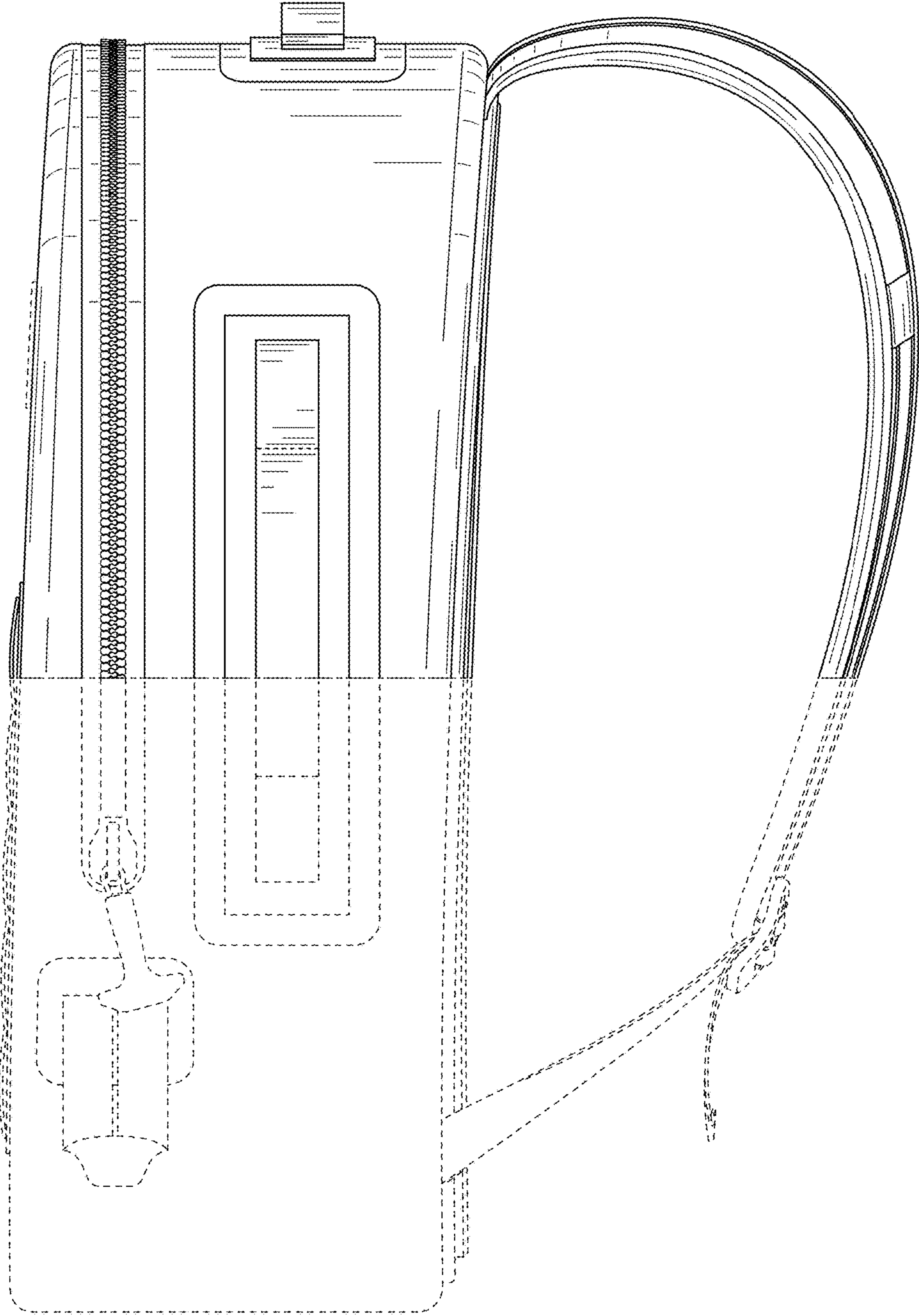


FIG. 4

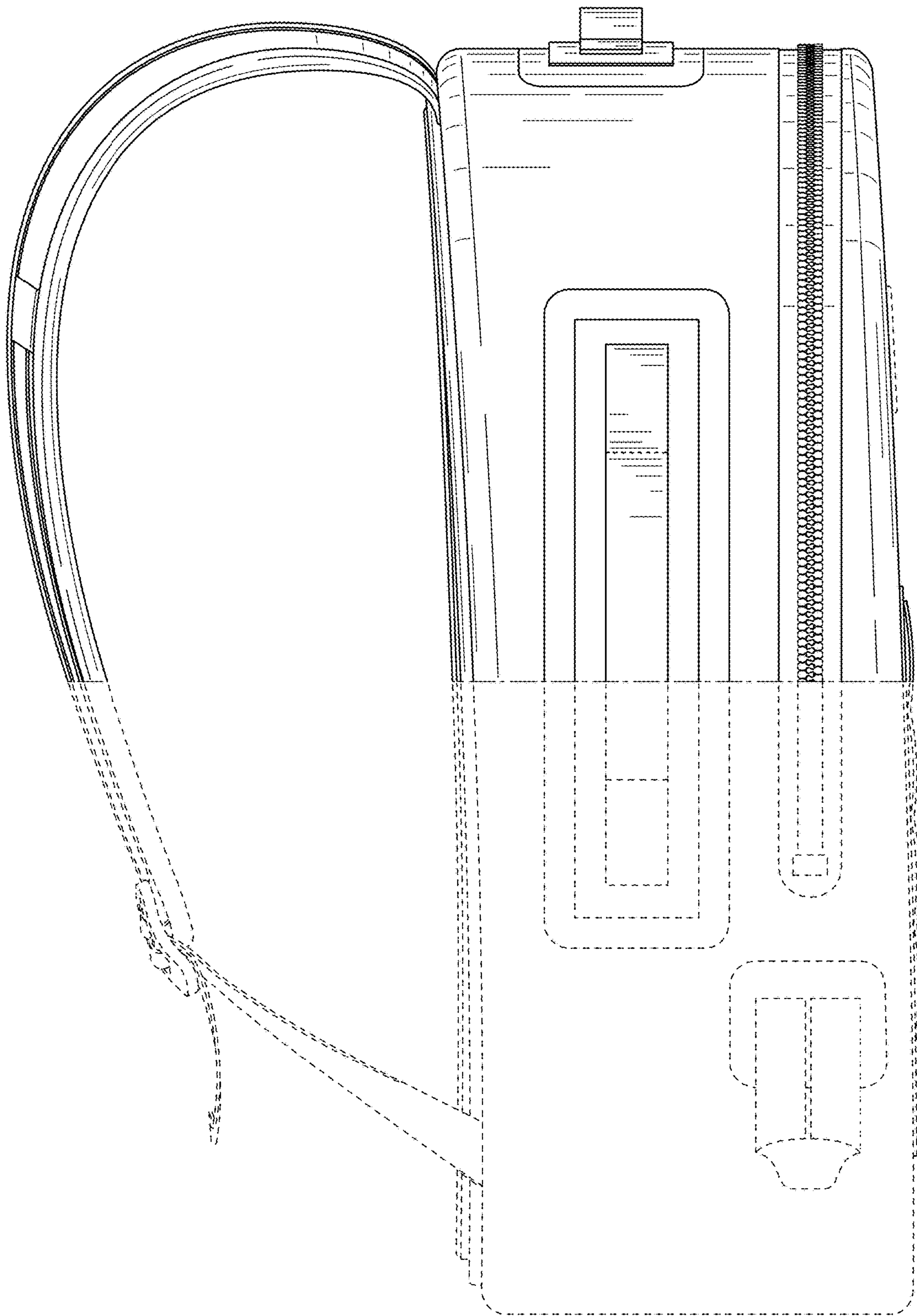


FIG. 5

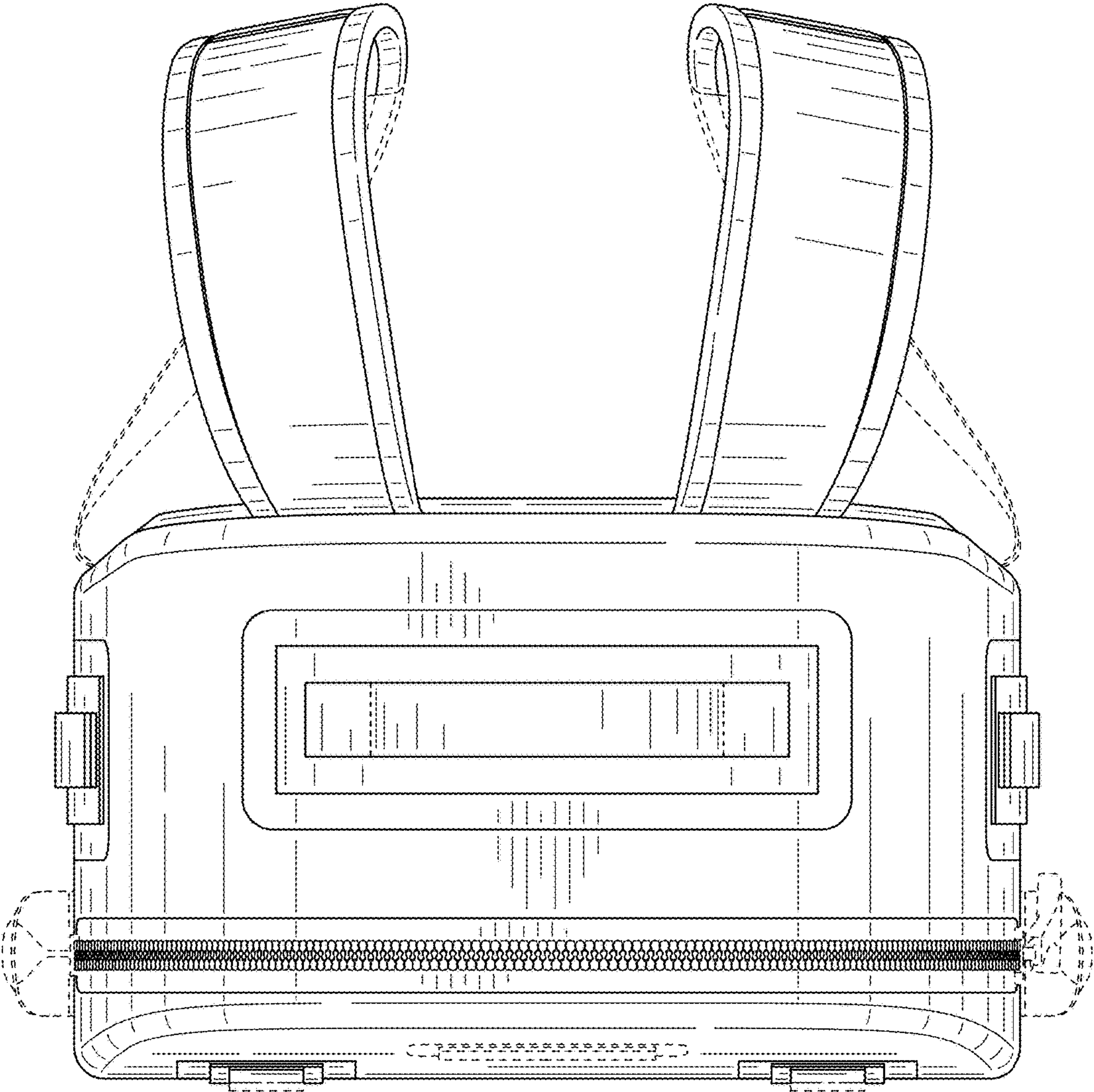


FIG. 6

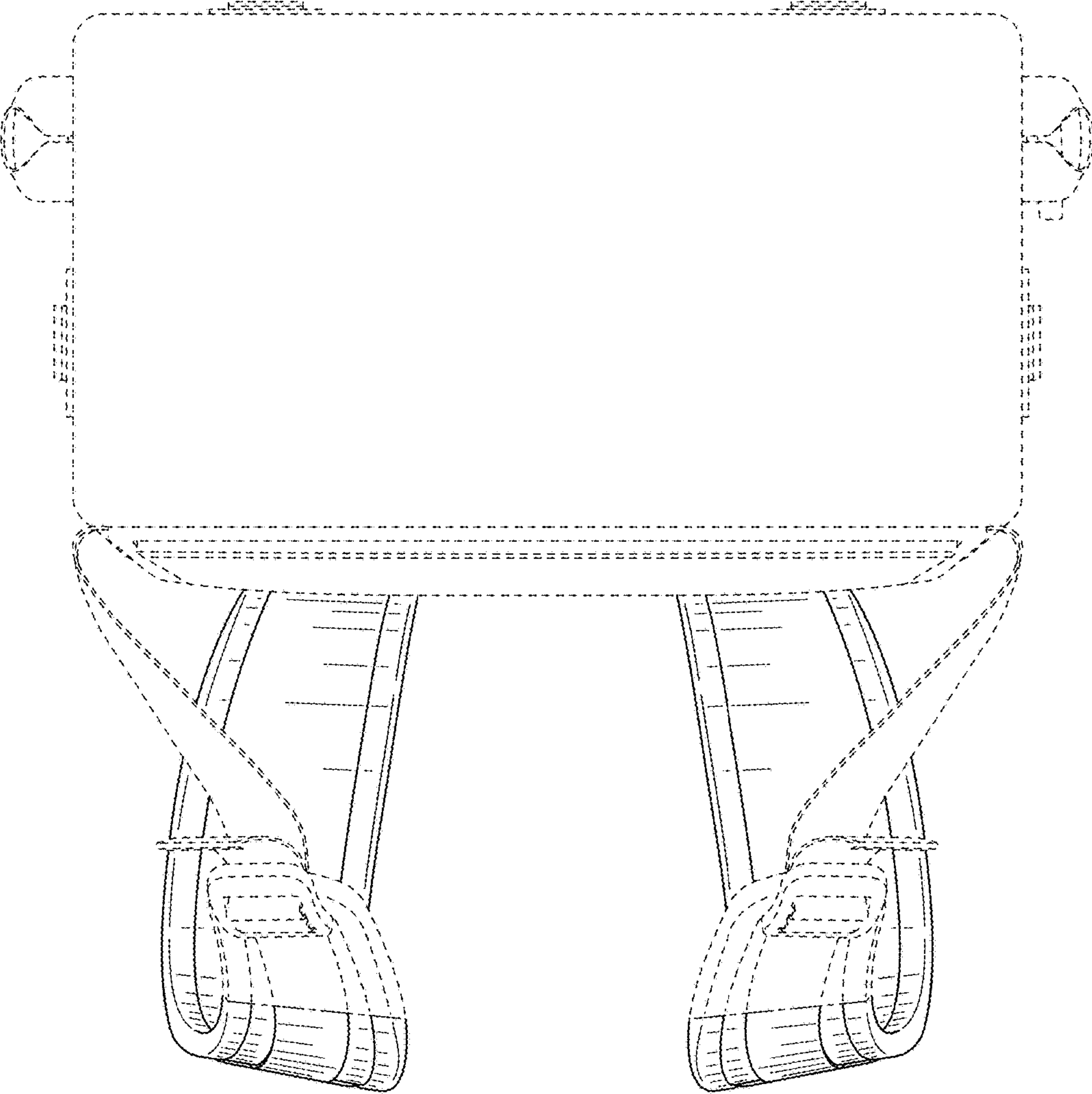


FIG. 7