



US00D844975S

(12) **United States Design Patent** (10) **Patent No.:** **US D844,975 S**  
**Munie et al.** (45) **Date of Patent:** **\*\* Apr. 9, 2019**

(54) **BACKPACK**  
(71) Applicant: **YETI Coolers, LLC**, Austin, TX (US)  
(72) Inventors: **Jeffrey Charles Munie**, Austin, TX (US); **Kyle Edward Rogers**, Austin, TX (US)  
(73) Assignee: **YETI Coolers, LLC**, Austin, TX (US)

D758,715 S 6/2016 Daniel et al.  
D770,761 S \* 11/2016 Deioma ..... D3/217  
D772,562 S \* 11/2016 Petre ..... D3/216  
(Continued)

**FOREIGN PATENT DOCUMENTS**

CN 300845054 11/2008  
CN 301296829 8/2010  
(Continued)

(\*\*) Term: **15 Years**

**OTHER PUBLICATIONS**

(21) Appl. No.: **29/633,933**  
(22) Filed: **Jan. 17, 2018**  
(51) **LOC (11) Cl.** ..... **03-01**  
(52) **U.S. Cl.**  
USPC ..... **D3/217**  
(58) **Field of Classification Search**  
USPC ..... D3/215-217, 273, 289, 290, 318, 321, D3/322, 323  
CPC .. A45F 3/04; A45F 3/042; A45F 3/047; A45F 3/08; A45F 3/10; A45F 3/14; A45F 4/02; A45F 4/08; A45F 2200/05; A45F 2200/0525; A45C 13/08; A45C 13/083  
See application file for complete search history.

Panga Backpack 28, posted at [www.yeti.com](http://www.yeti.com), no posting date available, online, URL:[https://www.yeti.com/panga-backpack-28/YPB28.html?dwvar\\_YPB28\\_color=storm-gray&cgid=bags#start=1](https://www.yeti.com/panga-backpack-28/YPB28.html?dwvar_YPB28_color=storm-gray&cgid=bags#start=1) (Year: 2018).\*

*Primary Examiner* — Anhdao Doan  
*Assistant Examiner* — Mary Shannon Malley  
(74) *Attorney, Agent, or Firm* — Banner & Witcoff, Ltd.

(57) **CLAIM**

The ornamental design for a backpack, as shown and described.

**DESCRIPTION**

(56) **References Cited**

**U.S. PATENT DOCUMENTS**

D511,620 S \* 11/2005 Van Himbeeck ..... D3/217  
D591,500 S \* 5/2009 Siegel ..... D3/232  
D673,363 S \* 1/2013 Crandall ..... D3/217  
D699,431 S 2/2014 Hock  
D702,434 S 4/2014 Chalk et al.  
D706,027 S 6/2014 Hock  
D706,534 S 6/2014 Zwetzig  
D713,139 S 9/2014 Ford  
D725,378 S 3/2015 Ford  
D742,631 S 11/2015 Kim  
D745,777 S 12/2015 Zwetzig et al.  
D746,049 S \* 12/2015 Zwetzig ..... D3/217  
D748,918 S 2/2016 Majeau  
D749,316 S 2/2016 Lee

FIG. 1 is a front perspective view of a backpack showing our new design;  
FIG. 2 is a front view thereof;  
FIG. 3 is a rear view thereof;  
FIG. 4 is a side view thereof;  
FIG. 5 is an opposite side view thereof;  
FIG. 6 is a top view thereof; and,  
FIG. 7 is a bottom view thereof.  
The broken lines immediately adjacent to the shaded area represent unclaimed boundaries of the design. The broken lines showing the remainder of the backpack represent unclaimed subject matter and form no part of the claimed design.

**1 Claim, 7 Drawing Sheets**



(56)

References Cited

U.S. PATENT DOCUMENTS

D773,814 S \* 12/2016 Barenbrug ..... D3/289  
 D781,575 S 3/2017 Etekochay  
 D789,682 S 6/2017 Maeng  
 D798,588 S 10/2017 Heyman  
 D799,214 S \* 10/2017 Chalk ..... D3/318  
 D816,990 S \* 5/2018 Naito ..... D3/267  
 D830,133 S \* 10/2018 Sullivan ..... D7/607  
 2013/0069380 A1 \* 3/2013 Miller ..... A45F 3/04  
 294/82.11  
 2016/0007719 A1 \* 1/2016 Harstvedt ..... A45F 3/04  
 224/645  
 2016/0128438 A1 \* 5/2016 Grey ..... A45C 3/004  
 206/279  
 2018/0162626 A1 \* 6/2018 Munie ..... A45F 3/04

FOREIGN PATENT DOCUMENTS

CN 301494750 3/2011  
 CN 303154596 4/2015  
 CN 303235632 6/2015  
 CN 303630947 4/2016  
 CN 303643692 4/2016  
 CN 303643716 4/2016  
 CN 303706028 6/2016  
 CN 303714315 6/2016  
 CN 303783512 8/2016

CN 303783546 8/2016  
 CN 303783547 8/2016  
 CN 303783549 8/2016  
 CN 303810330 8/2016  
 CN 303830818 9/2016  
 CN 303830822 9/2016  
 CN 303830825 9/2016  
 CN 303881312 10/2016  
 CN 303881340 10/2016  
 CN 303898041 10/2016  
 CN 303918619 11/2016  
 CN 303941347 11/2016  
 CN 304000436 1/2017  
 CN 304021950 2/2017  
 CN 304021958 2/2017  
 CN 304022031 2/2017  
 CN 304036687 2/2017  
 EM 000263967-0006 3/2005  
 EM 000962949-0001 11/2008  
 EM 000911607-0002 6/2010  
 EM 002438788-0001 4/2014  
 EM 002438788-0002 4/2014  
 EM 002884650-0004 2/2016  
 EM 003064997-0015 4/2016  
 EM 003306232-0016 8/2016  
 EM 003376003-0001 9/2016  
 EM 003471994-0003 11/2016  
 EM 003481522-0001 11/2016

\* cited by examiner

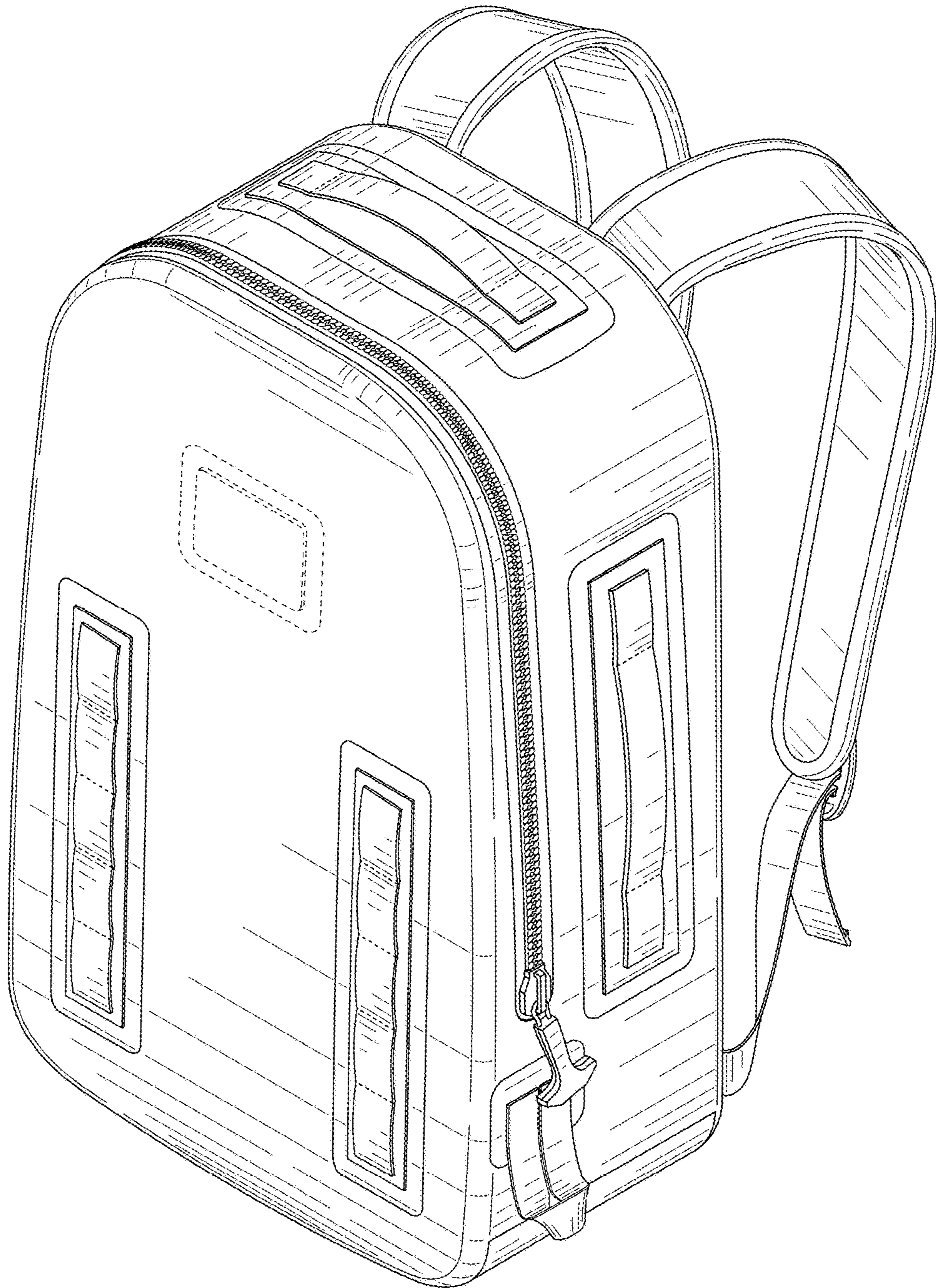


FIG. 1

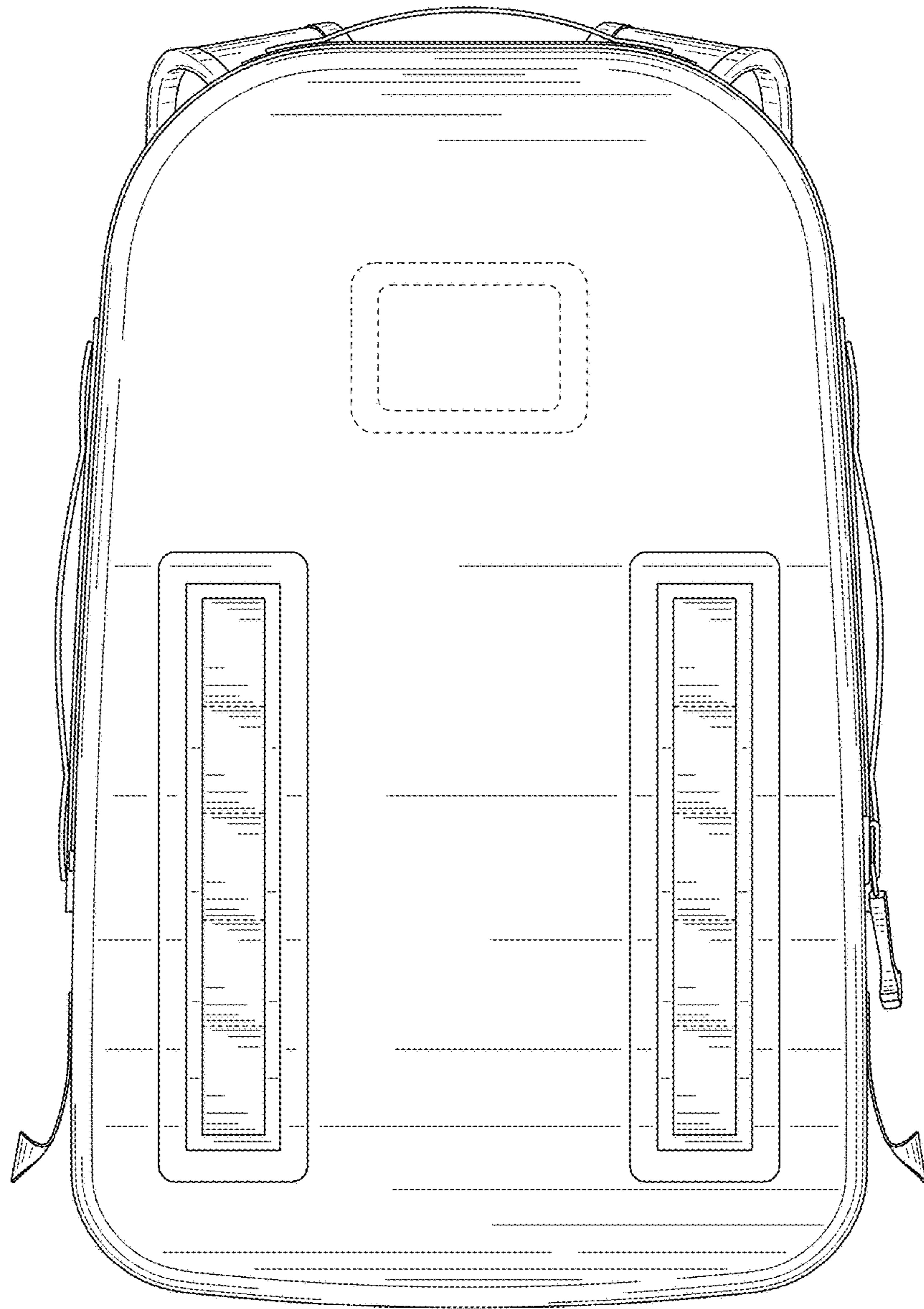


FIG. 2

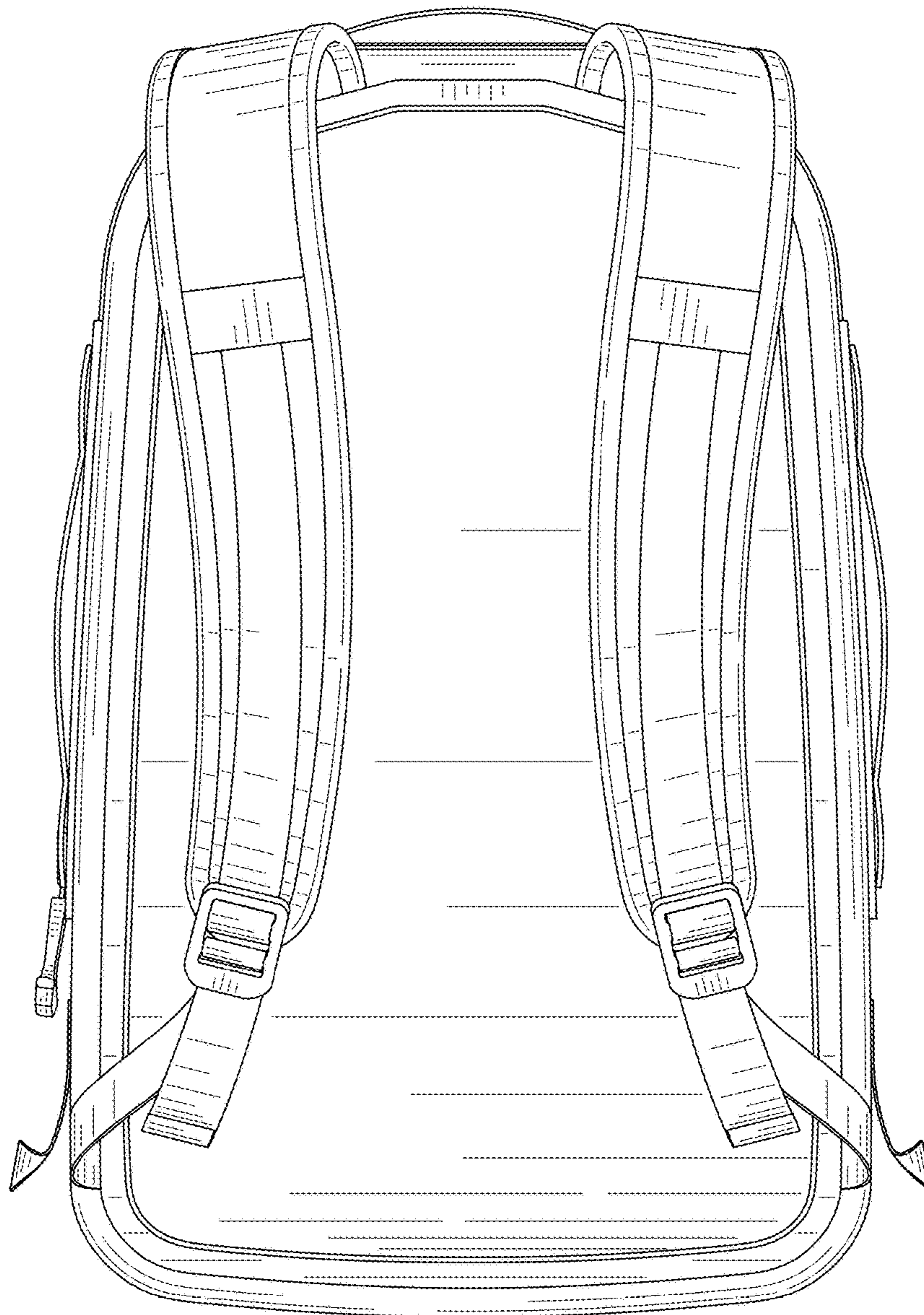


FIG. 3

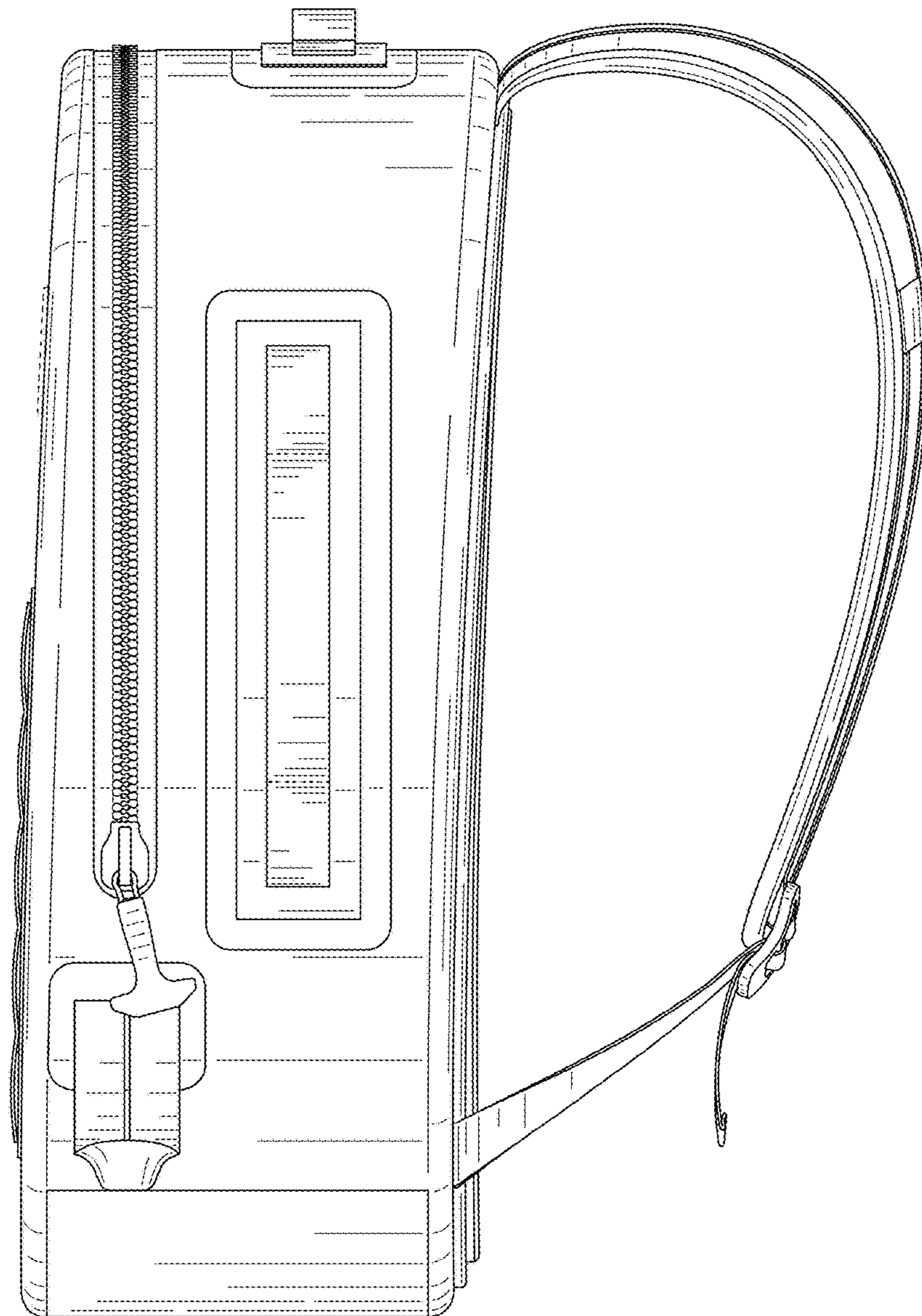


FIG. 4

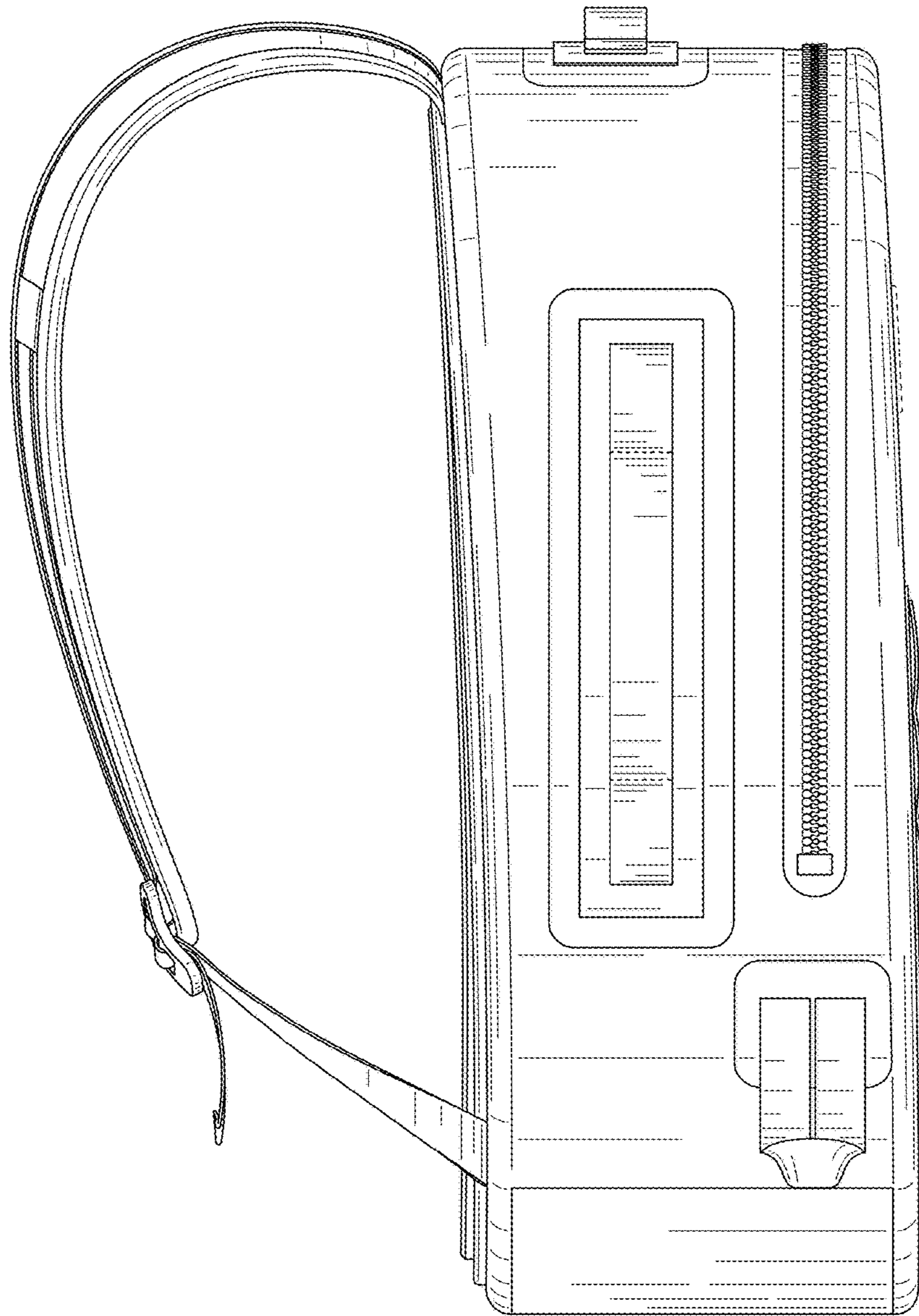


FIG. 5

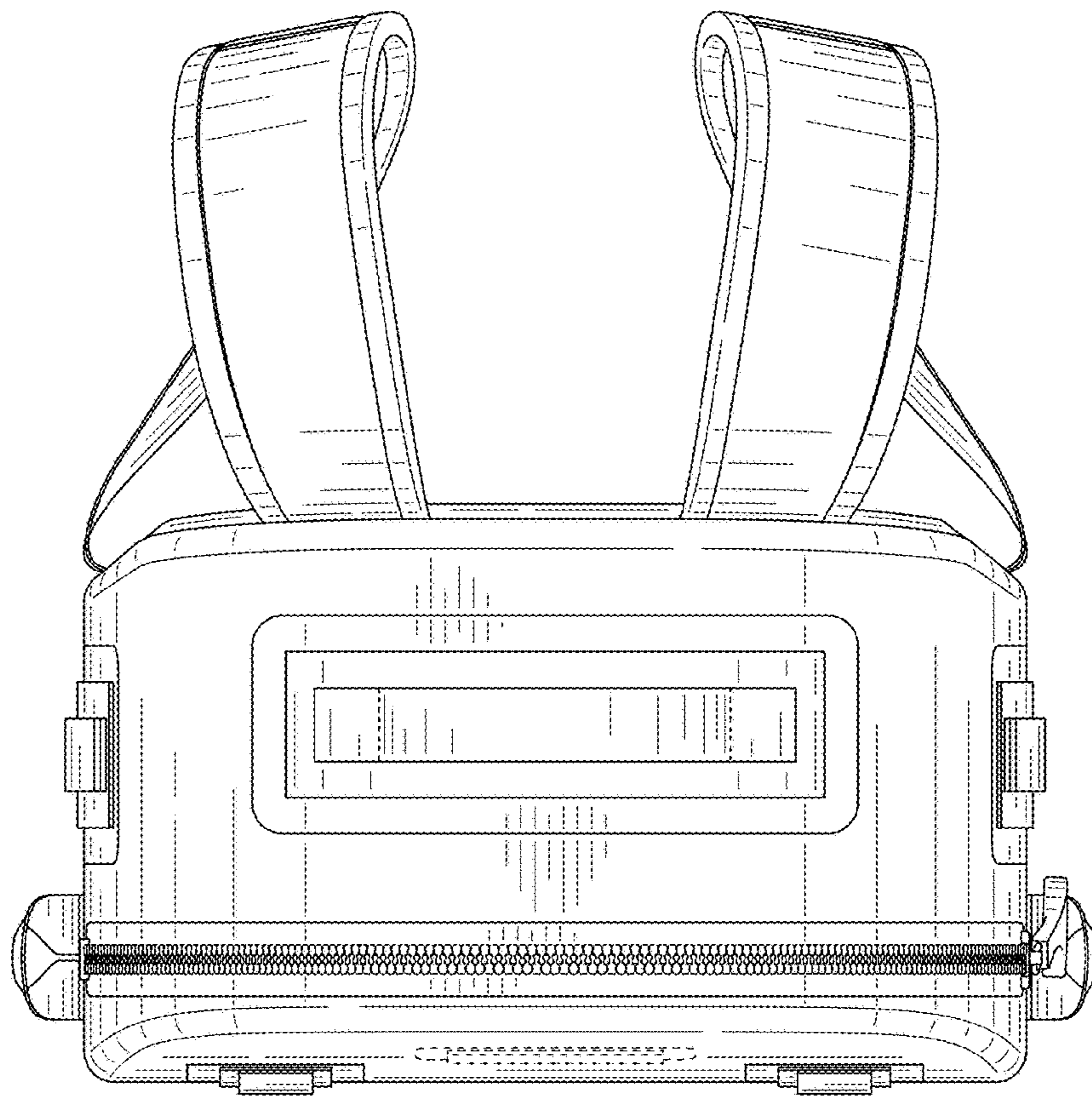


FIG. 6



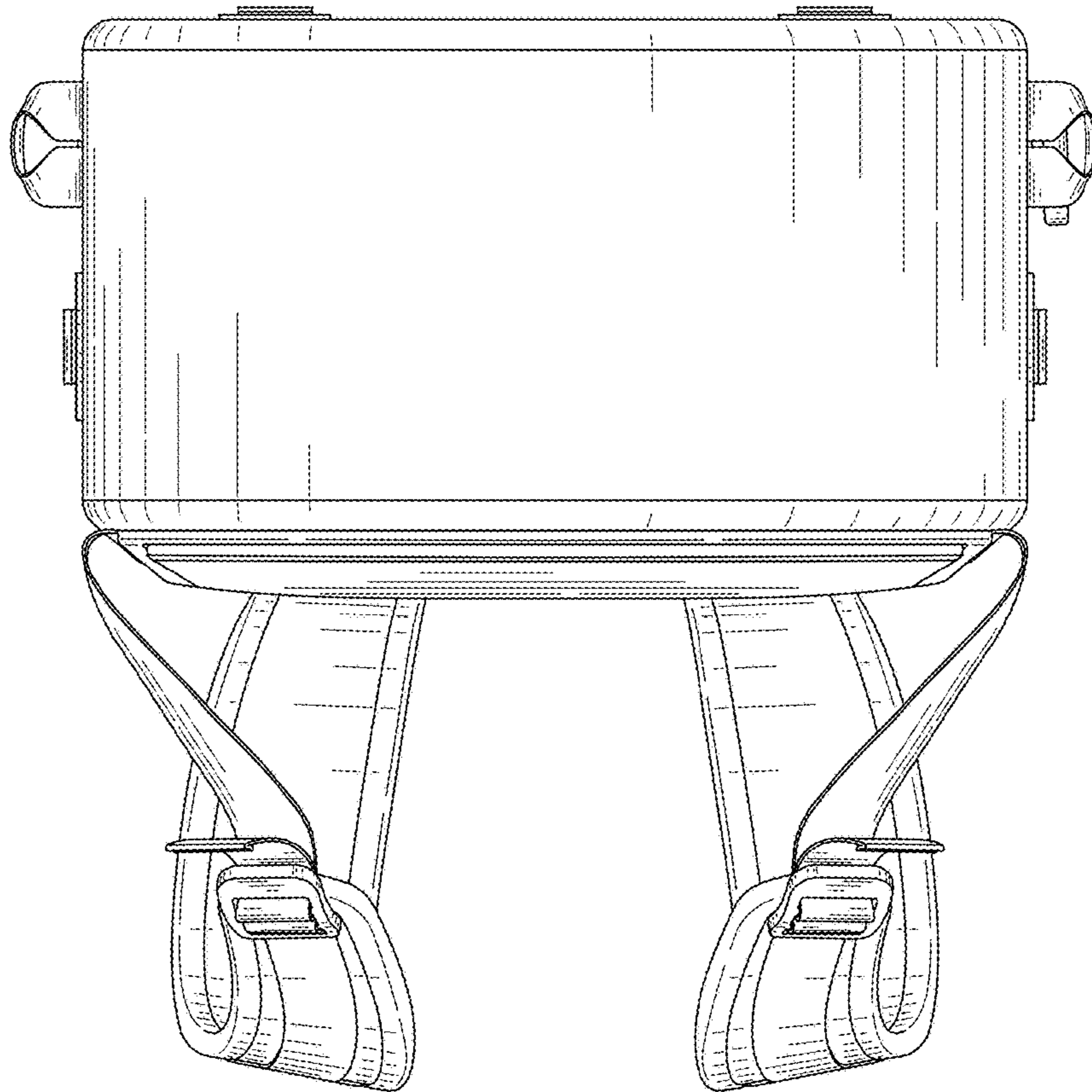


FIG. 7