



US00D844972S

(12) **United States Design Patent**  
**Wantland**

(10) **Patent No.:** **US D844,972 S**

(45) **Date of Patent:** **\*\* Apr. 9, 2019**

(54) **CARABINER KEY CHAIN**  
(71) Applicant: **Baseballism Inc.**, Portland, OR (US)  
(72) Inventor: **Ryan Wantland**, Portland, OR (US)  
(73) Assignee: **Baseballism Inc.**, Portland, OR (US)  
(\*\*) Term: **15 Years**

D337,200 S \* 7/1993 Keller ..... D3/207  
6,098,327 A \* 8/2000 Gallant ..... A44B 15/00  
40/600  
D557,008 S \* 12/2007 Stiller ..... D3/207  
D669,345 S \* 10/2012 Taurins ..... D8/367  
9,958,001 B2 \* 5/2018 Liu ..... F16B 45/02  
D821,090 S \* 6/2018 Case ..... D3/207  
D821,740 S \* 7/2018 Martinson ..... D3/207  
D826,550 S \* 8/2018 Filakousky ..... D3/207  
D832,156 S \* 10/2018 Johns ..... D12/162

(21) Appl. No.: **29/654,531**  
(22) Filed: **Jun. 25, 2018**  
(51) **LOC (11) Cl.** ..... **03-01**  
(52) **U.S. Cl.**  
USPC ..... **D3/207**  
(58) **Field of Classification Search**  
USPC ..... D3/207-212; 70/456 B, 457, 458, 408,  
70/456 R; D13/168; D8/347, 356;  
D10/104; D14/496, 411; 206/37.1;  
D21/604, 605, 656, 658, 659; 24/3.6;  
D11/11, 79, 81, 82, 87  
CPC ..... H04B 1/034; F04B 15/00; E05B 19/00;  
E05B 19/04; A44B 15/00; A44B 15/002;  
A44B 15/005; A44B 15/007; A44B 19/00  
See application file for complete search history.

\* cited by examiner

*Primary Examiner* — Ralf Seifert

(74) *Attorney, Agent, or Firm* — McCoy Russell LLP

(57) **CLAIM**

The ornamental design for a carabiner key chain, as shown and described.

**DESCRIPTION**

FIG. 1 is a front left elevated perspective view of a carabiner key chain according to a first embodiment of the present invention.

FIG. 2 is a back right elevated perspective view of the carabiner key chain of FIG. 1.

FIG. 3 is a front view of the carabiner key chain of FIG. 1.

FIG. 4 is a rear view of the carabiner key chain of FIG. 1.

FIG. 5 is a right side view of the carabiner key chain of FIG. 1.

FIG. 6 is a left side view of the carabiner key chain of FIG. 1.

FIG. 7 is a top view of the carabiner key chain of FIG. 1;

and,

FIG. 8 is a bottom view of the carabiner key chain of FIG. 1.

The broken lines shown in FIGS. 1-8 illustrate portions of the carabiner key chain and form no part of the claimed design.

The broken lines shown in FIGS. 1-8 illustrate portions of the carabiner key chain and form no part of the claimed design.

The broken lines shown in FIGS. 1-8 illustrate portions of the carabiner key chain and form no part of the claimed design.

The broken lines shown in FIGS. 1-8 illustrate portions of the carabiner key chain and form no part of the claimed design.

The broken lines shown in FIGS. 1-8 illustrate portions of the carabiner key chain and form no part of the claimed design.

The broken lines shown in FIGS. 1-8 illustrate portions of the carabiner key chain and form no part of the claimed design.

The broken lines shown in FIGS. 1-8 illustrate portions of the carabiner key chain and form no part of the claimed design.

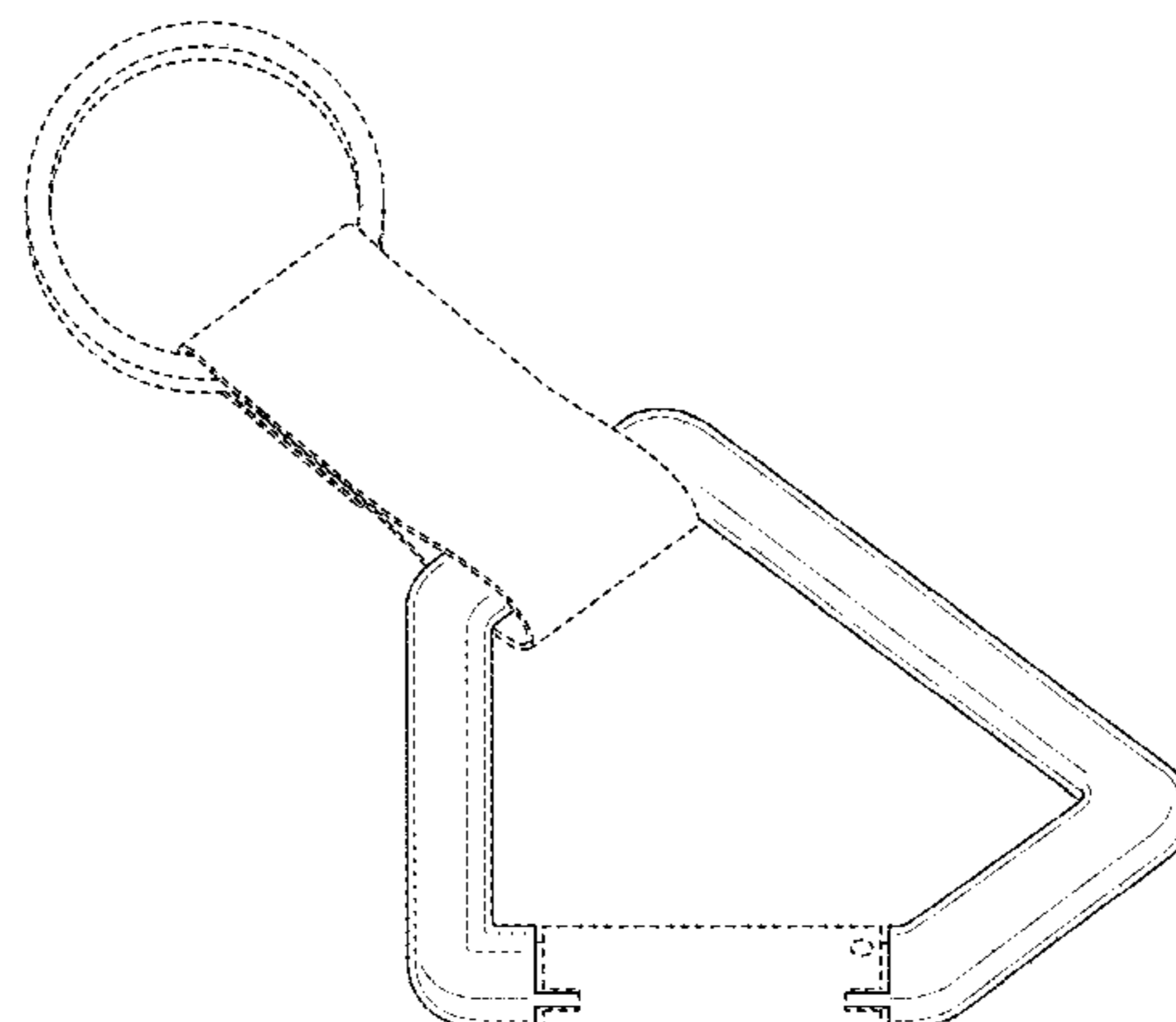
The broken lines shown in FIGS. 1-8 illustrate portions of the carabiner key chain and form no part of the claimed design.

**1 Claim, 6 Drawing Sheets**

(56) **References Cited**

**U.S. PATENT DOCUMENTS**

803,839 A \* 11/1905 Merrill ..... A44B 15/00  
40/634  
1,600,118 A \* 9/1926 Long ..... A44B 15/00  
70/456 R  
D165,270 S \* 11/1951 Davis ..... D3/207  
2,871,691 A \* 2/1959 Bacon ..... A44B 15/00  
24/704.2  
3,315,504 A \* 4/1967 Billings, Jr. .... A45C 11/32  
70/408  
5,077,850 A \* 1/1992 Brubaker ..... A44B 15/005  
224/163



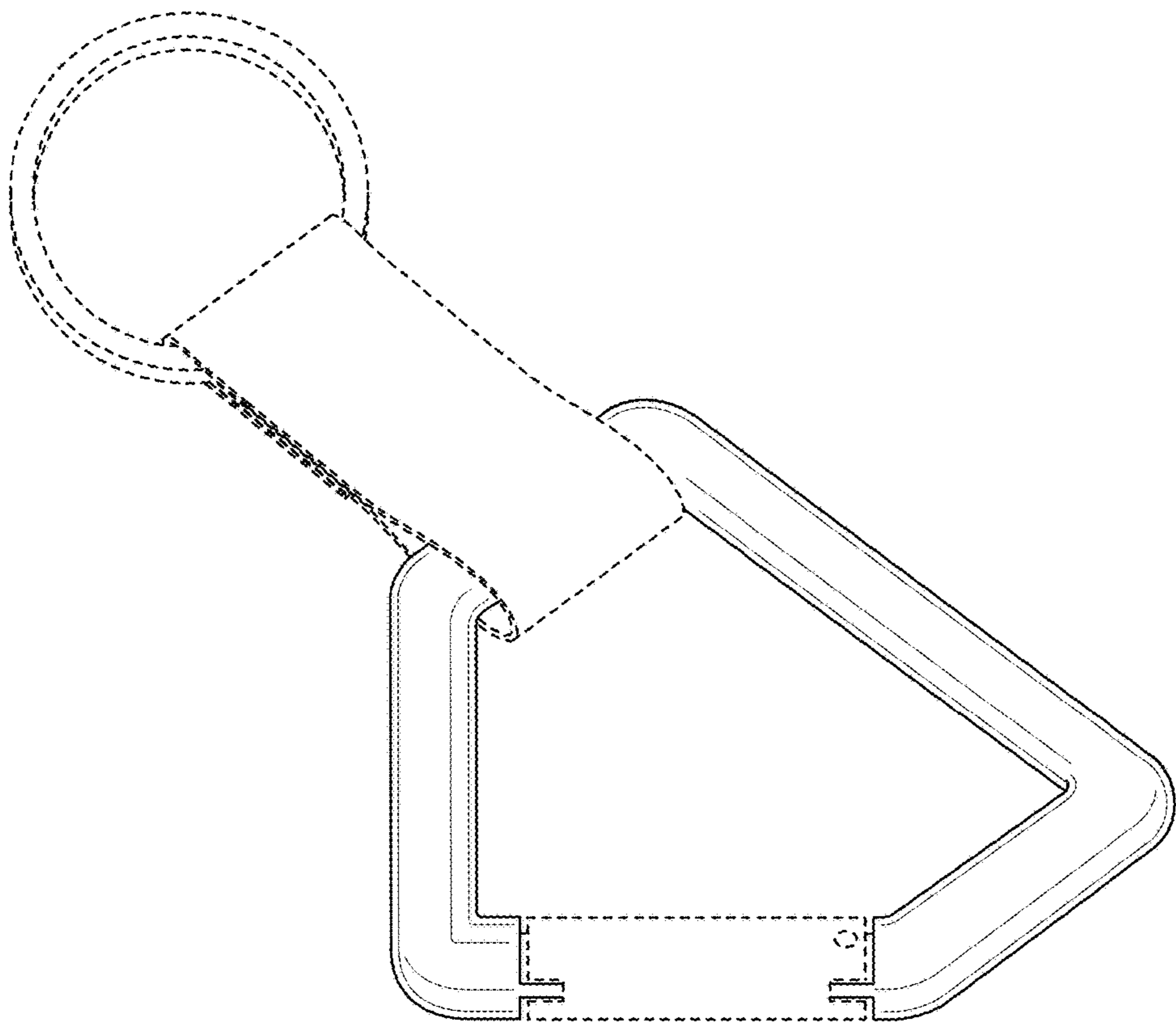


FIG. 1

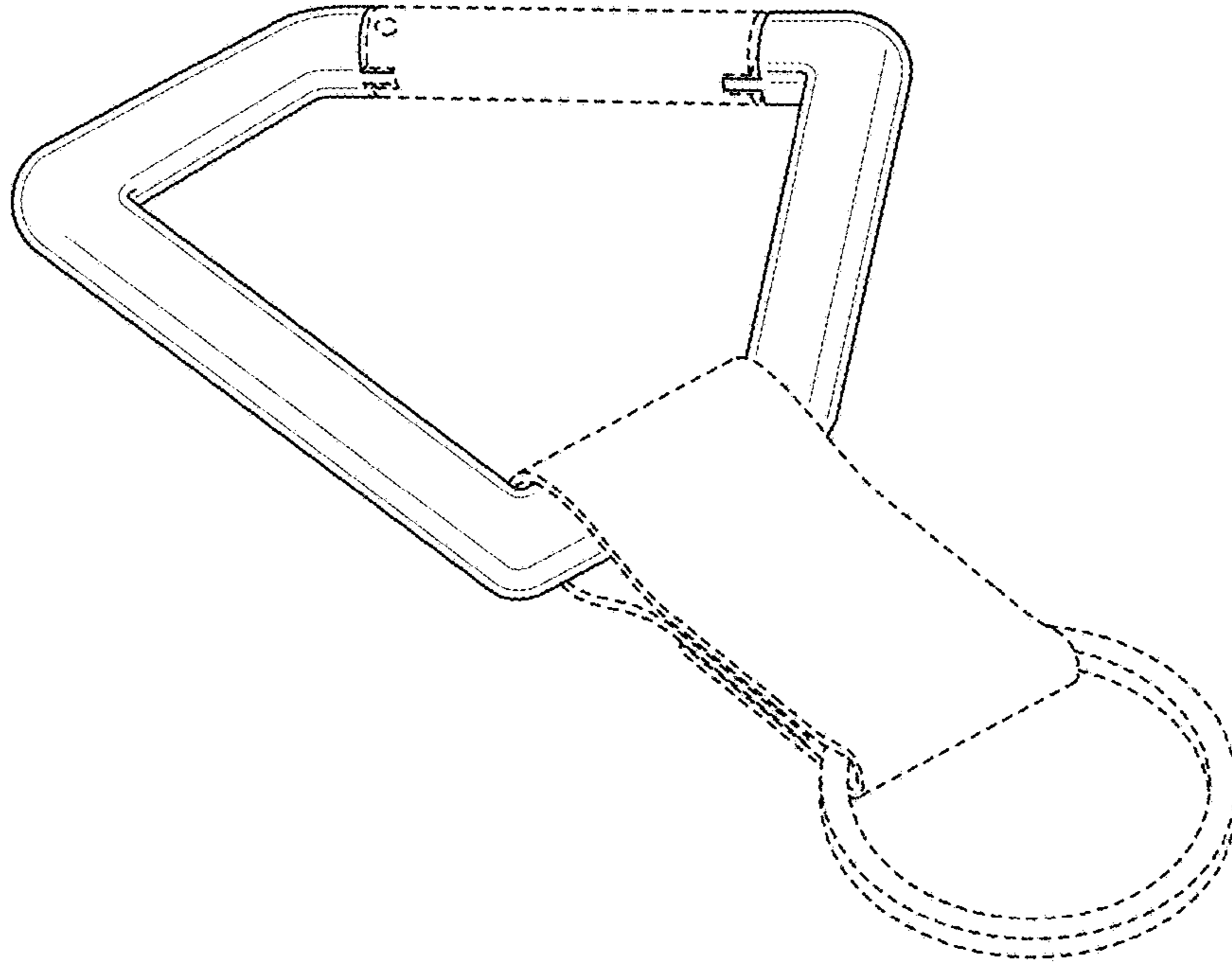


FIG. 2

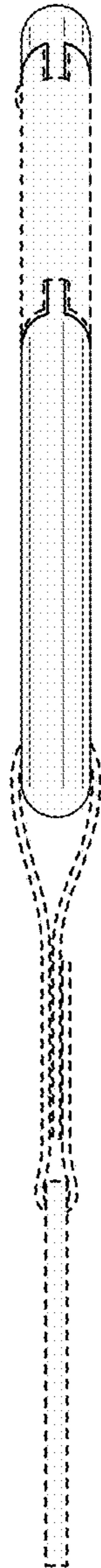


FIG. 3



FIG. 4



FIG. 5

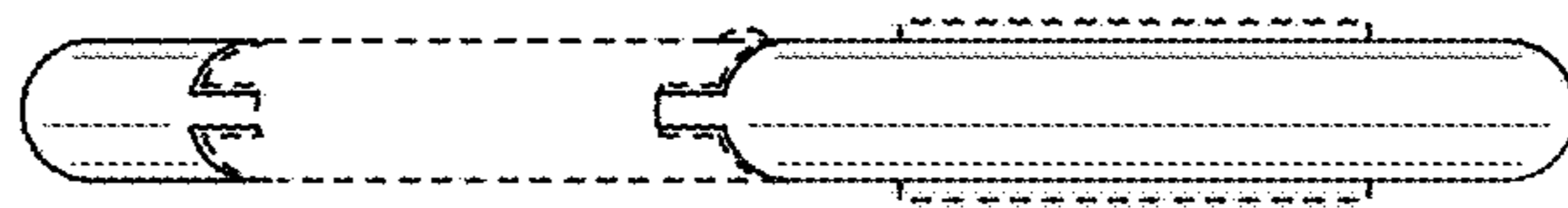


FIG. 6

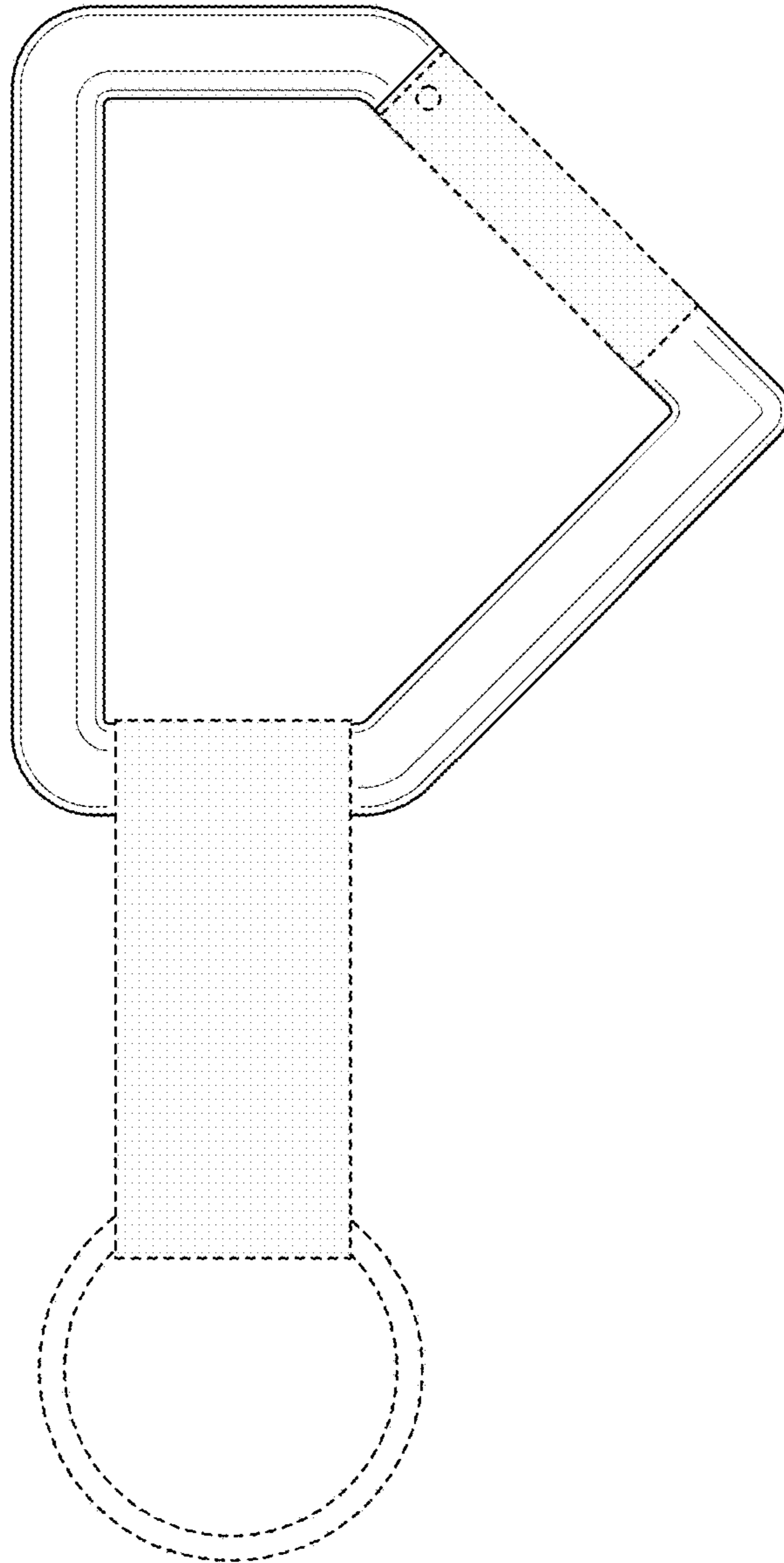


FIG. 7

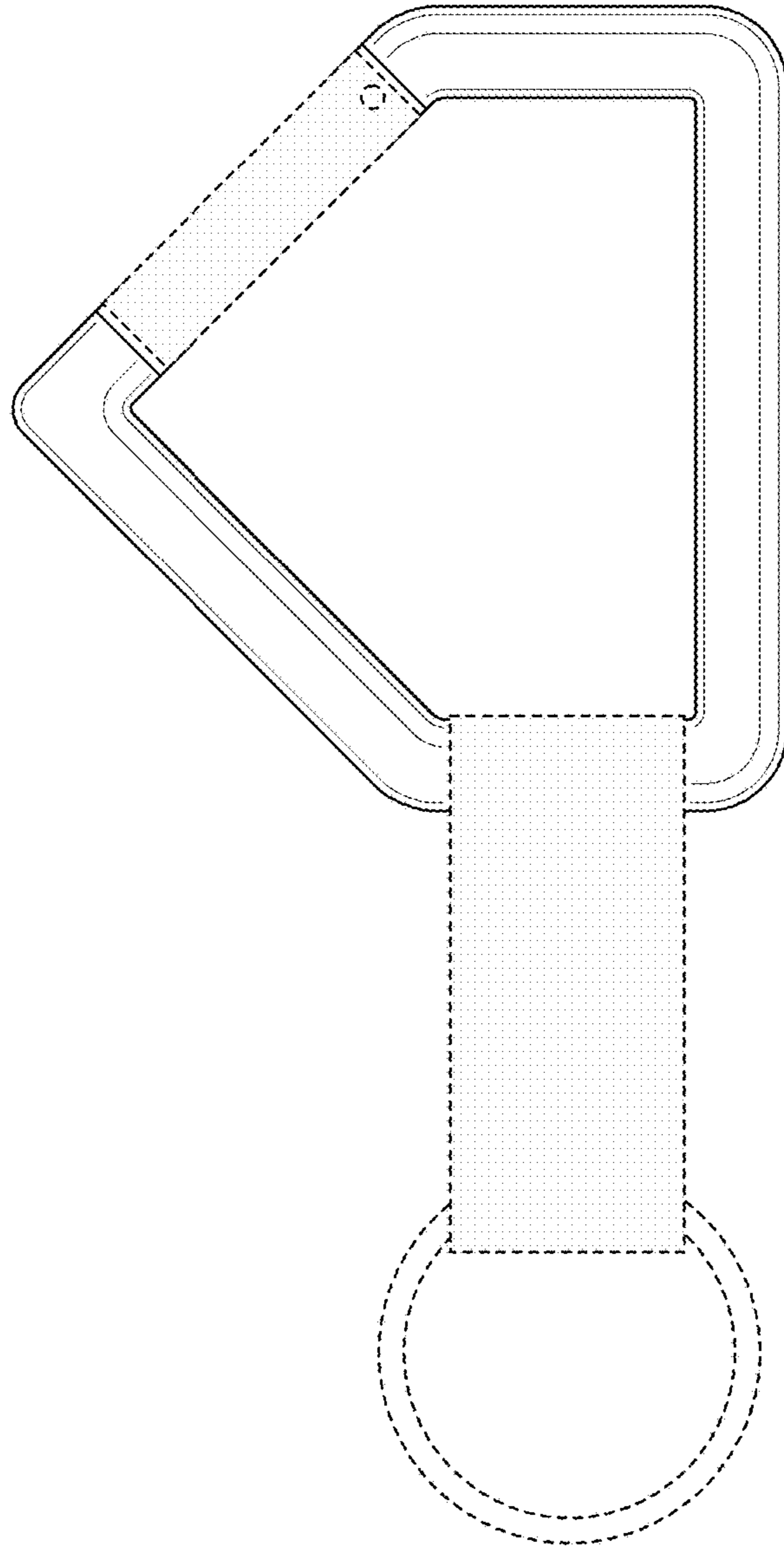


FIG. 8