

US00D844971S

(12) **United States Design Patent** (10) **Patent No.:** **US D844,971 S**
Laurans et al. (45) **Date of Patent:** **** Apr. 9, 2019**

(54) **KEY FOB**

(71) Applicant: **SimpliSafe, Inc.**, Boston, MA (US)

(72) Inventors: **Chad Laurans**, Brookline, MA (US);
Melina Engel, Belmont, MA (US);
Yong Zhao, Medford, MA (US); **Jason Robinson**, Tewksbury, MA (US);
Gregory Wolos, Cambridge, MA (US);
Ian Schon, Brookline, MA (US); **Dirk Ahlgrim**, Boston, MA (US)

(73) Assignee: **SimpliSafe, Inc.**, Boston, MA (US)

(**) Term: **15 Years**

(21) Appl. No.: **29/629,764**

(22) Filed: **Dec. 15, 2017**

(51) **LOC (11) Cl.** **03-01**

(52) **U.S. Cl.**
USPC **D3/207**

(58) **Field of Classification Search**

USPC D3/207-212; 70/456 B, 457, 458, 408,
70/456 R; D13/168; D8/347; D10/104;
D14/496, 411; 206/37.1; D21/604, 605,
D21/656, 658, 659; 24/3.6; D11/11, 79,
D11/81, 82, 87
CPC H04B 1/034; F04B 15/00; E05B 19/00;
E05B 19/04; A44B 15/00; A44B 15/002;
A44B 15/005; A44B 15/007
See application file for complete search history.

(56) **References Cited**

U.S. PATENT DOCUMENTS

964,228 A * 7/1910 Fowler B42D 5/008
281/18
D237,561 S * 11/1975 Kesner D3/207

D251,755 S * 5/1979 Patience D3/208
D435,720 S * 1/2001 Perthou D3/205
D438,373 S * 3/2001 Riley D3/207
D506,056 S * 6/2005 Burns D3/207
8,104,315 B2 * 1/2012 Perthou A44B 15/00
206/38.1
D737,566 S * 9/2015 Gaddis D3/208
D747,603 S * 1/2016 Gaddis D3/208
D790,212 S * 6/2017 Clores D3/208
D793,075 S * 8/2017 Ma D3/207
D826,550 S * 8/2018 Filakousky D3/207

* cited by examiner

Primary Examiner — Ralf Seifert

(74) *Attorney, Agent, or Firm* — Wolf, Greenfield & Sacks, P.C.

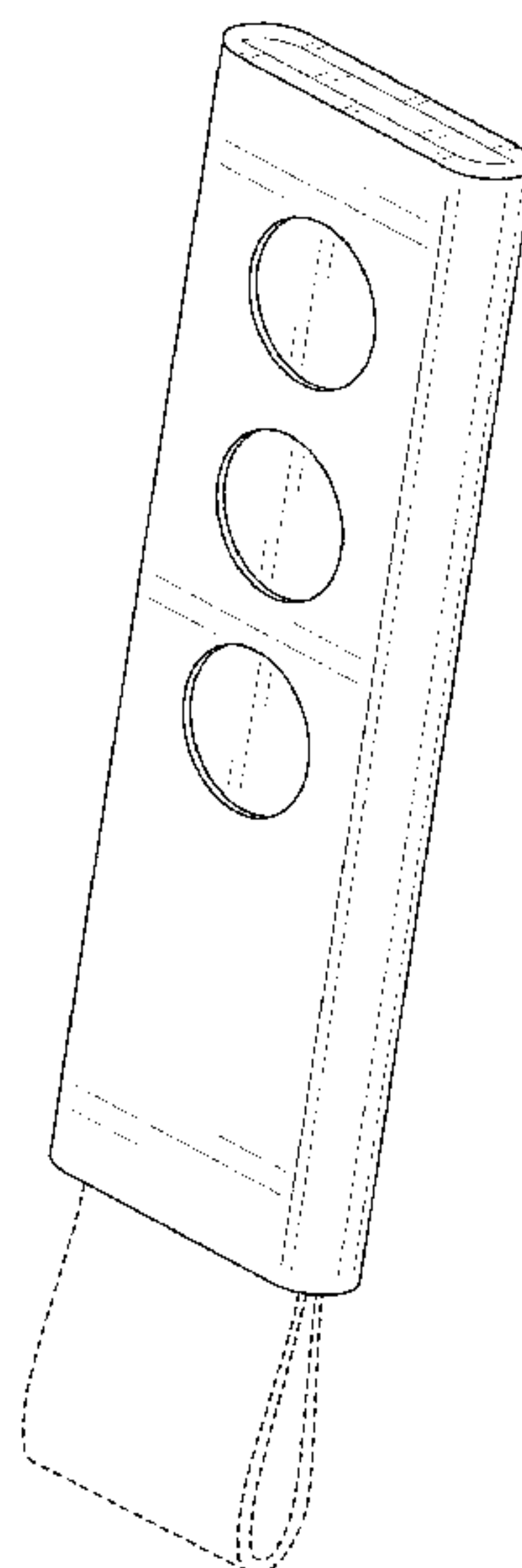
(57) **CLAIM**

The ornamental design for a key fob, as shown and described.

DESCRIPTION

FIG. 1 shows a upper front right perspective view of the key fob;
FIG. 2 shows an lower front right perspective view of the FIG. 1 embodiment;
FIG. 3 shows a front view of the FIG. 1 embodiment;
FIG. 4 shows a right side view of the FIG. 1 embodiment;
FIG. 5 shows a left side view of the FIG. 1 embodiment;
FIG. 6 shows a rear view of the FIG. 1 embodiment;
FIG. 7 shows a top view of the FIG. 1 embodiment; and,
FIG. 8 shows a bottom view of the FIG. 1 embodiment.
Features shown in dashed line form no part of the claimed invention.

1 Claim, 5 Drawing Sheets



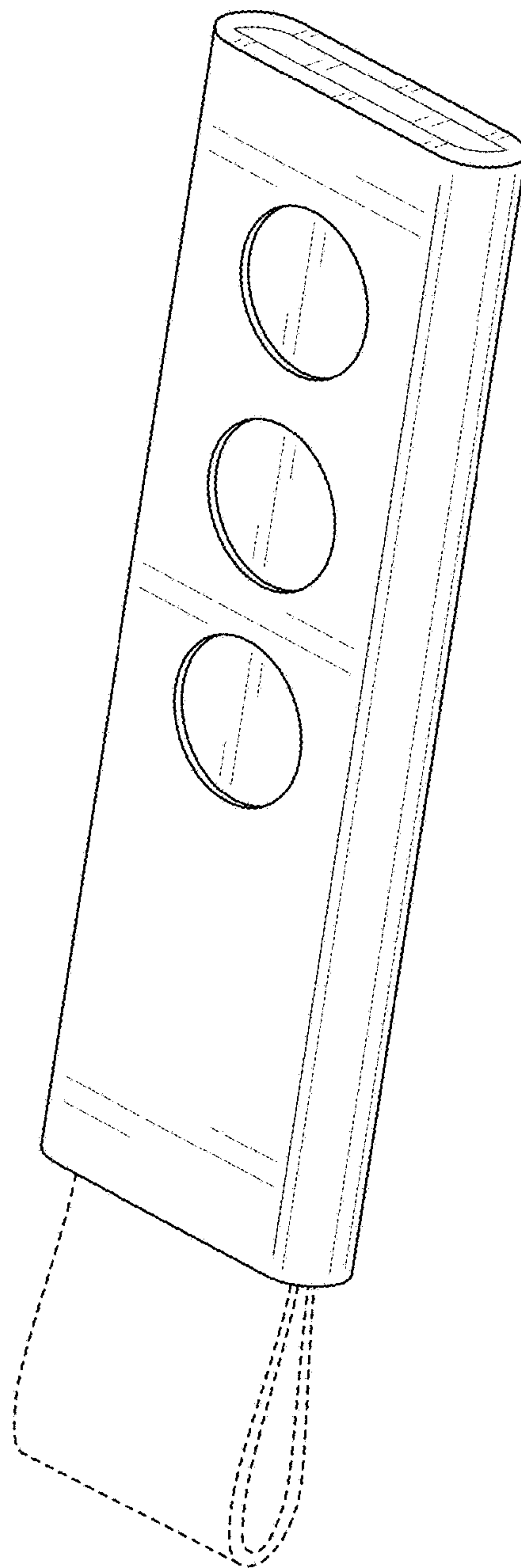


FIG. 1

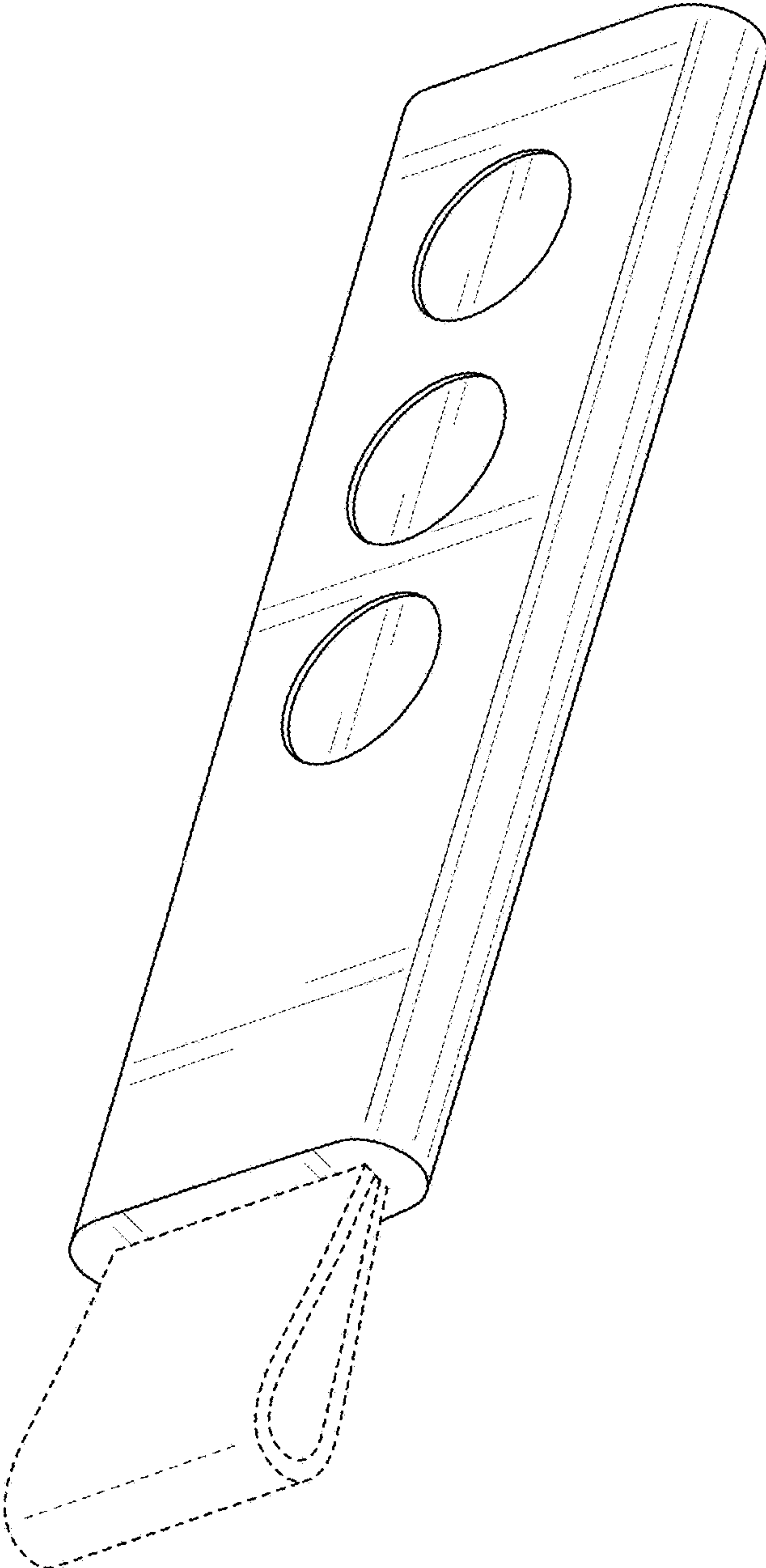


FIG. 2

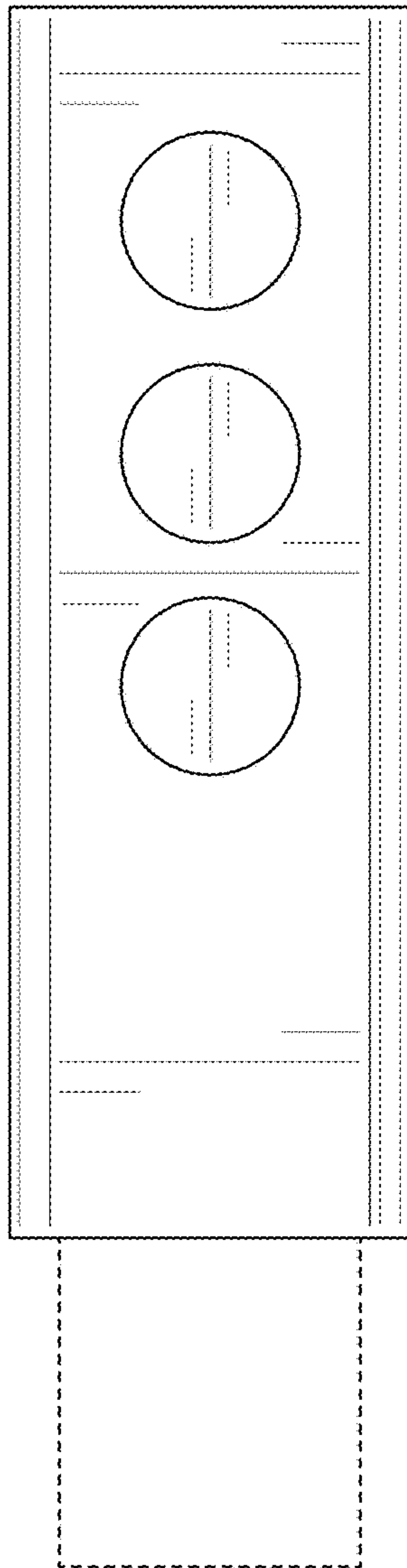


FIG. 3

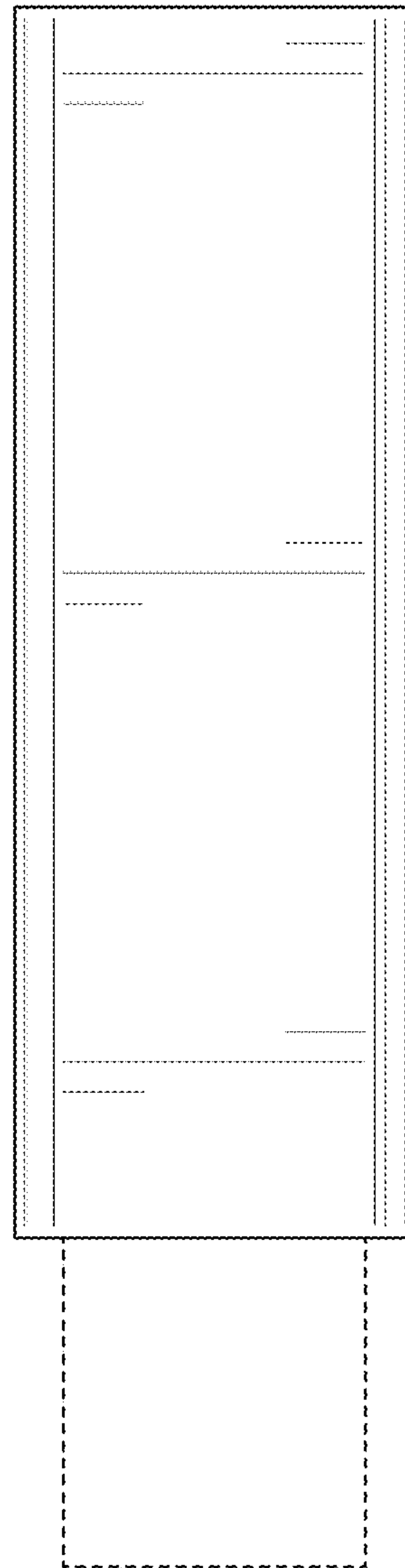


FIG. 4

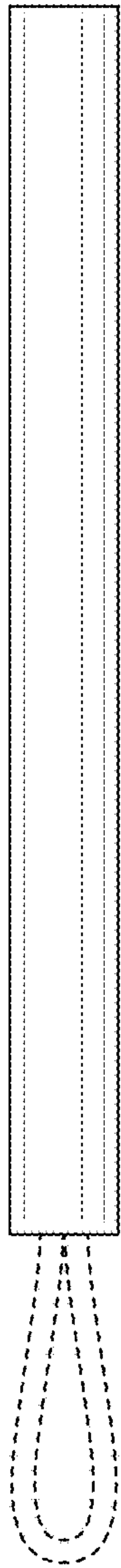


FIG. 5

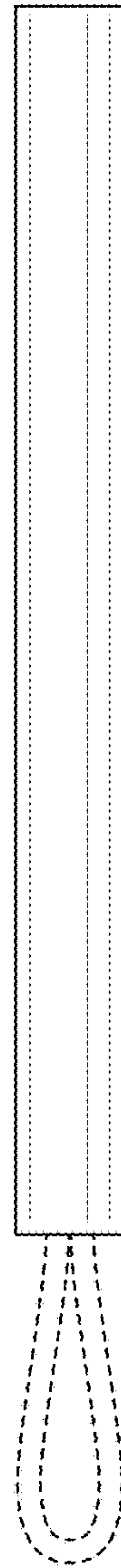


FIG. 6

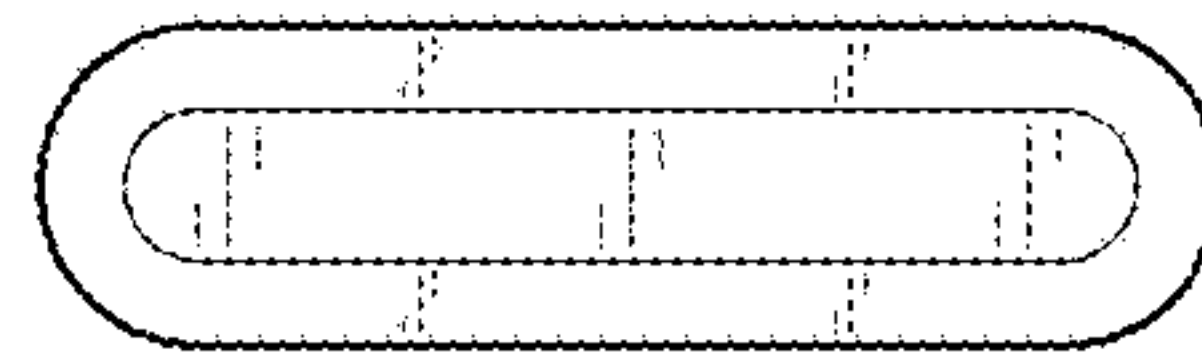


FIG. 7



FIG. 8