



US00D844970S

(12) **United States Design Patent** (10) **Patent No.:** **US D844,970 S**  
**Denton et al.** (45) **Date of Patent:** **\*\* Apr. 9, 2019**

(54) **STETHOSCOPE HOLDER**

(71) Applicants: **Matthew J. Denton**, Weymouth (GB);  
**Nathan L. Castle**, Weymouth (GB)

(72) Inventors: **Matthew J. Denton**, Weymouth (GB);  
**Nathan L. Castle**, Weymouth (GB)

(\*\*) Term: **15 Years**

(21) Appl. No.: **29/604,355**

(22) Filed: **May 17, 2017**

(51) **LOC (11) Cl.** ..... **03-01**

(52) **U.S. Cl.**  
USPC ..... **D3/203.1**

(58) **Field of Classification Search**  
USPC ..... D3/201, 203.1, 203.7, 269; D24/134,  
D24/128, 231; D9/414, 424, 455, 456,  
D9/499  
CPC ..... A45F 5/00; A45F 2200/0575; A61B 7/02;  
A61B 46/10; A61B 50/00; A61B 50/30;  
A61B 50/31; A61F 17/00; B65D 1/36  
See application file for complete search history.

D431,902 S \* 10/2000 Mellin ..... D3/203.1  
D445,185 S \* 7/2001 Najmi ..... D24/134  
6,340,350 B1 \* 1/2002 Simms ..... A61B 5/0002  
600/528  
D455,253 S \* 4/2002 Byrne ..... D3/203.1  
D479,645 S \* 9/2003 Riley ..... D3/203.1  
D579,653 S \* 11/2008 Lim ..... D10/80  
D589,798 S \* 4/2009 Liipola ..... D9/456  
D592,955 S \* 5/2009 Schulz ..... D9/456  
D617,546 S \* 6/2010 Foster ..... D3/203.1  
D638,297 S \* 5/2011 Gelardi ..... D9/455  
D683,950 S \* 6/2013 Ernster ..... D3/203.1  
D723,792 S \* 3/2015 Anderson ..... D3/201  
D782,332 S \* 3/2017 Kim ..... D9/456  
D829,434 S \* 10/2018 Petersen ..... D3/203.1

(Continued)

*Primary Examiner* — John Windmuller  
*Assistant Examiner* — Steven J Czyz  
(74) *Attorney, Agent, or Firm* — Mitchell Law PLLC;  
Matthew W. Mitchell

(57) **CLAIM**

The ornamental design for a stethoscope holder, as shown and described.

**DESCRIPTION**

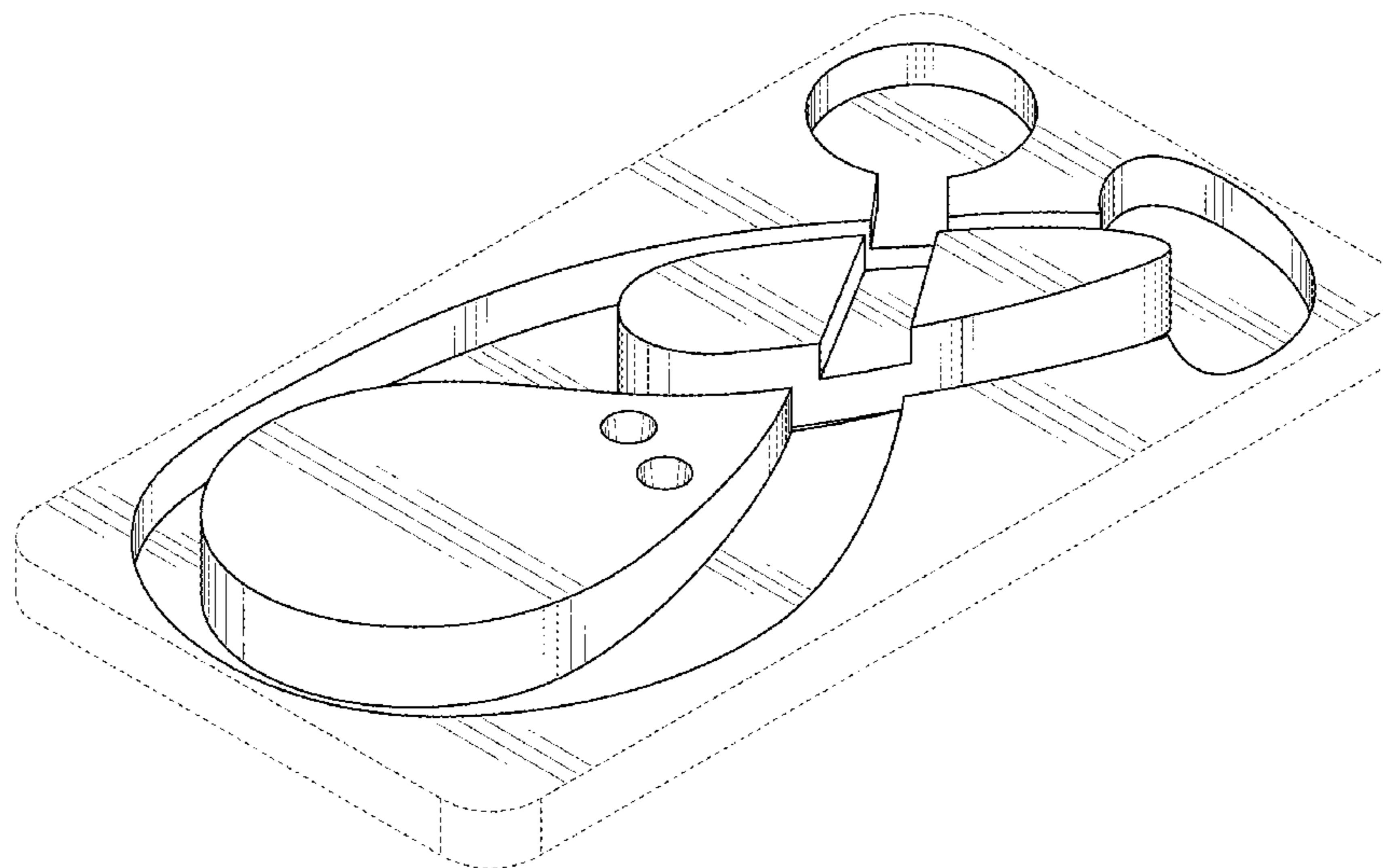
FIG. 1 is a front isometric view of a stethoscope holder of the present invention;  
FIG. 2 is a top view of the invention of FIG. 1;  
FIG. 3 is a side view of the invention of FIG. 1, as seen from the left side of FIG. 2;  
FIG. 4 is a side view of the invention of FIG. 1, as seen from the right side of FIG. 2;  
FIG. 5 is a side view of the invention of FIG. 1, as seen from the top side of FIG. 2; and,  
FIG. 6 is a side view of the invention of FIG. 1, as seen from the bottom side of FIG. 2.  
The broken lines depict portions of the article that form no part of the claimed design.

**1 Claim, 4 Drawing Sheets**

(56) **References Cited**

U.S. PATENT DOCUMENTS

D240,199 S \* 6/1976 Perfect et al. .... D9/456  
D267,628 S \* 1/1983 Driscoll ..... D9/425  
D280,976 S \* 10/1985 Diamond ..... D9/456  
D283,083 S \* 3/1986 Stednitz ..... D3/203.1  
D289,461 S \* 4/1987 Humphries ..... 30/1  
D304,422 S \* 11/1989 Holewinski ..... D9/737  
D304,547 S \* 11/1989 Holewinski ..... D9/737  
D310,563 S \* 9/1990 Greengrass ..... D24/217  
D327,363 S \* 6/1992 Farb ..... D19/75  
5,441,152 A \* 8/1995 Estes ..... B25H 3/006  
206/349  
5,692,657 A \* 12/1997 Kilo ..... A45F 5/02  
181/131  
D419,772 S \* 2/2000 Williams ..... D3/201  
D425,353 S \* 5/2000 Foy ..... D24/134



(56)

**References Cited**

U.S. PATENT DOCUMENTS

D829,551 S \* 10/2018 Akana ..... D9/455  
D829,565 S \* 10/2018 Safdie ..... D9/737  
D829,566 S \* 10/2018 Safdie ..... D9/737

\* cited by examiner

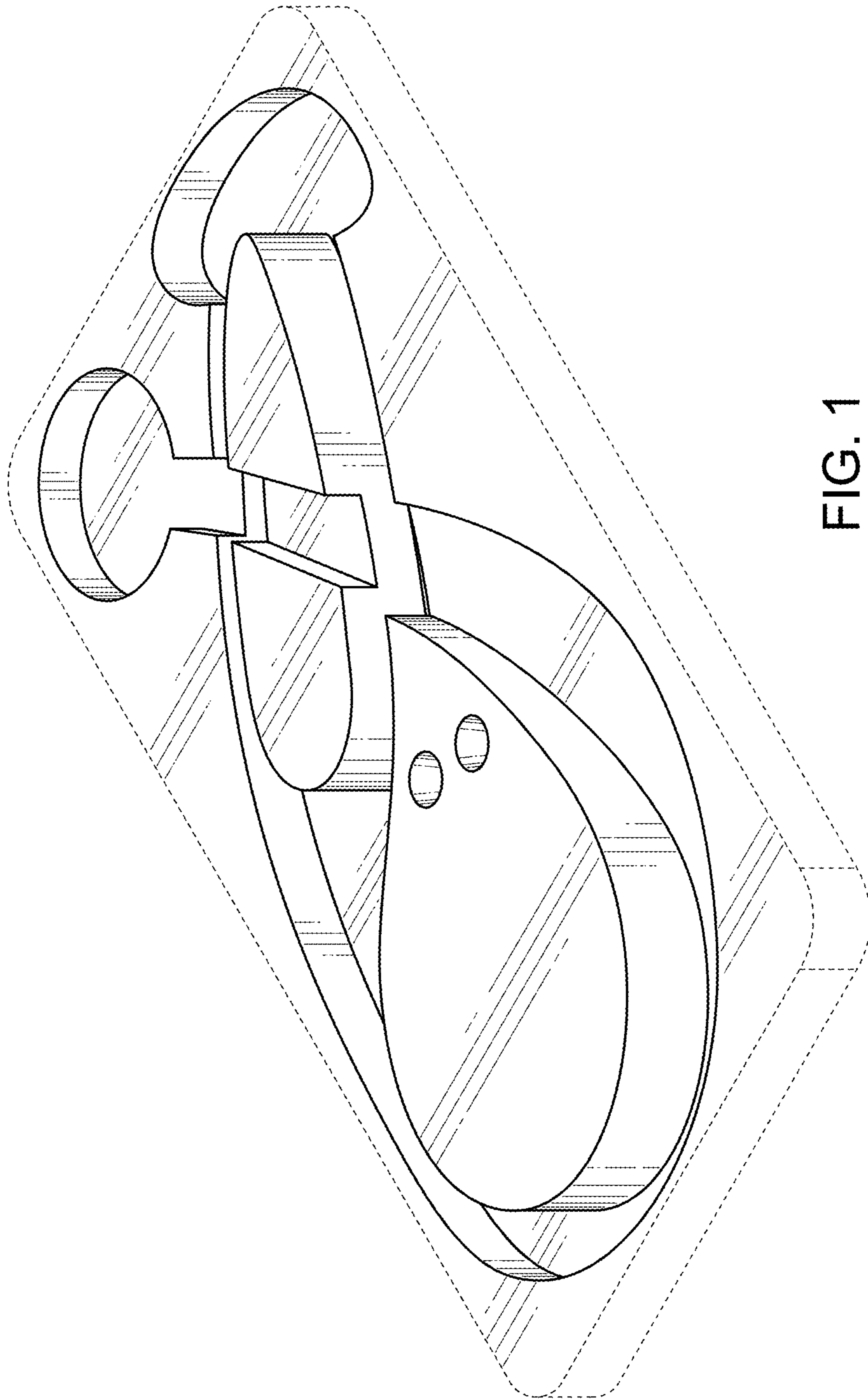


FIG. 1

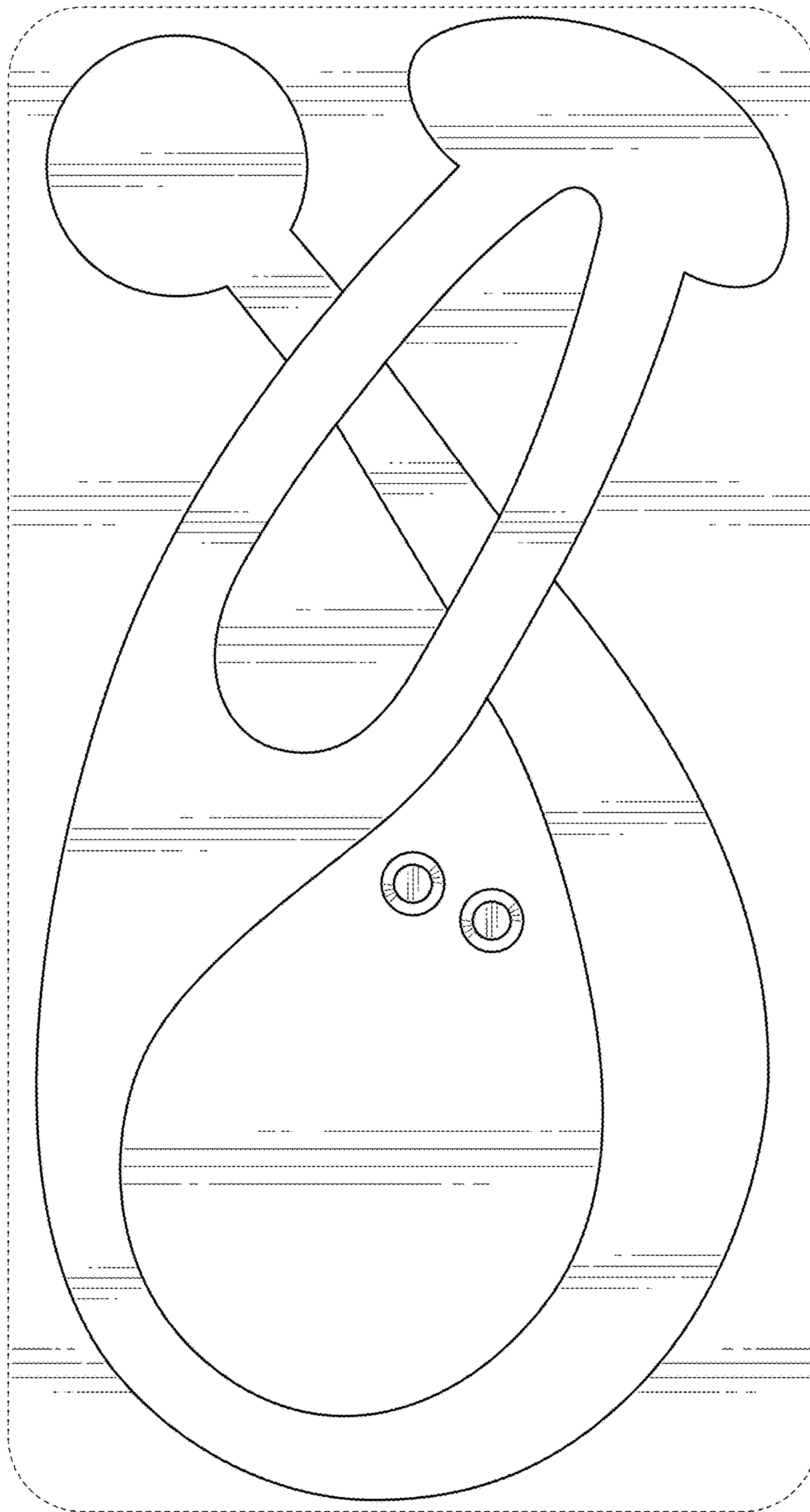


FIG. 2

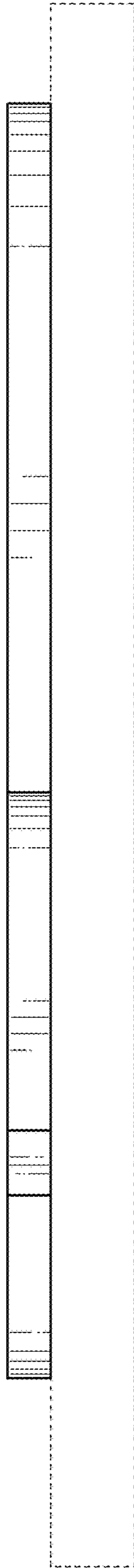


FIG. 3

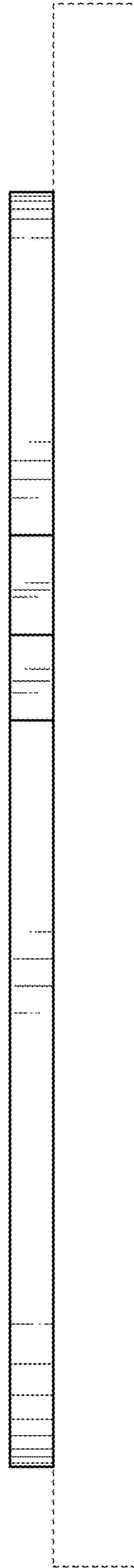


FIG. 4

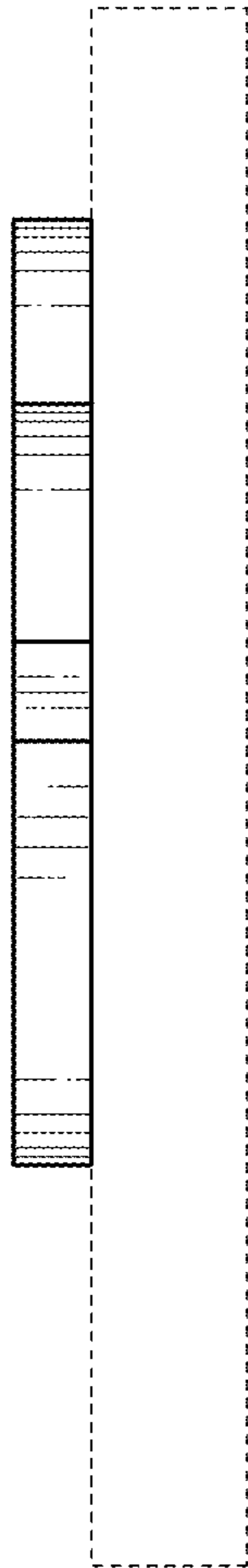


FIG. 5

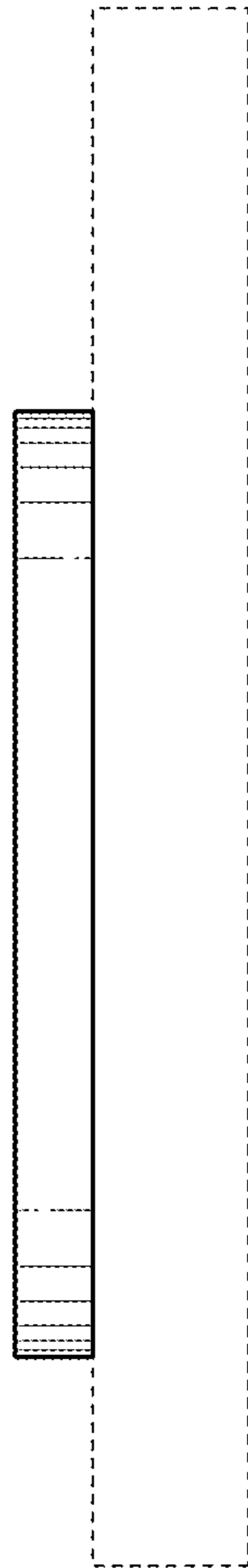


FIG. 6