



US00D844968S

(12) **United States Design Patent** (10) **Patent No.:** **US D844,968 S**  
**Papenfuss** (45) **Date of Patent:** **\*\* Apr. 9, 2019**

(54) **KNITTING NEEDLE** 2,230,495 A \* 2/1941 Kohlmann ..... D04B 3/00  
140/111  
(71) Applicant: **William Prym GmbH & Co. KG,** 2,258,925 A 10/1941 Burg et al.  
Stolberg (DE) 2,271,477 A 1/1942 Davis et al.  
D133,543 S 8/1942 Megarry et al.  
(72) Inventor: **Andreas Papenfuss,** Weimar (DE) 2,341,403 A 2/1944 Williams et al.  
(Continued)

(73) Assignee: **William Prym GmbH & Co. KG,**  
Stolberg (DE)

(\*\*) Term: **15 Years**

(21) Appl. No.: **29/639,899**

(22) Filed: **Mar. 9, 2018**

**FOREIGN PATENT DOCUMENTS**

DE 1609910 U 7/1950  
DE 825299 B 12/1951  
(Continued)

**OTHER PUBLICATIONS**

International Search Report in international application No. PCT/  
EP2016/070601 dated Oct. 28, 2016.  
(Continued)

*Primary Examiner* — John Windmuller  
*Assistant Examiner* — Steven J Czyz  
(74) *Attorney, Agent, or Firm* — Oppedahl Patent Law  
Firm LLC

**Related U.S. Application Data**

(62) Division of application No. 29/592,054, filed on Jan.  
26, 2017, now Pat. No. Des. 825,174.

(30) **Foreign Application Priority Data**

Aug. 9, 2016 (EM) ..... 003 335 363

(51) **LOC (11) Cl.** ..... **03-01**

(52) **U.S. Cl.**  
USPC ..... **D3/28**

(58) **Field of Classification Search**  
USPC ..... D3/18, 20, 28; D15/66, 78; D24/130  
CPC ..... D04B 3/00; D04B 3/02; D05B 85/00  
See application file for complete search history.

(56) **References Cited**

**U.S. PATENT DOCUMENTS**

1,327,918 A 1/1820 Kelsey  
D54,688 S 3/1920 Schoettel et al.  
D99,273 S 4/1936 Ellis et al.  
2,096,483 A \* 10/1937 Cook et al. .... D04B 17/04  
57/260  
2,133,431 A \* 10/1938 Craft et al. .... D04B 17/04  
66/117

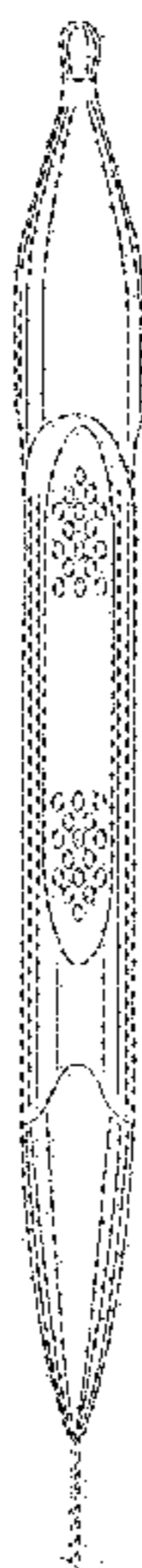
(57) **CLAIM**

The ornamental design for a knitting needle, as shown and  
described.

**DESCRIPTION**

FIG. 1 is a front view of the new design for a knitting needle,  
FIG. 2 is a left side view of FIG. 1,  
FIG. 3 is a right side view of FIG. 1,  
FIG. 4 is a back view of FIG. 1,  
FIG. 5 is a top view of FIG. 1,  
FIG. 6 is a bottom view of FIG. 1,  
FIG. 7 is a front left perspective view of FIG. 1; and,  
FIG. 8 is a back right perspective view of FIG. 1.  
The broken lines depict portions of the article that form no  
part of the claimed design.

**1 Claim, 2 Drawing Sheets**



(56)

References Cited

U.S. PATENT DOCUMENTS

2,444,102 A 6/1948 Kendig  
 2,456,718 A 12/1948 Marinsky et al.  
 2,503,576 A 4/1950 Baylin et al.  
 2,591,836 A 4/1952 Landon  
 2,668,429 A \* 2/1954 Barsky et al. .... D04B 3/02  
 66/117  
 2,720,095 A 10/1955 Ernst et al.  
 3,280,595 A \* 10/1966 Linstead ..... D04B 3/00  
 66/117  
 4,195,496 A \* 4/1980 Vasquez ..... D04B 3/02  
 66/117  
 D269,734 S 7/1983 Okada  
 D271,062 S 10/1983 Okada  
 4,553,410 A \* 11/1985 Okada ..... D04B 3/02  
 66/117  
 4,607,505 A \* 8/1986 Dunker ..... D04B 3/02  
 66/1 A  
 4,646,543 A \* 3/1987 Okada ..... D04B 3/02  
 66/117  
 4,693,094 A \* 9/1987 Kahn ..... D04B 3/02  
 66/117  
 D298,698 S 11/1988 Okada  
 D313,499 S 1/1991 Pollock  
 D362,539 S 9/1995 Vigil  
 D379,515 S 5/1997 Kuehn  
 D386,899 S 12/1997 Carroll  
 5,720,187 A \* 2/1998 Matuo ..... D04B 3/02  
 66/117  
 D404,907 S 2/1999 Vicente  
 D413,431 S 9/1999 Allender  
 D434,216 S 11/2000 Collingham  
 6,668,597 B2 12/2003 Robinson  
 6,983,627 B1 \* 1/2006 Eley-Holden-Sotnik .....  
 D04B 3/02  
 66/117  
 D526,477 S 8/2006 Jost  
 7,114,354 B1 \* 10/2006 Dremann ..... D04B 3/02  
 66/118  
 7,117,693 B1 \* 10/2006 Nova ..... D04B 3/02  
 66/117  
 D545,562 S 7/2007 Feller  
 D571,098 S 6/2008 Jones  
 D599,542 S 9/2009 Hoffman  
 D604,500 S 11/2009 Buday  
 D614,395 S 4/2010 DeGrazia  
 D615,747 S \* 5/2010 Lindahl ..... D3/28  
 7,874,181 B1 \* 1/2011 Lindahl ..... D04B 3/02  
 66/117  
 D634,783 S \* 3/2011 Papenfuss ..... D19/179  
 D735,469 S \* 8/2015 Rastogi ..... D3/28  
 D735,470 S 8/2015 Rastogi  
 D735,776 S 8/2015 Rastogi

D739,136 S 9/2015 Rastogi  
 D767,127 S 9/2016 de Beer  
 D782,181 S 3/2017 Rastogi  
 D825,174 S \* 8/2018 Papenfuss ..... D3/18  
 2003/0121291 A1 7/2003 Robinson  
 2010/0024488 A1 2/2010 Zeleny  
 2010/0218561 A1 9/2010 Devagnanam  
 2011/0197636 A1 8/2011 Selter  
 2012/0118021 A1 5/2012 Zheng  
 2012/0296465 A1 11/2012 Felice  
 2015/0143854 A1 5/2015 Defay  
 2015/0240398 A1 8/2015 Selter  
 2018/0023227 A1 1/2018 Mantione  
 2018/0216265 A1 \* 8/2018 Papenfuss ..... D04B 3/02

FOREIGN PATENT DOCUMENTS

DE 1686720 U 11/1954  
 DE 102015115278 A1 3/2017  
 JP S5513965 U 1/1980  
 JP S62182986 U 11/1987  
 KR 850003106 Y1 12/1985  
 WO 2017042084 A1 3/2017

OTHER PUBLICATIONS

English Translation of the Written Opinion of the International Searching Authority in international application No. PCT/EP2016/070601, dated Oct. 28, 2016.  
 Applicant disclosure at trade fair. Name of trade fair: h+h cologne. Location of trade fair: Cologne, Germany. Dates of trade fair: Mar. 18, 2016-Mar. 20, 2016. Picture of booth at trade fair is attached. Applicant distributed brochure at trade fair. Name of trade fair: h+h cologne. Location of trade fair: Cologne, Germany. Dates of trade fair: Mar. 18, 2016-Mar. 20, 2016. Brochure attached.  
 Applicant showed video at trade fair. Name of trade fair: h+h cologne. Location of trade fair: Cologne, Germany. Dates of trade fair: Mar. 18, 2016-Mar. 20, 2016. url of video shown at trade fair: <https://www.youtube.com/watch?v=UFy1PomtxMM&index=14&list=PL3DD0FF876A8ECF3F>.  
 Applicant created website for trade fair. Name of trade fair: h+h cologne. Location of trade fair: Cologne, Germany. Dates of trade fair: Mar. 18, 2016-Mar. 20, 2016. url of website: [www.prym-ergonomics.com](http://www.prym-ergonomics.com).  
 Applicant distributed samples to field workers at trade fair. Name of trade fair: h+h cologne. Location of trade fair: Cologne, Germany. Dates of trade fair: Mar. 18, 2016-Mar. 20, 2016.  
 Applicant sales. Dates of sales: Jan. 2017. Locations sales were made to: Germany, Switzerland, France, Denmark, Netherlands, Finland, Sweden, Italy, United Kingdom, Norway, Austria, Belgium, Luxemburg, Aland.

\* cited by examiner

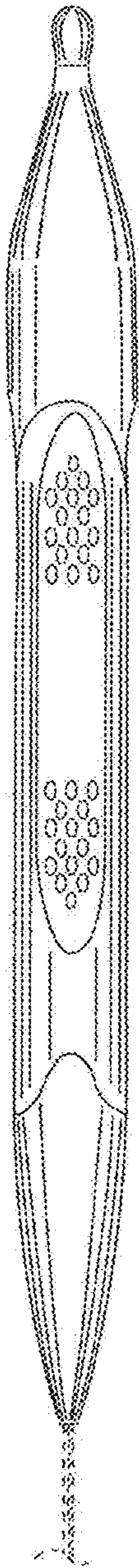


Fig. 1

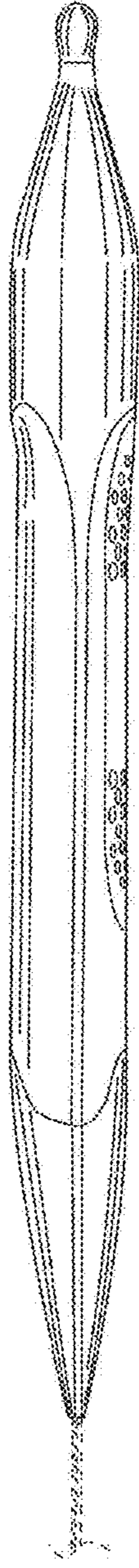


Fig. 2

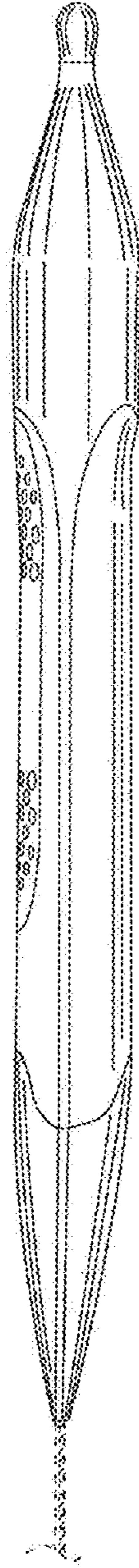


Fig. 3

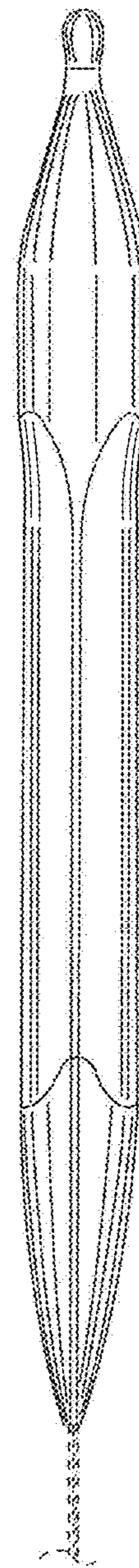


Fig. 4

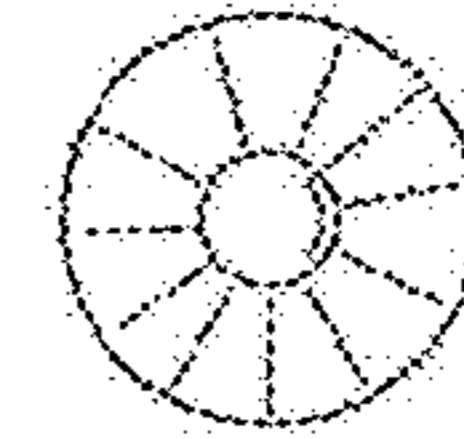


Fig. 5

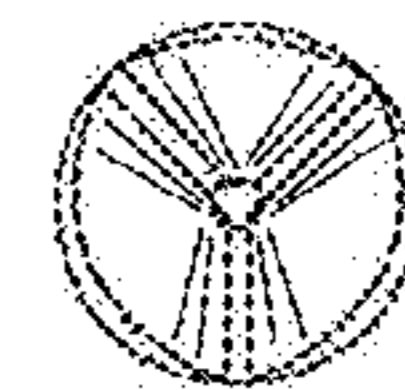


Fig. 6

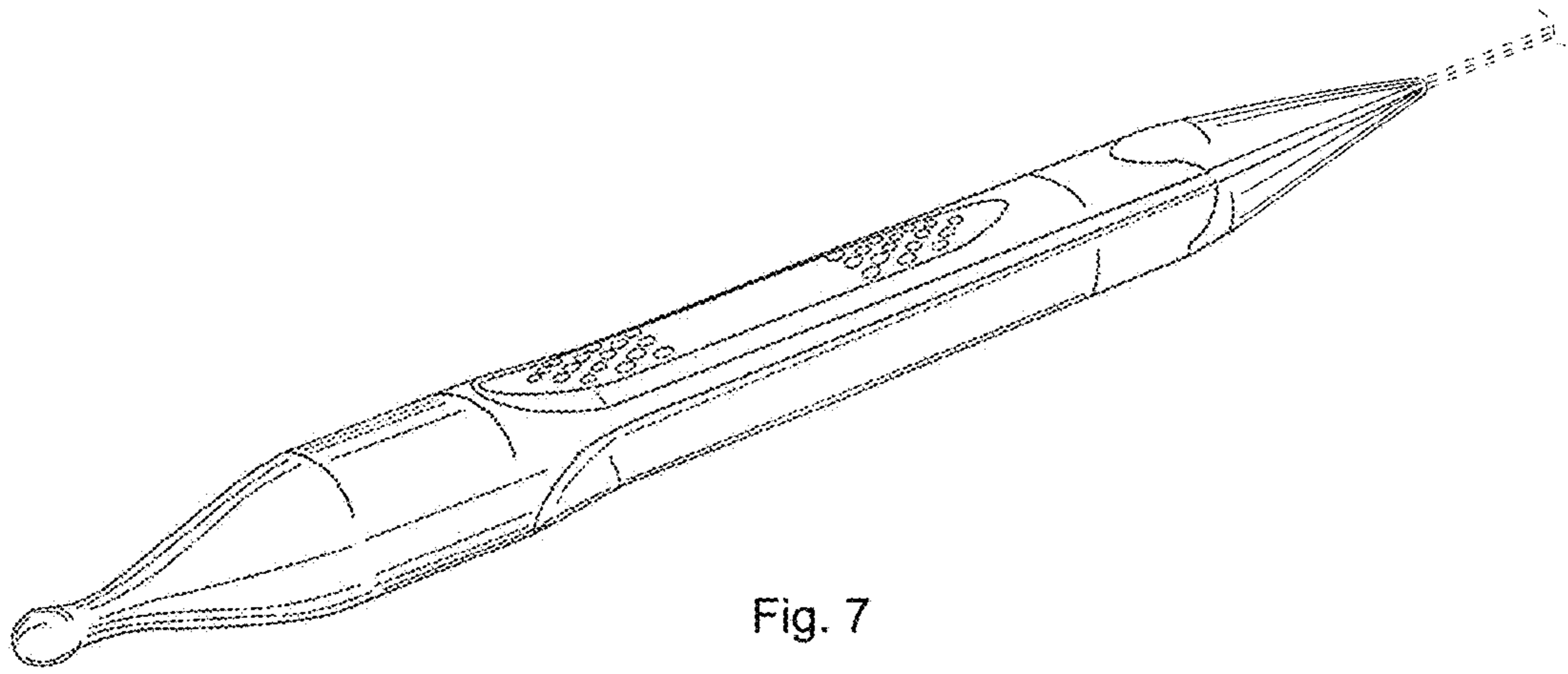


Fig. 7

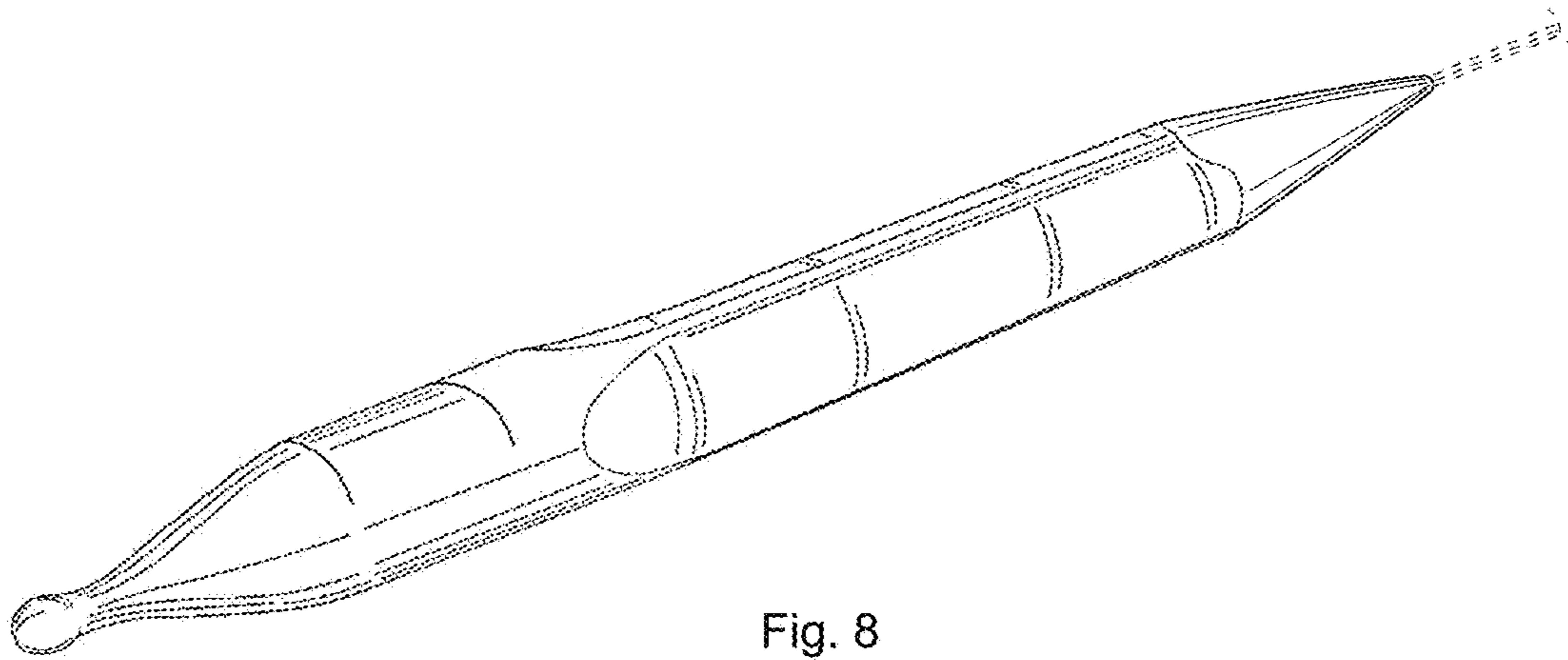


Fig. 8