



US00D844962S

(12) **United States Design Patent**  
**Russ**

(10) **Patent No.:** **US D844,962 S**

(45) **Date of Patent:** **\*\* Apr. 9, 2019**

(54) **BICYCLE SHOE CLEAT**

(71) Applicant: **TREK BICYCLE CORPORATION**,  
Waterloo, WI (US)

(72) Inventor: **Kyle Russ**, Madison, WI (US)

(73) Assignee: **Trek Bicycle Corporation**, Waterloo,  
WI (US)

(\*\*) Term: **15 Years**

(21) Appl. No.: **29/571,456**

(22) Filed: **Jul. 18, 2016**

(51) **LOC (11) Cl.** ..... **02-04**

(52) **U.S. Cl.**  
USPC ..... **D2/962**

(58) **Field of Classification Search**

USPC ..... D2/962, 946, 906, 954, 947, 951, 960,  
D2/959; 36/7.6, 64, 124, 132, 59 R, 62,  
36/66, 113; D21/768, 771; D15/24;  
D12/608

CPC ..... A43C 15/068; A43C 15/09; A43C 15/06;  
A43C 15/066; A43C 15/061; A43C  
15/10; A43C 11/00; A43C 13/04; A43C  
15/02; A43C 15/065; A43C 15/161; A43C  
19/00; A43C 7/00; A43C 15/063; A63C  
13/003; A43B 5/02; A43B 13/26; A43B  
5/0423

See application file for complete search history.

(56) **References Cited**

**U.S. PATENT DOCUMENTS**

D379,630 S \* 6/1997 Brockway ..... D15/29  
D532,960 S \* 12/2006 Pellerin ..... D2/962  
D583,542 S \* 12/2008 Gerber ..... D2/946  
D617,817 S \* 6/2010 Brockway ..... D15/20  
8,215,035 B2 \* 7/2012 Mills ..... A43B 3/0068  
36/59 R  
D718,794 S \* 12/2014 Brockway ..... D15/21  
9,314,065 B2 \* 4/2016 Auger ..... A43B 5/02  
D779,803 S \* 2/2017 Lee ..... D2/951

D792,076 S \* 7/2017 Terrell ..... A43C 15/161  
D2/962  
2005/0097783 A1 \* 5/2005 Mills ..... A43B 3/0068  
36/126  
2013/0067771 A1 \* 3/2013 Minami ..... A43B 13/223  
36/103

(Continued)

**OTHER PUBLICATIONS**

XC9 S-Phyre , no date available, [online], [site visited Sep. 11,  
2017]. Retrieved from <url:http://www.shimano-lifestylegear.com/  
us/fw/products/sphyre/18ss\_002xc9.php?pSccontents Pro>.\*

*Primary Examiner* — Jeffrey D Asch

*Assistant Examiner* — Tracey J Bell

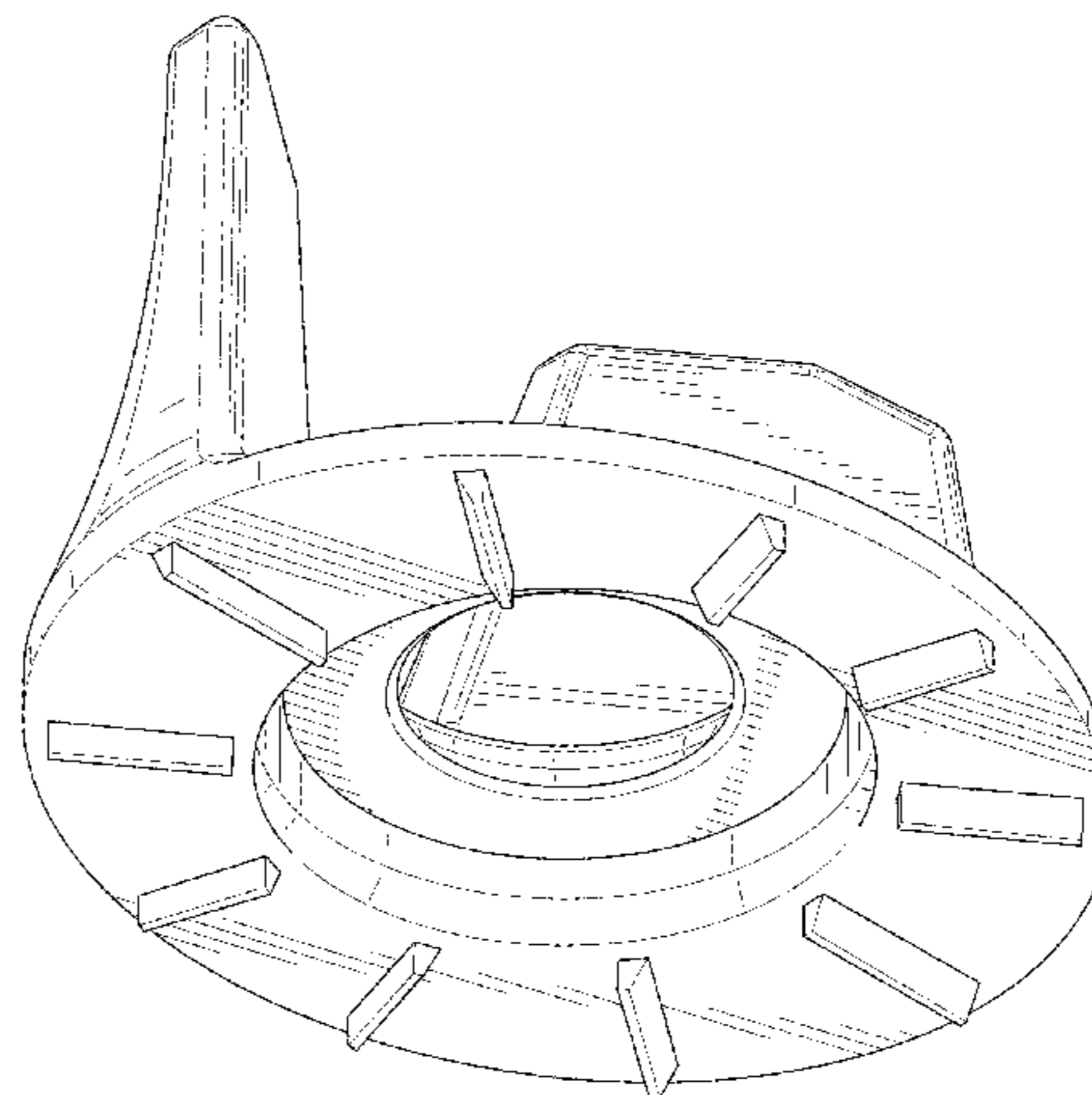
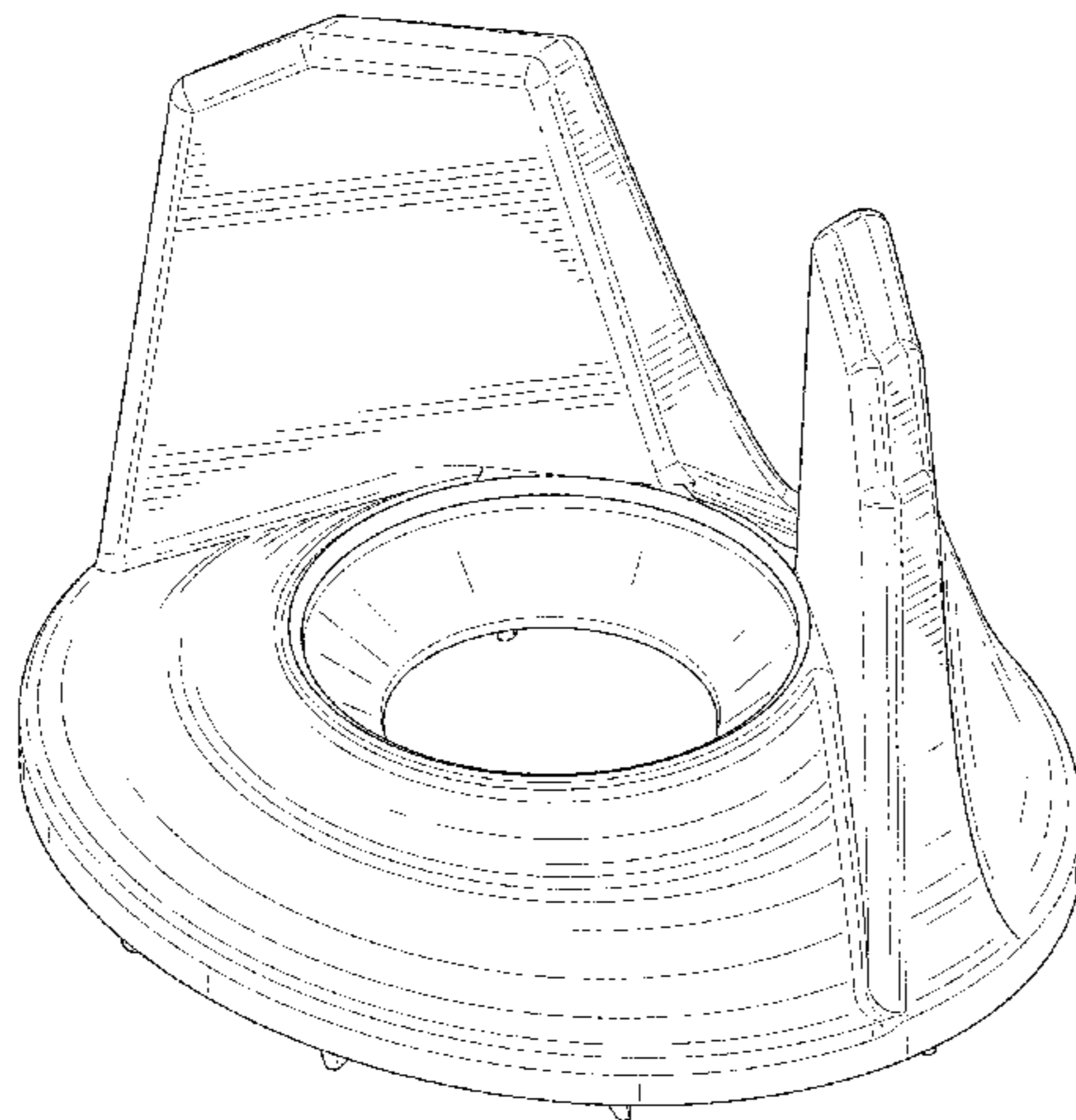
(57) **CLAIM**

The ornamental design for a bicycle shoe cleat, as shown  
and described.

**DESCRIPTION**

FIG. 1 is a bottom, rear, right perspective view of a bicycle  
shoe cleat showing my new design;  
FIG. 2 is a top, rear, left perspective view thereof;  
FIG. 3 is a rear view thereof;  
FIG. 4 is a front view thereof;  
FIG. 5 is a right view thereof;  
FIG. 6 is a left view thereof;  
FIG. 7 is a bottom view thereof;  
FIG. 8 is a top view thereof;  
FIG. 9 is a front view thereof, shown in a position of use on  
a shoe;  
FIG. 10 is a left view thereof, shown in a position of use on  
the shoe; and,  
FIG. 11 is a left, front, top view thereof, shown in a position  
of use on the shoe.  
The broken line showing of the shoe is for the purpose of  
illustrating the bicycle shoe cleat in a position of use. The  
broken lines form no part of the claimed design.

**1 Claim, 10 Drawing Sheets**



(56)

**References Cited**

U.S. PATENT DOCUMENTS

2013/0318824 A1\* 12/2013 Auger ..... A43B 3/0036  
36/88  
2016/0120265 A1\* 5/2016 Cavaliere ..... A43C 15/161  
36/134  
2016/0198792 A1\* 7/2016 Chen ..... A43B 5/14  
36/31  
2016/0286904 A1\* 10/2016 Bauduin ..... A43B 13/223  
2017/0188662 A1\* 7/2017 Baucom ..... A43C 15/161

\* cited by examiner

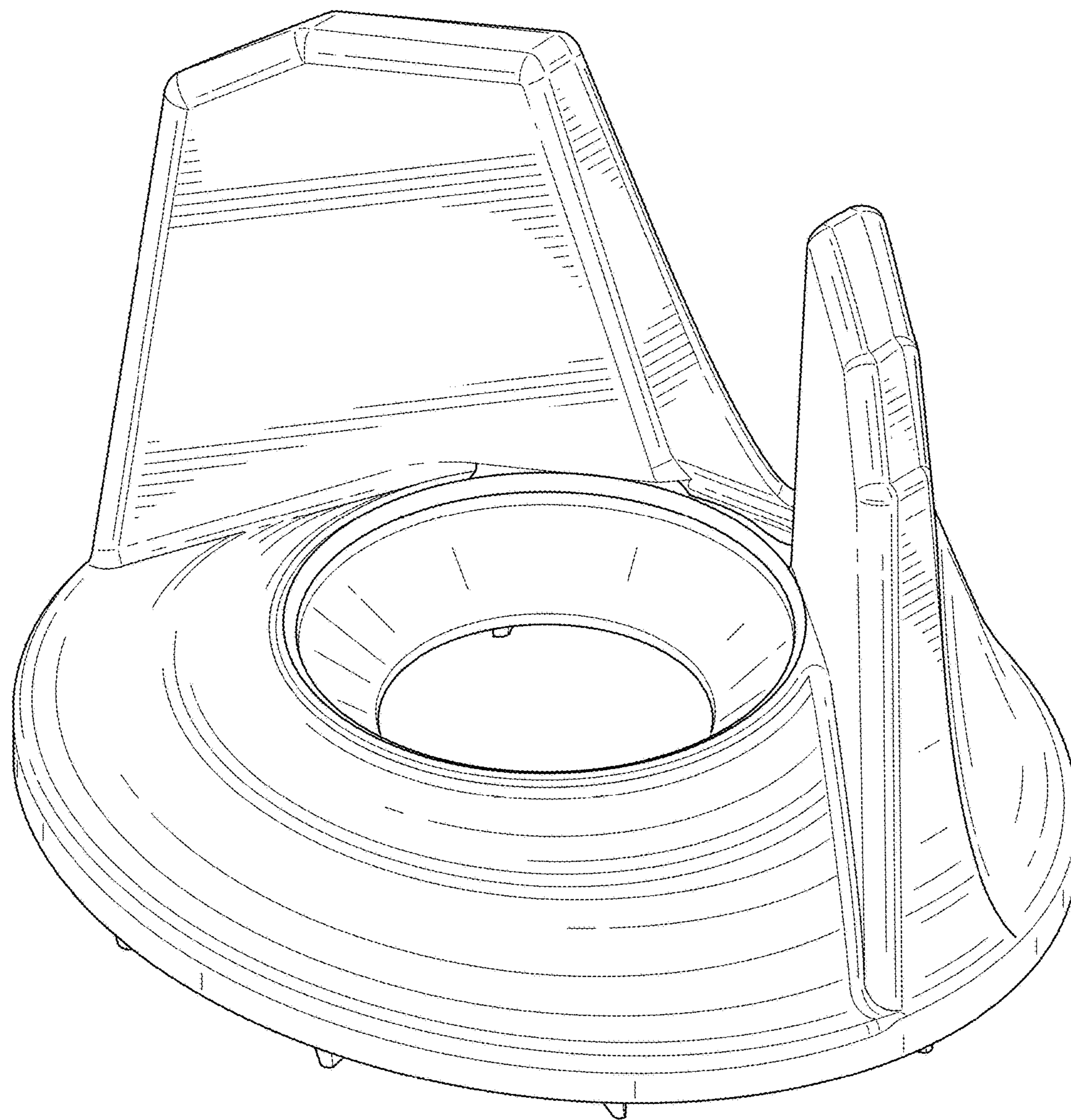


FIG. 1



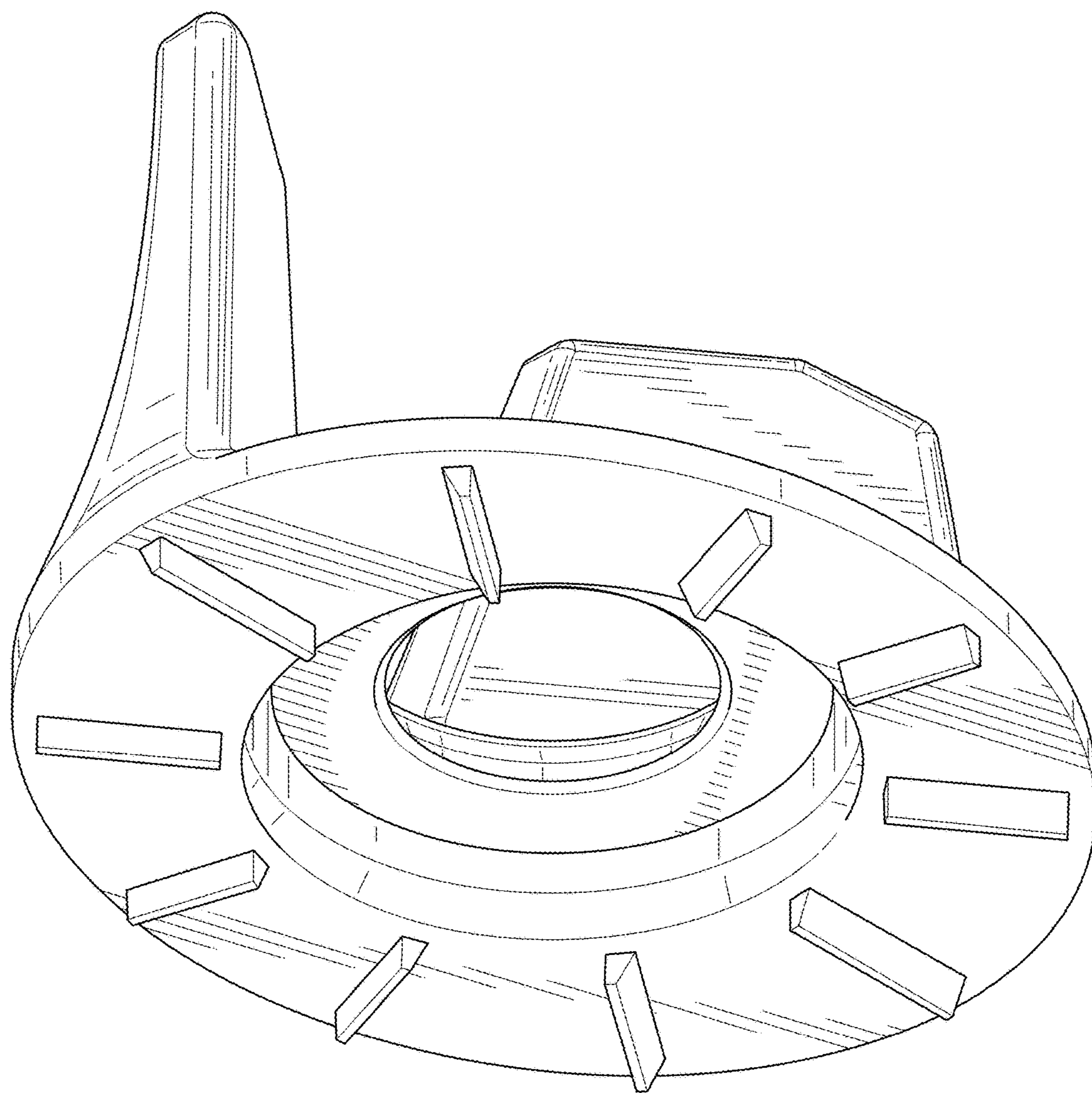


FIG. 2

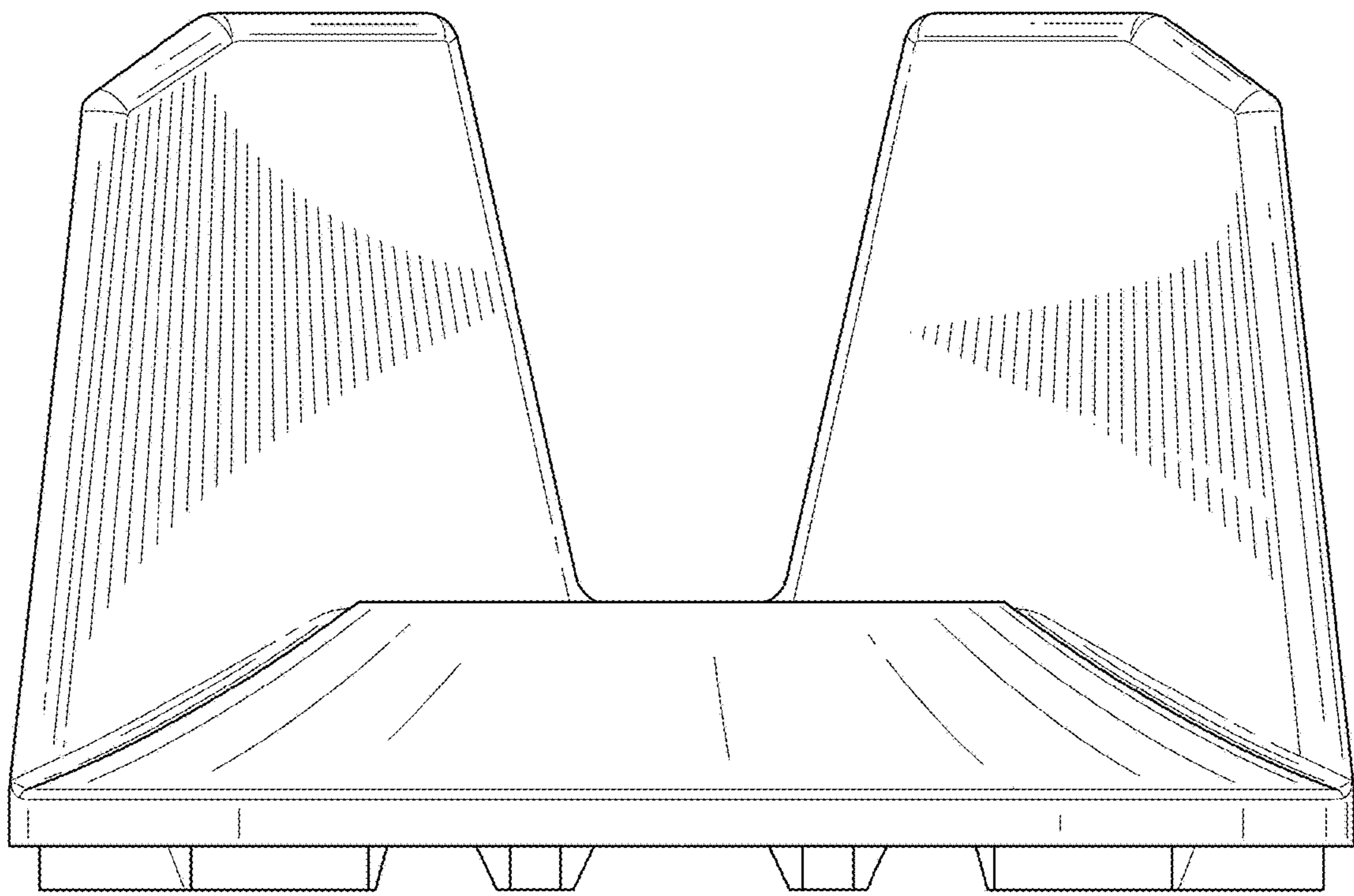


FIG. 3

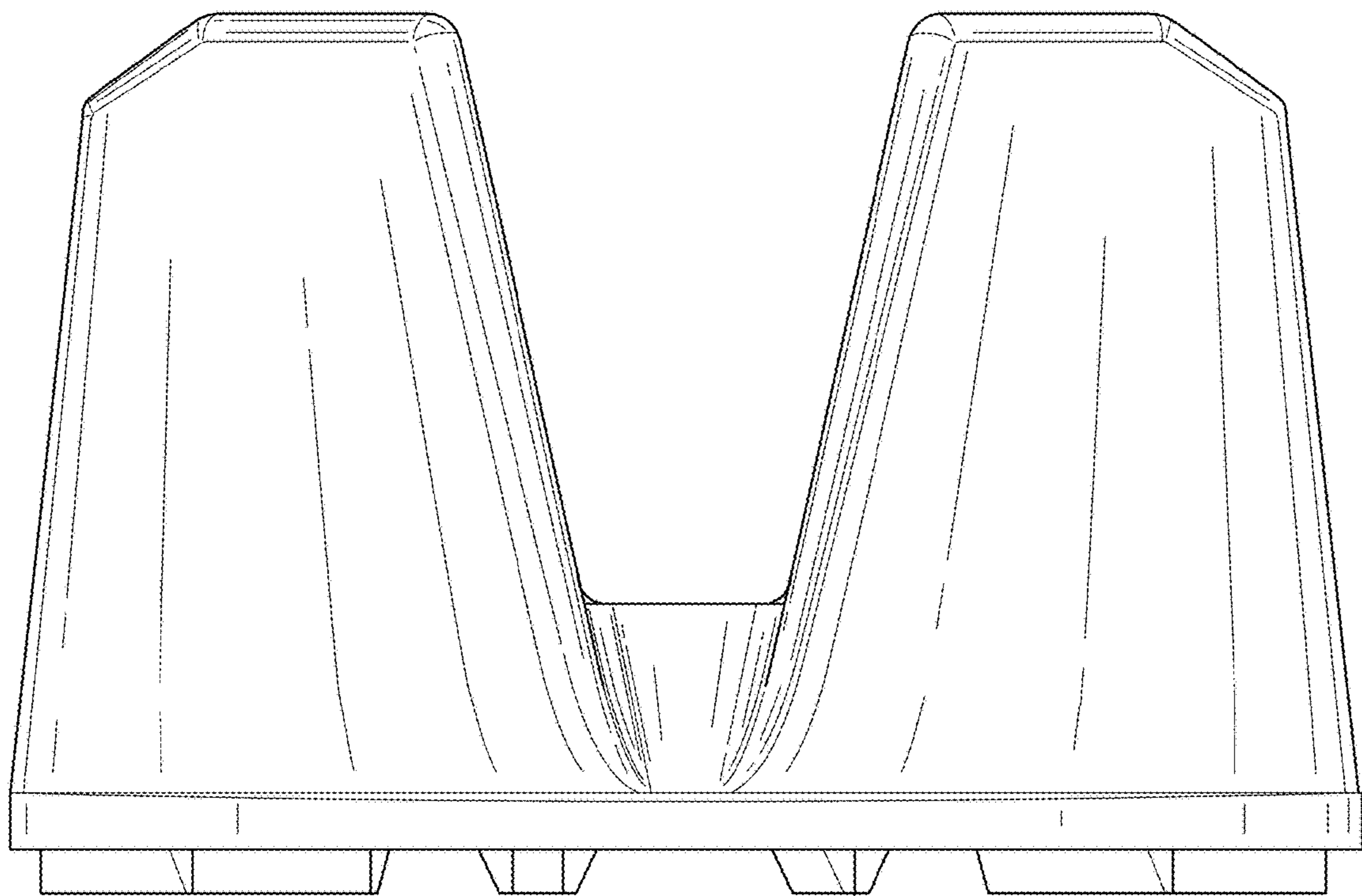
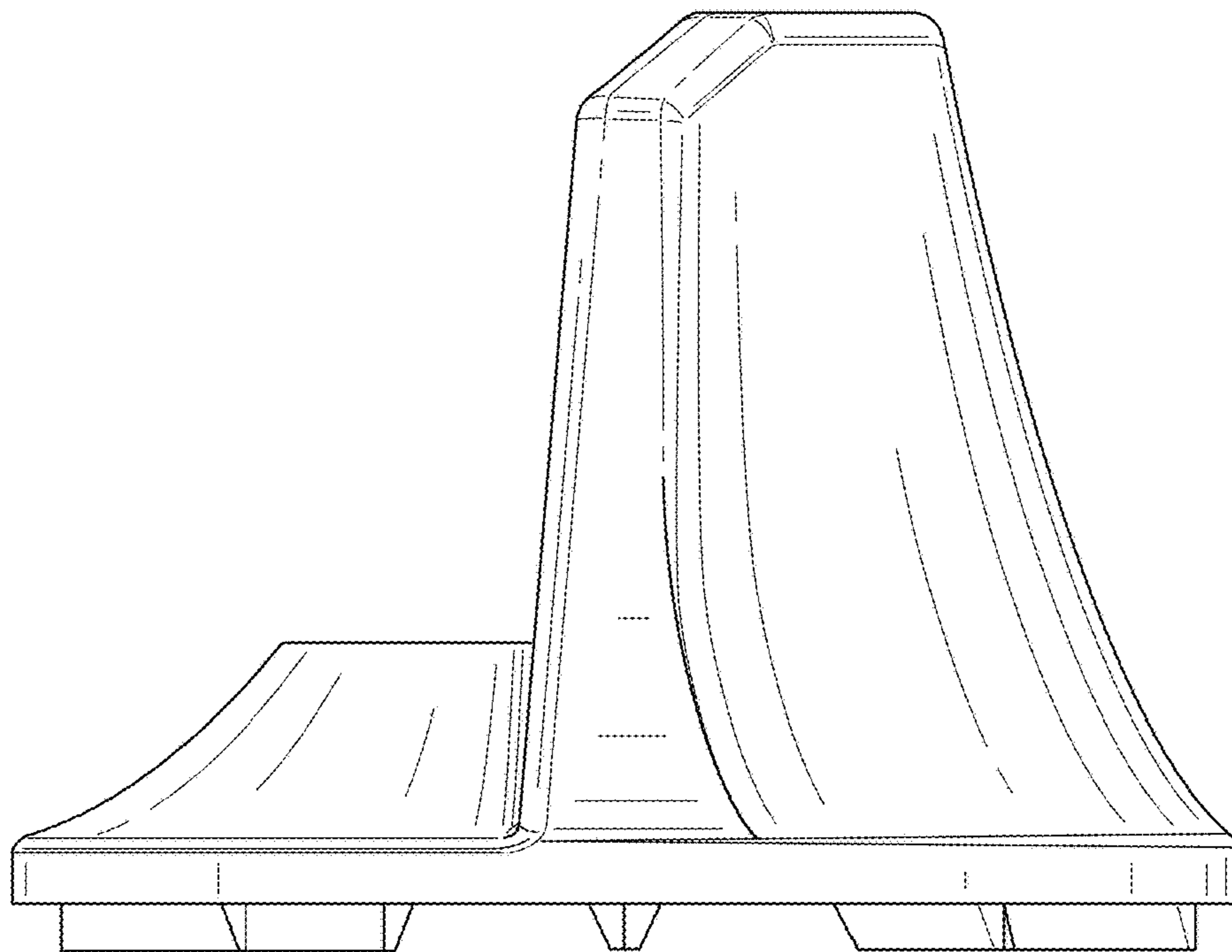
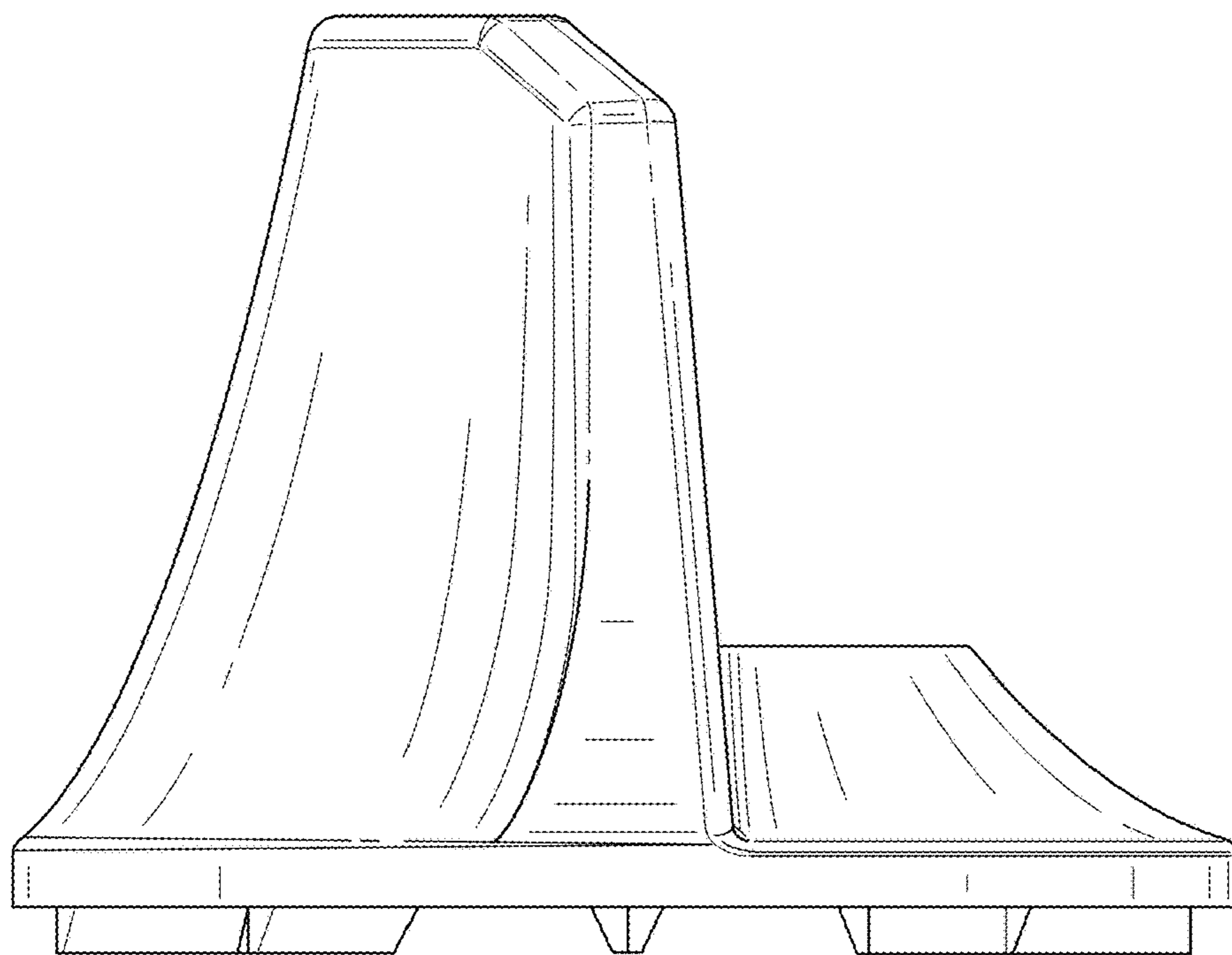


FIG. 4



**FIG. 5**



**FIG. 6**



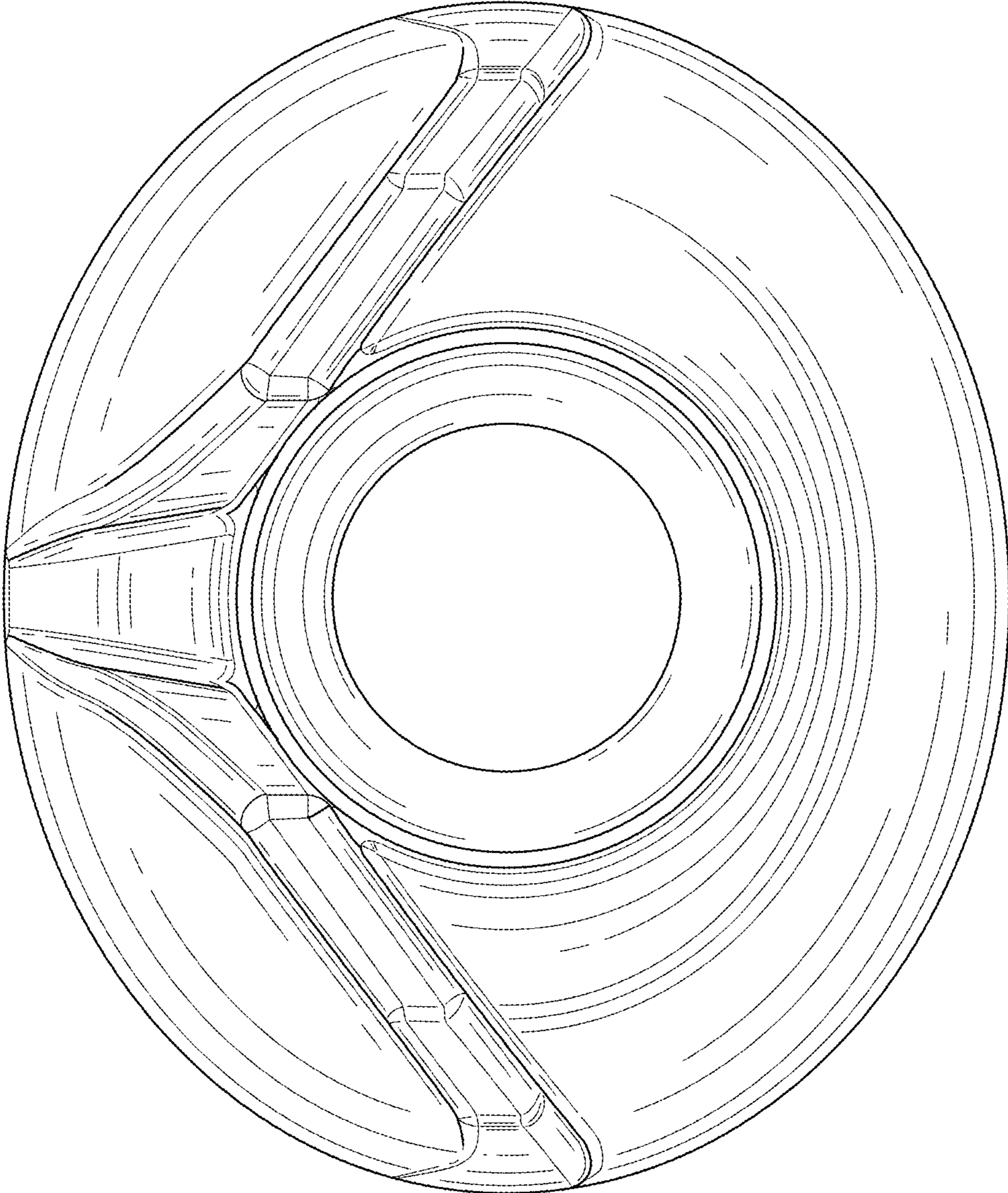


FIG. 7



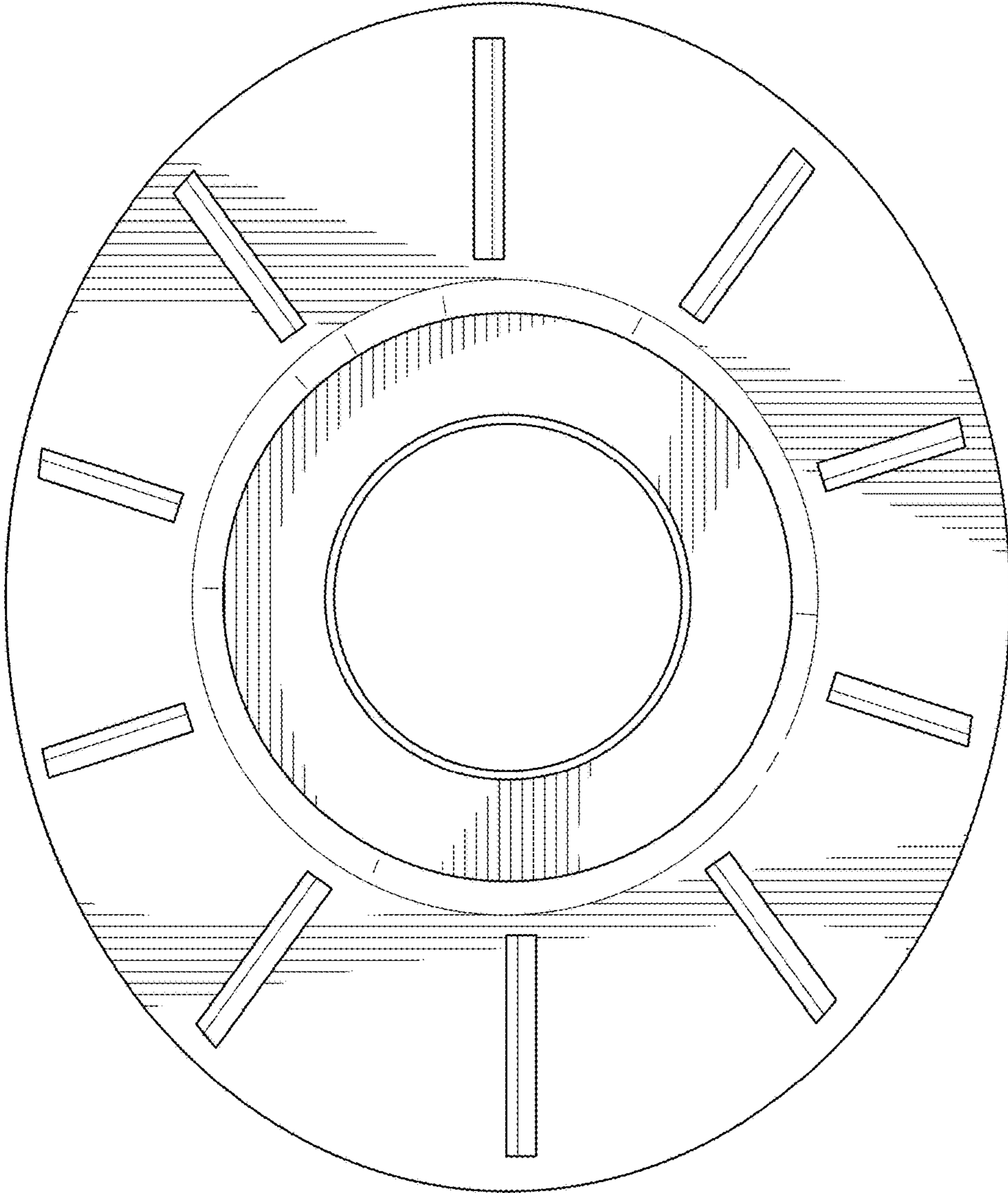


FIG. 8

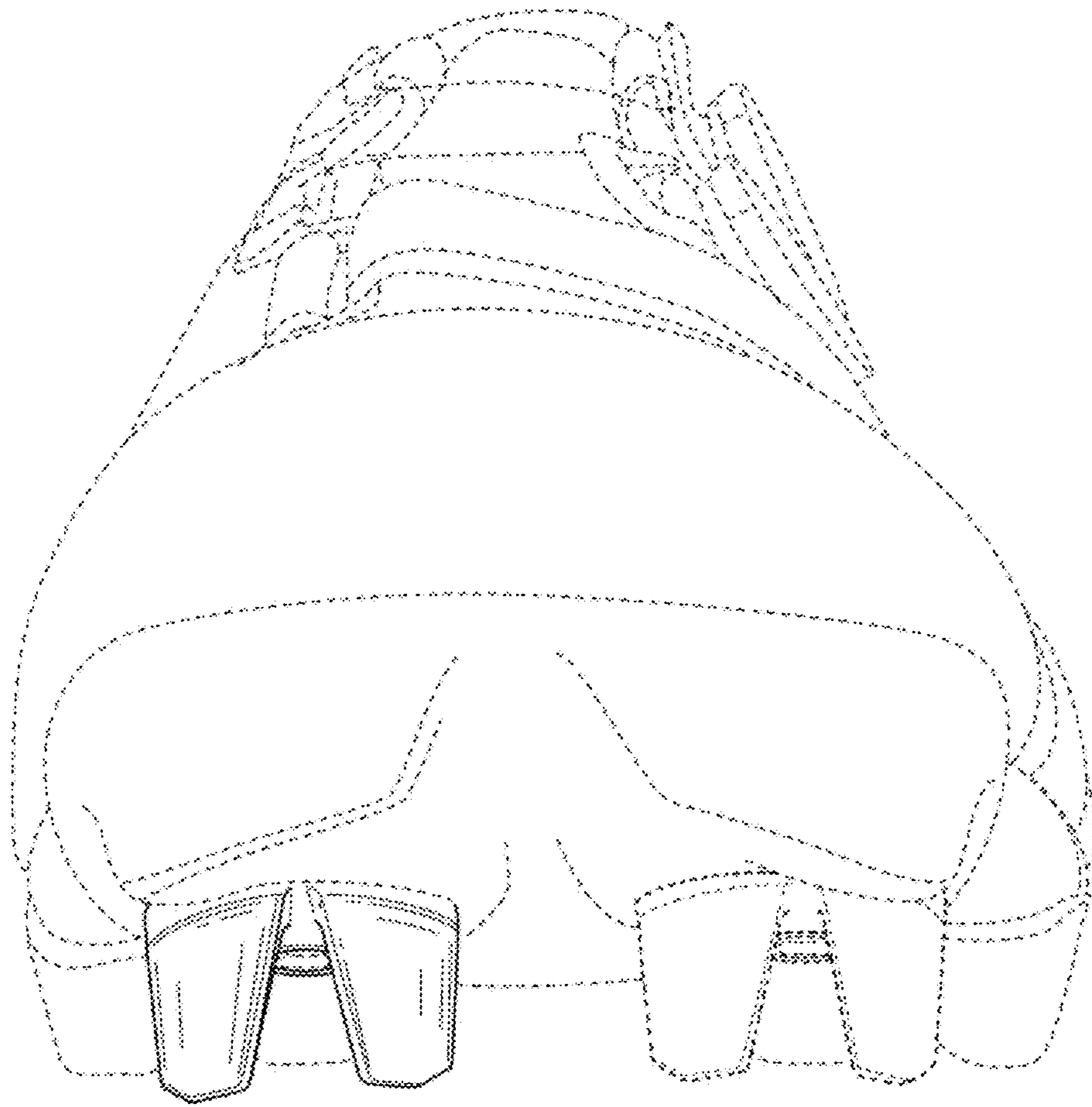


FIG. 9



FIG. 10

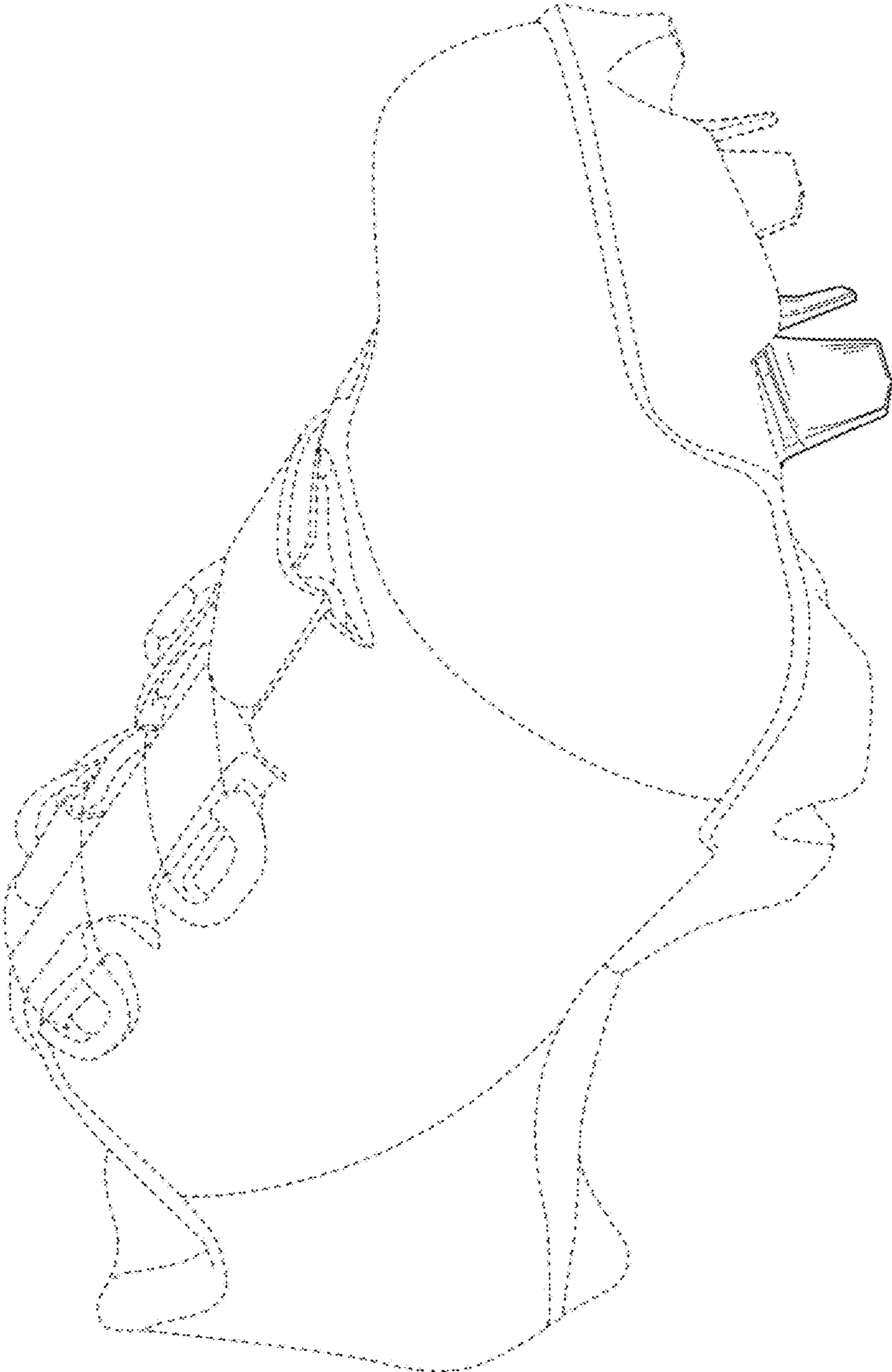


FIG. 11