

US00D844961S

(12) **United States Design Patent**
Toms, Jr. et al.

(10) **Patent No.:** **US D844,961 S**
(45) **Date of Patent:** **** Apr. 9, 2019**

- (54) **CHILDREN'S SHOE INSERT**
- (71) Applicant: **Avery Dennison Retail Information Services, LLC**, Mentor, OH (US)
- (72) Inventors: **James Toms, Jr.**, Tualatin, OR (US);
Caroline Hughes, Edwardian (GB)
- (73) Assignee: **AVERY DENNISON RETAIL INFORMATION SERVICES, LLC**, Mentor, OH (US)
- (**) Term: **15 Years**
- (21) Appl. No.: **29/628,155**
- (22) Filed: **Dec. 1, 2017**
- (51) **LOC (11) Cl.** **02-04**
- (52) **U.S. Cl.**
USPC **D2/961**
- (58) **Field of Classification Search**
USPC D2/900, 946, 947, 950, 961, 968, 896;
D24/124, 126; 36/43, 44, 93, 96, 97, 90
CPC A43B 19/00; A43B 19/005; A43B 17/00;
A43B 17/003; A43B 17/006; A43B
17/14; A43B 13/00; A43B 13/14; A43B
13/1405; A43B 13/141; A43B 13/1415;
A43B 13/145; A43B 13/32; A43B 9/125;
A43B 3/30
See application file for complete search history.

- (56) **References Cited**
U.S. PATENT DOCUMENTS
1,433,062 A * 10/1922 Bellamy B65D 5/2042
229/112
1,598,235 A * 8/1926 Barbieri B65D 5/0245
206/494

- 3,357,544 A * 12/1967 Gingher B65D 5/2038
206/300
- D300,085 S * 3/1989 Ito D2/961
- D351,719 S * 10/1994 Piotrowicz D2/961
- D352,191 S * 11/1994 Zorian D6/661.1
- D356,033 S * 3/1995 Horvat D9/430
- D356,705 S * 3/1995 Aston 5/653
- D434,144 S * 11/2000 Anderson D24/124
- D438,858 S * 3/2001 del Castillo D14/188
- D497,238 S * 10/2004 Maniak D1/100
- D655,076 S * 3/2012 Rosenberg D2/961
- D664,755 S * 8/2012 Gavrieli D2/962
- D696,845 S * 1/2014 Weaver, II D2/961
- D747,086 S * 1/2016 Manning D2/961
- D827,721 S * 9/2018 Whang D21/404
- 2004/0194348 A1 * 10/2004 Campbell A43B 7/142
36/93
- 2010/0263232 A1 * 10/2010 Smirman A43B 5/1641
36/43

* cited by examiner

Primary Examiner — Elizabeth J Oswecki
(74) *Attorney, Agent, or Firm* — Avery Dennison Retail Information Services, LLC

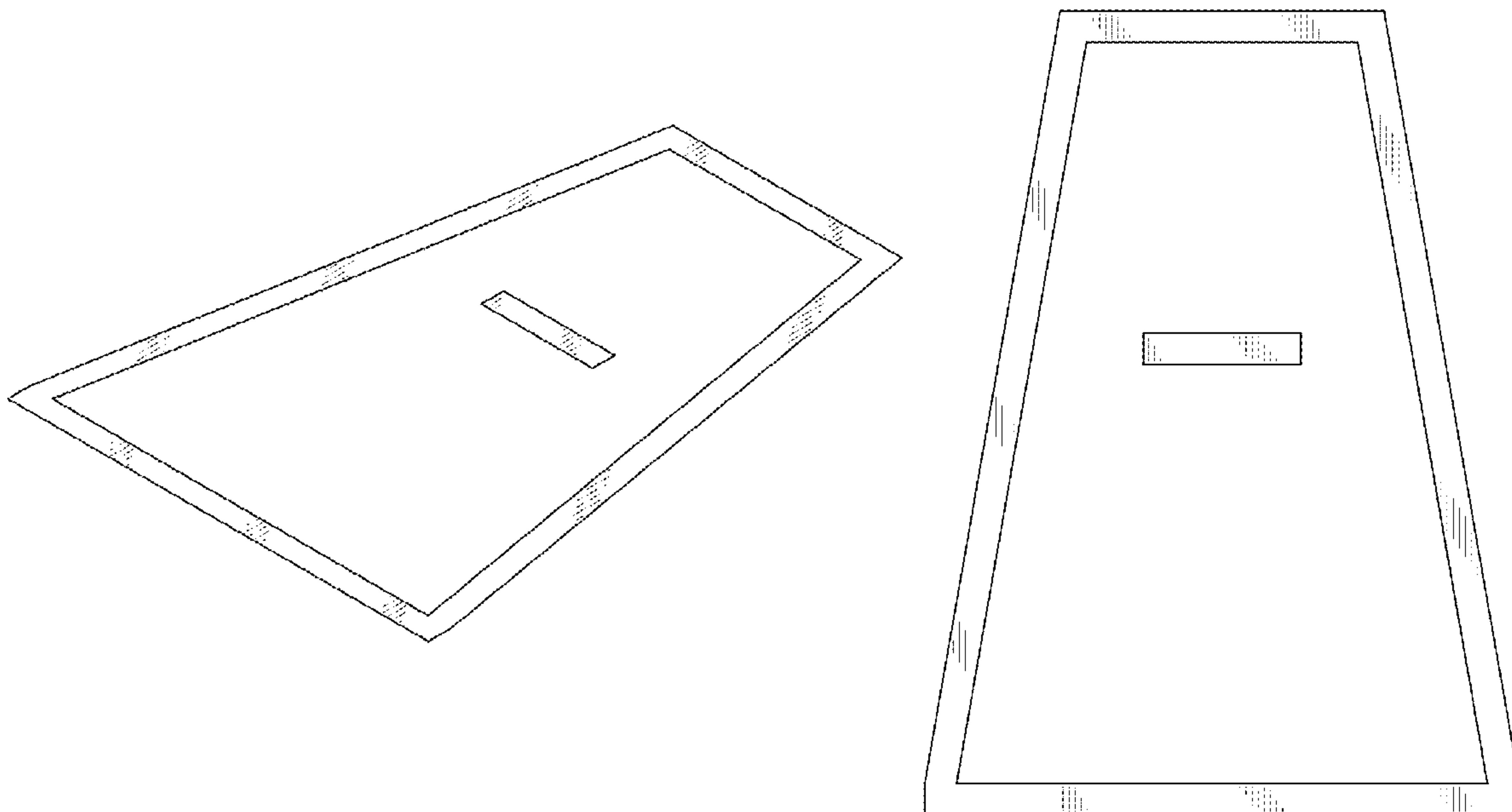
(57) **CLAIM**

The ornamental design for a children's shoe insert, as shown and described.

DESCRIPTION

FIG. 1 is an isometric view of a children's shoe insert, showing our design; and, FIG. 2 is a top view thereof. All surfaces not shown form no part of the claimed design.

1 Claim, 2 Drawing Sheets



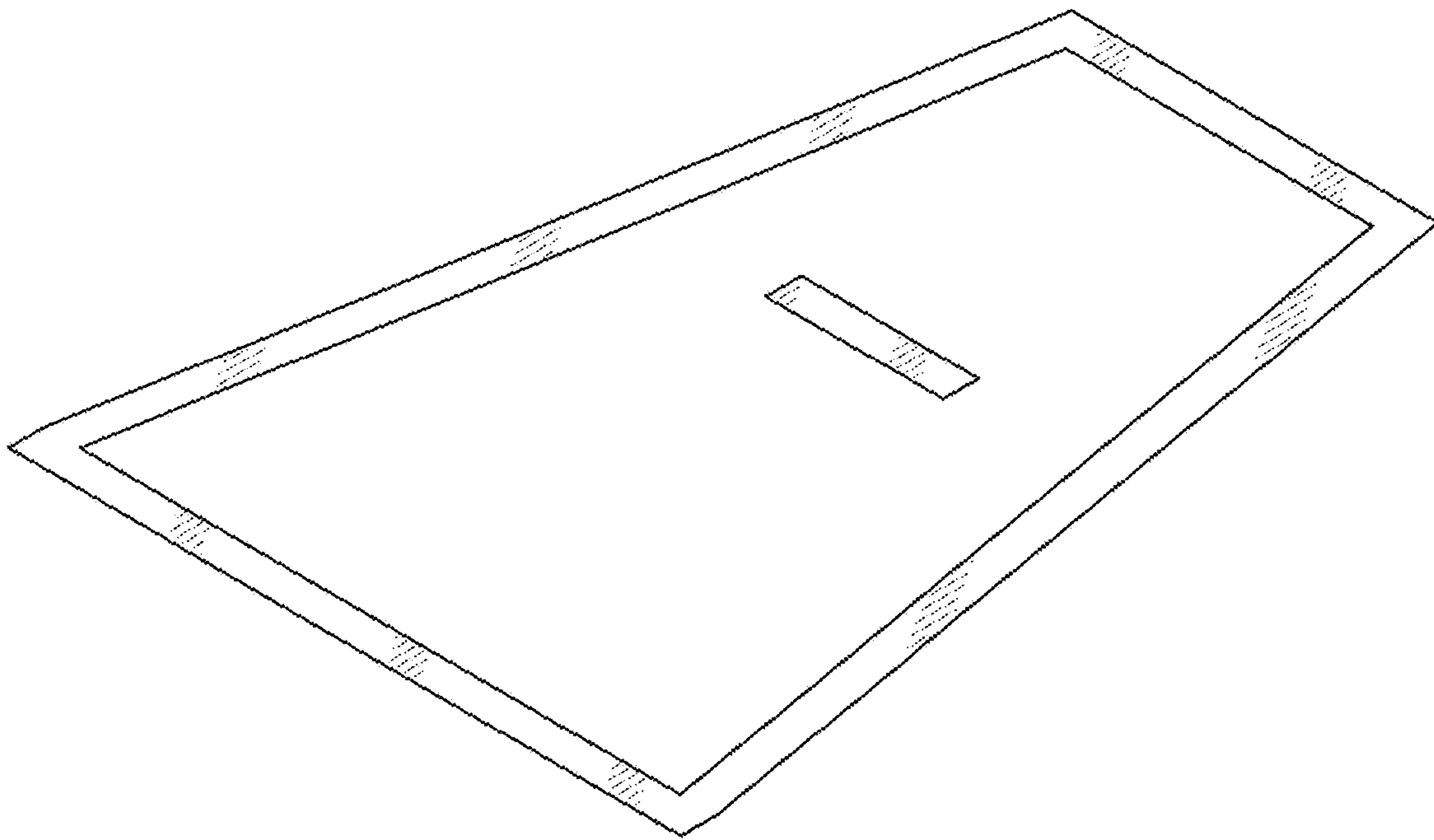


FIG. 1

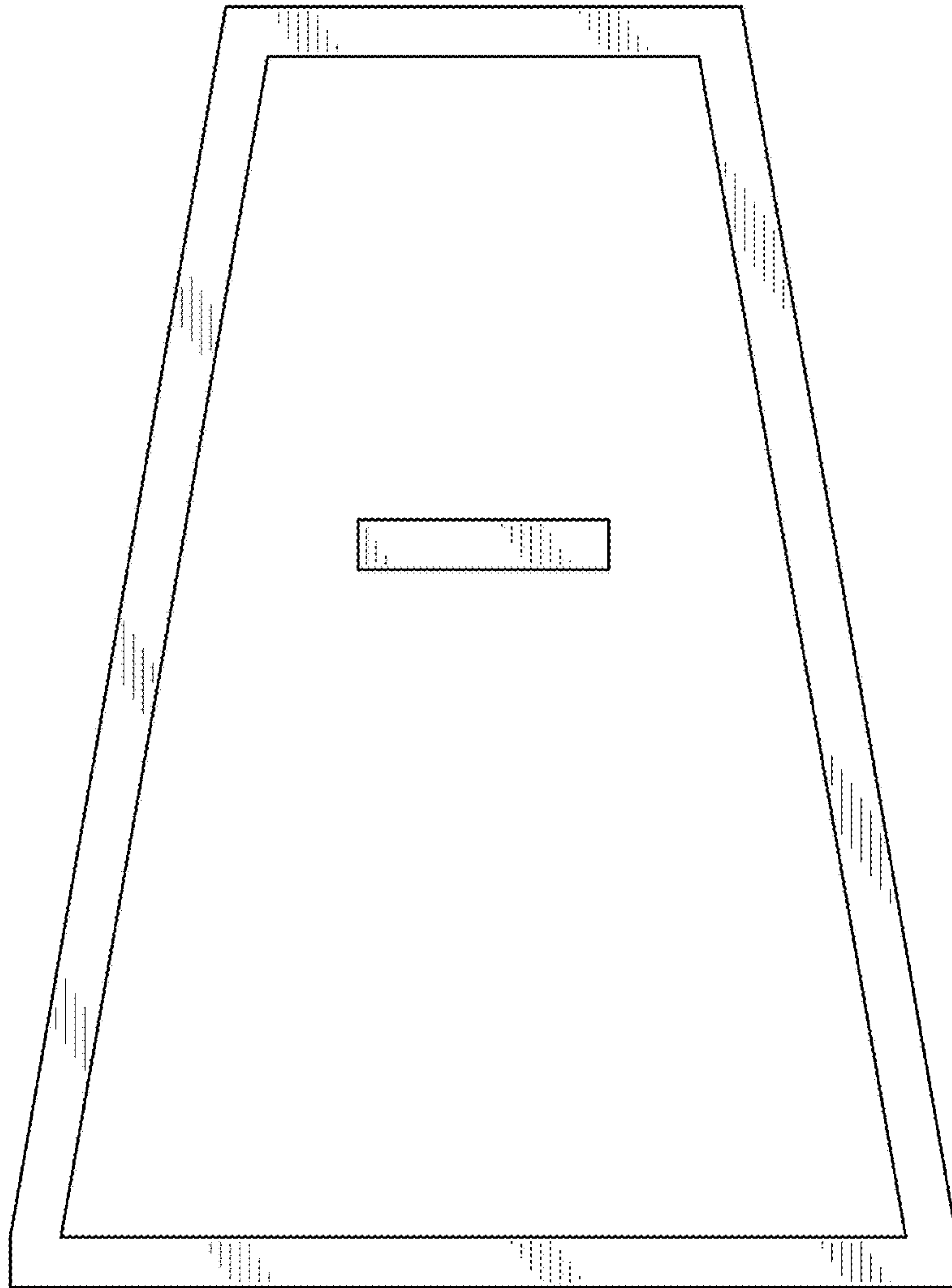


FIG. 2