



US00D844958S

(12) **United States Design Patent**
Newman

(10) **Patent No.:** **US D844,958 S**
(45) **Date of Patent:** **** Apr. 9, 2019**

(54) **SOLE STRUCTURE**

(71) Applicant: **Under Armour, Inc.**, Baltimore, MD (US)

(72) Inventor: **Greg Newman**, Baltimore, MD (US)

(73) Assignee: **UNDER ARMOUR, INC.**, Baltimore, MD (US)

(**) Term: **15 Years**

(21) Appl. No.: **29/596,646**

(22) Filed: **Mar. 9, 2017**

(51) **LOC (11) Cl.** **02-04**

(52) **U.S. Cl.**
USPC **D2/955**; D2/951; D2/953; D2/954;
D2/960

(58) **Field of Classification Search**

USPC D2/902, 906, 908, 916, 918, 925,
D2/946-962, 977; 36/3 B, 22 R, 24.5,
36/25 R, 28, 32 R, 34 R, 59 C, 67 A, 103
CPC A43B 13/00; A43B 13/02; A43B 13/023;
A43B 13/026; A43B 13/04; A43B 13/08;
A43B 13/10; A43B 13/12; A43B 13/14;
A43B 13/141; A43B 13/143; A43B
13/16; A43B 13/18; A43B 13/181; A43B
13/187; A43B 13/189; A43B 13/20; A43B
13/22; A43B 13/223; A43B 13/24; A43B
13/28; A43B 13/30; A43B 13/32; A43B
13/34; A43B 13/36

See application file for complete search history.

(56) **References Cited**

U.S. PATENT DOCUMENTS

D241,688 S * 10/1976 Johnson D2/955
D259,595 S * 6/1981 Famolare, Jr. D2/955
D281,641 S * 12/1985 Shiki D2/953
D285,985 S * 10/1986 Tong 36/32 R

D293,503 S * 1/1988 Mitsui D2/953
D298,285 S * 11/1988 Tong D2/954
D299,584 S * 1/1989 Franklin D2/955
D304,520 S * 11/1989 Clark D2/955
4,897,936 A * 2/1990 Fuerst A43B 13/12
36/114
D316,175 S * 4/1991 Legacki D2/953
D325,806 S * 5/1992 Austin D2/955
D396,549 S * 8/1998 von Conta D2/955
D468,082 S * 1/2003 Brown D2/955
D512,208 S * 12/2005 Kubo A43B 7/1465
D2/953
D513,115 S * 12/2005 Kayano D2/947

(Continued)

Primary Examiner — T Chase Nelson

(74) *Attorney, Agent, or Firm* — Edell, Shapiro & Finnan, LLC

(57) **CLAIM**

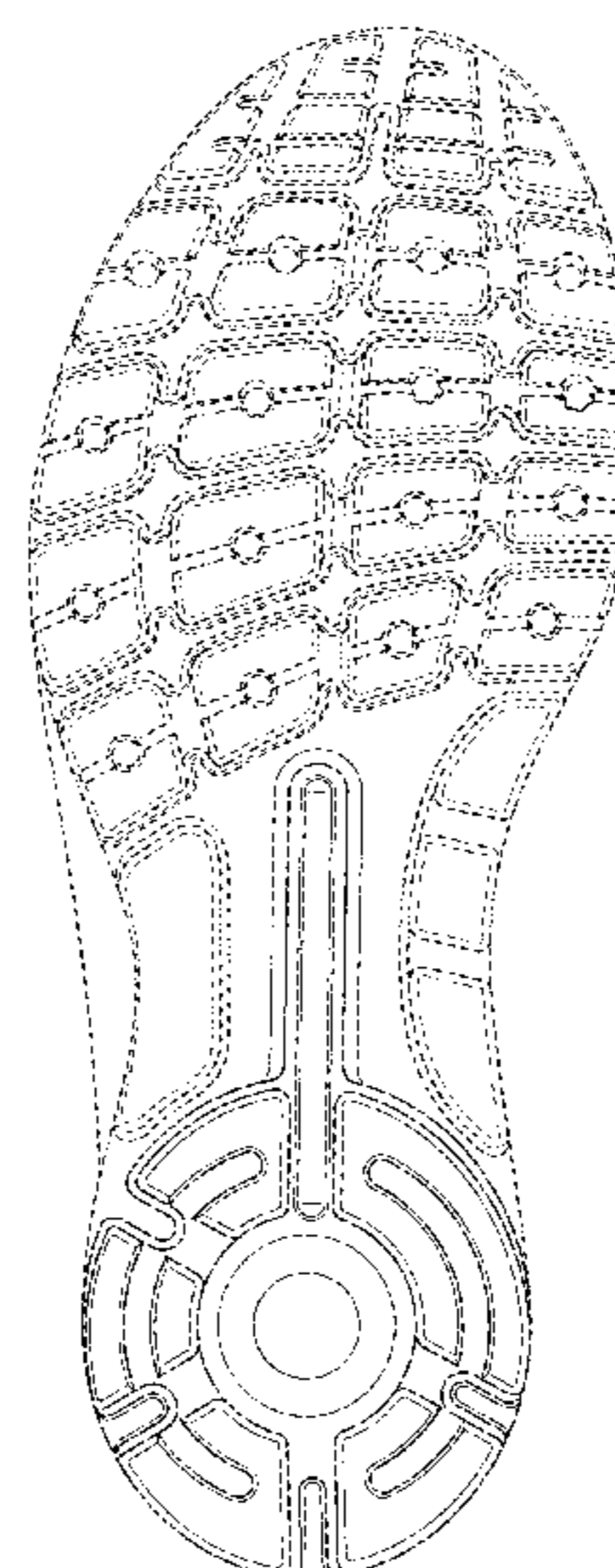
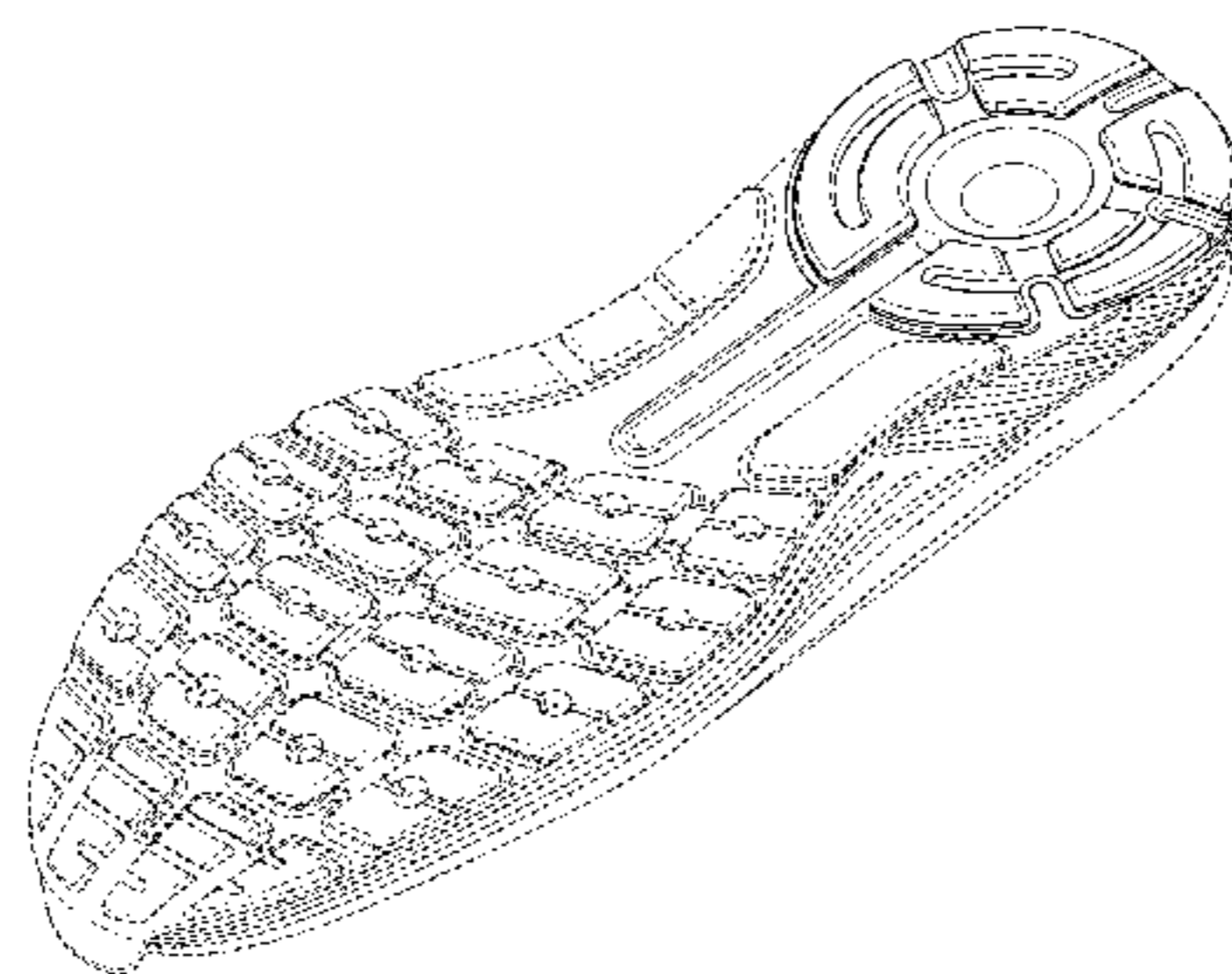
The ornamental design for a sole structure, as shown and described.

DESCRIPTION

FIG. 1 is a bottom and front view in perspective of a sole structure showing my new design;
FIG. 2 is a bottom and rear view in perspective thereof;
FIG. 3 is a top view in plan thereof;
FIG. 4 is a bottom view in plan thereof;
FIG. 5 is a lateral side view in elevation thereof;
FIG. 6 is a medial side view in elevation thereof;
FIG. 7 is a front view in elevation thereof; and,
FIG. 8 is a rear view in elevation thereof.

The sole structure illustrated is a first embodiment showing a right-footed form of the sole structure for a shoe. A second embodiment of the sole structure is for the left-footed form of the sole structure for a shoe, which is a mirror image of the right-footed form, and which is not illustrated. The broken line illustration of environmental structure in the figures is not part of the claimed design.

1 Claim, 7 Drawing Sheets



(56)

References Cited

U.S. PATENT DOCUMENTS

D514,286 S *	2/2006	Kayano	A43B 3/0031	D2/953
D559,511 S *	1/2008	Wu	A43B 3/0042	D2/953
D575,946 S *	9/2008	Mitani	A43B 3/0042	D2/946
D594,200 S *	6/2009	Nakano	A43B 13/186	D2/961
D595,488 S *	7/2009	Banik	D2/951	
D595,941 S *	7/2009	Byrne	A43B 3/0063	D2/952
D596,387 S *	7/2009	Brown	A43B 3/0063	D2/951
D659,363 S *	5/2012	Leary	A43B 13/181	D2/951
D710,581 S *	8/2014	Williams, Jr.	D2/951	
D711,082 S *	8/2014	Williams, Jr.	D2/951	
D713,627 S *	9/2014	Williams, Jr.	D2/951	
D724,302 S *	3/2015	Hansen	D2/951	
D752,325 S *	3/2016	Spieth	D2/951	
D802,897 S *	11/2017	Howe	D2/953	
D804,158 S *	12/2017	Nykreim	D2/955	
D812,878 S *	3/2018	Nethongkome	D2/956	
D814,755 S *	4/2018	McManus	D2/957	
D824,151 S *	7/2018	Newman	D2/957	
10,045,589 B2 *	8/2018	Abshire	A43B 13/181	
2002/0129516 A1 *	9/2002	Lucas	A43B 3/0063	36/35 R
2003/0208929 A1 *	11/2003	Lucas	A43B 3/0063	36/28
2008/0289219 A1 *	11/2008	Nakano	A43B 13/186	36/88
2010/0107448 A1 *	5/2010	Fallow	A43B 3/0042	36/103
2010/0257752 A1 *	10/2010	Goldston	A43B 3/0031	36/108
2010/0293815 A1 *	11/2010	Ferrigan	A43B 3/0042	36/25 R
2014/0137437 A1 *	5/2014	Nakano	A43B 7/1465	36/102
2018/0092431 A1 *	4/2018	Iuchi	A43B 13/12	

* cited by examiner

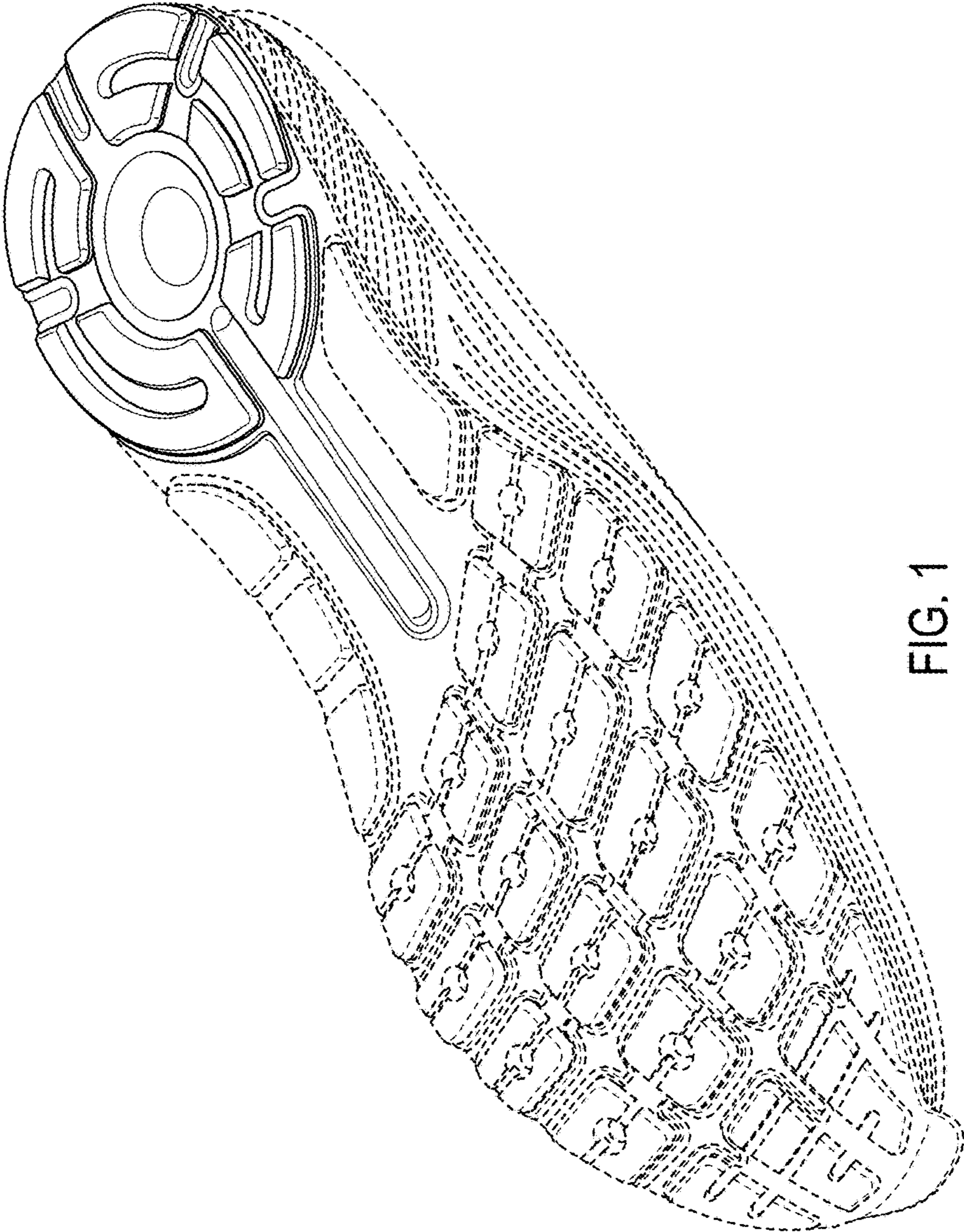


FIG. 1

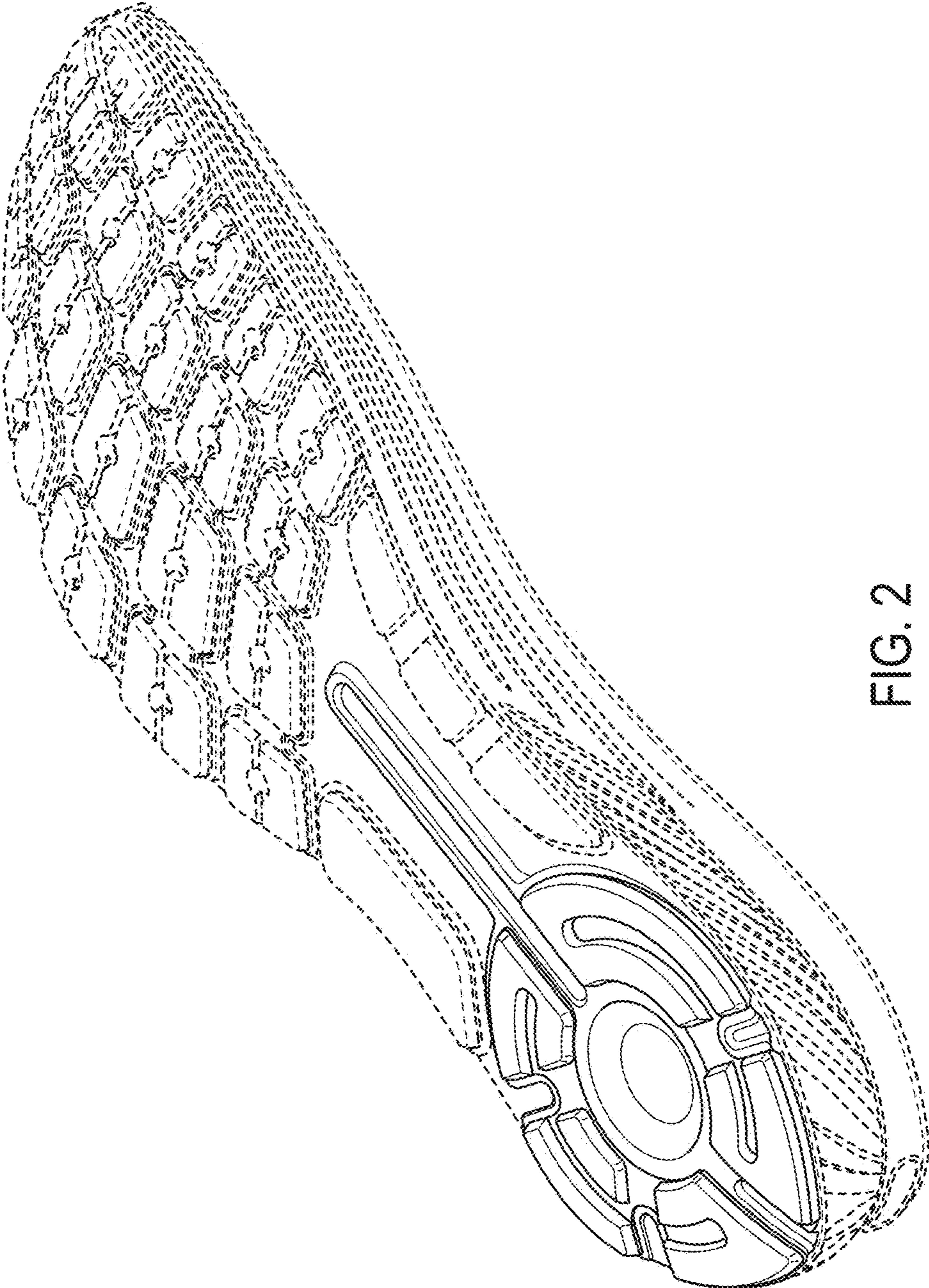


FIG. 2

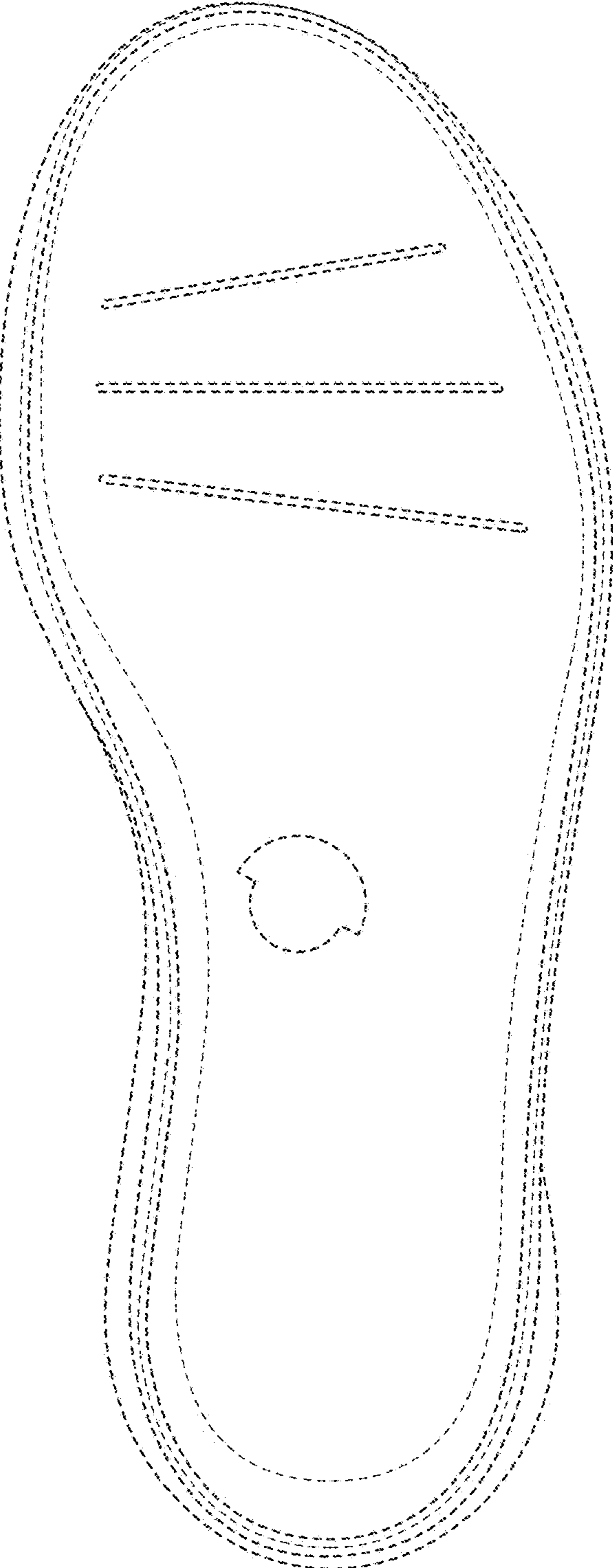


FIG. 3

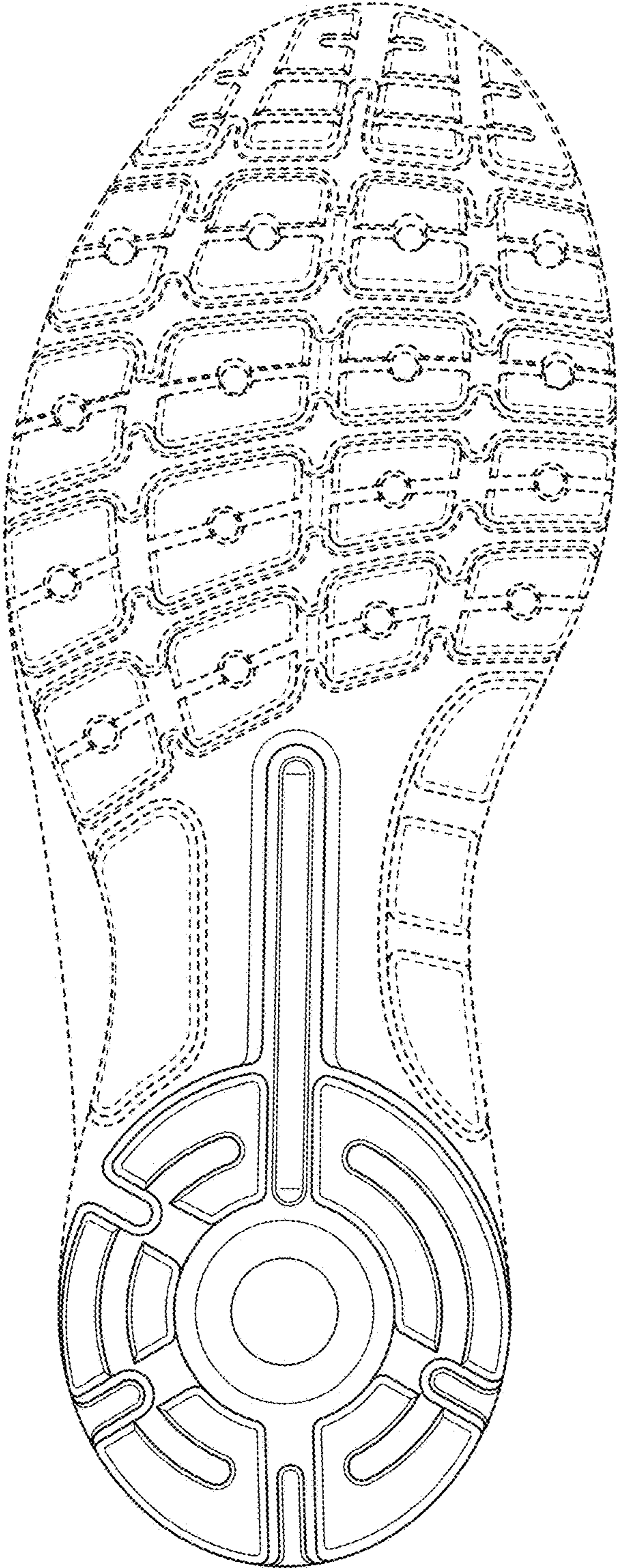


FIG. 4



FIG. 5

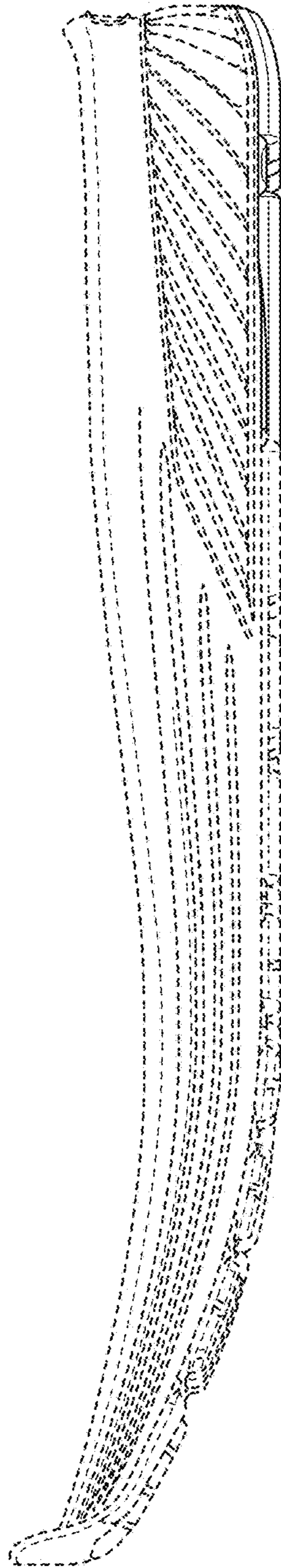


FIG. 6

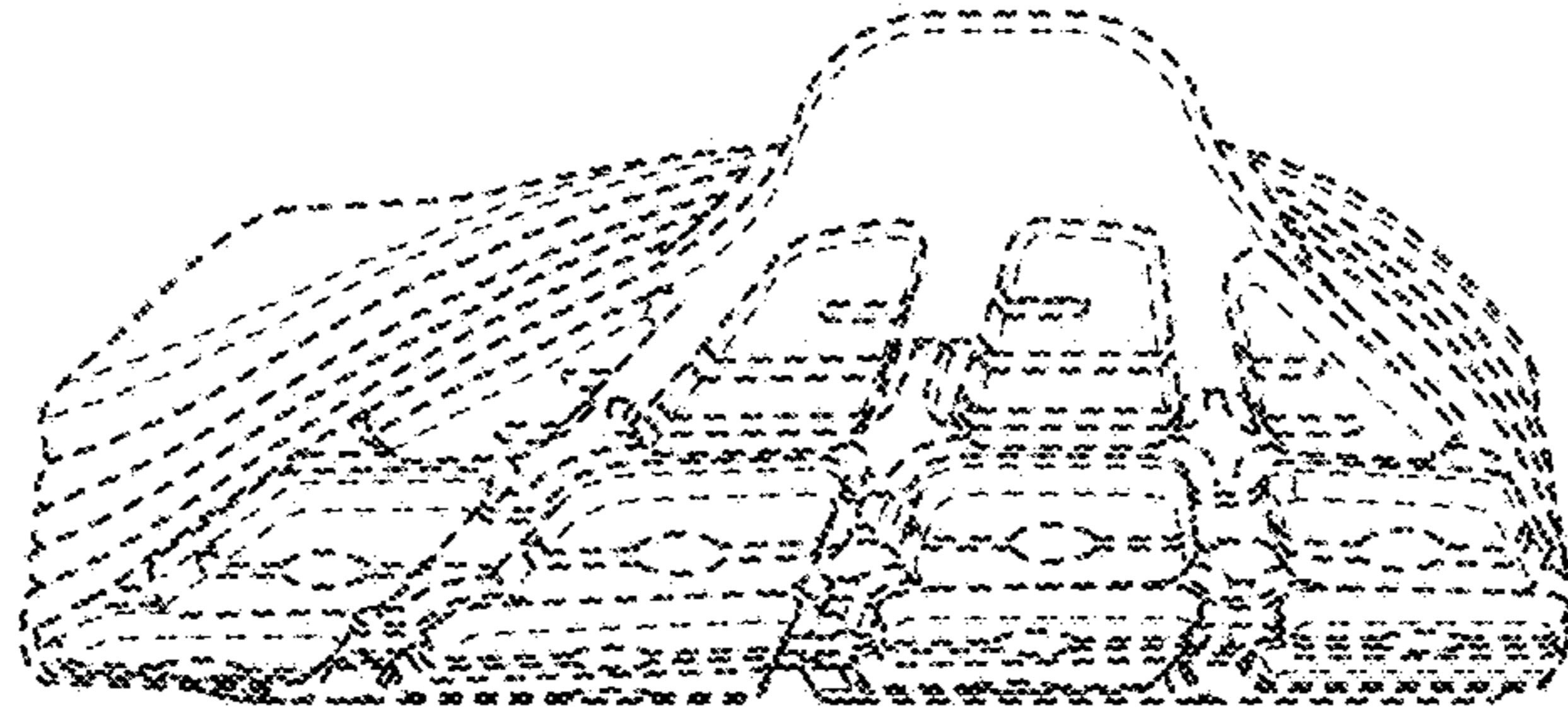


FIG. 7

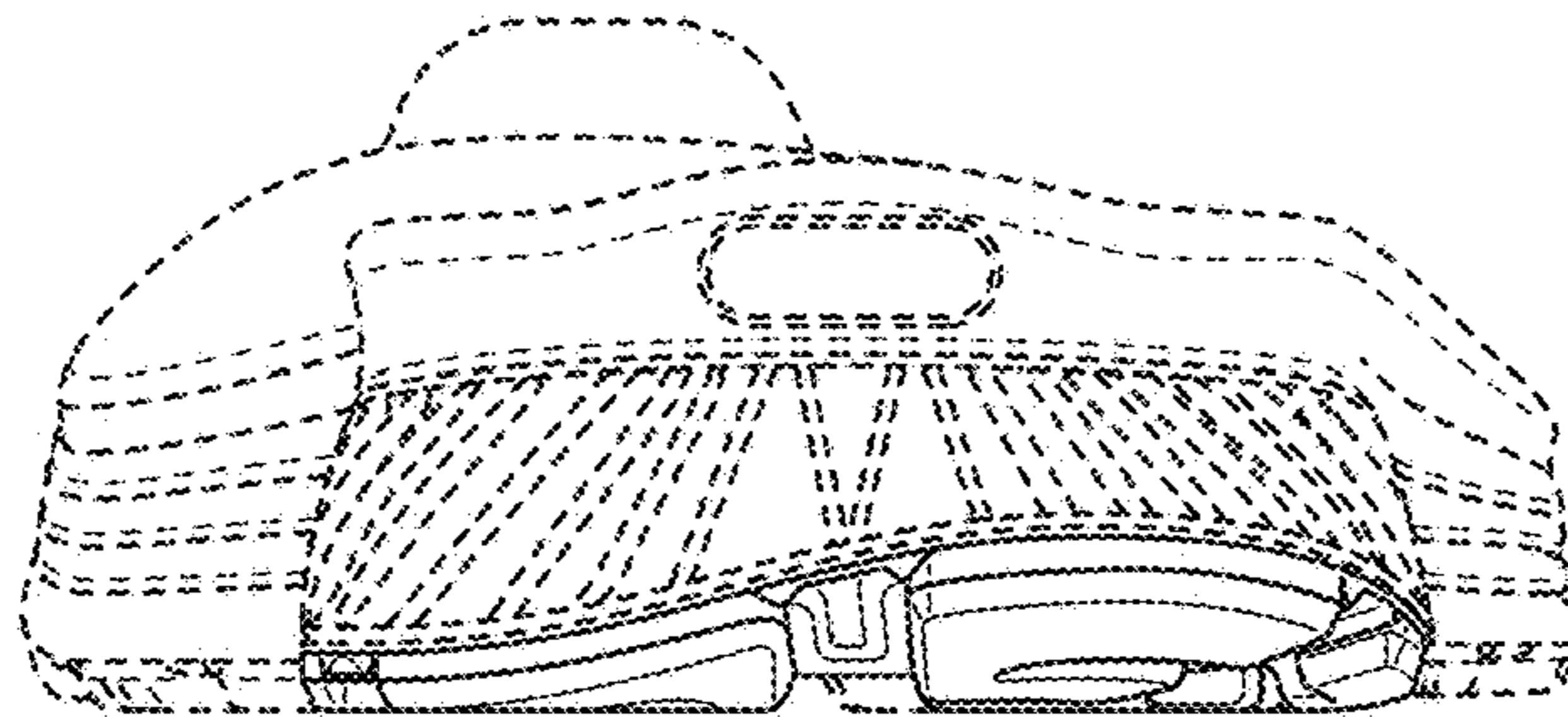


FIG. 8