



US00D844941S

(12) **United States Design Patent**  
**Creque**

(10) **Patent No.:** **US D844,941 S**

(45) **Date of Patent:** **\*\* Apr. 9, 2019**

(54) **CAP WITH DUAL BUCKLE FASTENER**

(71) Applicant: **Larone Kennard Creque**, Newport News, VA (US)

(72) Inventor: **Larone Kennard Creque**, Newport News, VA (US)

(\*\*) Term: **15 Years**

(21) Appl. No.: **29/602,862**

(22) Filed: **May 4, 2017**

(51) **LOC (11) Cl.** ..... **02-03**

(52) **U.S. Cl.**  
USPC ..... **D2/891**

(58) **Field of Classification Search**  
USPC ..... D2/865, 866, 867, 869, 870, 871, 872,  
D2/873, 874, 875, 876, 877, 878, 879,  
D2/880, 881, 882, 883, 884, 885, 886,  
D2/887, 888, 889, 890, 891, 892, 893,  
D2/894, 895

CPC ..... A42B 1/00; A42B 1/002; A42B 1/004;  
A42B 1/006; A42B 1/02; A42B 1/062;  
A42B 1/064; A42B 1/205; A42B 1/22;  
A42B 1/24; A42B 7/00

See application file for complete search history.

(56) **References Cited**

**U.S. PATENT DOCUMENTS**

|           |     |         |             |       |           |         |
|-----------|-----|---------|-------------|-------|-----------|---------|
| 1,839,341 | A * | 1/1932  | Rabushka    | ..... | A42B 1/22 | 2/195.4 |
| D132,981  | S * | 7/1942  | Solash      | ..... | D2/877    |         |
| D291,381  | S * | 8/1987  | Fender      | ..... | D2/876    |         |
| D416,665  | S * | 11/1999 | Jones       | ..... | D2/874    |         |
| 6,131,249 | A * | 10/2000 | Suenaga     | ..... | A42B 1/22 | 24/168  |
| D578,740  | S * | 10/2008 | Schussleder | ..... | D2/882    |         |
| D594,185  | S * | 6/2009  | Lacy        | ..... | D2/879    |         |

|              |      |         |        |       |            |         |
|--------------|------|---------|--------|-------|------------|---------|
| D619,788     | S *  | 7/2010  | Lacy   | ..... | D2/879     |         |
| 7,827,622    | B2 * | 11/2010 | Claro  | ..... | A41F 1/002 | 2/195.4 |
| 2002/0108165 | A1 * | 8/2002  | Porter | ..... | A42B 1/22  | 2/195.2 |

**OTHER PUBLICATIONS**

US Trademark Application #87021203 (now Registered Trademark #5247479) for "I Spired" filed on May 2, 2016 by Larone Creque. First use in commerce date: Dec. 17, 2015. Retrieved on Jun. 6, 2018. (3 pgs). (Year: 2015).\*

\* cited by examiner

*Primary Examiner* — Karen S Acker

*Assistant Examiner* — Jasmine Mlinarcik

(74) *Attorney, Agent, or Firm* — Dunlap Bennett & Ludwig PLLC

(57) **CLAIM**

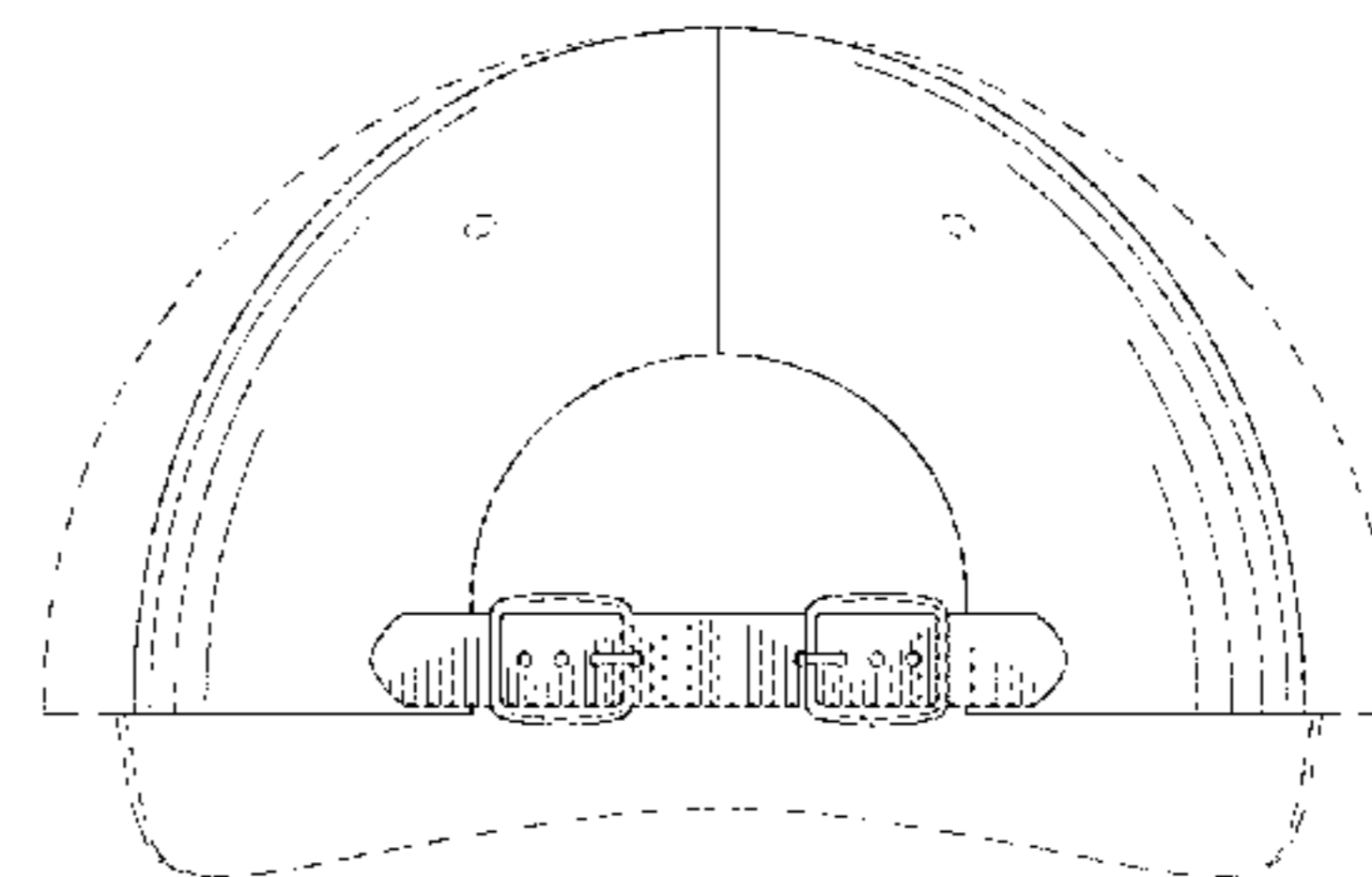
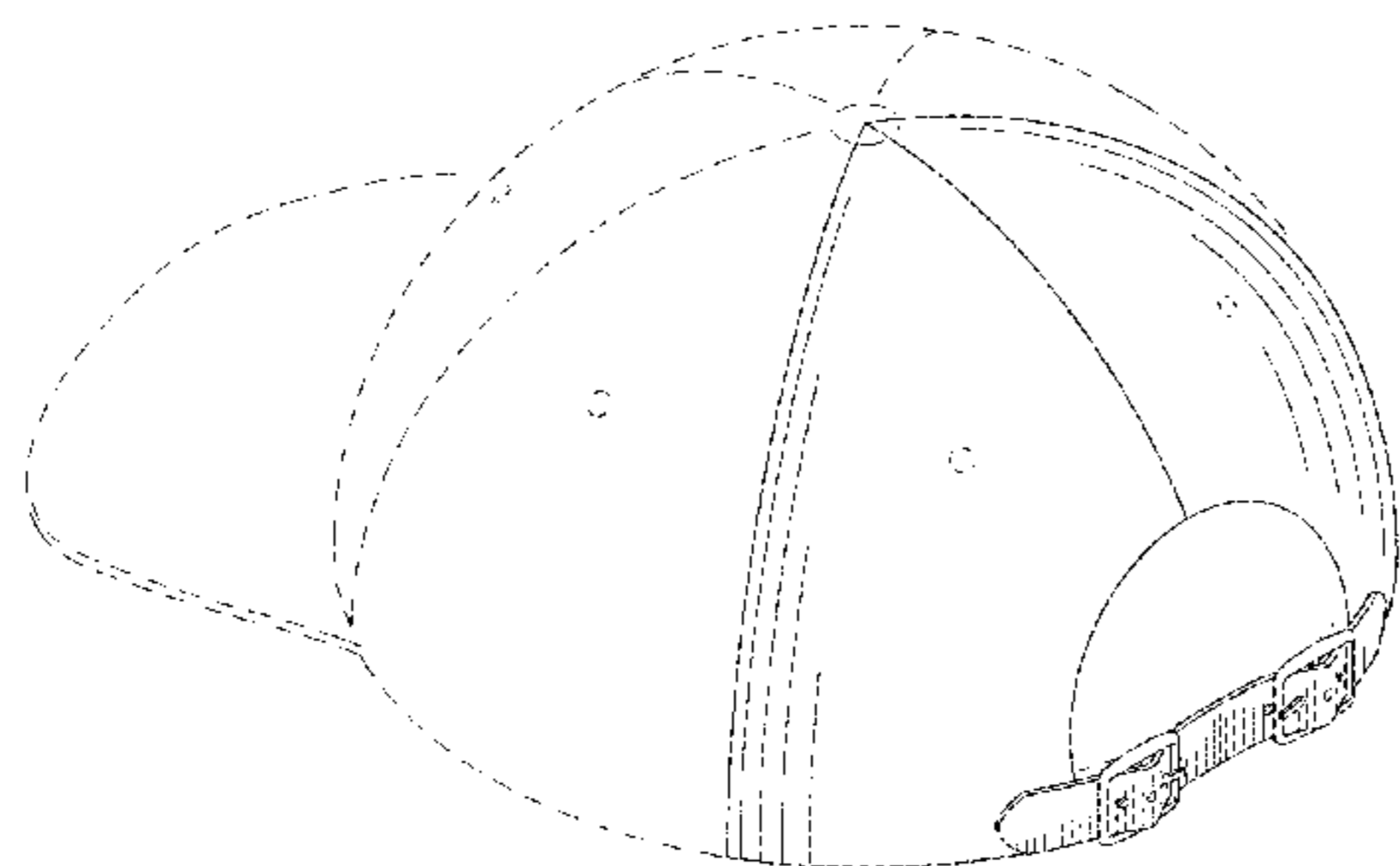
The ornamental design for a cap with dual buckle fastener, as shown and described.

**DESCRIPTION**

FIG. 1 is a top front perspective view of a cap with dual buckle fastener, showing my new design; FIG. 2 is a right side elevation view thereof; FIG. 3 is a left side elevation view thereof; FIG. 4 is a front elevation view thereof, the rear elevation view being a mirror image thereof; FIG. 5 is a top plan view thereof; and, FIG. 6 is a bottom plan view thereof.

The dashed broken lines illustrate portions of the cap, as well portions of the dual buckle fastener that form no part of the claimed design. The areas adjacent to the shaded areas are portions of the cap with dual buckle fastener that form no part of the claimed design.

**1 Claim, 4 Drawing Sheets**



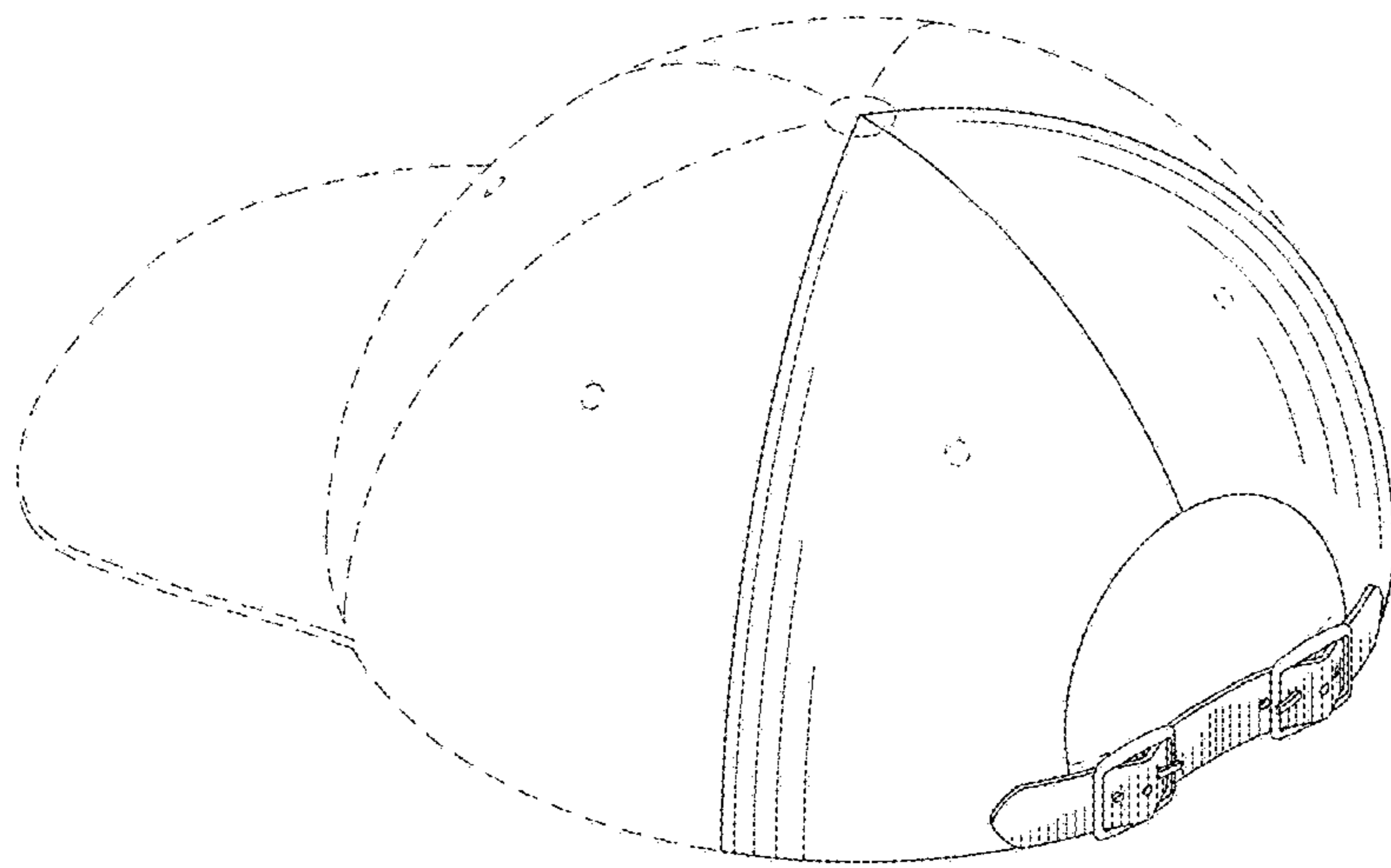


FIG.1

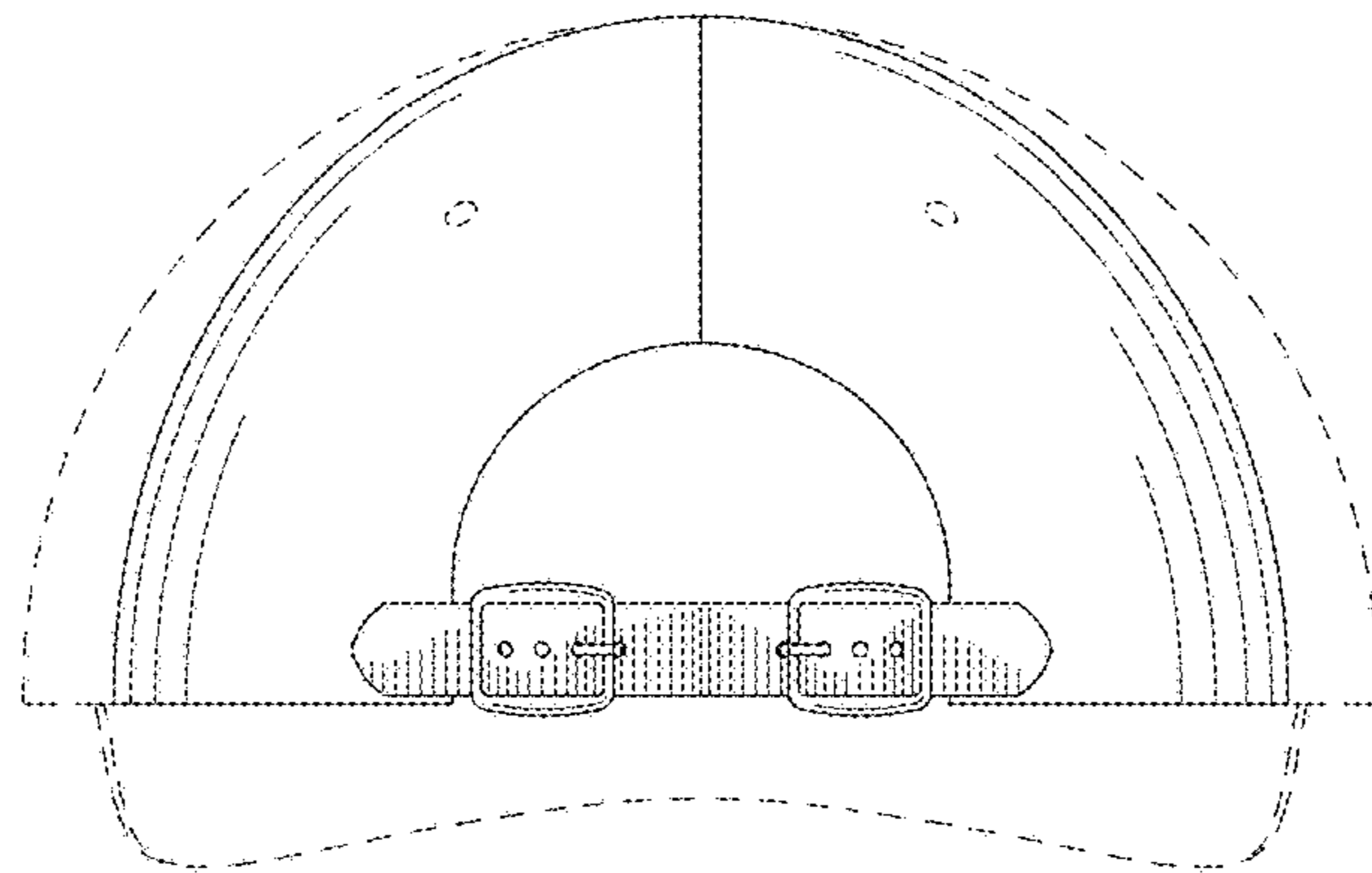


FIG. 2

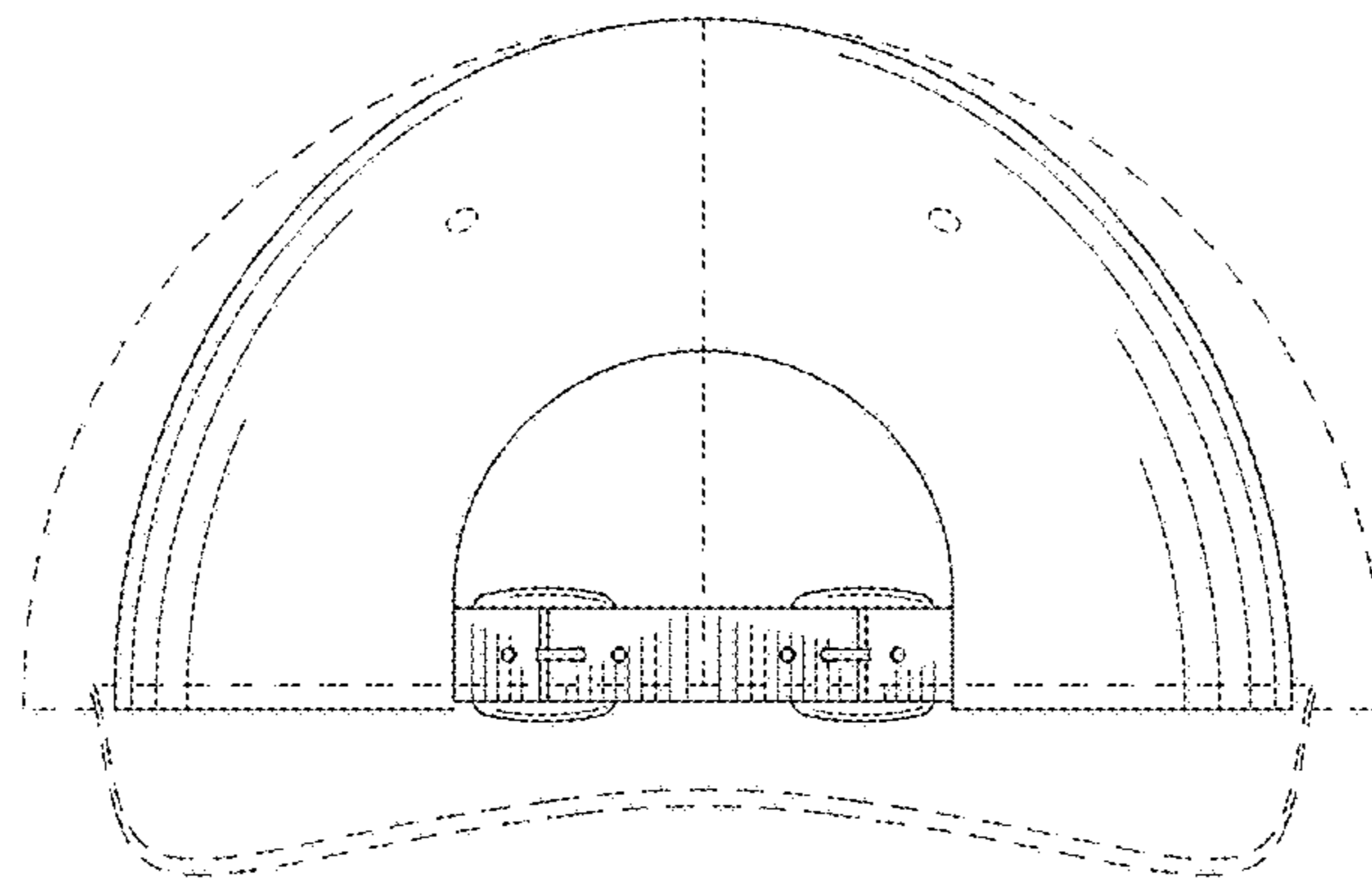


FIG. 3

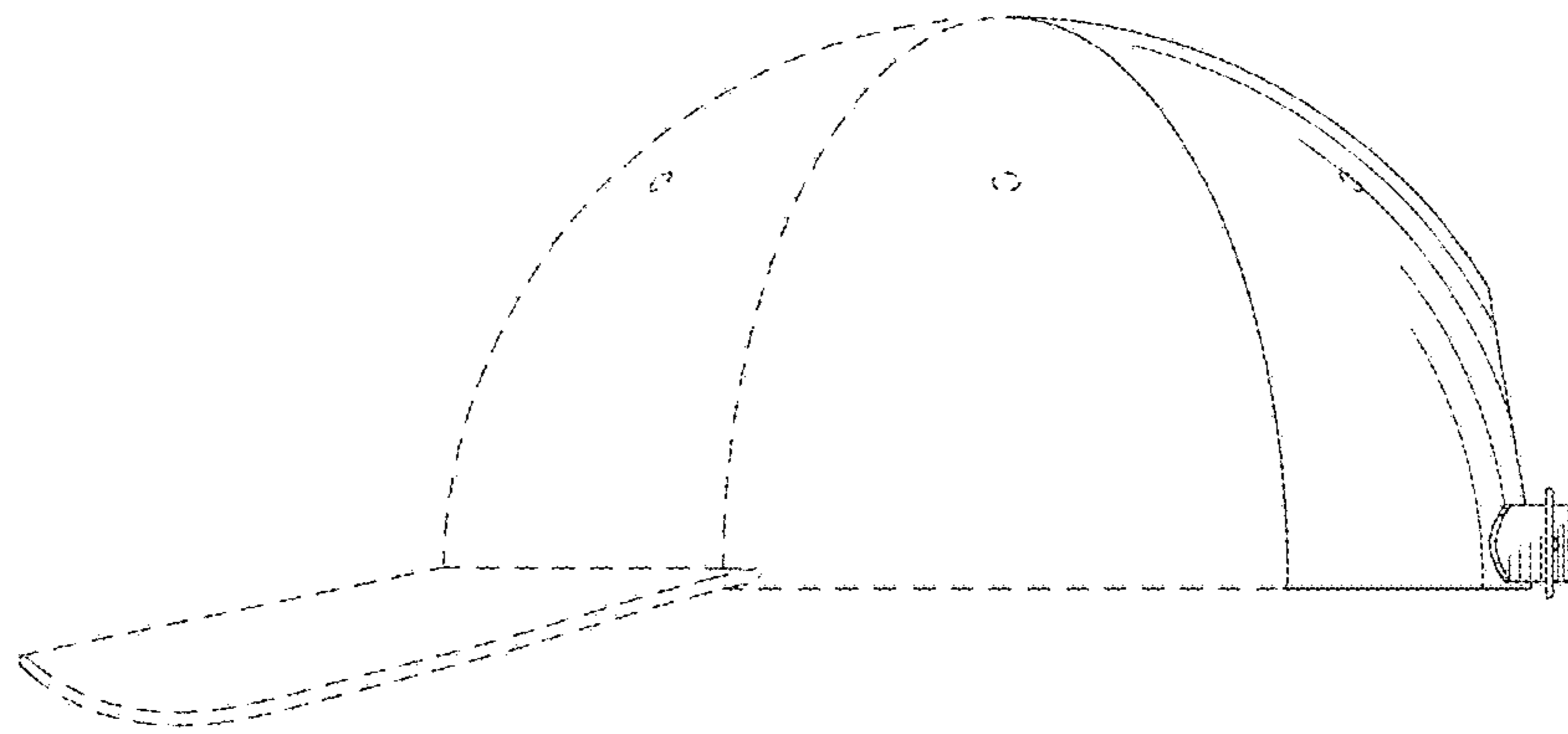


FIG.4

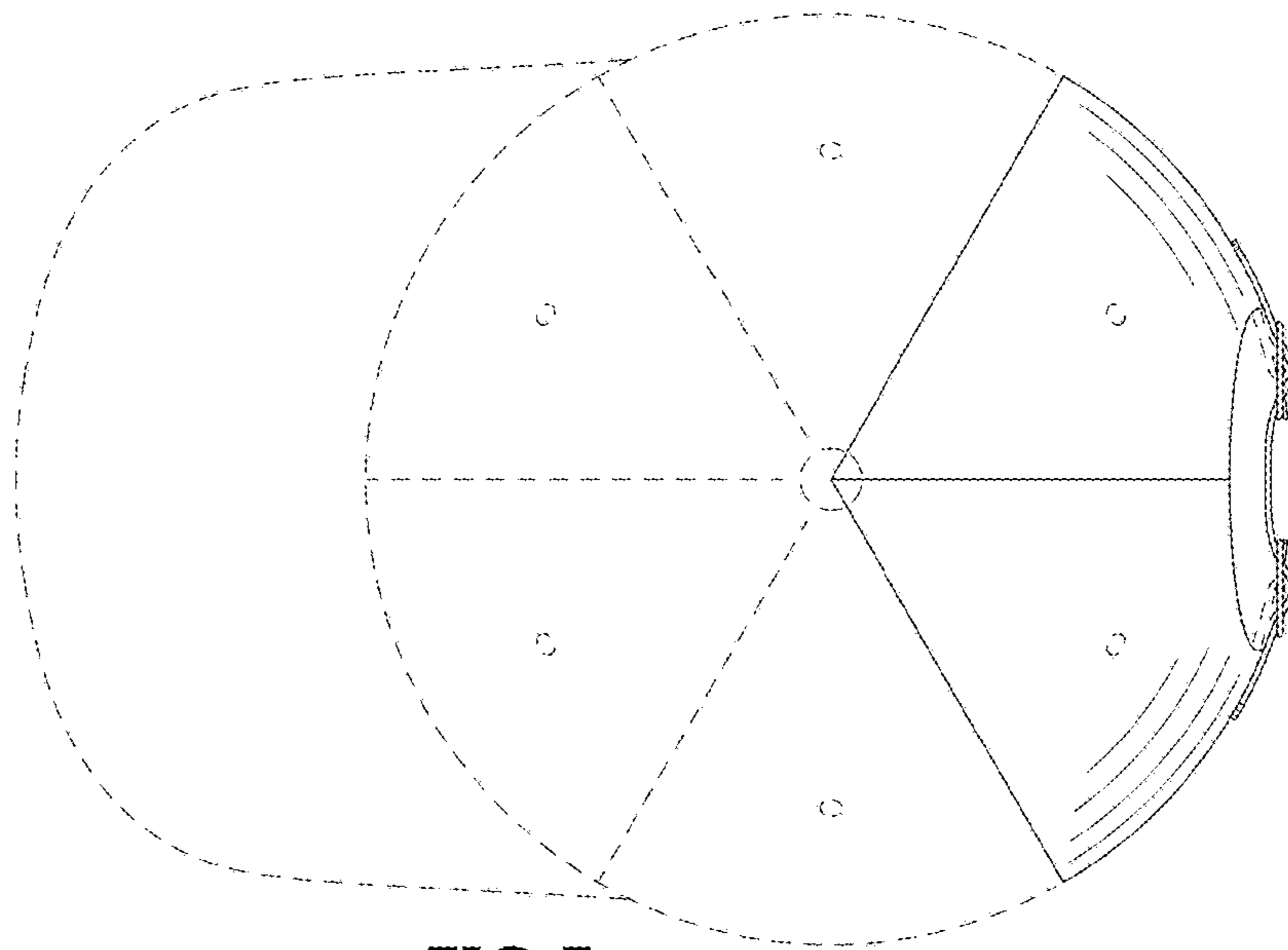


FIG.5

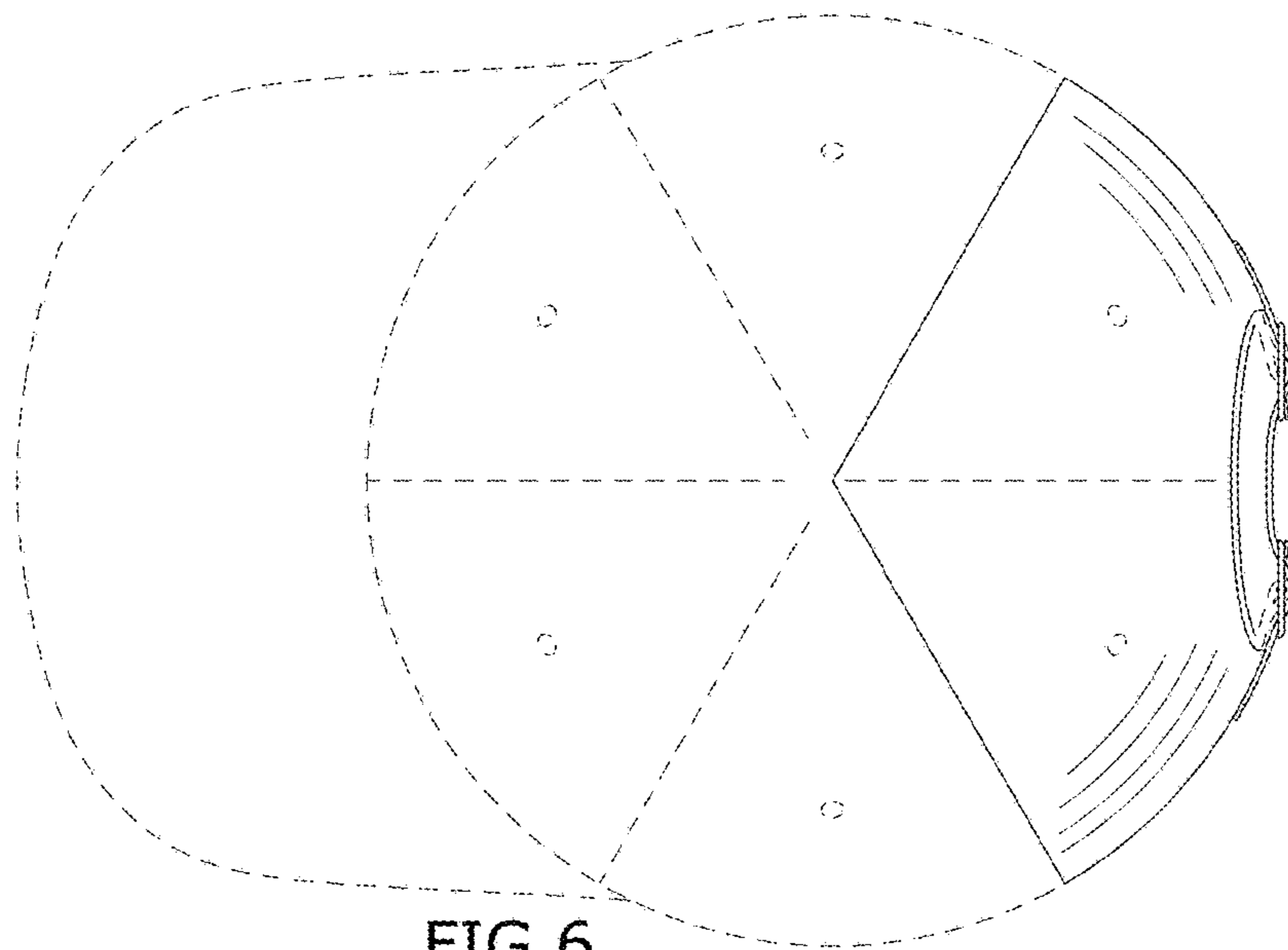


FIG.6