



US00D844938S

(12) **United States Design Patent**
Oakes

(10) **Patent No.:** **US D844,938 S**

(45) **Date of Patent:** **** Apr. 9, 2019**

(54) **SWIMSUIT**

(71) Applicant: **Mika Oakes**, Brooklyn, NY (US)

(72) Inventor: **Mika Oakes**, Brooklyn, NY (US)

(**) Term: **15 Years**

(21) Appl. No.: **29/645,332**

(22) Filed: **Apr. 25, 2018**

(51) **LOC (11) Cl.** **02-02**

(52) **U.S. Cl.**
USPC **D2/731**

(58) **Field of Classification Search**
USPC D2/731, 736-737, 706
CPC A41C 3/0014; A41C 3/00; A41D 7/00
See application file for complete search history.

(56) **References Cited**

U.S. PATENT DOCUMENTS

D167,394 S *	8/1952	Dubner	D2/706
D584,879 S *	1/2009	Venus	D2/706
D750,344 S *	3/2016	Stevens	D2/706
D765,948 S *	9/2016	McManus	D2/708
D785,903 S *	5/2017	Chaleangsak	D2/706
D805,730 S *	12/2017	Lorett	D2/706
D815,394 S *	4/2018	Stevens	D2/737
D821,055 S *	6/2018	Flower	D2/706
2017/0273365 A1 *	9/2017	Muhlenfeld	A41B 1/08

2018/0116303 A1* 5/2018 Alvarez A41D 7/00

* cited by examiner

Primary Examiner — Robin V Webster

Assistant Examiner — J. Thorn, Sr.

(74) *Attorney, Agent, or Firm* — Boag Law, PLLC

(57) **CLAIM**

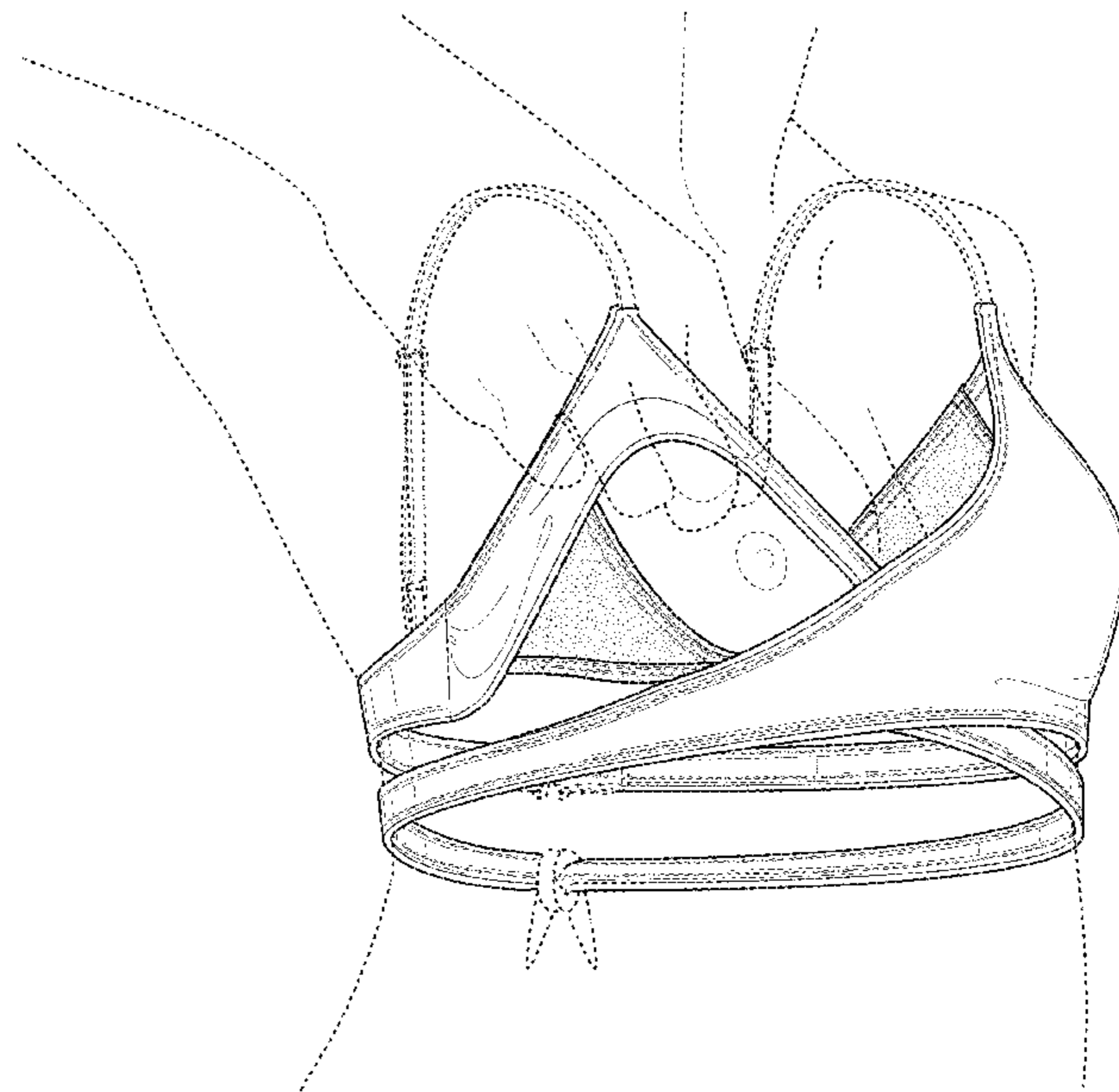
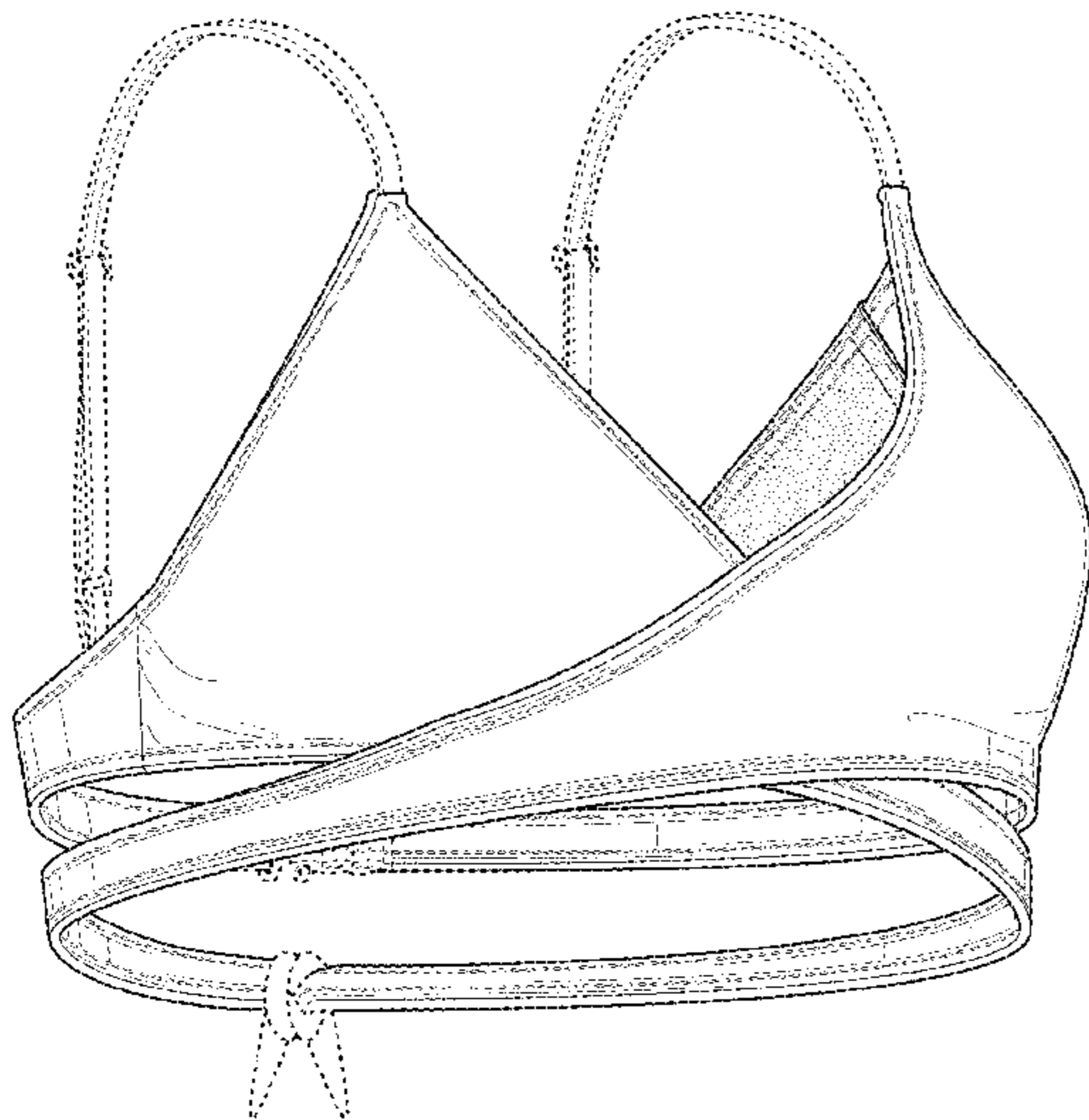
The ornamental design for a swimsuit, as shown and described.

DESCRIPTION

FIG. 1 is a perspective view of a swimsuit showing my new design;
 FIG. 2 is a front elevation view thereof;
 FIG. 3 is a back elevation view thereof;
 FIG. 4 is a left side elevation view thereof;
 FIG. 5 is a right side elevation view thereof;
 FIG. 6 is a top planar view thereof;
 FIG. 7 is a bottom planar view thereof;
 FIG. 8 is a back elevation view thereof of the design in a different configuration of use;
 FIG. 9 is a perspective view of the design in a different configuration of use; and,
 FIG. 10 is a front elevation view of FIG. 1, shown in another environment.

The broken lines are for illustrative purposes only and form no part of the claimed design.

1 Claim, 10 Drawing Sheets



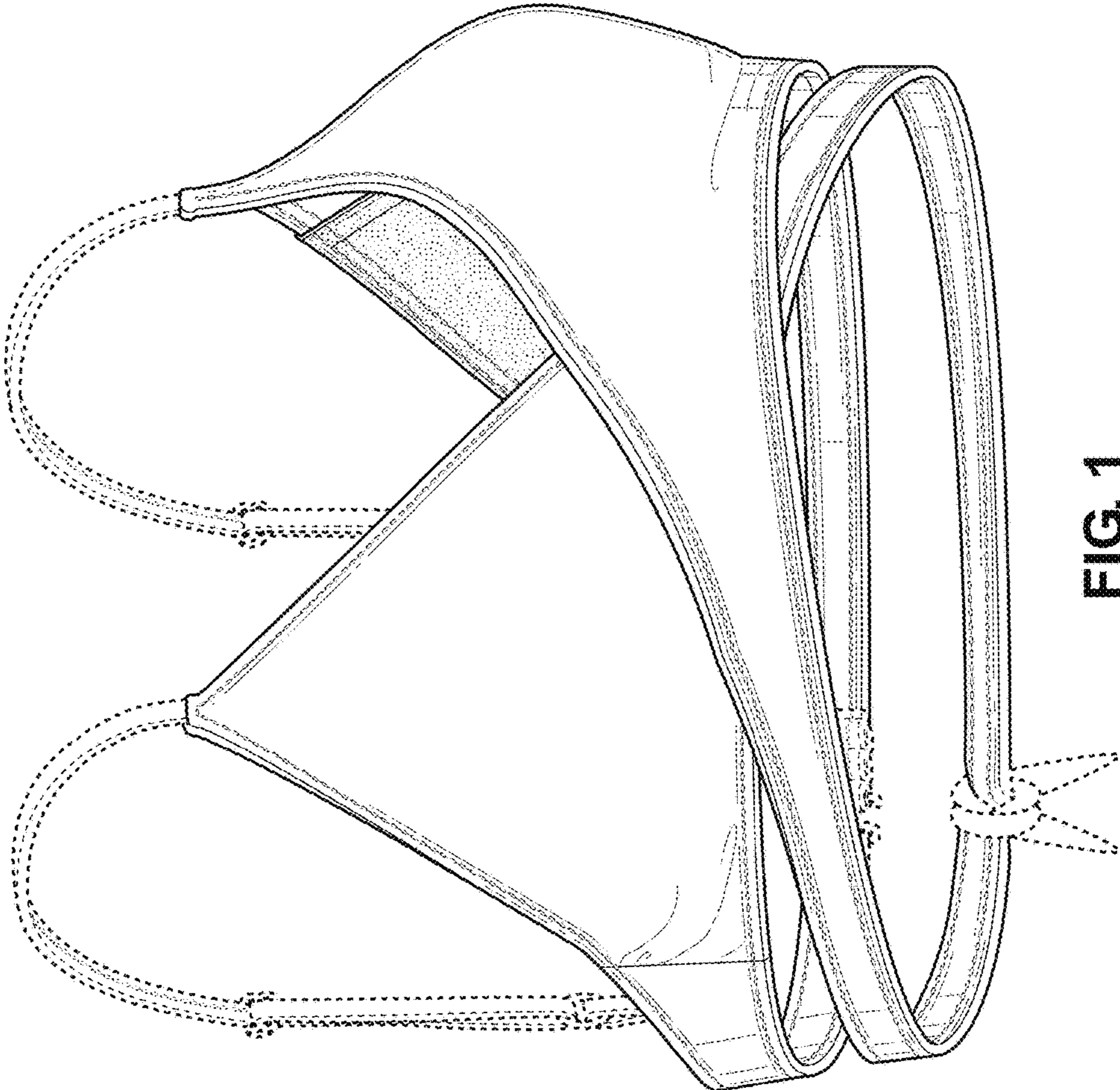


FIG. 1

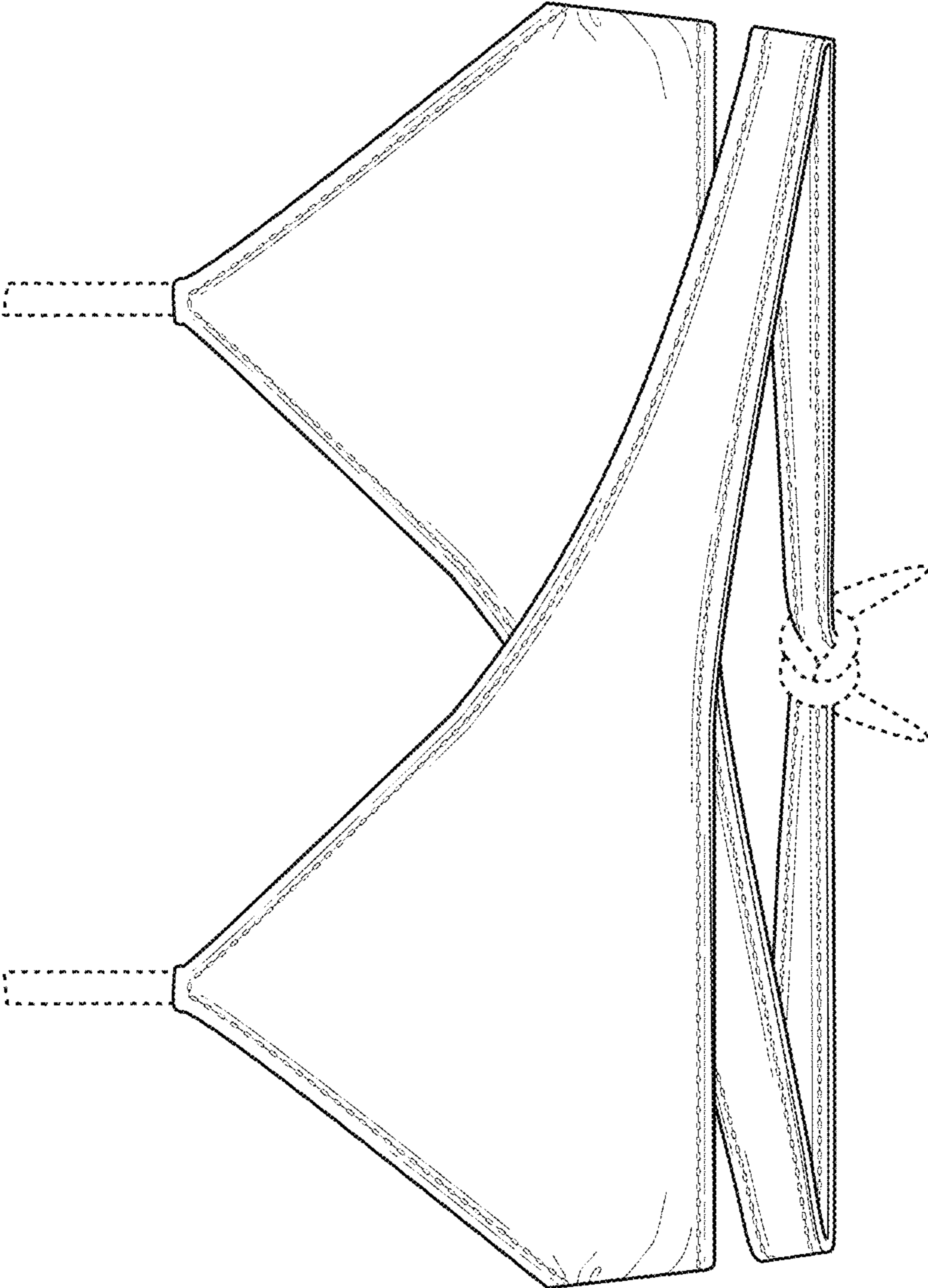


FIG. 2

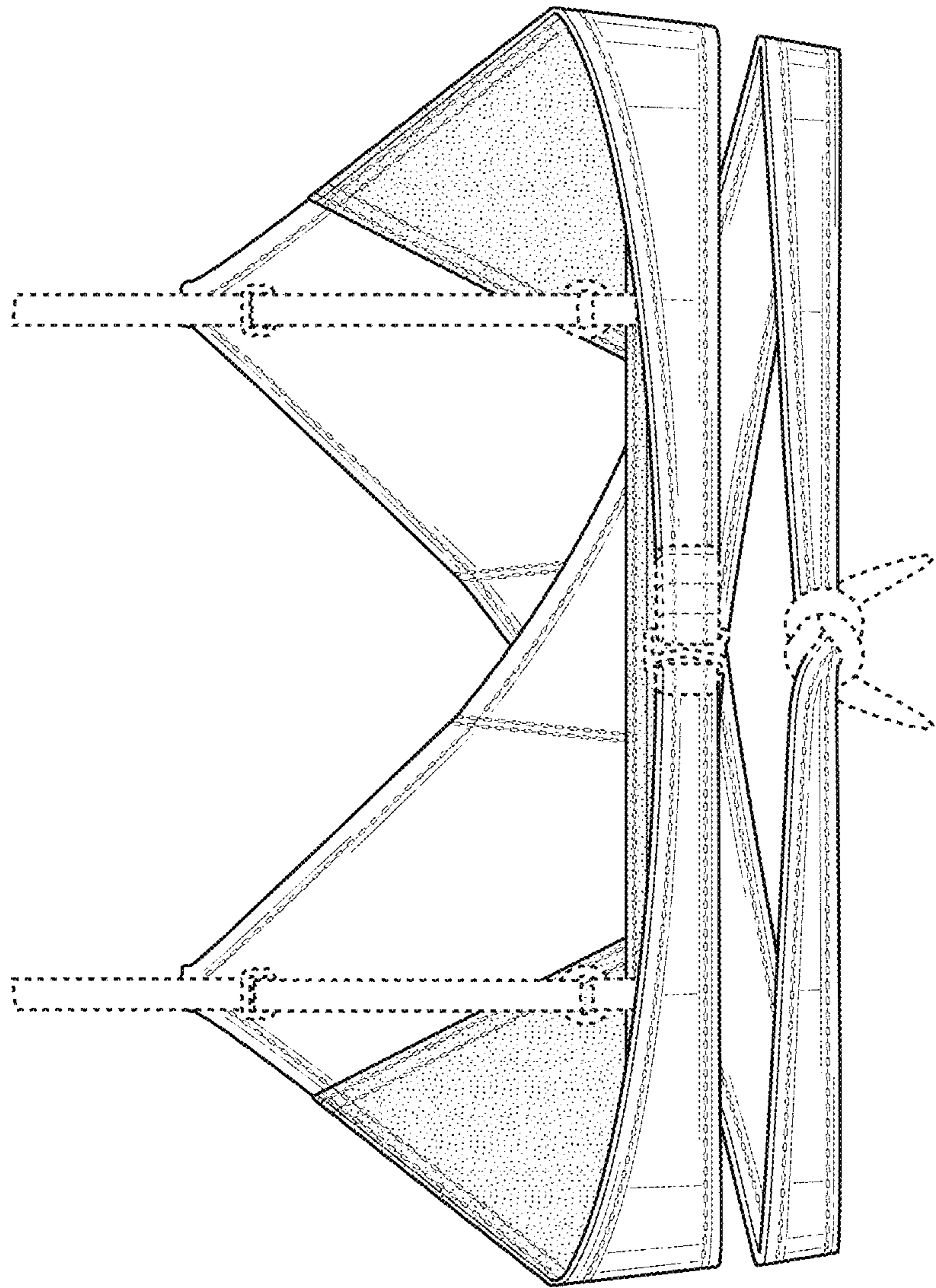


FIG. 3

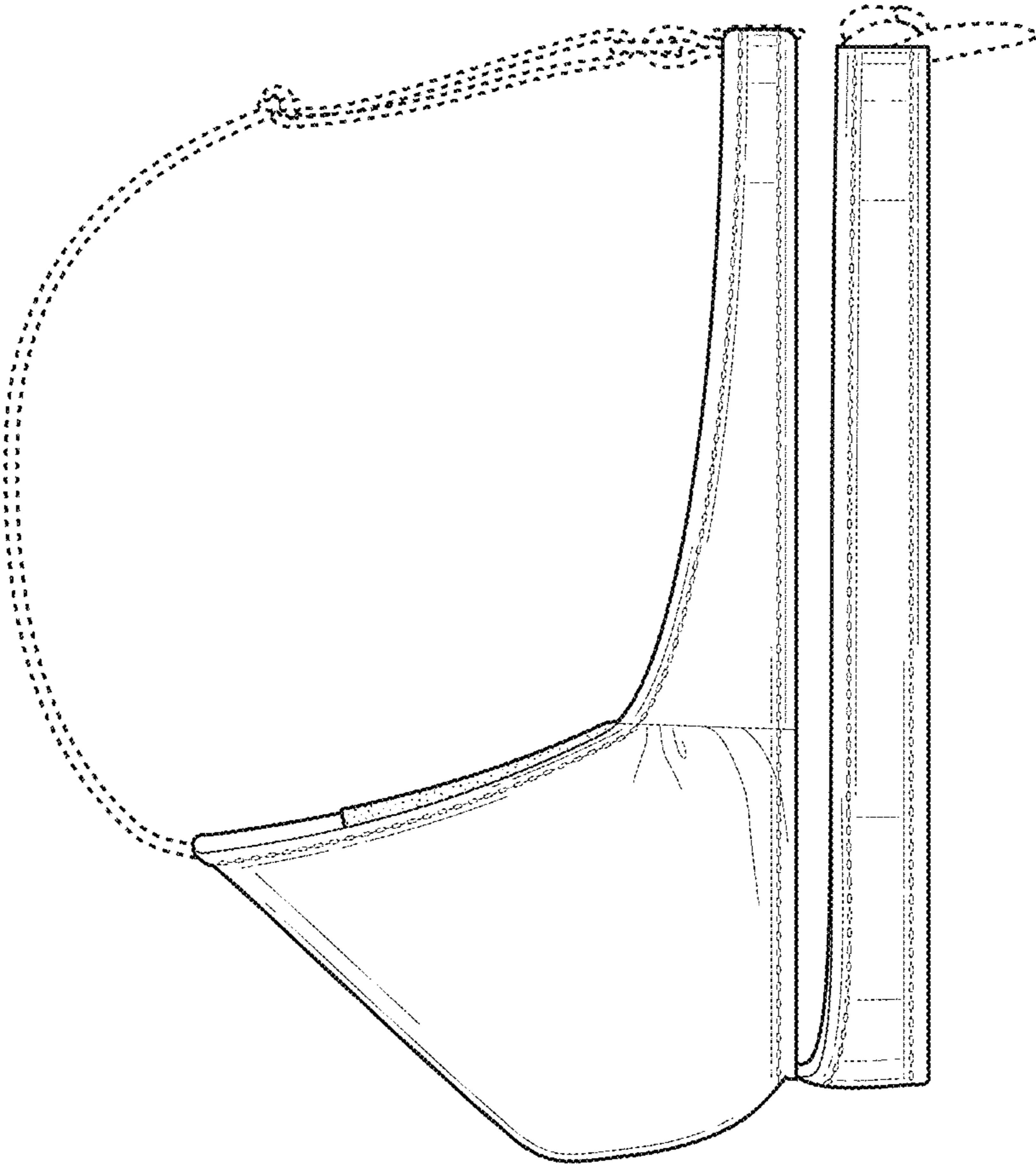


FIG. 4

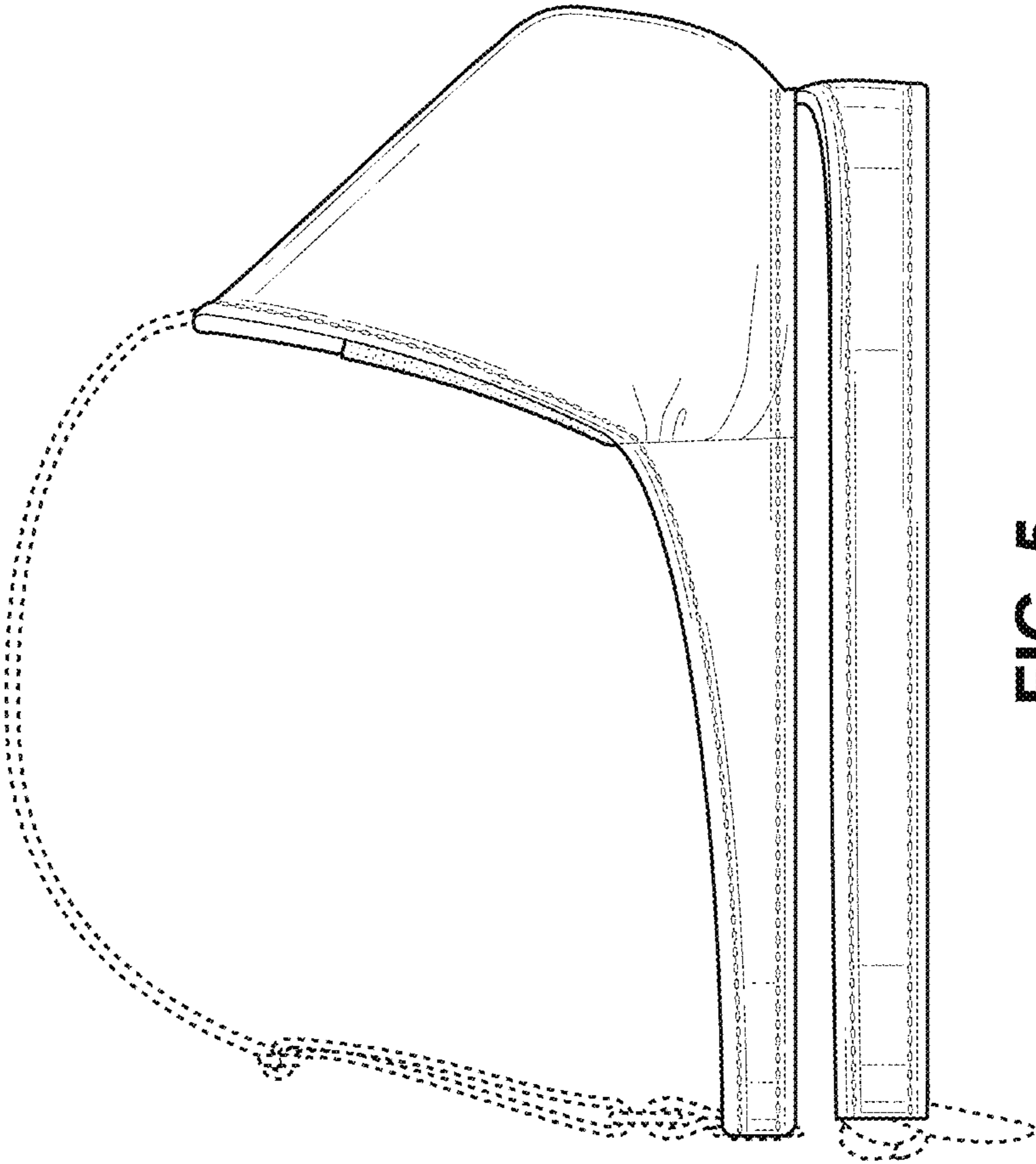


FIG. 5

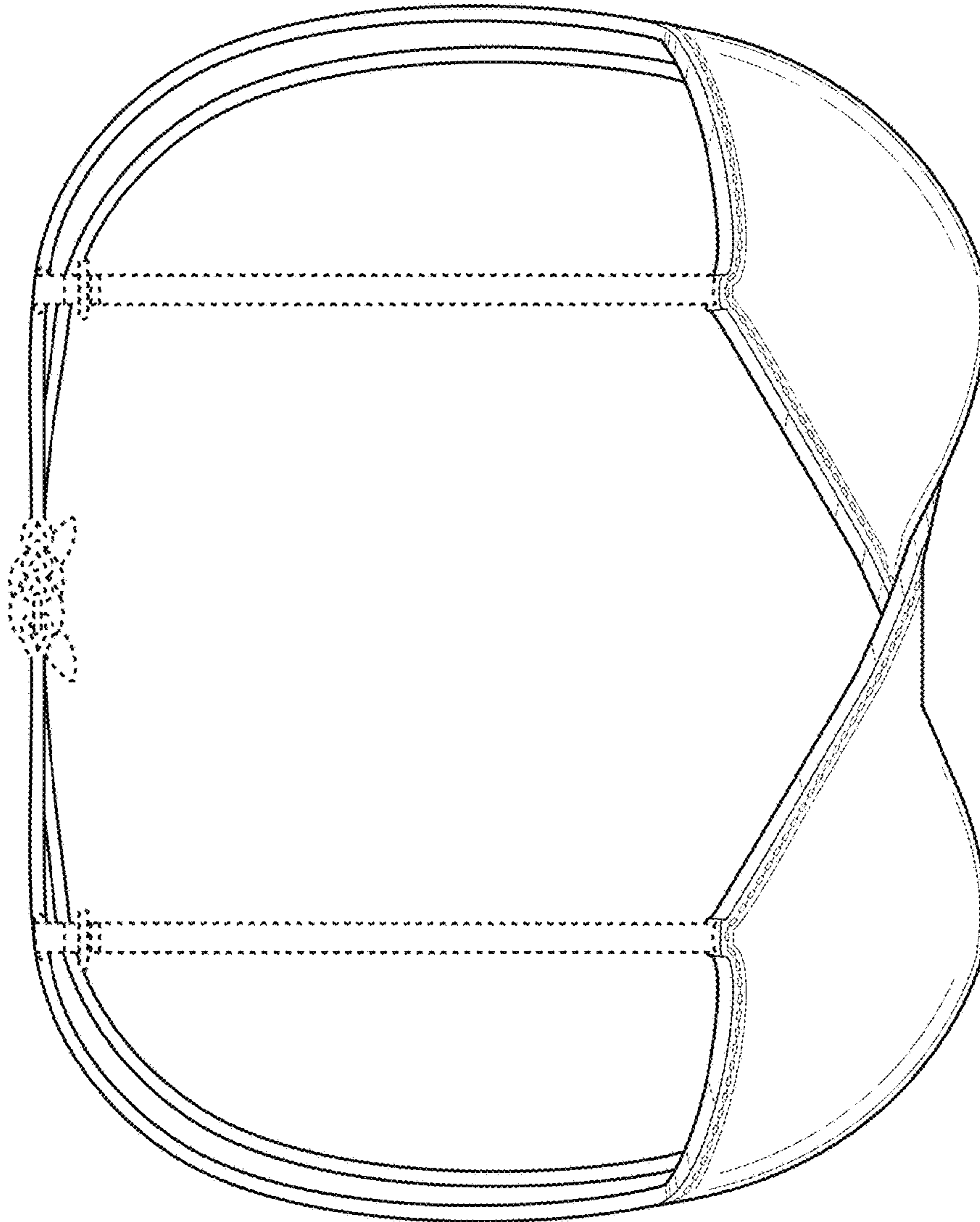


FIG. 6

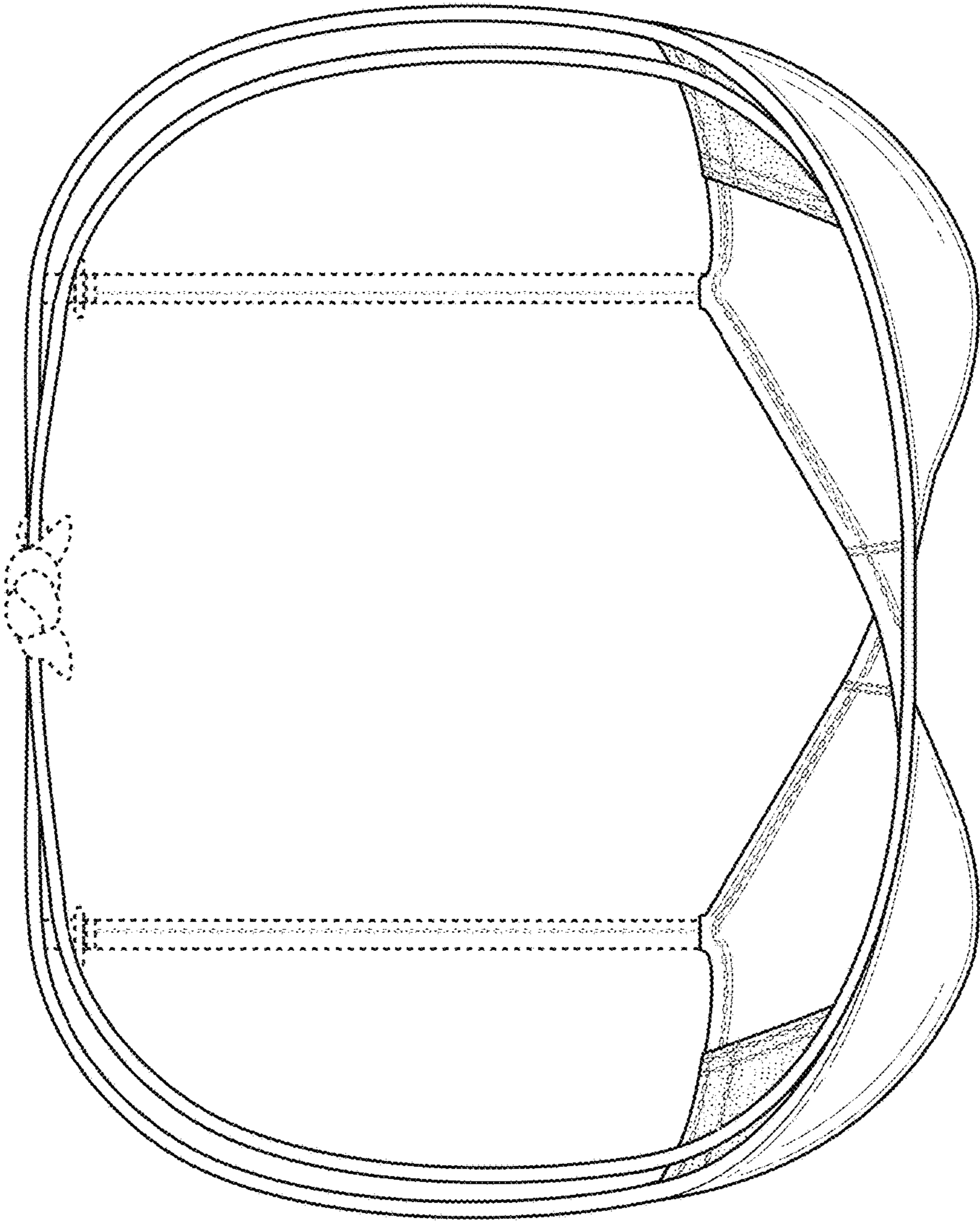


FIG. 7

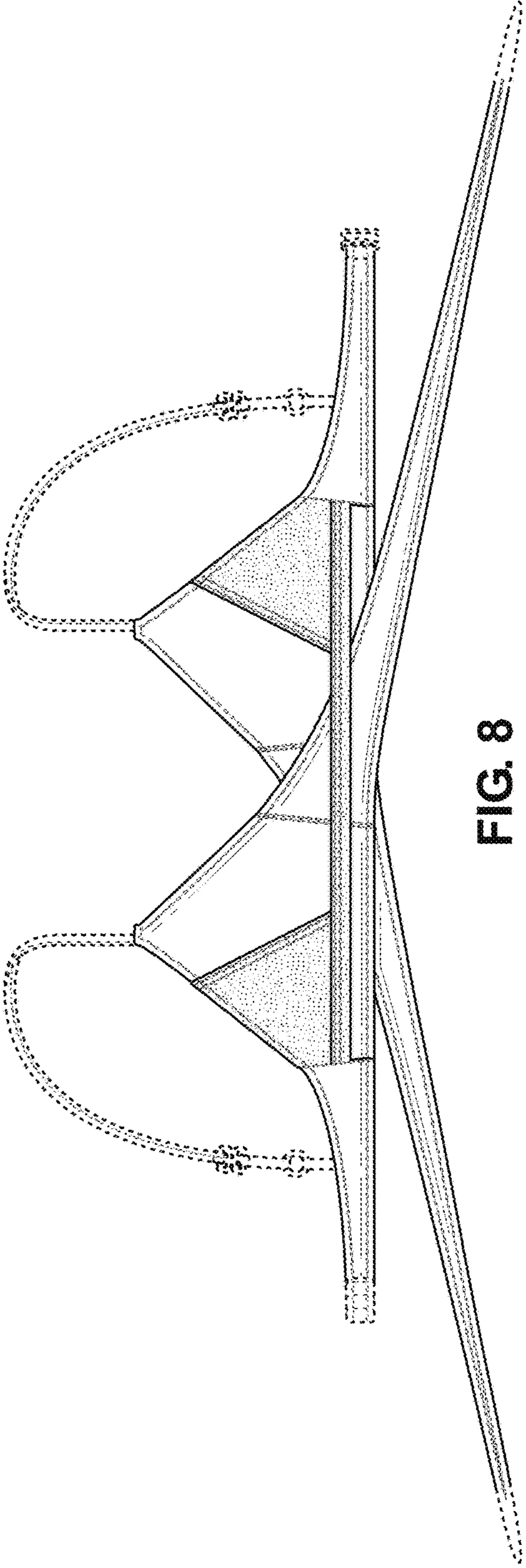


FIG. 8

