



US00D844929S

(12) **United States Design Patent**
Williams, Jr.

(10) **Patent No.:** **US D844,929 S**
(45) **Date of Patent:** **** Apr. 2, 2019**

(54) **BEAR COFFIN**

(71) Applicant: **Andy Williams, Jr.**, Elmhurst, IL (US)

(72) Inventor: **Andy Williams, Jr.**, Elmhurst, IL (US)

(**) Term: **15 Years**

(21) Appl. No.: **29/576,661**

(22) Filed: **Sep. 6, 2016**

(51) **LOC (11) Cl.** **03-01**

(52) **U.S. Cl.**

USPC **D99/3**

(58) **Field of Classification Search**

USPC D99/1, 2, 3, 4, 6, 7, 8, 11; D21/576,
D21/604, 605; D11/238, 239, 81, 82, 48,
D11/49, 158, 159; D1/110, 106

CPC A61G 19/00; A61G 17/00; A61G 17/001;
A61G 17/002; A61G 17/004; A61G
17/009; A61G 17/04; A61G 17/02; A61G
21/00; A61G 99/00; A62B 33/00

See application file for complete search history.

(56) **References Cited**

U.S. PATENT DOCUMENTS

- | | | | |
|----------------|---------|------------------|--------------------|
| D314,107 S * | 1/1991 | Lewis | D6/518 |
| D315,444 S * | 3/1991 | Maddocks | D21/604 |
| D318,554 S * | 7/1991 | Alpers | D1/110 |
| D324,307 S * | 3/1992 | Lin | D3/271.2 |
| D325,059 S * | 3/1992 | Smallwood | D21/604 |
| D335,199 S * | 5/1993 | Kesdekoglu | D1/110 |
| D358,300 S * | 5/1995 | Brown | D7/510 |
| D392,825 S * | 3/1998 | Markelonis | D6/518 |
| 6,370,744 B1 | 4/2002 | Mendez | |
| D483,817 S * | 12/2003 | Miller | D21/604 |
| 6,763,558 B1 | 7/2004 | Mytych | |
| D525,365 S * | 7/2006 | Mills | D21/604 |
| 7,308,741 B1 * | 12/2007 | Rydberg | A61G 17/08
27/1 |
| 7,434,298 B2 | 10/2008 | De La Fuente | |
| D583,045 S * | 12/2008 | Leal | D24/110 |

- | | | | |
|--------------|---------|--------------|---------|
| D629,584 S * | 12/2010 | Riehl | D99/5 |
| D682,366 S * | 5/2013 | Perez | D21/604 |
| D690,995 S * | 10/2013 | Franco | D7/515 |
| D692,278 S * | 10/2013 | Perez | D11/149 |
| D783,737 S * | 4/2017 | Batten | D21/604 |
| D789,210 S * | 6/2017 | Oaknin | D9/608 |

(Continued)

FOREIGN PATENT DOCUMENTS

CN 201295358 Y * 8/2009

OTHER PUBLICATIONS

Teddy Bear Memory, posted © 2018 [online], retrieved Apr. 27, 2018, retrieved from internet, <<http://coffincompany.co.uk/teddy-bear-abstract-coffin>>.*

(Continued)

Primary Examiner — Barbara Fox

Assistant Examiner — Messina L Smith

(74) *Attorney, Agent, or Firm* — Michael Best & Friedrich LLP

(57) **CLAIM**

The ornamental design for a bear coffin, as shown and described.

DESCRIPTION

FIG. 1 is a perspective view of a bear coffin showing my new design.

FIG. 2 is a top plan view of the bear coffin of FIG. 1.

FIG. 3 is a bottom plan view of the bear coffin of FIG. 1.

FIG. 4 is a front elevation view of the bear coffin of FIG. 1.

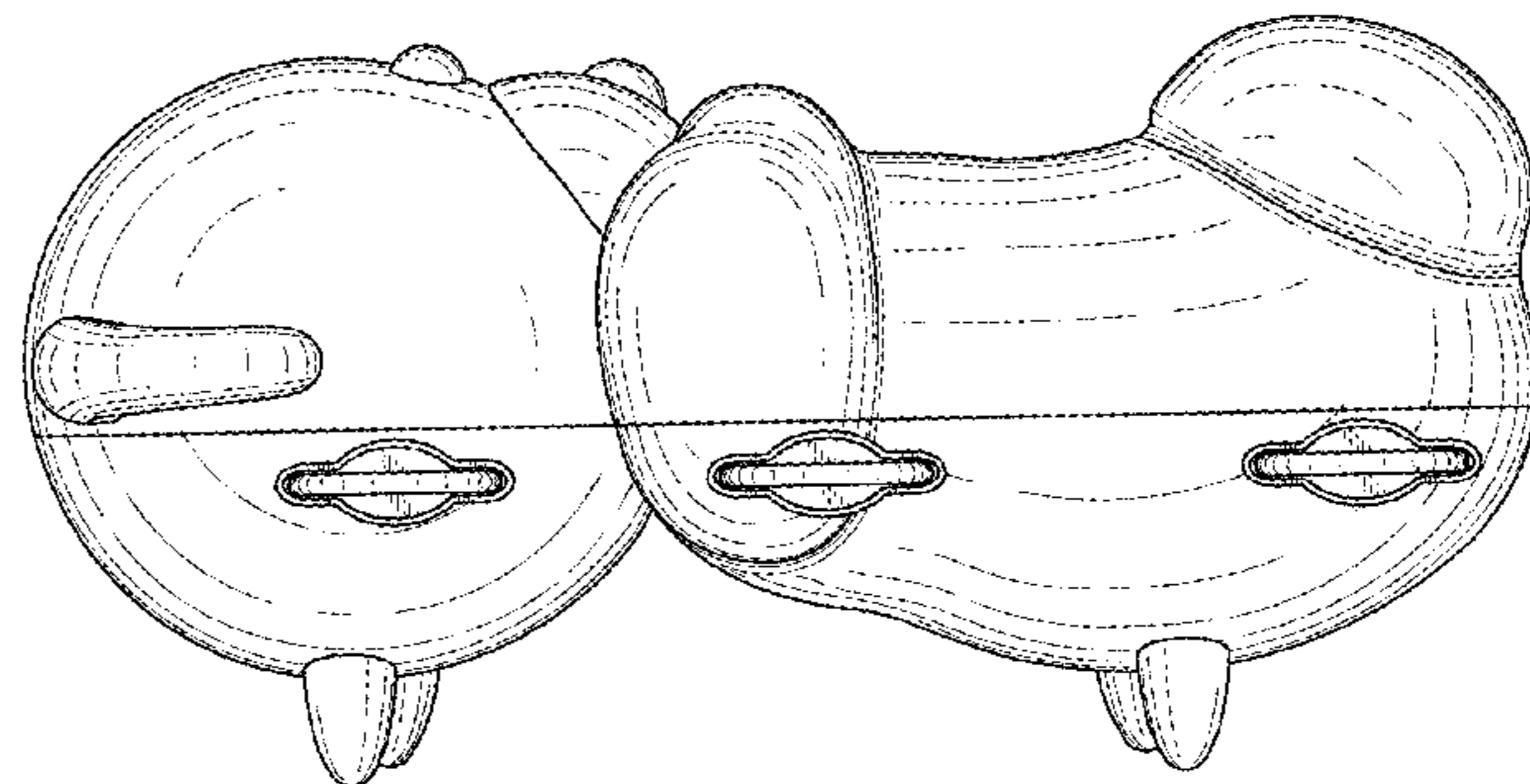
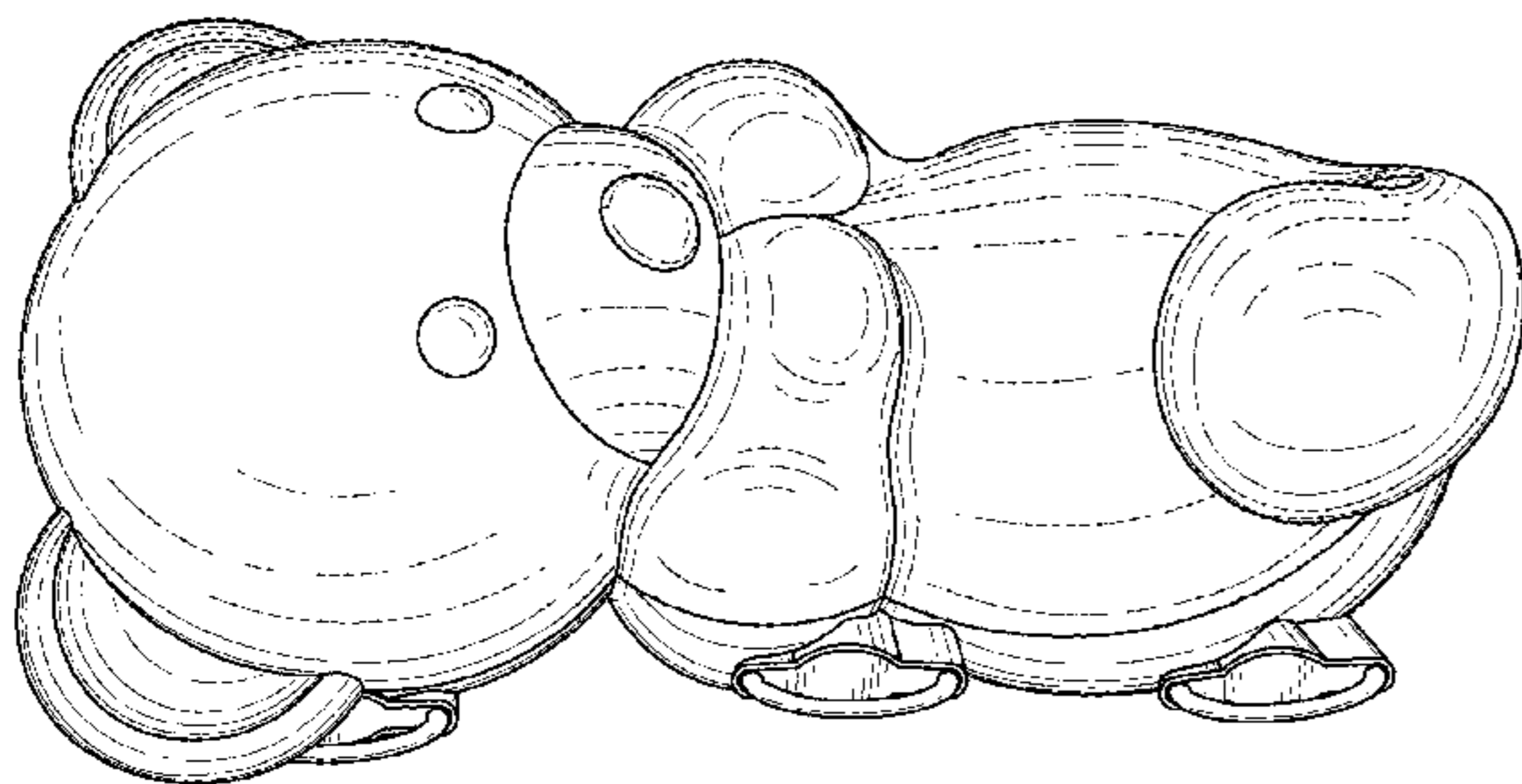
FIG. 5 is a rear elevation view of the bear coffin of FIG. 1.

FIG. 6 is a left side elevation view of the bear coffin of FIG. 1; and,

FIG. 7 is a right side elevation view of the bear coffin of FIG. 1.

1.

1 Claim, 7 Drawing Sheets



(56)

References Cited

U.S. PATENT DOCUMENTS

D793,746 S * 8/2017 Rivera D21/604
D797,208 S * 9/2017 Jiencke D21/604
D812,697 S * 3/2018 Simms D21/659
9,925,470 B1 * 3/2018 Palacio A63H 3/005
2008/0032594 A1 * 2/2008 Magener A63H 3/005
446/369
2012/0174871 A1 * 7/2012 Grabois A01K 63/06
2013/0331000 A1 * 12/2013 Drozdowski et al. ... A63H 3/02

OTHER PUBLICATIONS

Teddy Bear Shaped Plastic Sweet Favor Container, posted Jan. 21, 2015 [online], retrieved Apr. 27, 2018, retrieved from internet, <<https://www.amazon.co.uk/Plastic-Container-General-Giftware-Wedding/dp/B00S8OUXUQ>>.*

Transparent teddy bear shaped container, posted © 1999-2018 [online], retrieved Apr. 27, 2018, retrieved from internet, <https://www.alibaba.com/product-detail/Transparent-teddy-bear-shaped-container_60603490778.html>.*

Lovely Bear Shaped Velvet Ring Earring Jewelry Box Gift Case, posted Mar. 12, 2016 [online], retrieved Apr. 27, 2018, retrieved from internet, <https://www.banggood.com/Lovely-Bear-Shaped-Velvet-Ring-Earring-Jewelry-Box-Gift-Case-p-949355.html?cur_warehouse=CN>.*

* cited by examiner

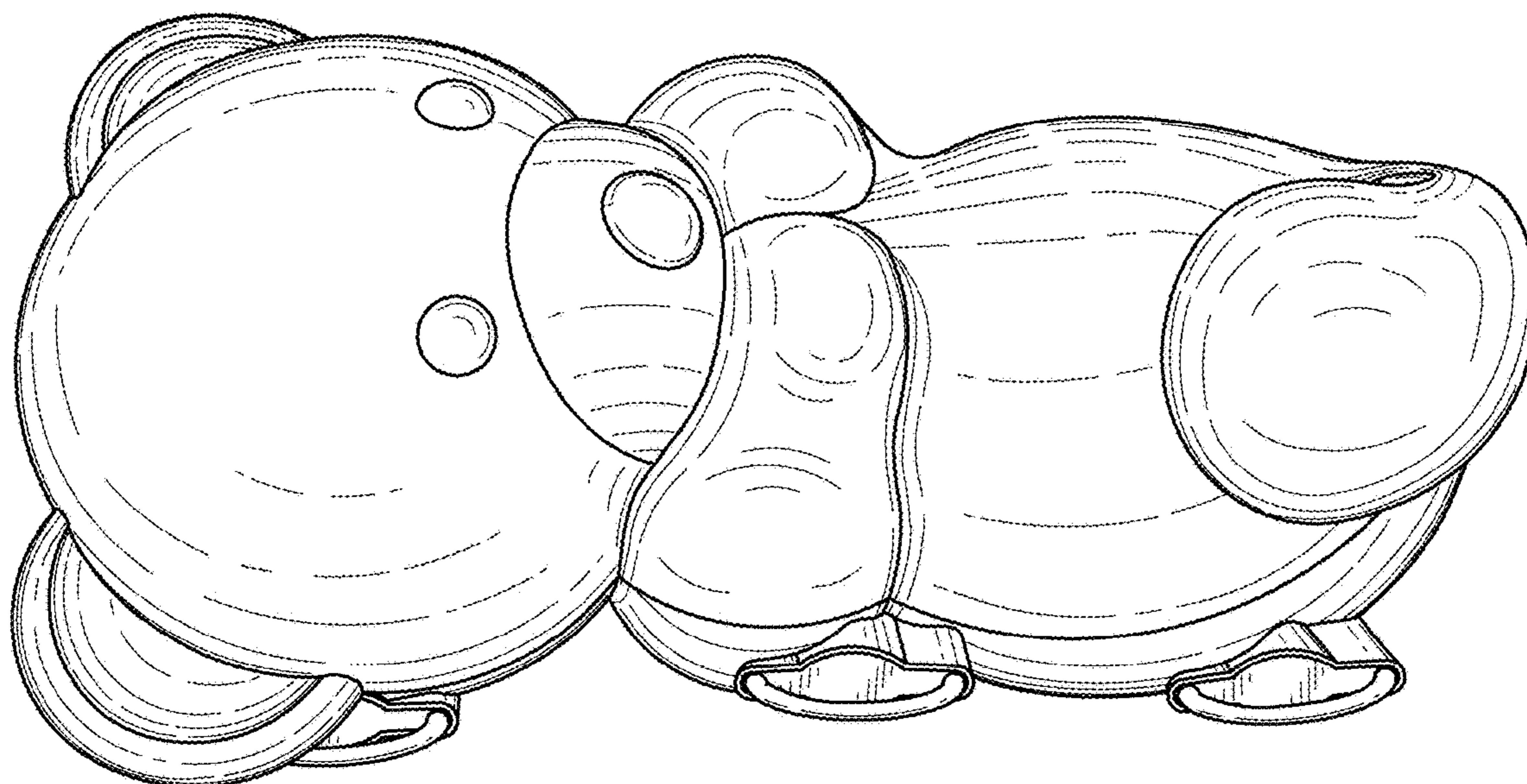


FIG.1

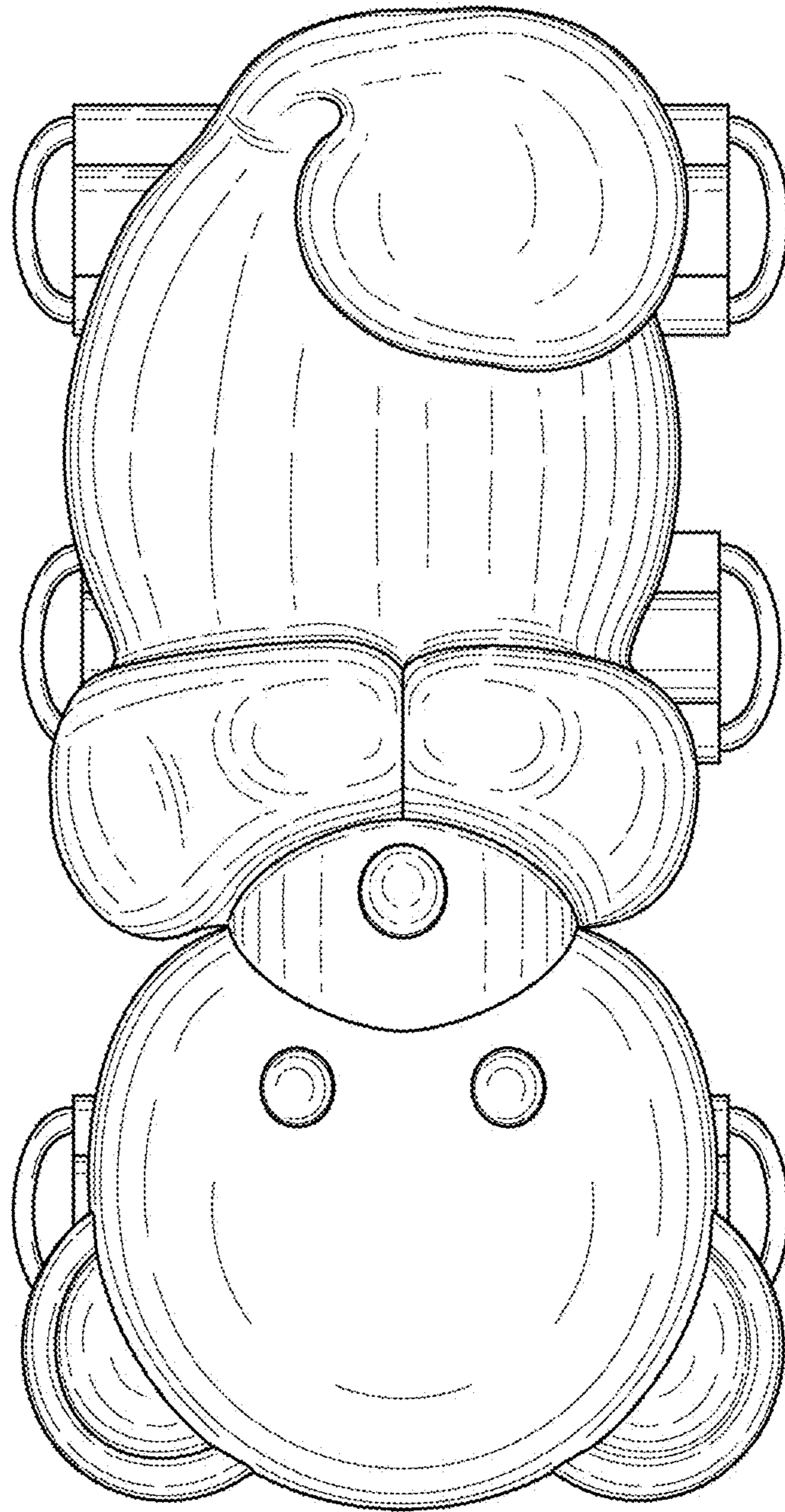


FIG.2

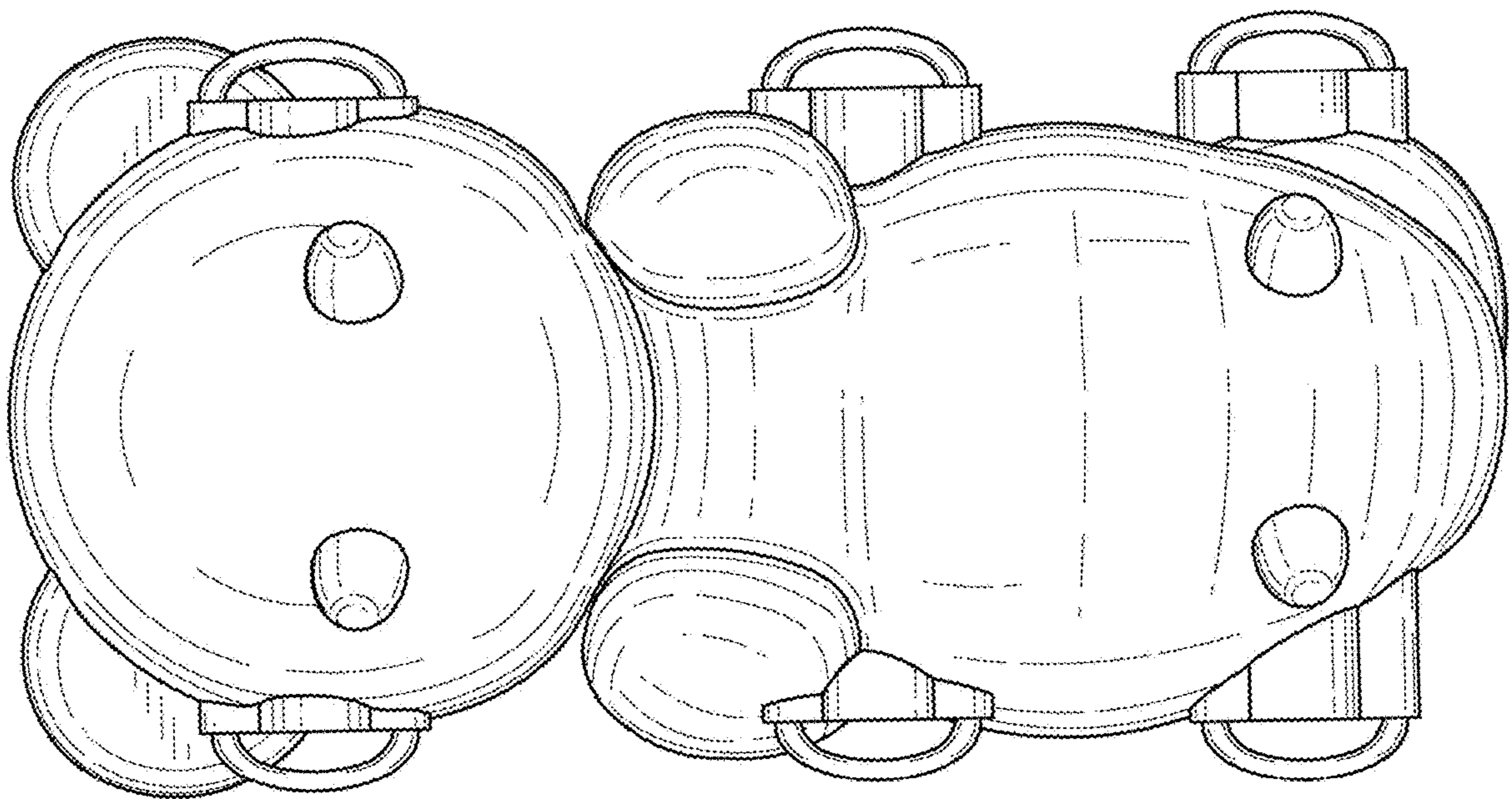


FIG.3

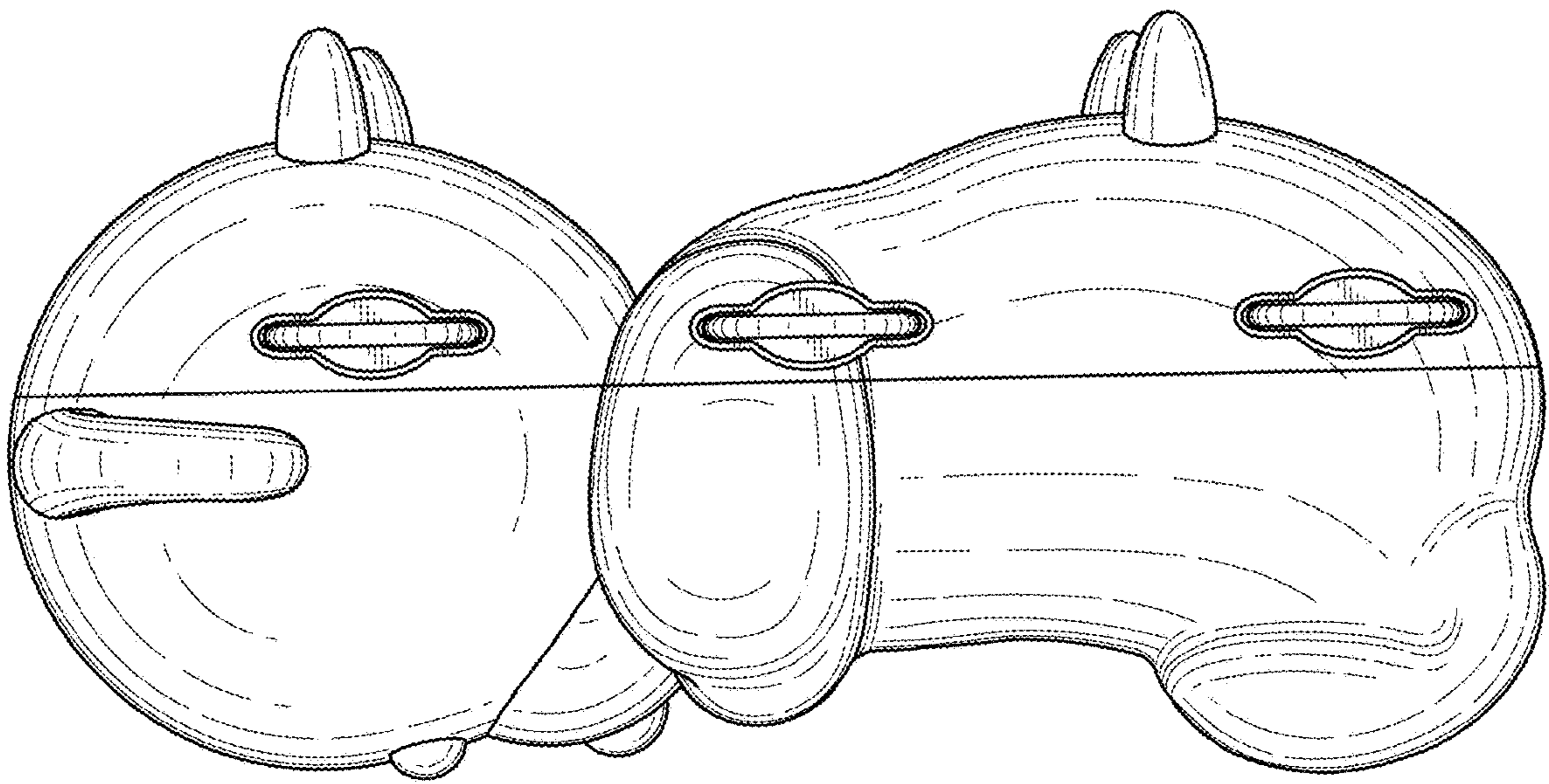


FIG.4

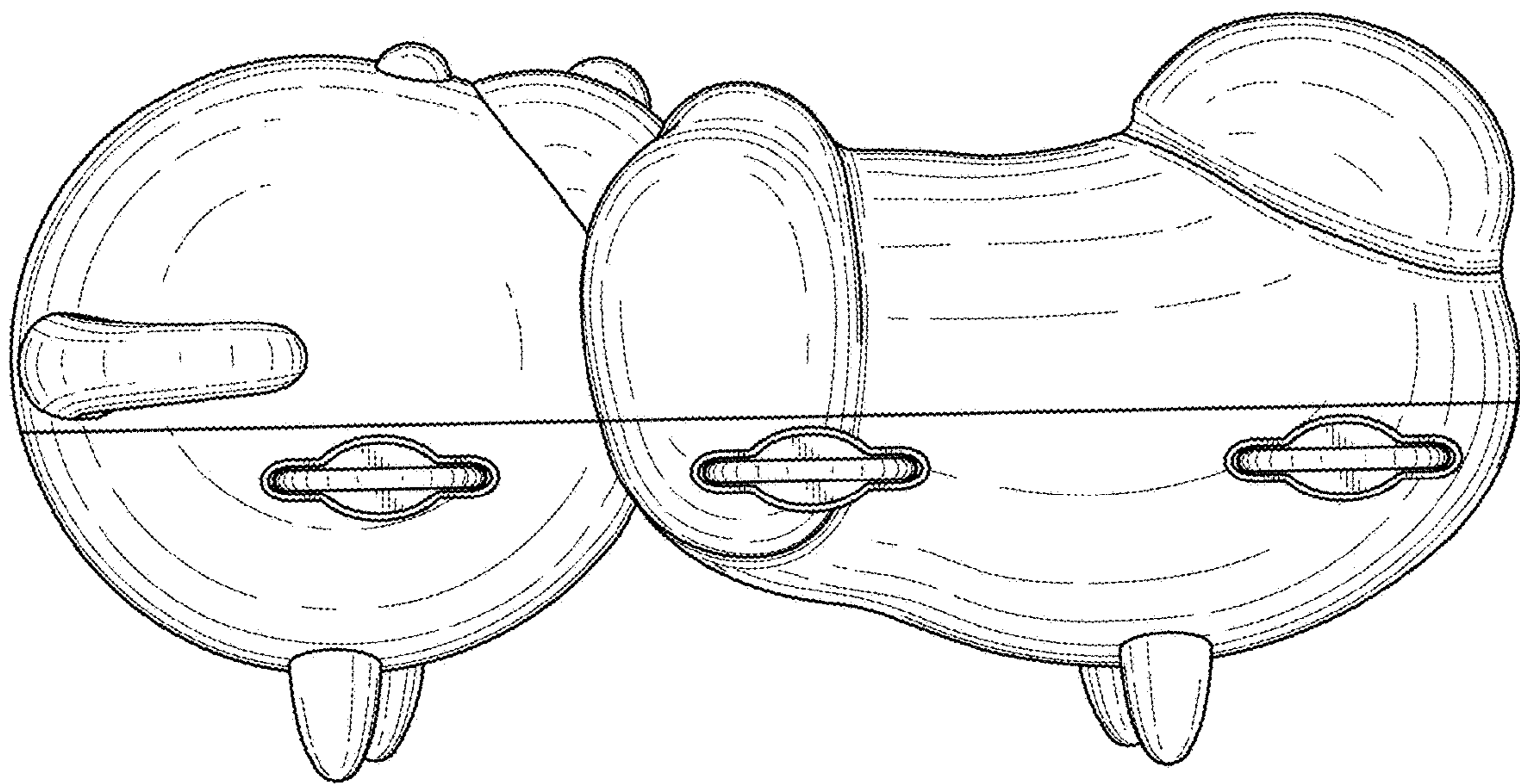


FIG.5

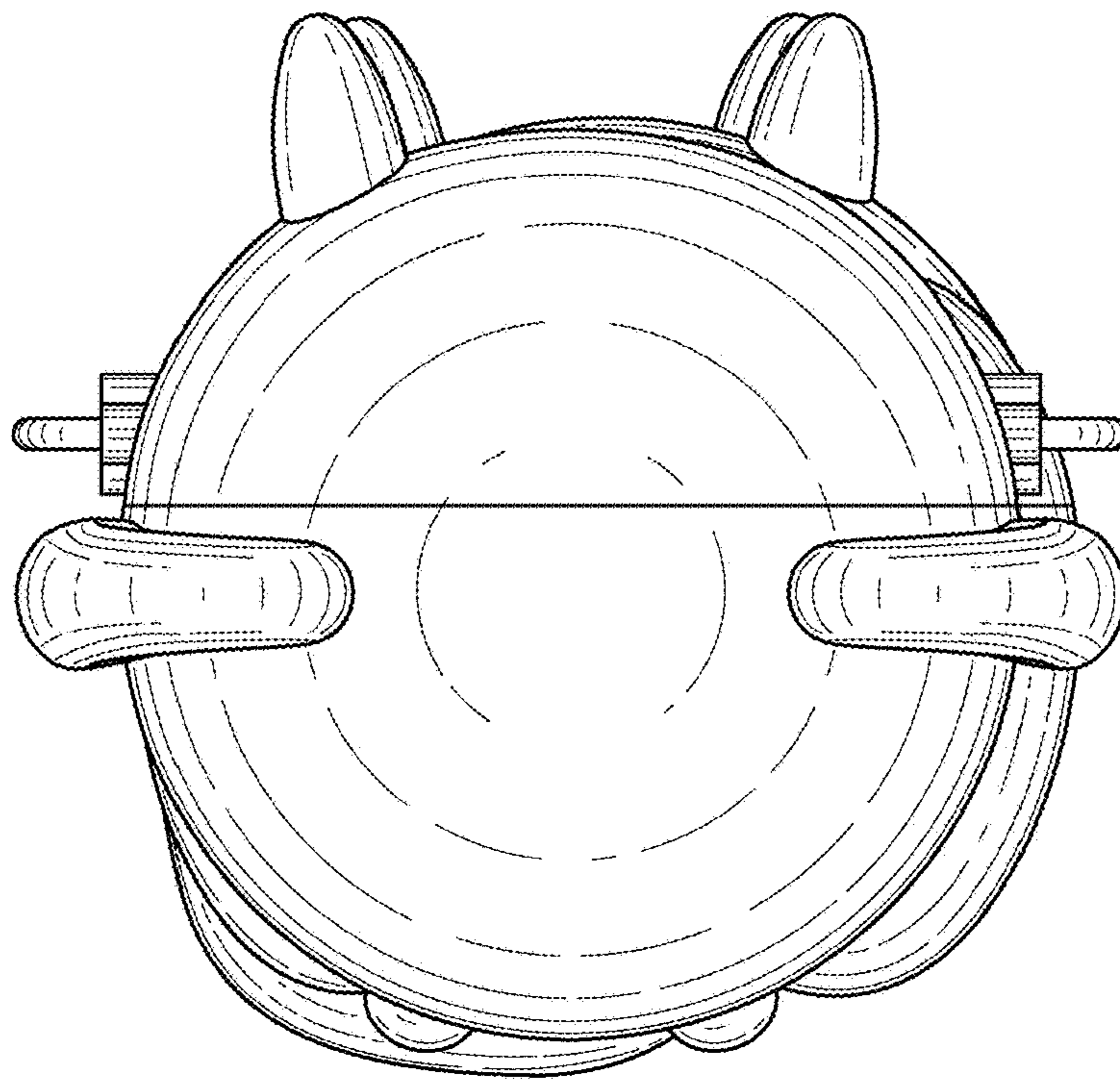


FIG.6

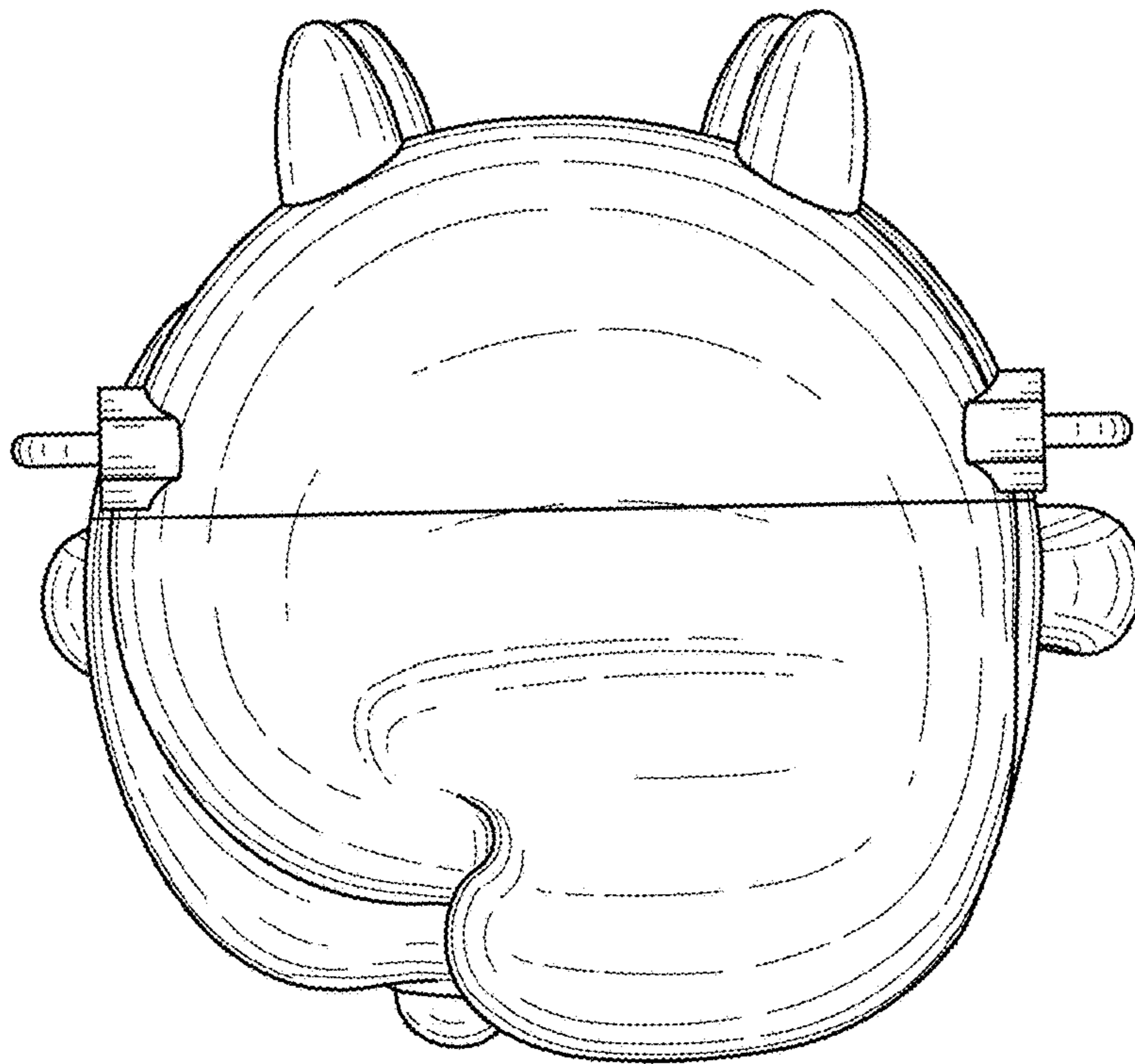


FIG. 7