



US00D844924S

(12) **United States Design Patent** (10) **Patent No.:** **US D844,924 S**
Schauerhuber (45) **Date of Patent:** **** Apr. 2, 2019**

(54) **LAUNDRY RACK** D762,934 S * 8/2016 Evans D32/55
D765,335 S * 8/2016 Cooper D32/58
(71) Applicant: **CASA SI Marketing und** D776,385 S * 1/2017 Evans D32/55
VertriebsgmbH, Vienna (AT) D790,143 S * 6/2017 Kelly D32/58
D816,286 S * 4/2018 Kim D32/55
(72) Inventor: **Hermann Schauerhuber, Purkersdorf** D816,932 S * 5/2018 Eilmus D32/55
(AT) D825,128 S * 8/2018 Nolen, Sr. D32/58
D827,239 S * 8/2018 Xie D32/58
D827,965 S * 9/2018 Barre D32/58
(73) Assignee: **CASA SI MARKETING AND** 2007/0012638 A1 * 1/2007 Van Eijk D06F 57/08
VERTRIEBSGMBH, Vienna (AT) 211/104
2013/0228540 A1 * 9/2013 Oh D06F 57/10
211/85.3
(**) Term: **15 Years** 2018/0160801 A1 * 6/2018 Felsenthal A47F 5/137

(21) Appl. No.: **29/640,791**

(22) Filed: **Mar. 16, 2018**

(30) **Foreign Application Priority Data**

Feb. 5, 2018 (EM) 0046949410001

(51) **LOC (11) Cl.** **07-05**

(52) **U.S. Cl.**
USPC **D32/58**

(58) **Field of Classification Search**
USPC D32/55, 276, 3, 58; D6/510, 525;
211/41.5, 41.4, 41.3, 41.8, 195, 200;
361/679.4; 312/311, 333, 334.4;
D7/354, 629, 368
CPC .. F26B 25/18; F26B 9/003; A61L 9/20; A47F
3/08; A47B 43/00; D06F 57/12
See application file for complete search history.

(56) **References Cited**

U.S. PATENT DOCUMENTS

D650,542 S * 12/2011 Kontorovich D32/58
D706,009 S * 5/2014 Cooper D32/55
D720,907 S * 1/2015 Perez D32/58
D737,532 S * 8/2015 Oh D32/58
D760,984 S * 7/2016 Eilmus D32/55
D761,512 S * 7/2016 Eilmus D32/55

* cited by examiner

Primary Examiner — Austin Murphy

(74) *Attorney, Agent, or Firm* — Fitch, Even, Tabin & Flannery, LLP

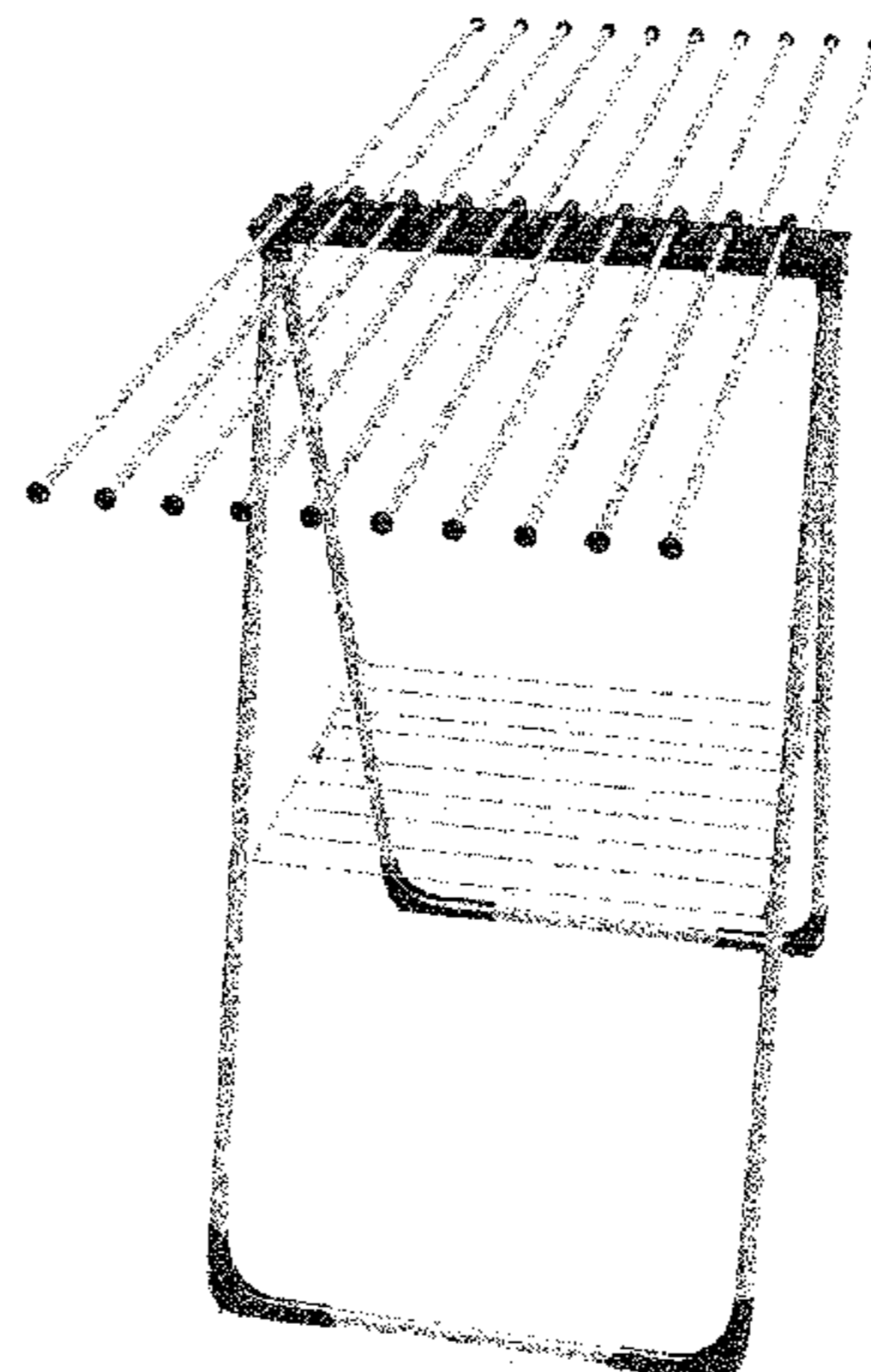
(57) **CLAIM**

The ornamental design for a laundry rack, as shown and described.

DESCRIPTION

FIG. 1 is a perspective view of the laundry rack design in an open position;
FIG. 2 is a front perspective view of the design shown in FIG. 1 in an open position;
FIG. 3 is a side perspective view of the design shown in FIG. 1 in an open position;
FIG. 4 is a perspective view of the design shown in FIG. 1 with the left side in an open position;
FIG. 5 is a perspective view of the design shown in FIG. 1 with the right side in an open position;
FIG. 6 is a perspective view of the design shown in FIG. 1, with the right and left side in a closed position; and,
FIG. 7 is a front perspective view of the design shown in FIG. 1 in a closed position.

1 Claim, 7 Drawing Sheets



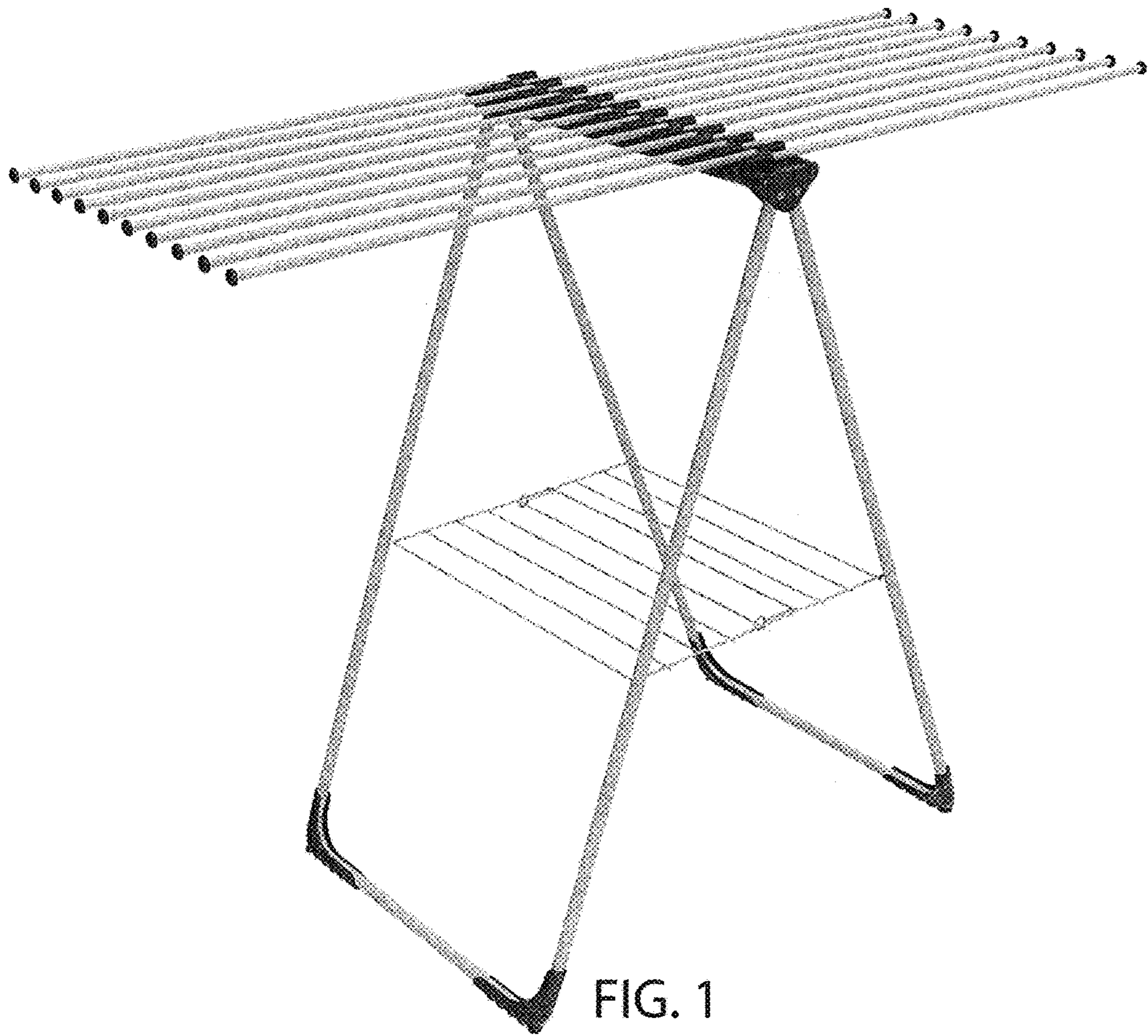


FIG. 1

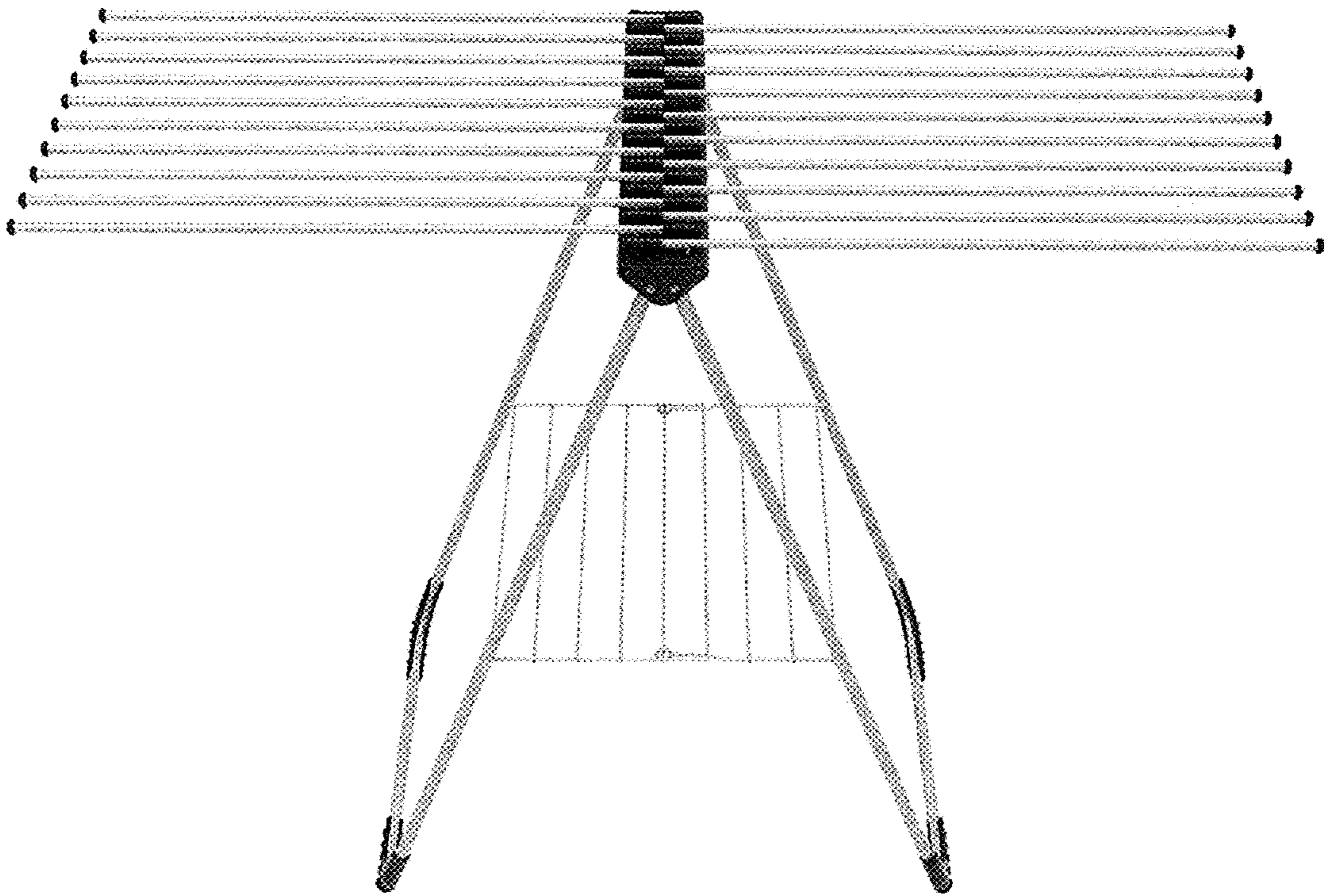


FIG. 2

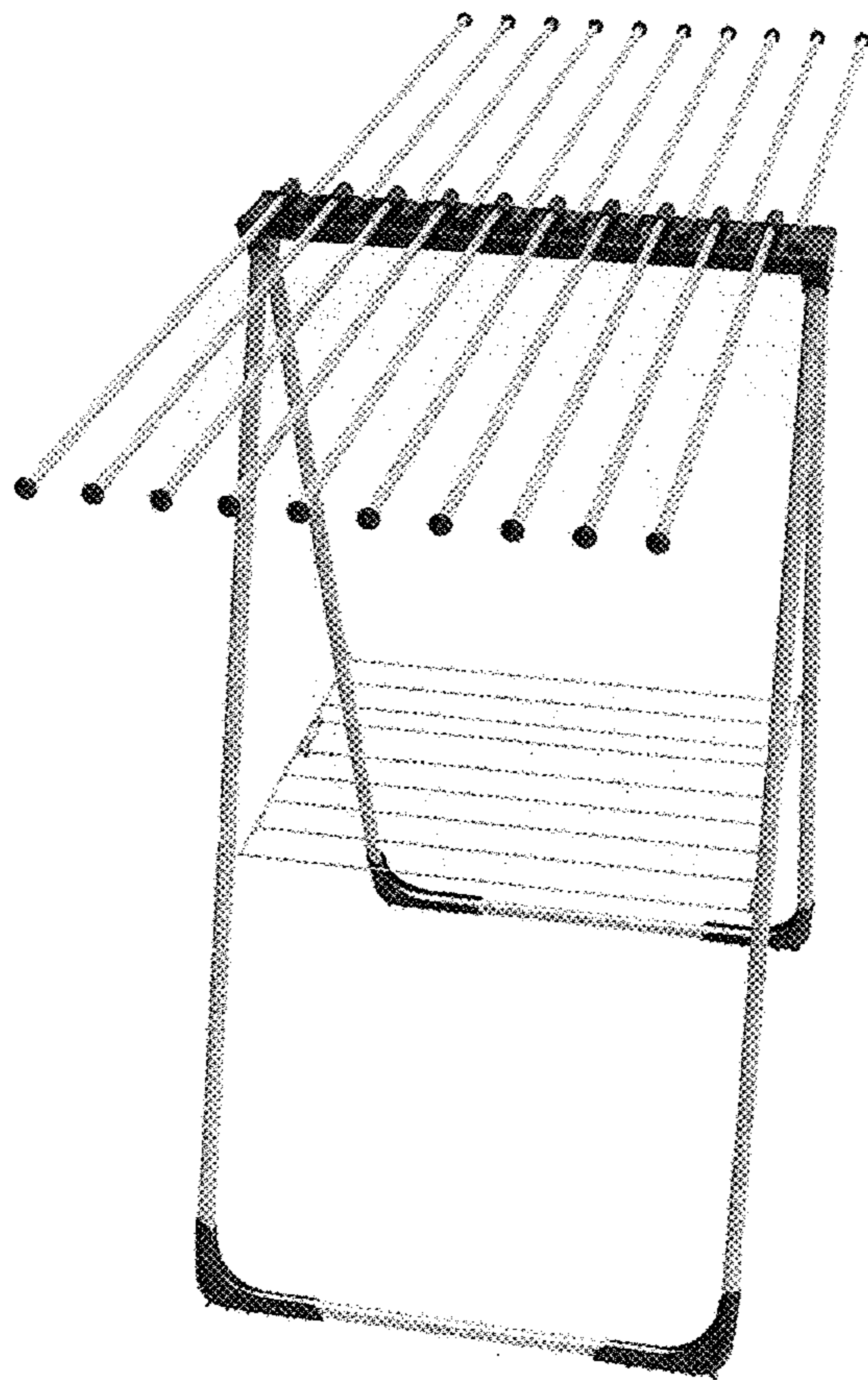


FIG. 3

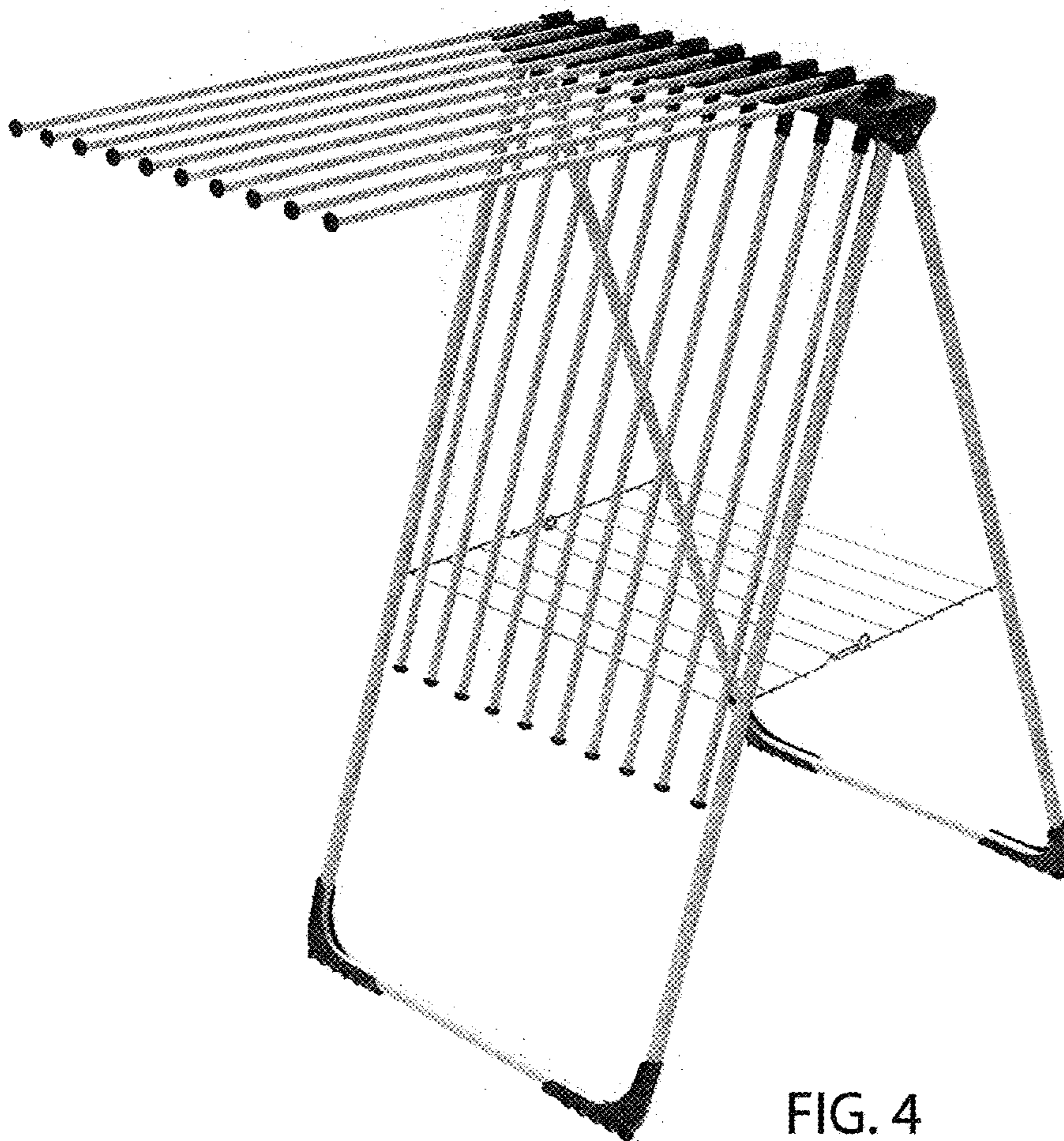


FIG. 4



FIG. 5

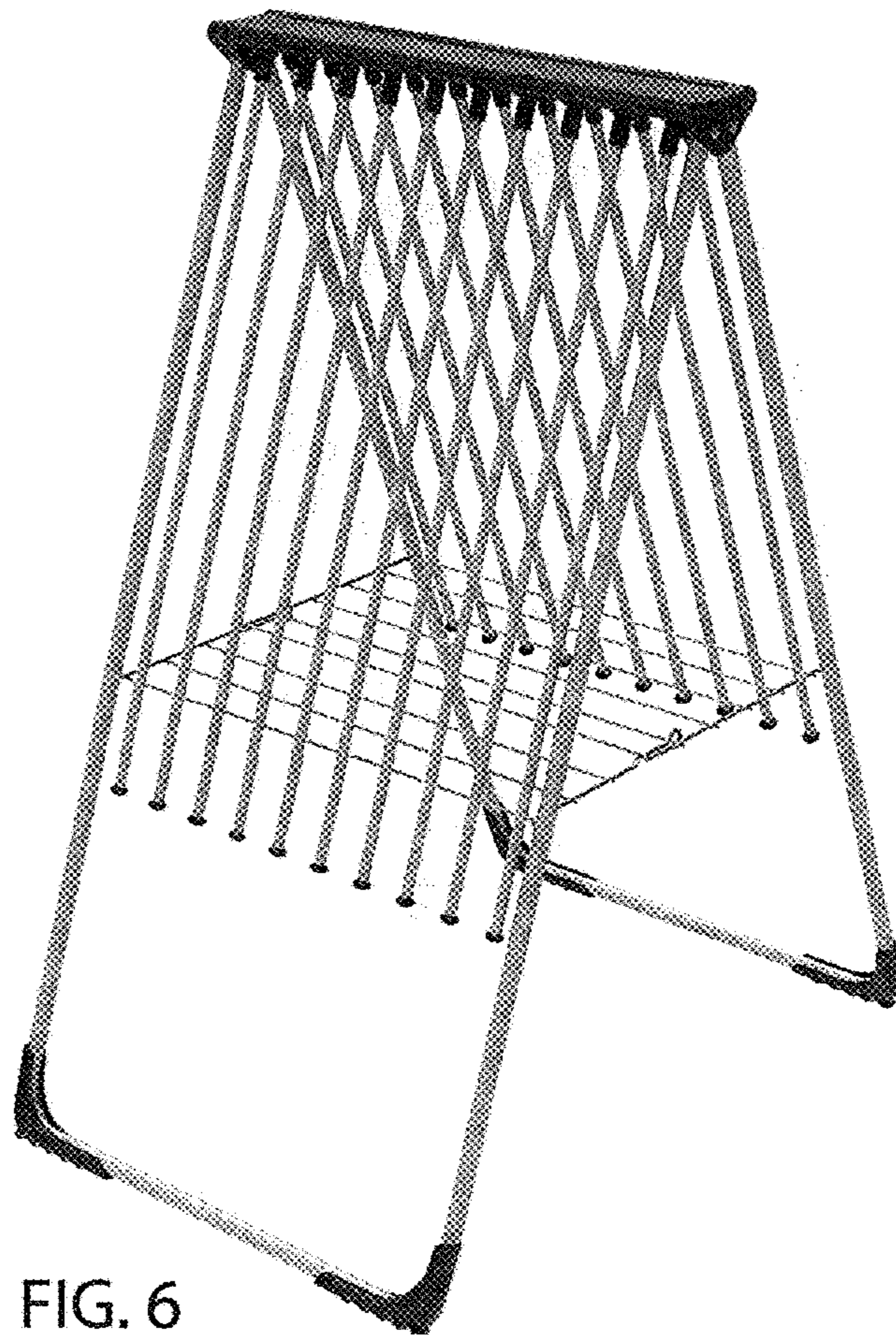


FIG. 6

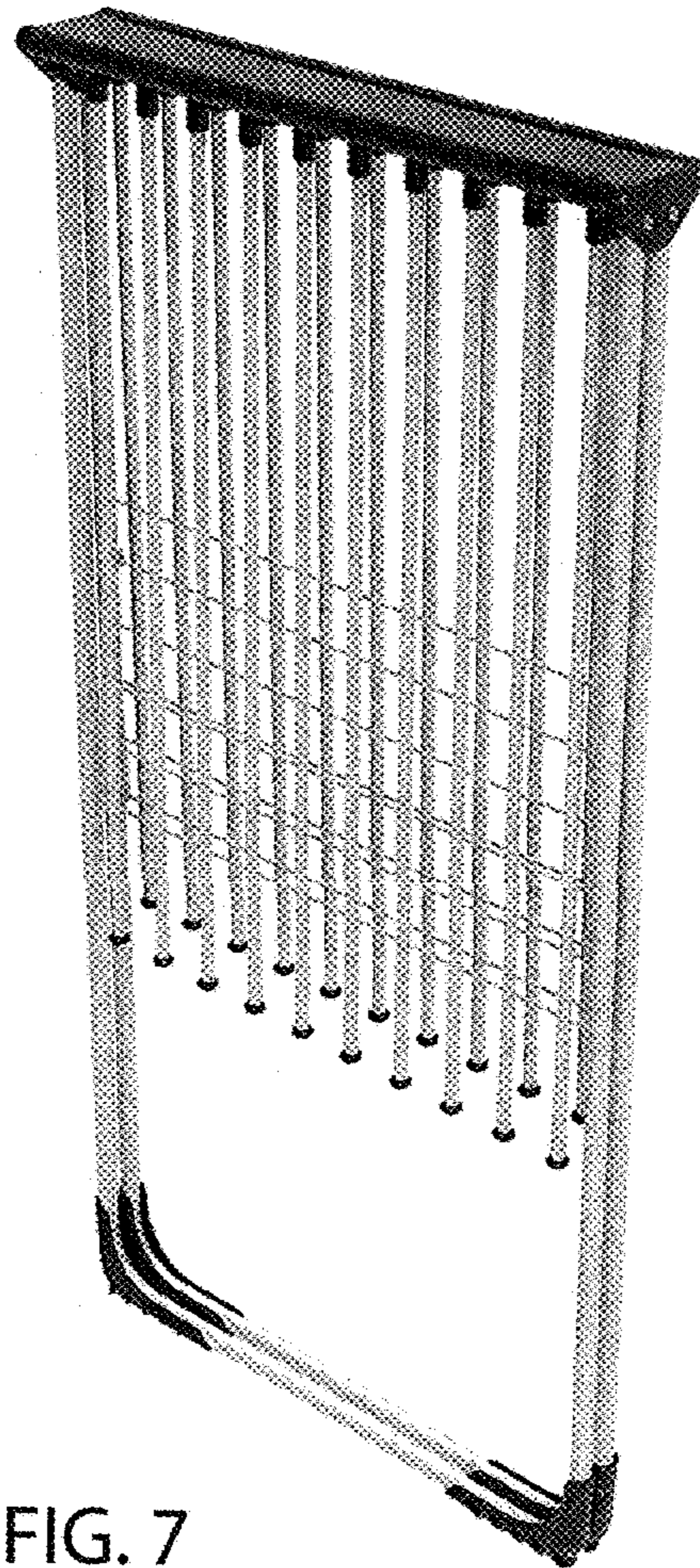


FIG. 7