



US00D844923S

(12) **United States Design Patent**
Wager

(10) **Patent No.:** **US D844,923 S**

(45) **Date of Patent:** **** Apr. 2, 2019**

(54) **PAINT TRAY WITH ROUNDED EDGES**

FOREIGN PATENT DOCUMENTS

(71) Applicant: **PaintBTR, LLC**, St. Petersburg, FL (US)

FR 1082819 1/1955
GB 2460127 11/2009

(72) Inventor: **Martin Wager**, St. Petersburg, FL (US)

Primary Examiner — Robin V Webster

(73) Assignee: **PaintBTR, LLC**, St. Petersburg, FL (US)

(74) *Attorney, Agent, or Firm* — Larson & Larson, P.A.; Frank Liebenow; Justin P. Miller

(**) Term: **15 Years**

(57) **CLAIM**

(21) Appl. No.: **29/632,816**

The ornamental design for a paint tray with rounded edges, as shown and described.

(22) Filed: **Jan. 10, 2018**

DESCRIPTION

Related U.S. Application Data

(63) Continuation-in-part of application No. 29/623,063, filed on Oct. 23, 2017, which is a continuation-in-part of application No. 15/661,783, filed on Jul. 27, 2017, which is a continuation-in-part of application No. 15/197,816, filed on Jun. 30, 2016, now Pat. No. 9,744,802.

FIG. 1 is a perspective view of a paint tray with rounded edges showing my new design; FIG. 2 is a front elevation view thereof; FIG. 3 is a rear elevation view thereof; FIG. 4 is a left side elevation view thereof; FIG. 5 is a right side elevation view thereof; FIG. 6 is a top plan view thereof; FIG. 7 is a bottom plan view thereof; FIG. 8 is a sectional view along lines 8-8 of FIG. 6 thereof; FIG. 9 is a perspective view of a second embodiment of my paint tray with rounded edges; FIG. 10 is a front elevation view thereof; FIG. 11 is a rear elevation view thereof; FIG. 12 is a left side elevation view thereof; FIG. 13 is a right side elevation view thereof; FIG. 14 is a top plan view thereof; FIG. 15 is a bottom plan view thereof; and, FIG. 16 is a sectional view along lines 16-16 of FIG. 14 thereof.

(51) **LOC (11) Cl.** **07-07**

(52) **U.S. Cl.**
USPC **D32/53.1**

(58) **Field of Classification Search**
USPC D32/53, 53.1, 54
CPC B44D 3/12; B44D 3/123; B44D 3/125;
B44D 3/126; B44D 3/128; A47B 17/00;
A47L 13/50; A47J 47/18
See application file for complete search history.

FIGS. 9-16 show views of a second embodiment of my claimed design as depicted in FIGS. 1-8, having the same tray size and shape, the difference consisting of a modified leg structure.

The broken line showing in FIGS. 1, 6, 9 and 14 is included for the purpose of illustrating and forms no part of the claimed design.

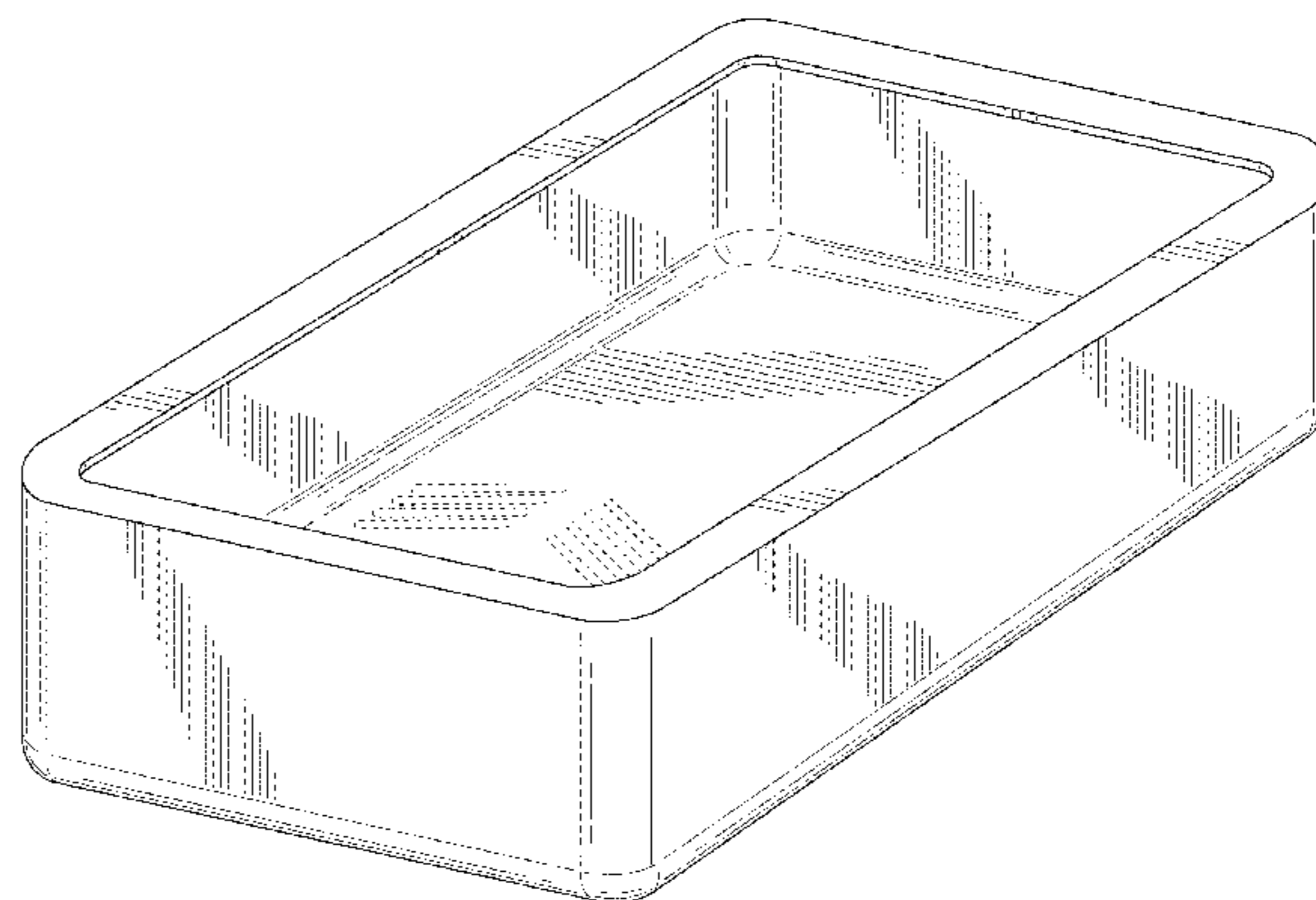
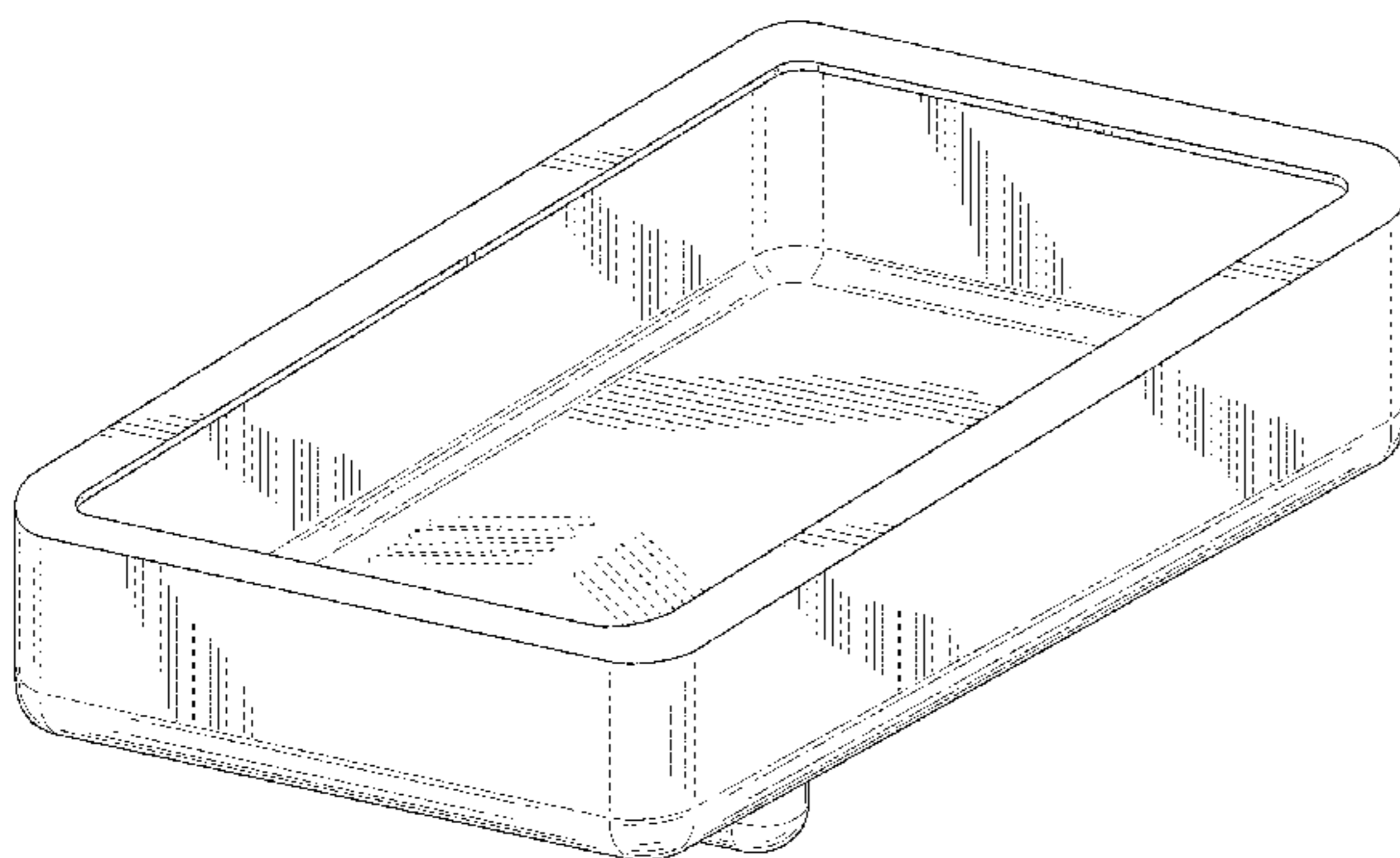
(56) **References Cited**

U.S. PATENT DOCUMENTS

1,111,159 A 9/1914 Knox
1,813,670 A 7/1931 Kessler
1,959,584 A 5/1934 Hurley
2,471,189 A 5/1949 Bartels

(Continued)

1 Claim, 12 Drawing Sheets



(56)

References Cited

U.S. PATENT DOCUMENTS

2,511,111 A 6/1950 Jakubowski
 2,606,694 A 8/1952 Galletta
 2,659,096 A 11/1953 Mencfeldowski, Jr.
 2,659,917 A 11/1953 Drum
 2,705,334 A 4/1955 Farrow
 2,849,158 A 8/1958 Hopla
 2,950,012 A * 8/1960 Mascaretti B44D 3/123
 211/65
 3,221,955 A 12/1965 Banaszak
 3,264,672 A * 8/1966 Campbell B44D 3/126
 15/257.06
 3,463,366 A 8/1969 Spencer
 3,576,045 A 4/1971 Stafford
 3,602,939 A 9/1971 Schoenholz
 D223,864 S * 6/1972 Vines 206/557
 3,732,593 A 5/1973 Habostad
 4,102,468 A * 7/1978 Goldman, IV B44D 3/126
 15/257.06
 4,203,537 A 5/1980 McAlister
 4,225,064 A 9/1980 Westcott
 4,240,568 A 12/1980 Pool
 D264,897 S * 6/1982 Smith D32/53.1
 4,907,714 A 3/1990 Gatz
 5,103,999 A * 4/1992 Elliott B44D 3/126
 220/570
 5,195,662 A 3/1993 Neff
 D380,678 S 7/1997 Borgstede
 D456,259 S 4/2002 Groenewald
 6,736,969 B2 5/2004 Milne

D586,515 S * 2/2009 Arvinte D32/53.1
 D586,518 S * 2/2009 Moon D32/53.1
 D604,920 S * 11/2009 Bergman D32/53.1
 D613,016 S * 3/2010 Bergman D32/54
 7,874,448 B1 * 1/2011 Doherty B44D 3/126
 15/257.06
 7,992,250 B2 8/2011 Prokop
 D647,269 S * 10/2011 Searcy B44D 3/126
 D32/53.1
 D668,412 S * 10/2012 Bergman B44D 3/126
 D32/53.1
 8,281,952 B2 10/2012 Robellard
 D684,329 S * 6/2013 Church B44D 3/126
 D32/53.1
 9,145,026 B2 9/2015 Sorenson
 9,168,781 B1 10/2015 Cooper
 9,174,484 B2 * 11/2015 Enguita B44D 3/126
 9,475,613 B2 10/2016 Kent
 9,522,568 B2 12/2016 Abernethy, Jr.
 D817,576 S * 5/2018 Henderson B44D 3/126
 D32/53.1
 2002/0096525 A1 7/2002 Bertoldo
 2003/0012887 A1 1/2003 Orlikowski
 2006/0005343 A1 1/2006 Clingerman
 2006/0175362 A1 8/2006 Gringer
 2010/0089931 A1 4/2010 Sheehy
 2010/0230413 A1 9/2010 Crudgington, Jr.
 2013/0068639 A1 3/2013 Plouffe
 2015/0209822 A1 7/2015 Enguita
 2015/0232233 A1 8/2015 Kent
 2015/0266337 A1 9/2015 Abernethy, Jr.

* cited by examiner

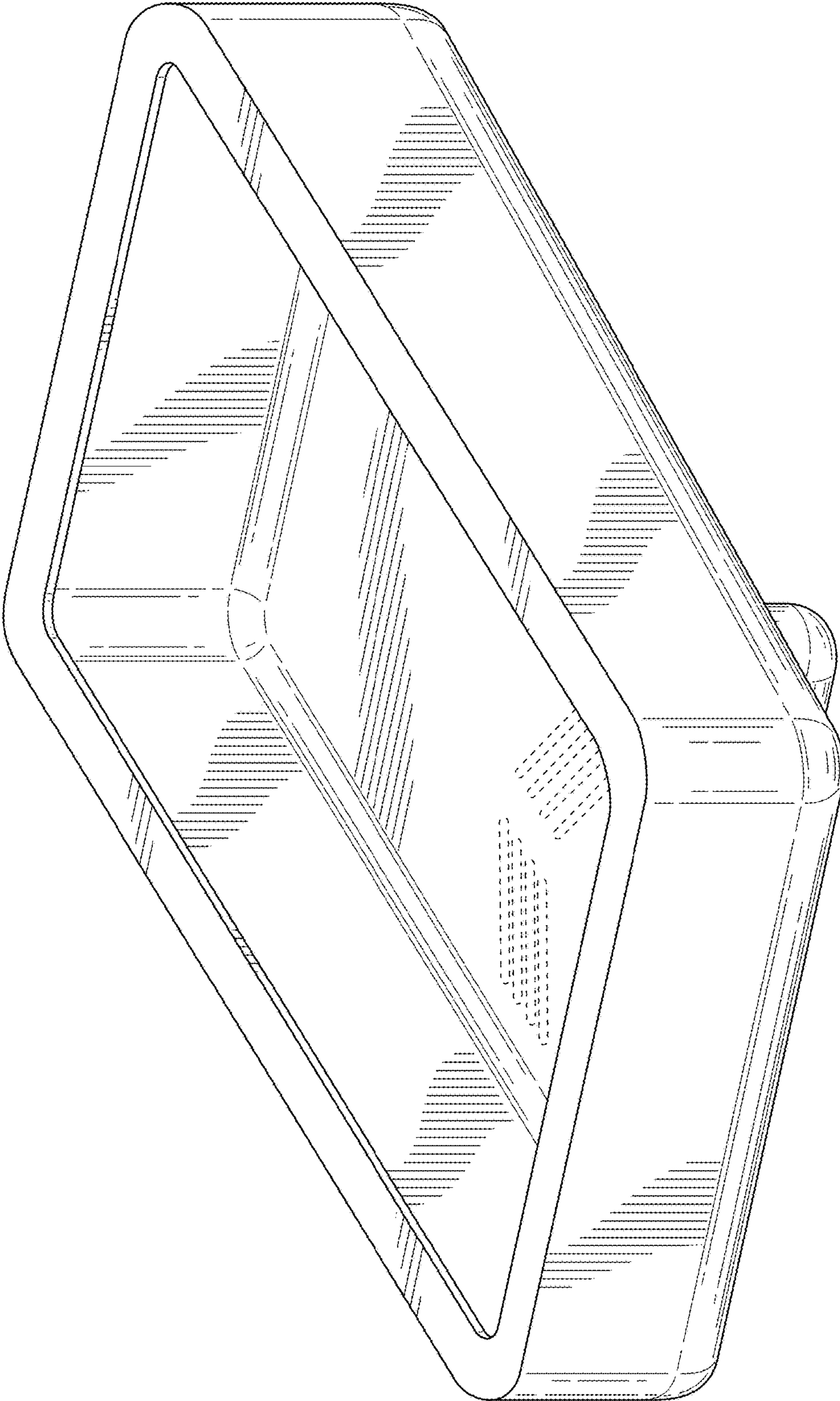


FIG. 1

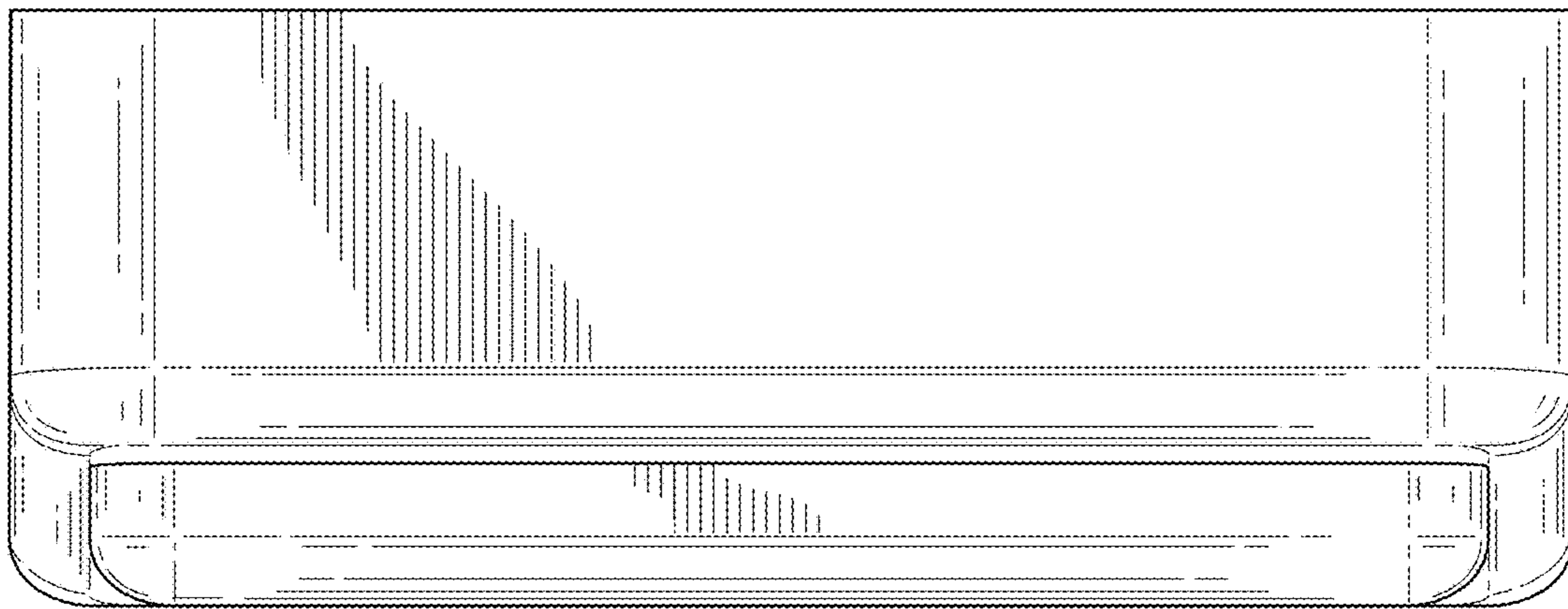


FIG. 2

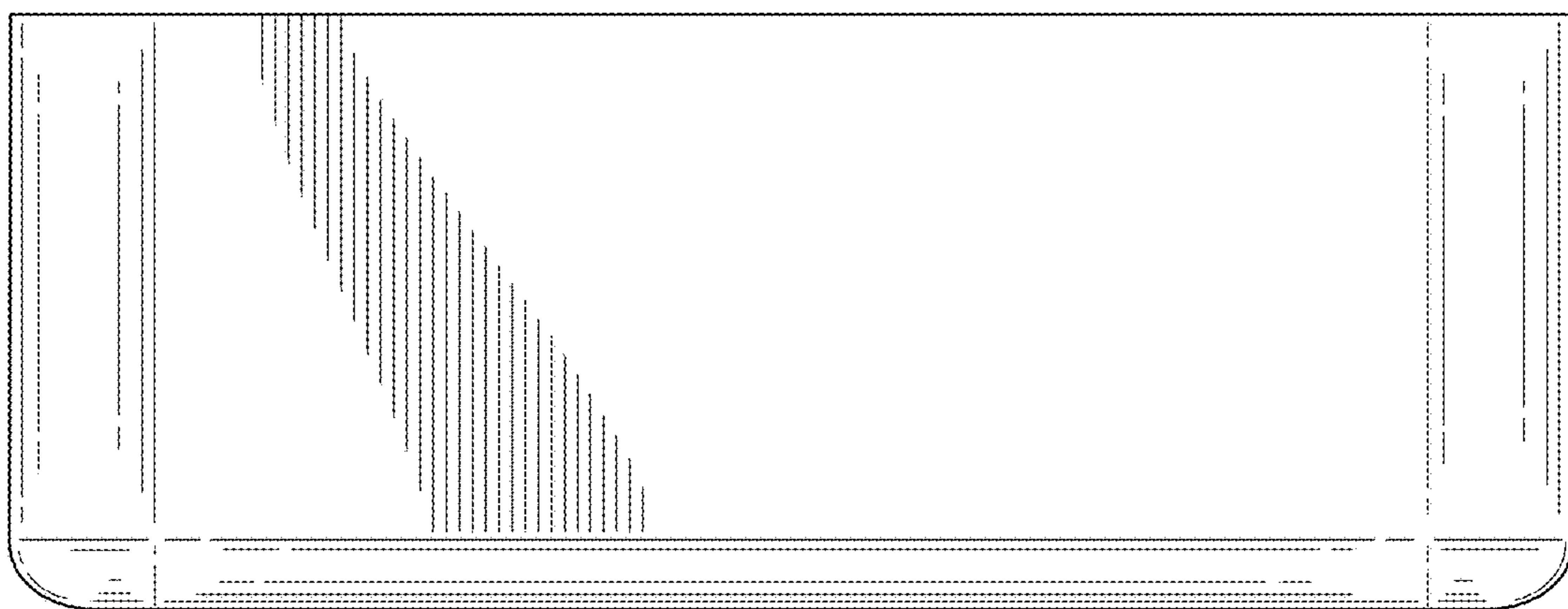


FIG. 3

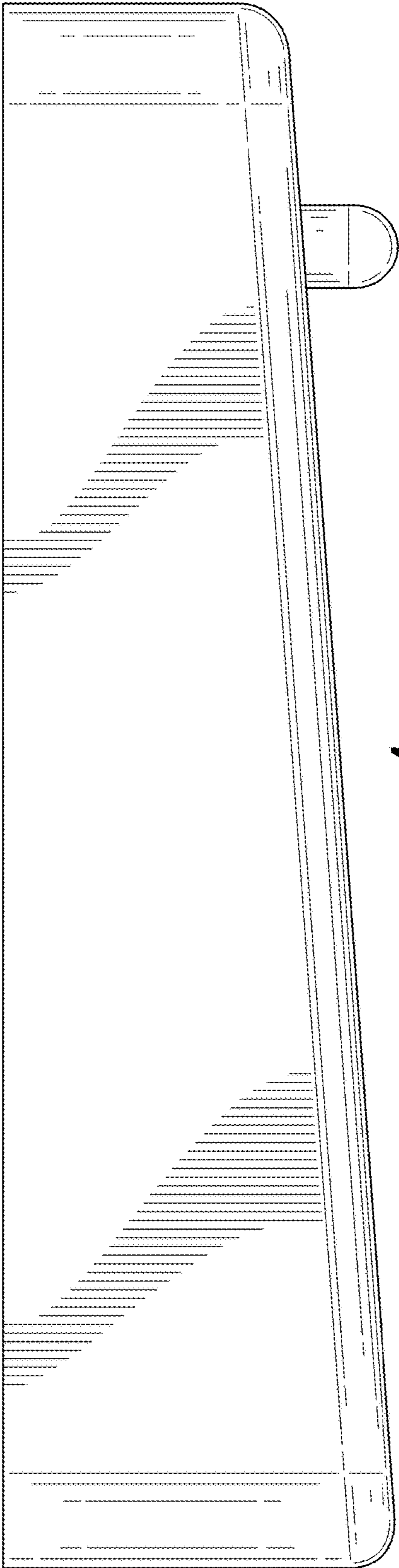


FIG. 4

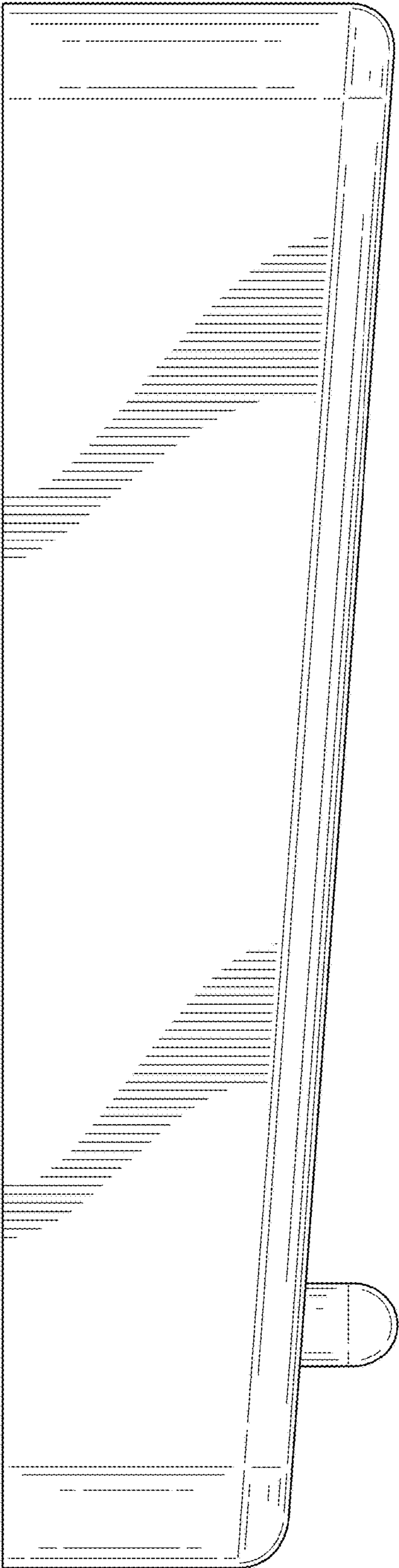


FIG. 5

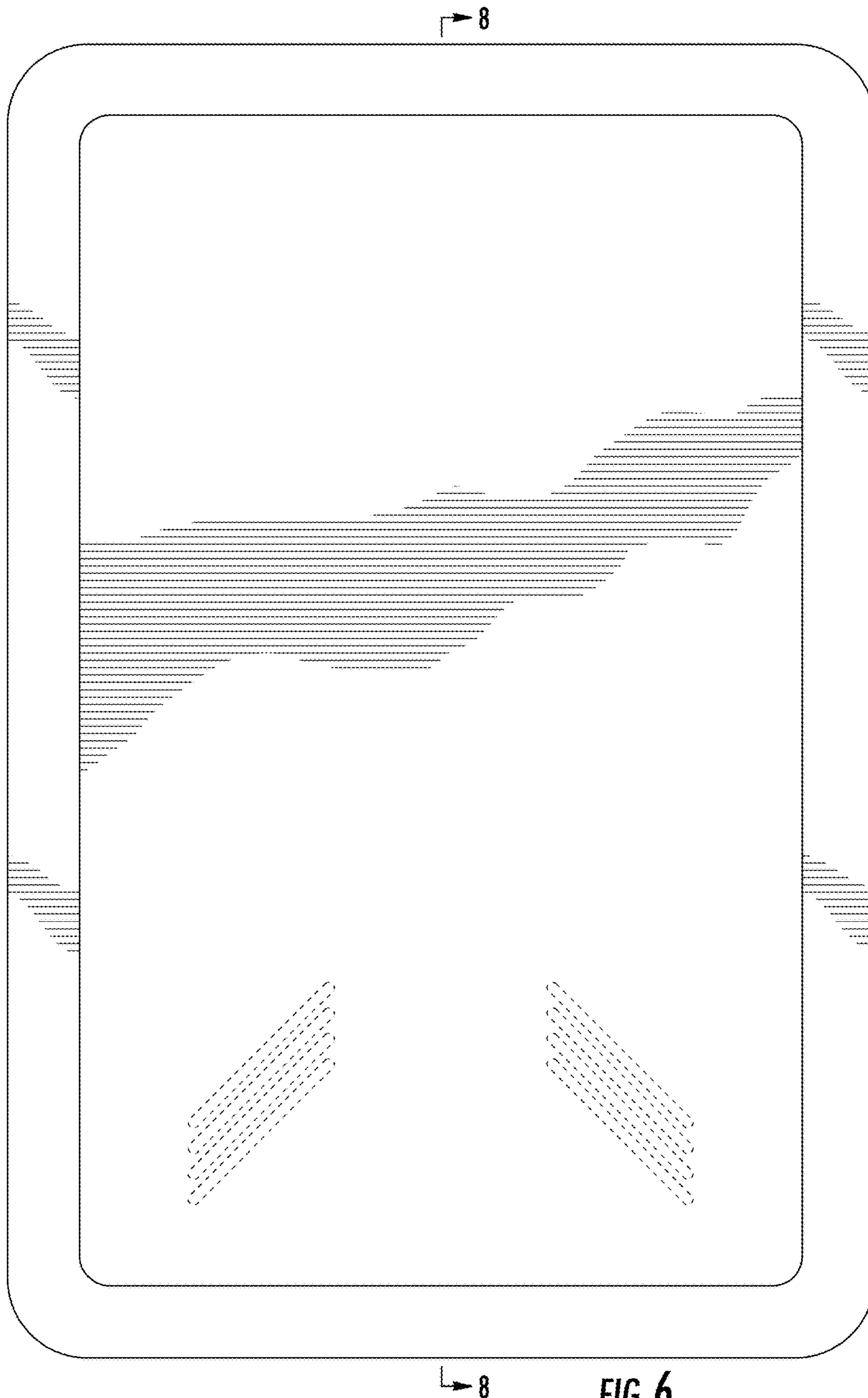


FIG. 6

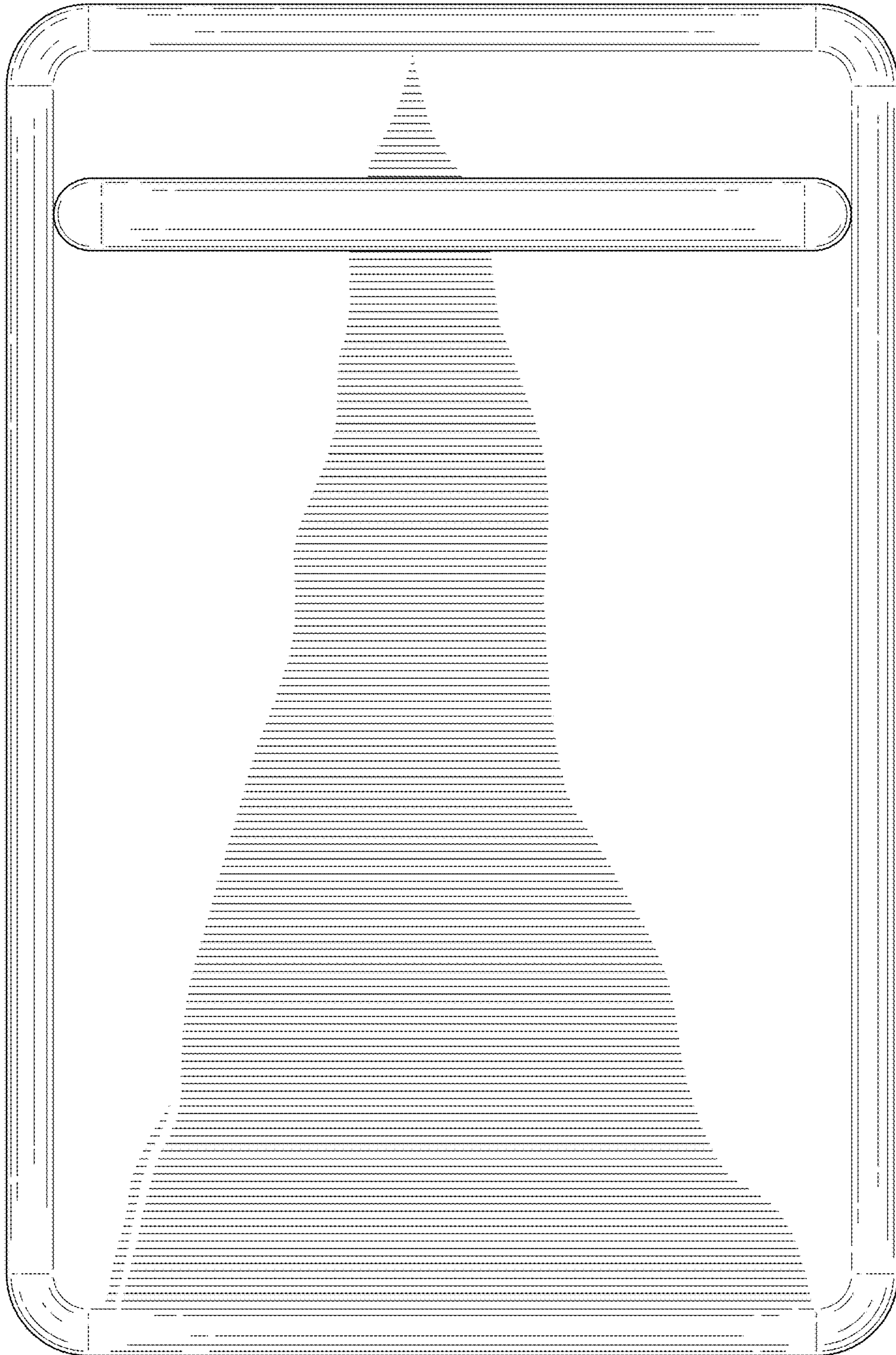


FIG. 7

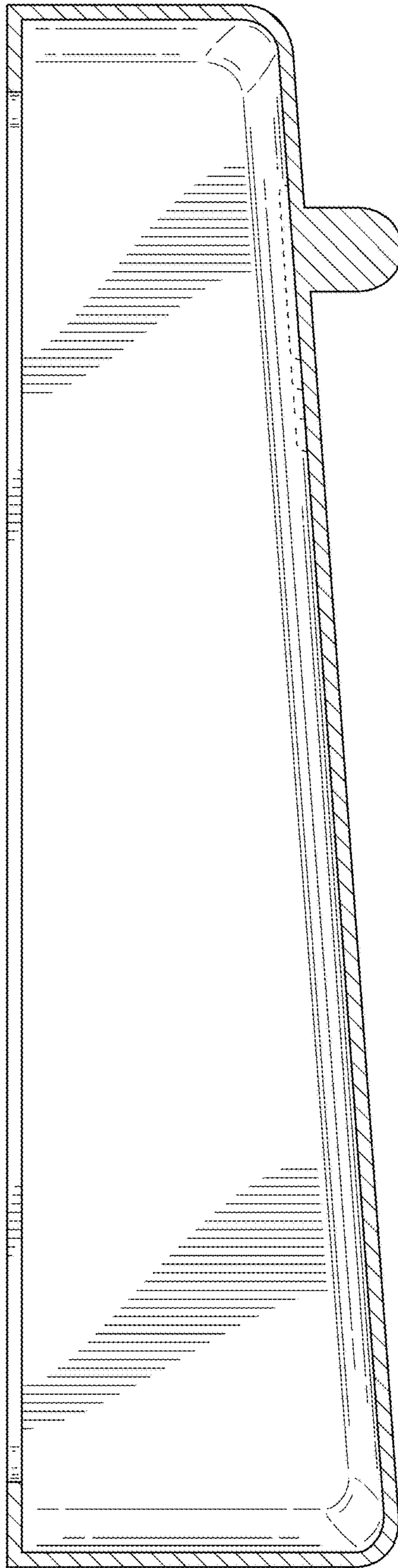


FIG. 8

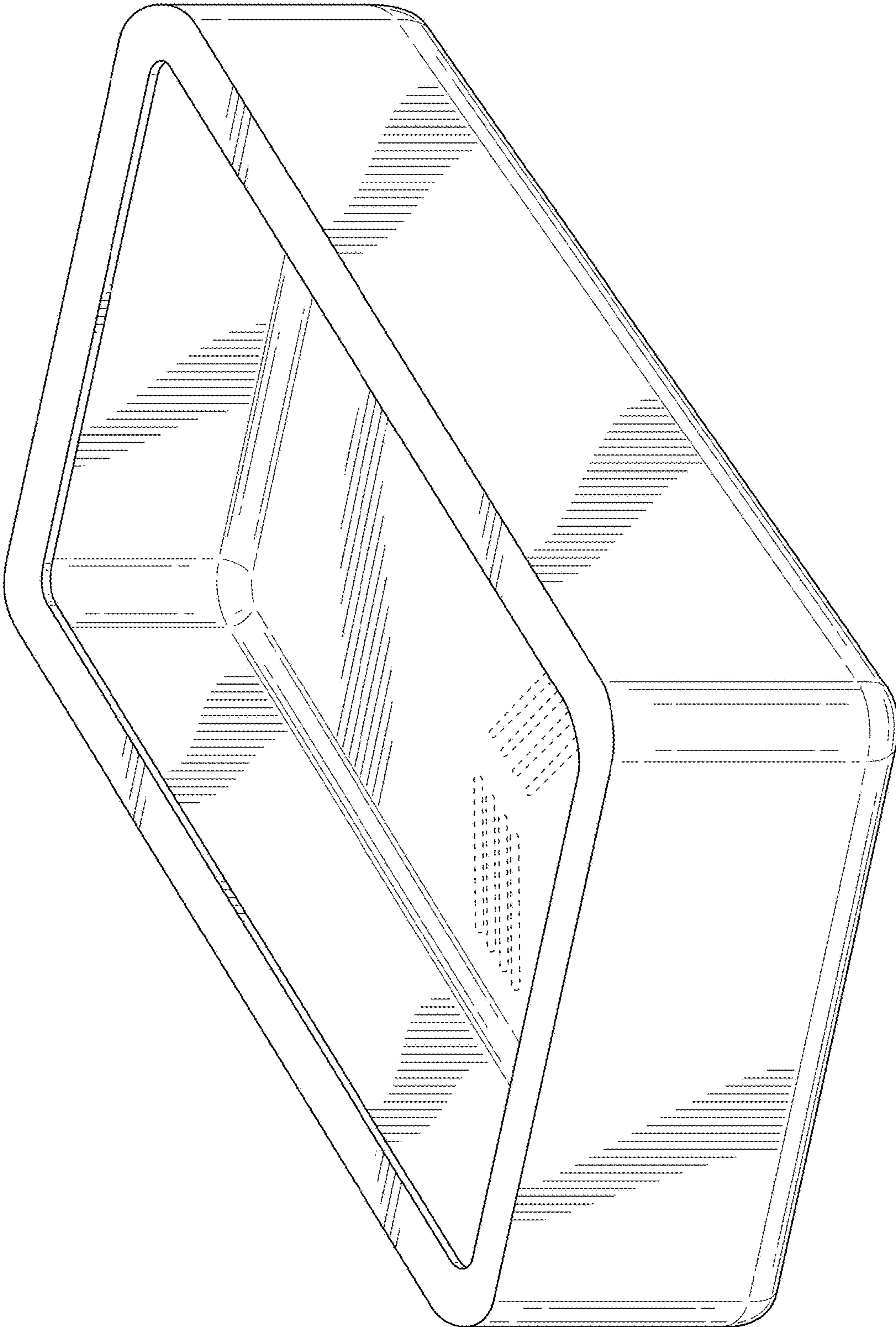


FIG. 9

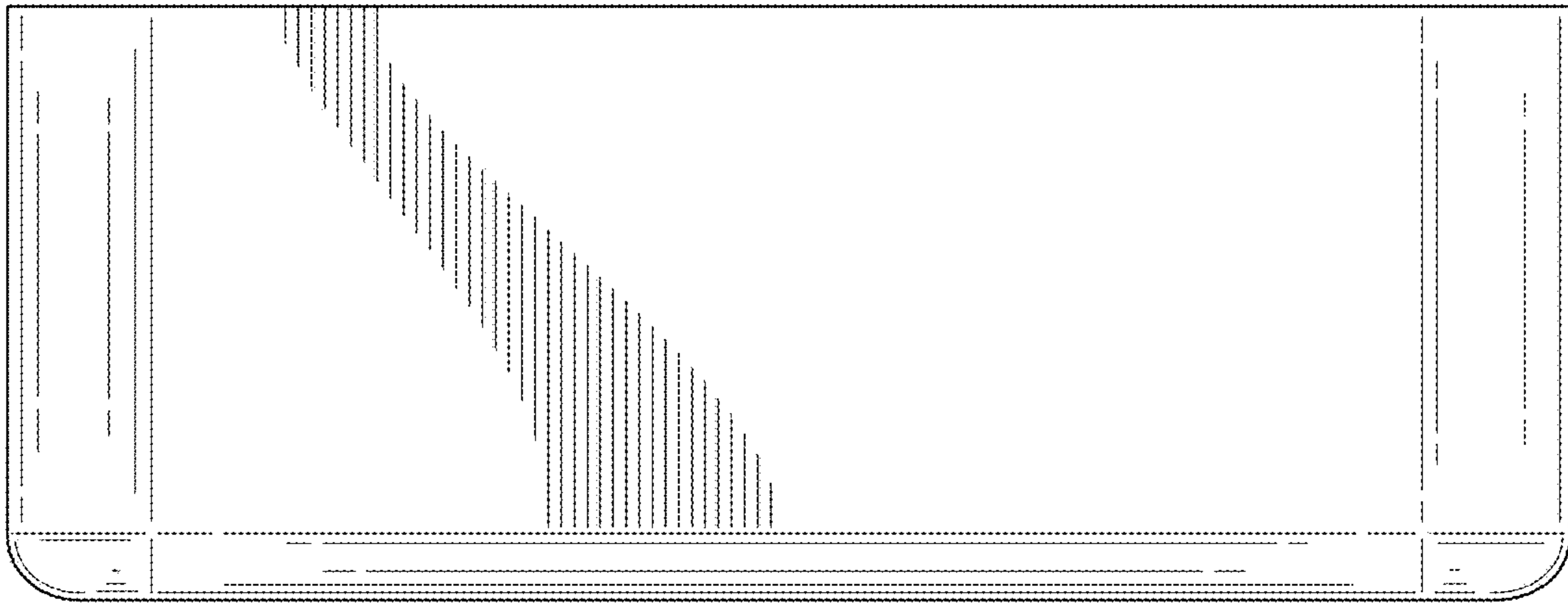


FIG. 10

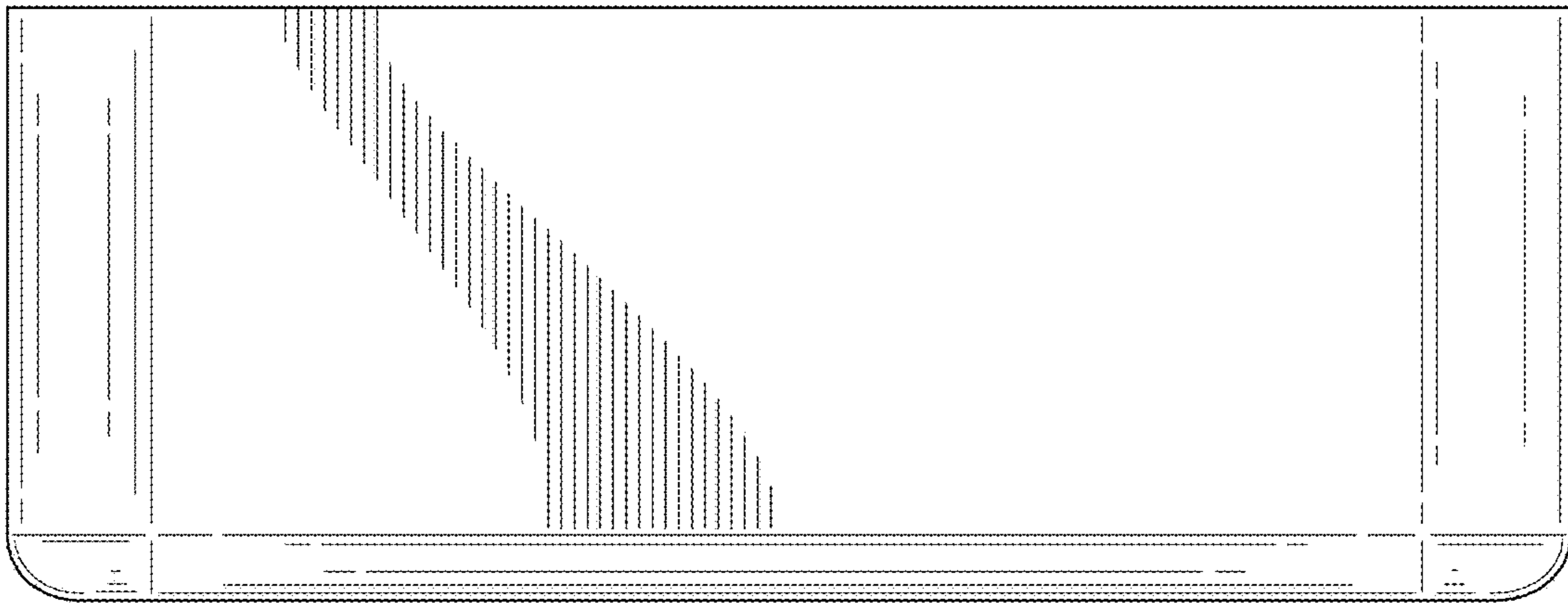


FIG. 11

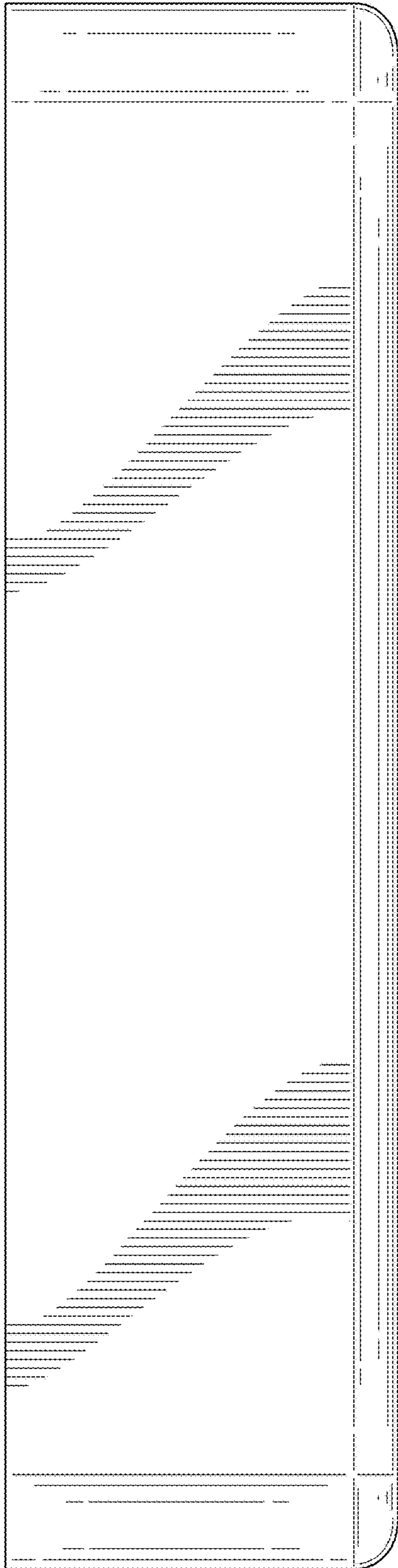


FIG. 12

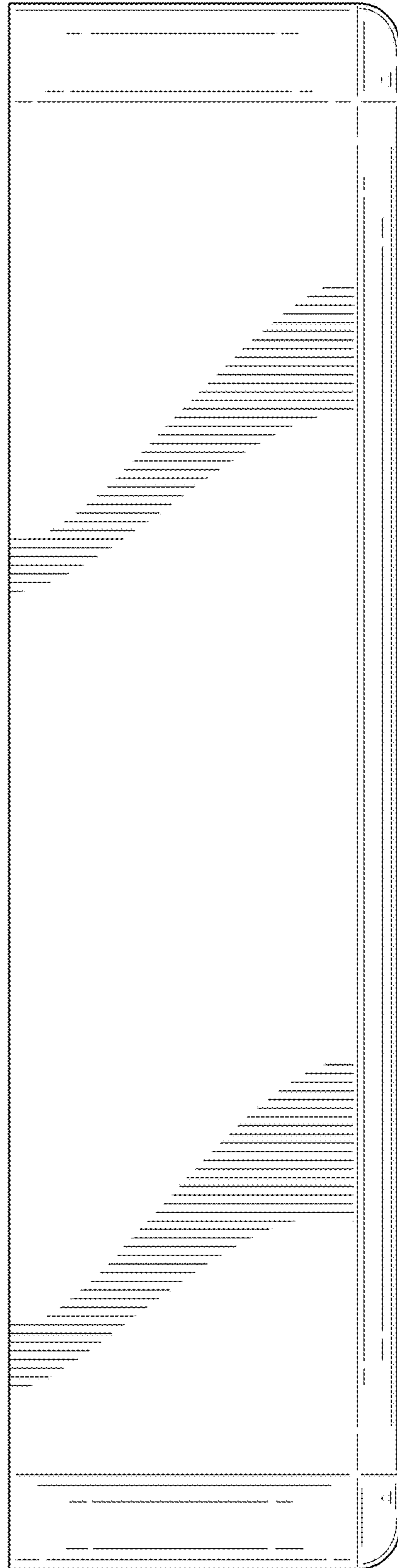
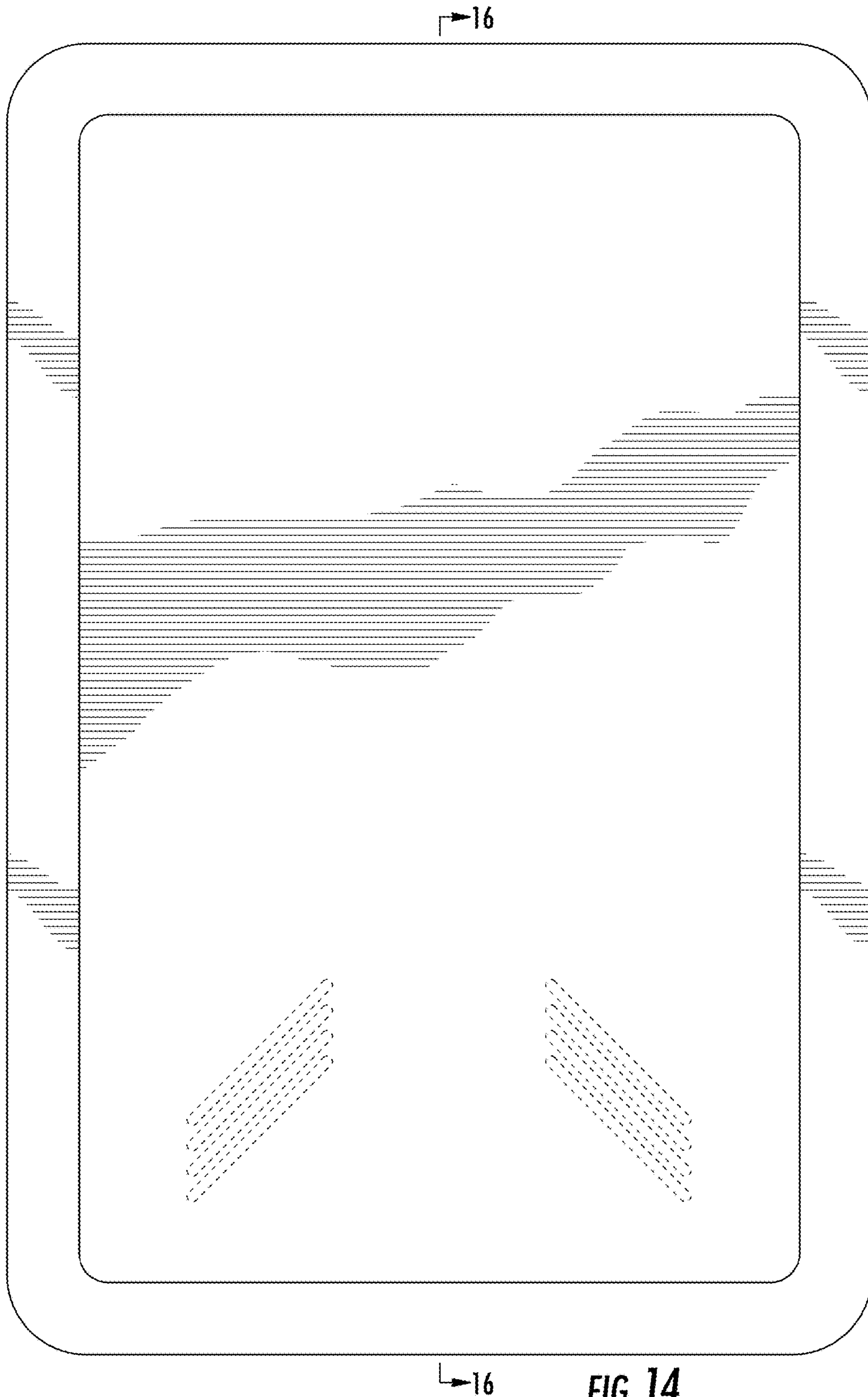


FIG. 13



16

FIG. 14

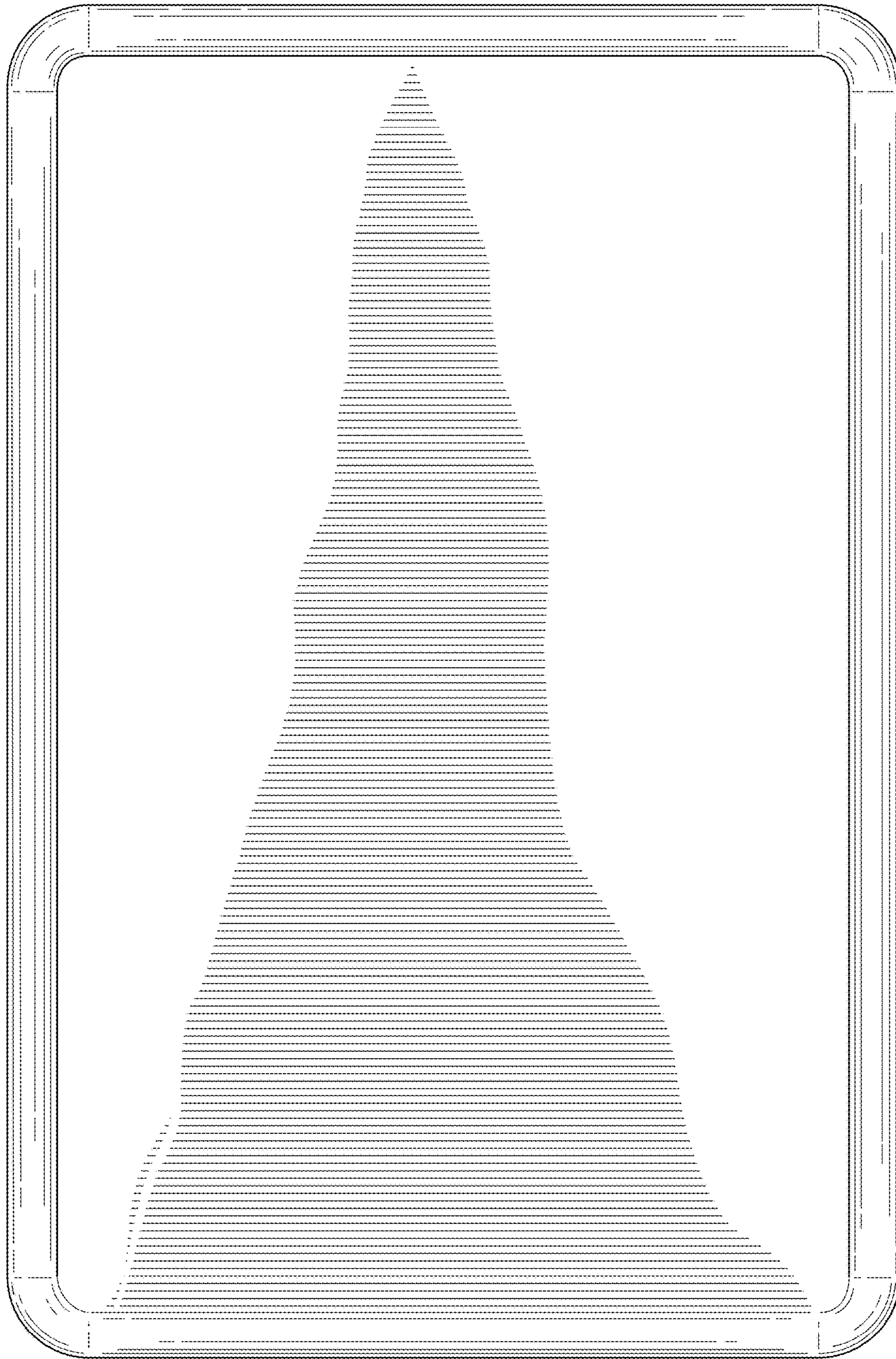


FIG. 15

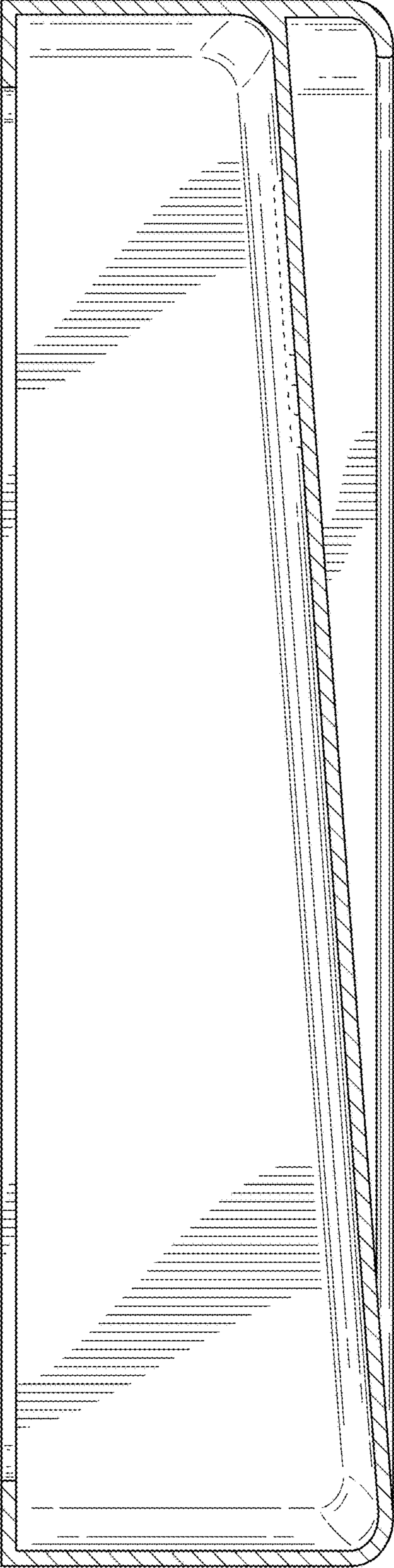


FIG. 16