



US00D844919S

(12) **United States Design Patent** (10) **Patent No.:** **US D844,919 S**
Renner et al. (45) **Date of Patent:** **** Apr. 2, 2019**

(54) **CLEANING TOOL**

(71) Applicant: **3M INNOVATIVE PROPERTIES COMPANY**, St. Paul, MN (US)

(72) Inventors: **Megan E. Renner**, St. Paul, MN (US); **Matthew D. Chaffee**, Minneapolis, MN (US); **Mark W. Baldwin**, Woodbury, MN (US); **Lloyd S. Vasilakes**, Stillwater, MN (US); **Heidi A. Sandell**, St. Paul, MN (US); **Michael C. Mooney**, Coon Rapids, MN (US)

(73) Assignee: **3M INNOVATIVE PROPERTIES COMPANY**, St. Paul, MN (US)

(**) Term: **15 Years**

(21) Appl. No.: **29/621,484**

(22) Filed: **Oct. 9, 2017**

(51) **LOC (11) Cl.** **07-05**

(52) **U.S. Cl.**
USPC **D32/45**

(58) **Field of Classification Search**
USPC D9/456-457, 499; D14/485, 488-489, D14/491.493; D32/40-45, 50-52; D4/130-135, 199
CPC A47L 13/24; A47L 13/12; A46B 5/02
See application file for complete search history.

(56) **References Cited**

U.S. PATENT DOCUMENTS

D252,250 S * 7/1979 Hobbs D32/45
D358,491 S * 5/1995 Hoagland D32/42
6,041,466 A * 3/2000 Payton, Jr. A47L 13/022
15/105
6,052,856 A * 4/2000 DeMoya A47L 13/12
15/227
D434,525 S * 11/2000 Angeletta D28/7
6,216,306 B1 * 4/2001 Esterson A46B 5/02
15/111
D496,766 S * 9/2004 Colburn D32/40

D497,258 S * 10/2004 Puckett D4/118
D501,725 S * 2/2005 Hay D4/118
D502,301 S * 2/2005 Hay D32/52
D511,626 S * 11/2005 Hay D32/45
D554,314 S * 10/2007 Kubes D32/45

(Continued)

FOREIGN PATENT DOCUMENTS

JP D1161082 12/2002

OTHER PUBLICATIONS

Amazon.com: 3M Scotch-Brite Heavy Duty Dishwand Soap Dispenser Scrub Sponge Plus, reviews 2017, <https://www.amazon.com/...one=&hvptwo=&hvqmt=&hvdev=c&hvdvcmdl=&hvlocint=&hvlocphy=9008192&hvtargid=aud-467077737785:pla-379950390844&pssc=1#customerReviews>, site visited Sep. 23, 2018.*

(Continued)

Primary Examiner — John Windmuller

Assistant Examiner — John R Yeh

(74) *Attorney, Agent, or Firm* — Irina Hass

(57) **CLAIM**

The ornamental design for a cleaning tool, as shown and described.

DESCRIPTION

FIG. 1 is a perspective view showing the new design for a cleaning tool;

FIG. 2 is a front view thereof;

FIG. 3 is a rear view thereof;

FIG. 4 is a left side view thereof;

FIG. 5 is a right side view thereof;

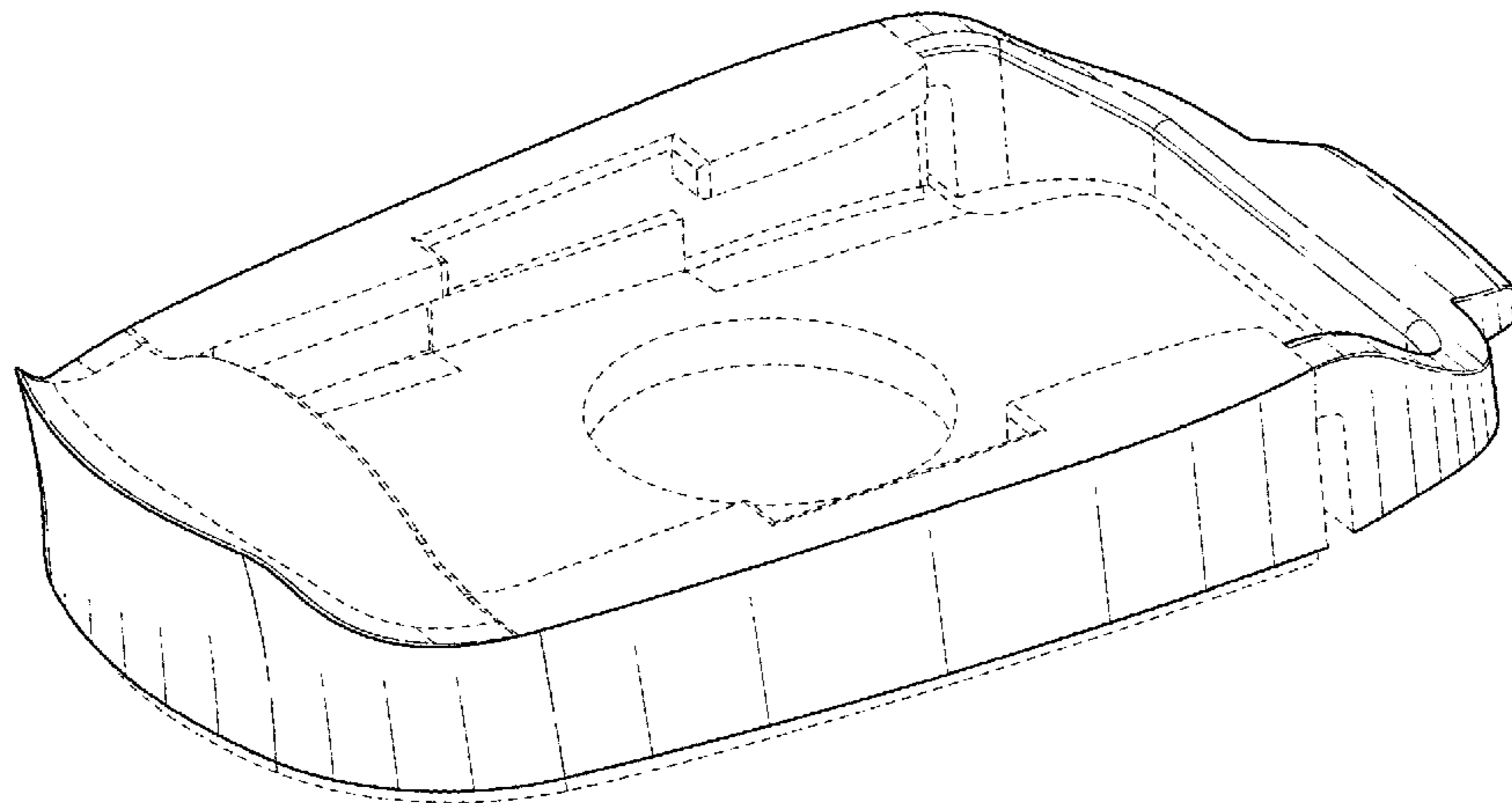
FIG. 6 is a top view thereof;

FIG. 7 is a bottom view thereof; and,

FIG. 8 is a perspective view thereof shown in the environment of a complete cleaning tool.

The broken lines represent features of the cleaning tool that form no part of the claimed design.

1 Claim, 5 Drawing Sheets



(56)

References Cited

U.S. PATENT DOCUMENTS

D575,523	S *	8/2008	Libman	D4/132
8,042,216	B2 *	10/2011	Jochim	A46B 5/02 119/615
D660,006	S *	5/2012	Li	D32/51
D685,548	S *	7/2013	Wong	D32/40
D685,549	S *	7/2013	Wong	D32/40
D690,481	S *	9/2013	Roehm	D32/40
D709,260	S *	7/2014	Molinet	D32/40
D719,357	S *	12/2014	Li	D32/45
9,408,521	B2	8/2016	Molinet		
D770,116	S *	10/2016	Neumann	D32/45
D770,117	S *	10/2016	Neumann	D32/45
D795,517	S *	8/2017	Meier	D32/40
D815,439	S *	4/2018	Libman	D4/114

OTHER PUBLICATIONS

Scotch-Brite (12pc) Extreme Scrub, Set of 3 Handled Dishwands, Amazon reviews 2017, <https://www.amazon.ca/Scotch-Brite-Extreme-Handled-Dishwands-Refills/dp/B075782MMZ#customerReviews>, site visited Sep. 23, 2018.*

Buy Washing Up Brush plus Sponge, Caraselle website reviews 2018, site visited Sep. 23, 2018, https://www.caraselledirect.com/_/dishmatic_washing_up_brush_with_sponge_caraselle-colour_handle_may_vary.1801-1.*

Fishpond website 2018, Dishmatic Washing Sponge, site visited Sep. 23, 2018, <https://www.fishpond.com/Homeware/Dishmatic-Washing-Up-Brush-plus-Heavy-Duty-Sponge/>.*

* cited by examiner

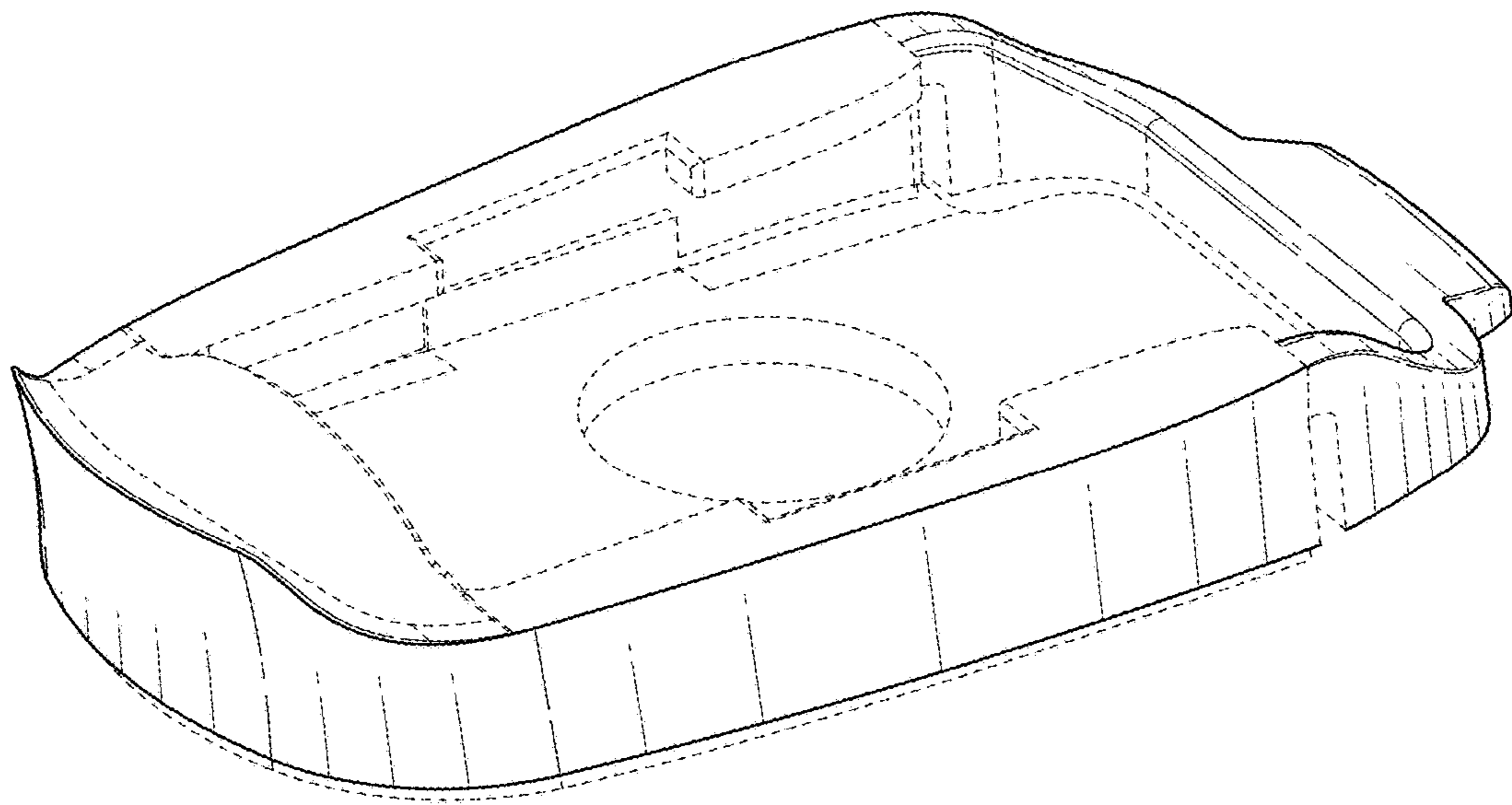


FIG. 1

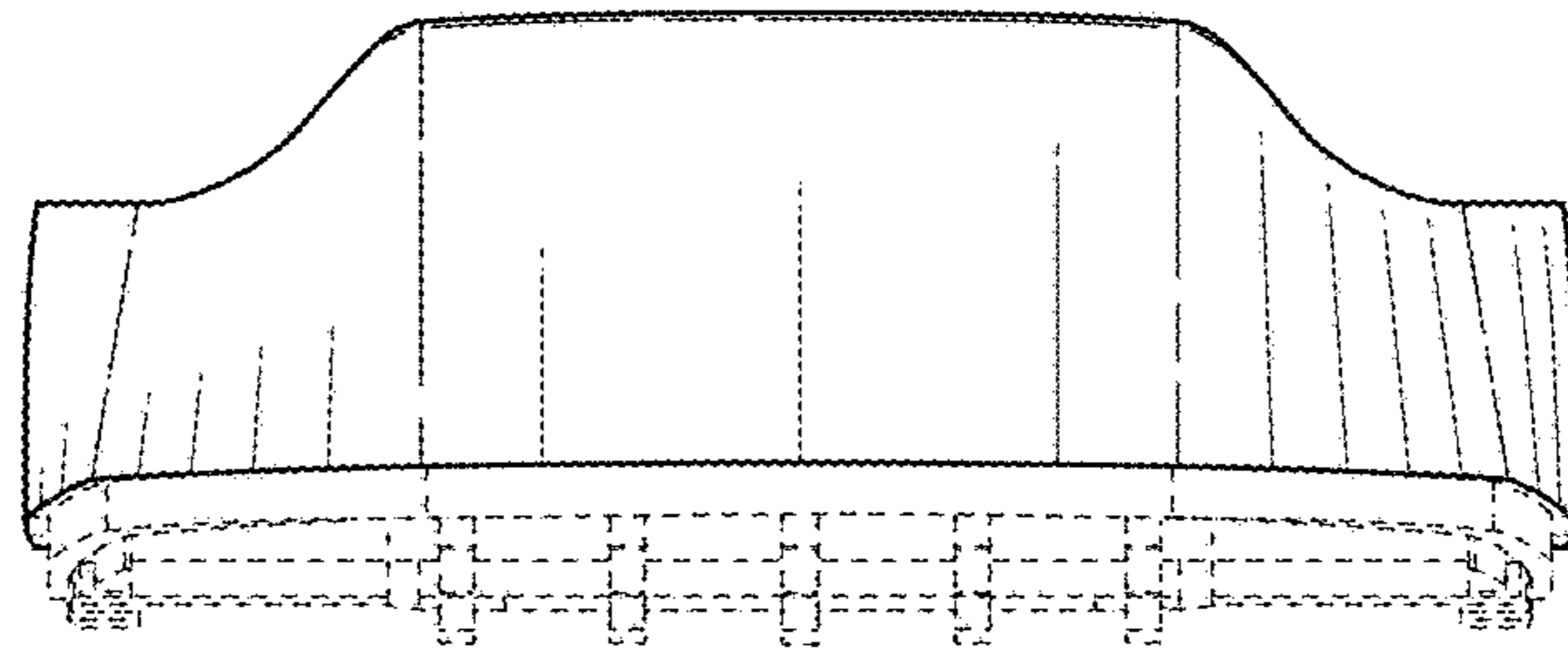


FIG. 2

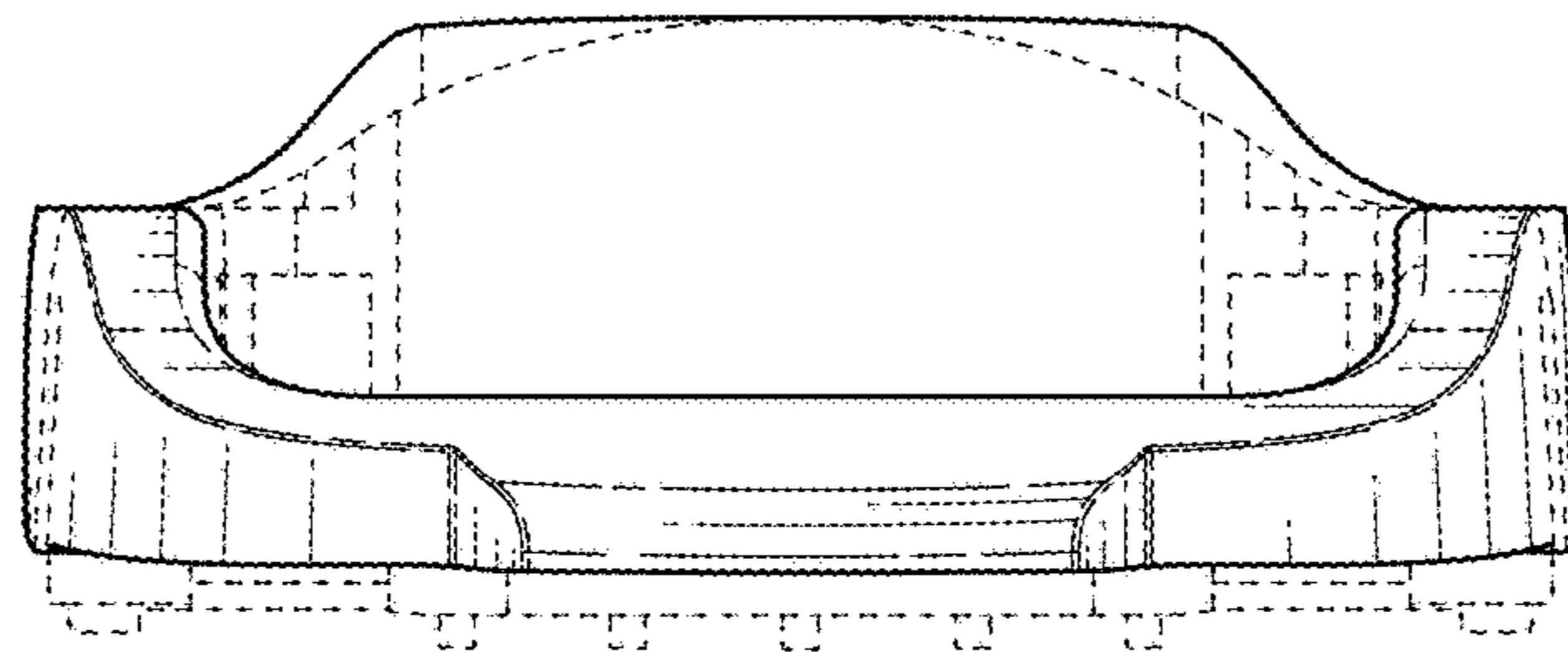


FIG. 3

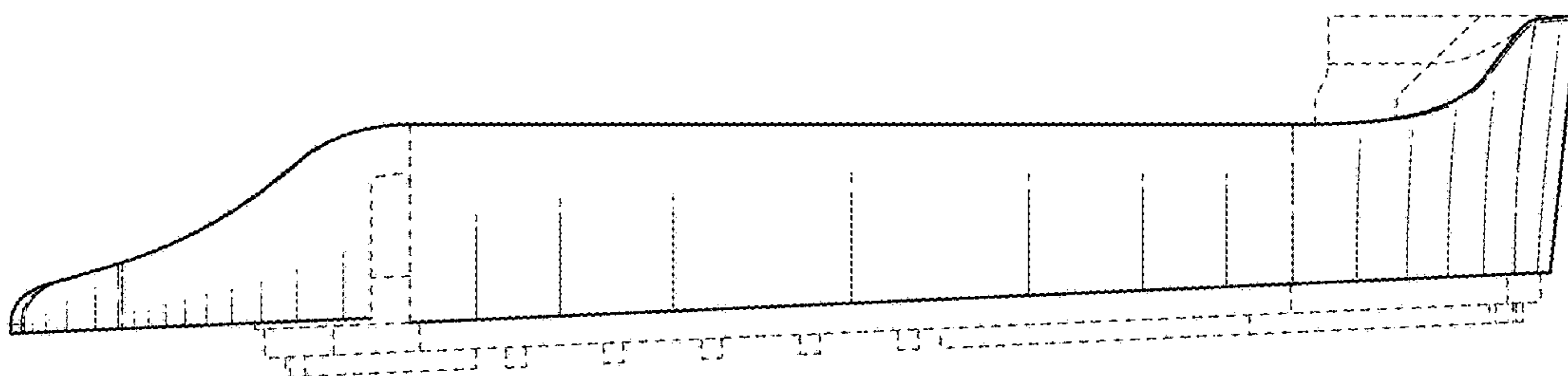


FIG. 4

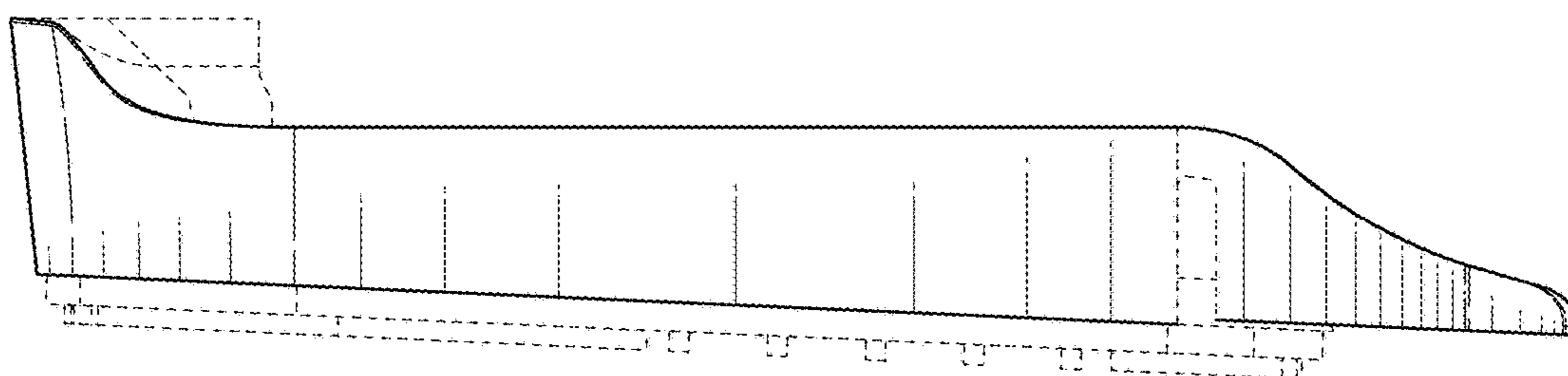


FIG. 5

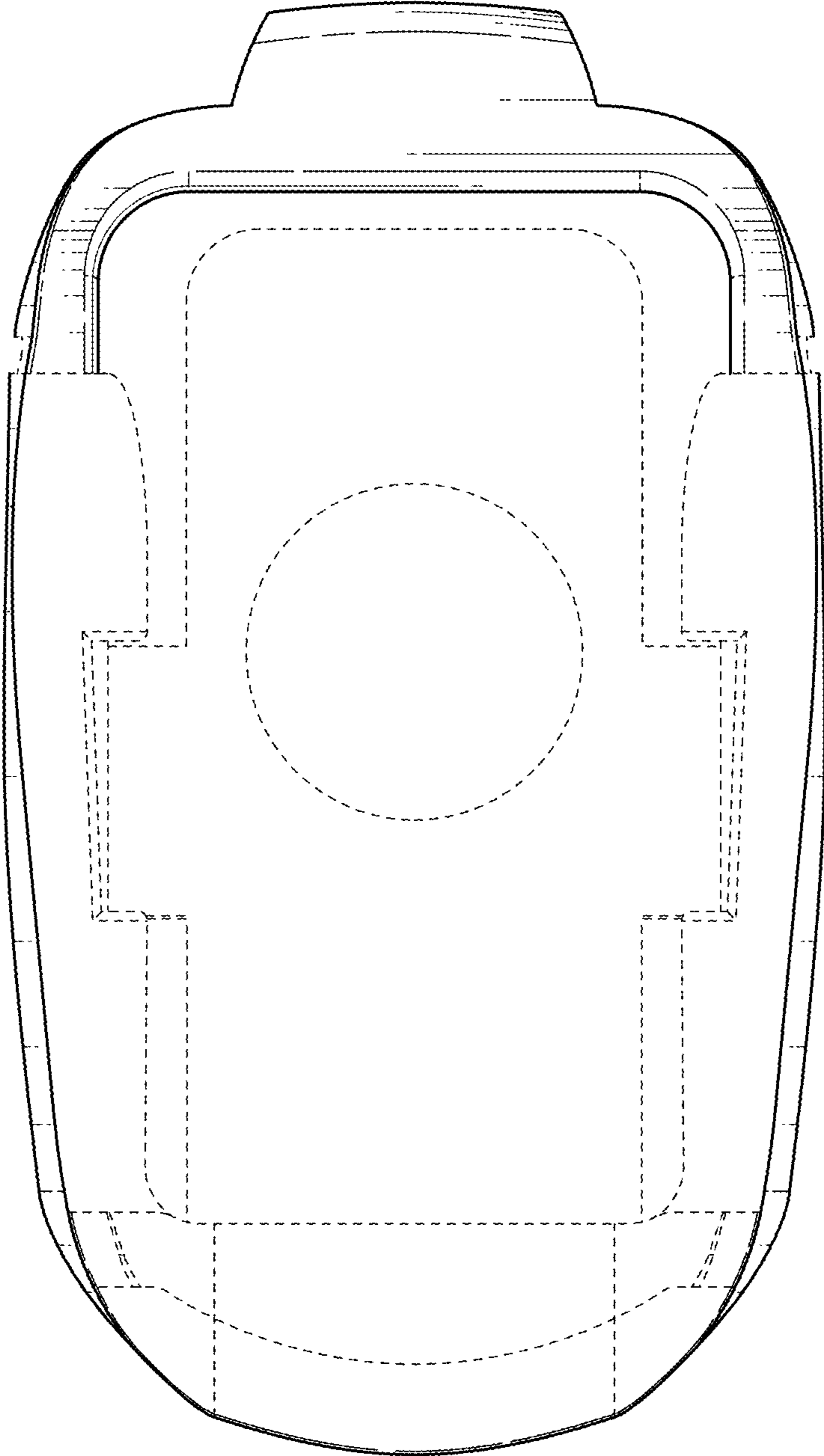


FIG. 6

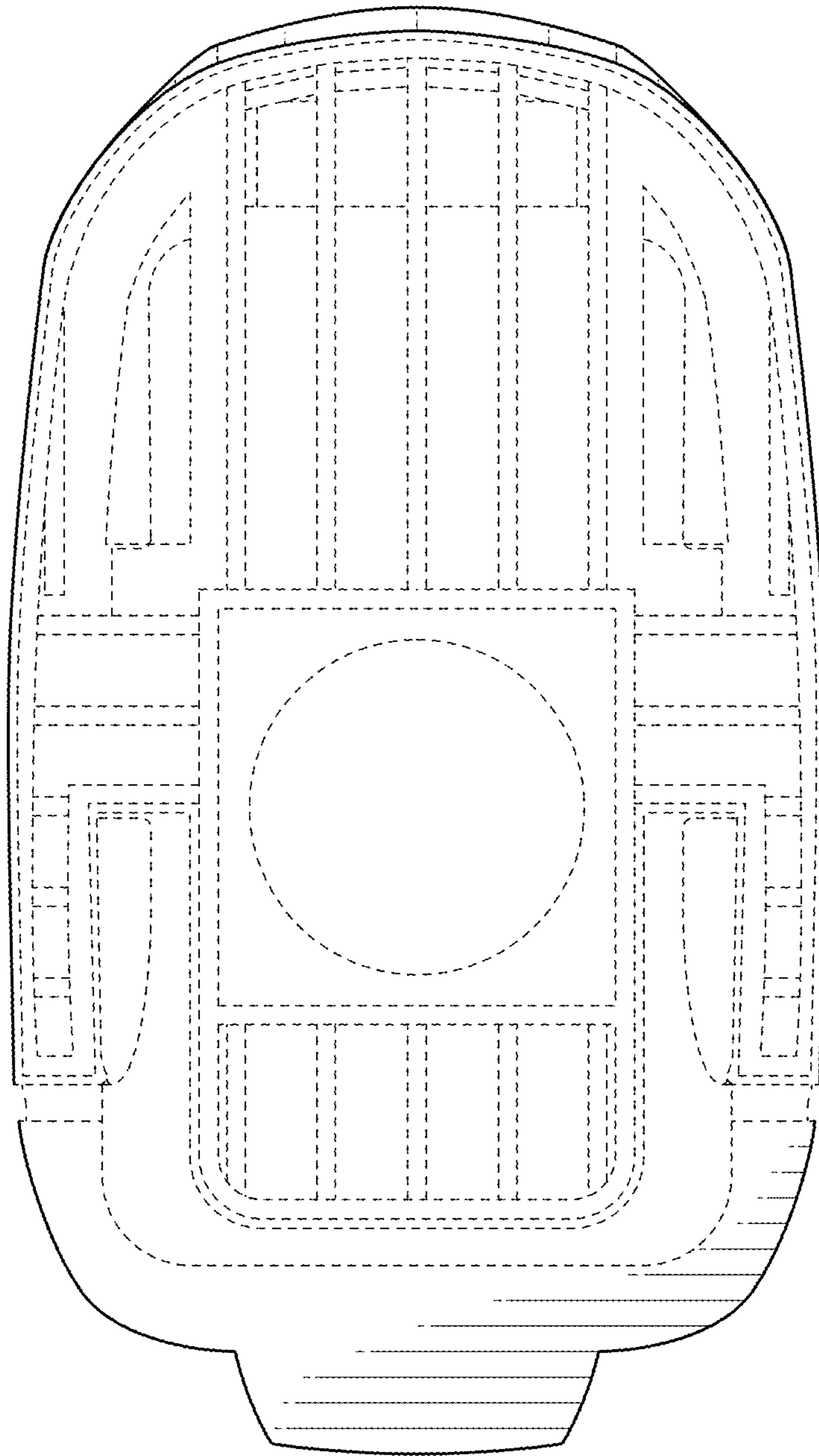


FIG. 7

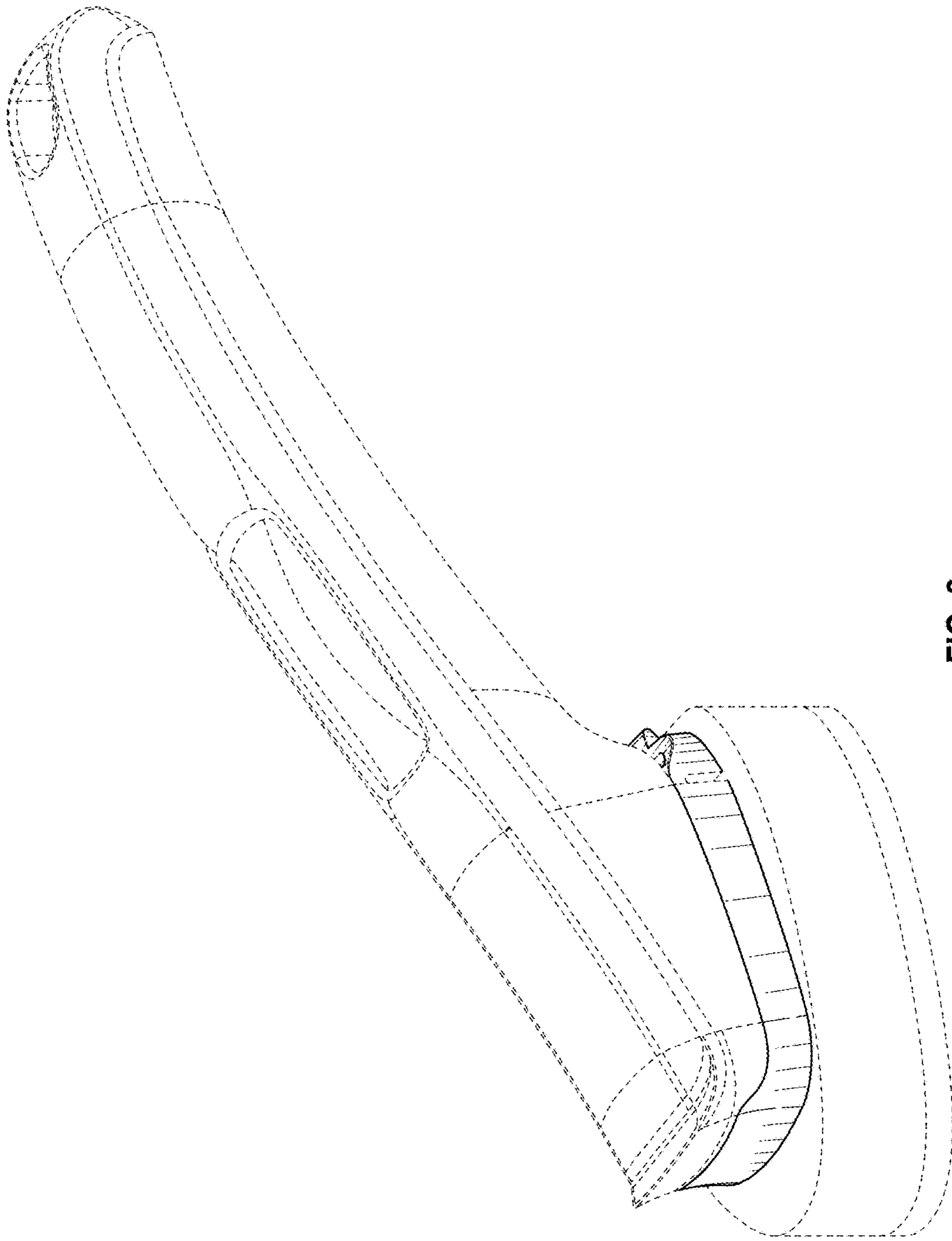


FIG. 8