



US00D844916S

(12) **United States Design Patent** (10) **Patent No.:** **US D844,916 S**  
**Gammack et al.** (45) **Date of Patent:** **\*\* Apr. 2, 2019**

(54) **VACUUM CLEANER**  
(71) Applicant: **Dyson Technology Limited**, Wiltshire (GB)  
(72) Inventors: **Peter David Gammack**, Gloucester (GB); **Stephen Robert Dimbylow**, Swindon (GB); **Robert Hinchliffe**, Bristol (GB); **Jeremy William Crouch**, Swindon (GB); **Alexander Patrick Webster**, Bristol (GB); **Charles Franklin Gale**, Bristol (GB)

D731,130 S \* 6/2015 Dyson ..... D32/18  
D731,133 S \* 6/2015 Dyson ..... D32/31  
D731,724 S \* 6/2015 Cheon ..... D32/22  
D738,584 S 9/2015 Niedzwecki  
D770,111 S \* 10/2016 Lee ..... D32/34  
D775,772 S \* 1/2017 Lee ..... D32/31  
D798,009 S \* 9/2017 Salagnac ..... D32/18  
D799,767 S \* 10/2017 Palladino ..... D32/22  
D804,753 S \* 12/2017 Kim ..... D32/31  
D814,723 S \* 4/2018 Palladino ..... D32/31  
D819,282 S \* 5/2018 Kim ..... D32/22  
D824,616 S \* 7/2018 Ward ..... D32/22  
2011/0219571 A1\* 9/2011 Dyson ..... A47L 5/24  
15/344

(Continued)

(73) Assignee: **Dyson Technology Limited**, Malmesbury, Wiltshire (GB)

FOREIGN PATENT DOCUMENTS

(\*\*) Term: **15 Years**

CN 302917438 8/2014  
CN 303151547 4/2015

(21) Appl. No.: **29/617,681**

(Continued)

(22) Filed: **Sep. 15, 2017**

*Primary Examiner* — Ruth McInroy

(30) **Foreign Application Priority Data**

(74) *Attorney, Agent, or Firm* — Morrison & Foerster LLP

Mar. 16, 2017 (GB) ..... 6009083

(51) **LOC (11) Cl.** ..... **15-05**

(52) **U.S. Cl.**

USPC ..... **D32/22**

(58) **Field of Classification Search**

USPC ..... D32/17-18, 22, 31, 34

CPC ..... A47L 5/24; A47L 5/26; A47L 5/28; A47L

9/322; A47L 9/325; A47L 9/327; A47L

11/4075

See application file for complete search history.

(56) **References Cited**

U.S. PATENT DOCUMENTS

D668,010 S 9/2012 Stickney et al.  
D668,823 S \* 10/2012 Stickney ..... D32/18  
D703,889 S \* 4/2014 Shin ..... D32/18

(57) **CLAIM**

We claim the ornamental design for a vacuum cleaner, as shown and described.

**DESCRIPTION**

FIG. 1 is a perspective view of a vacuum cleaner showing our new design;

FIG. 2 is a side view thereof;

FIG. 3 is a side view of the opposite side of FIG. 2;

FIG. 4 is a front view thereof;

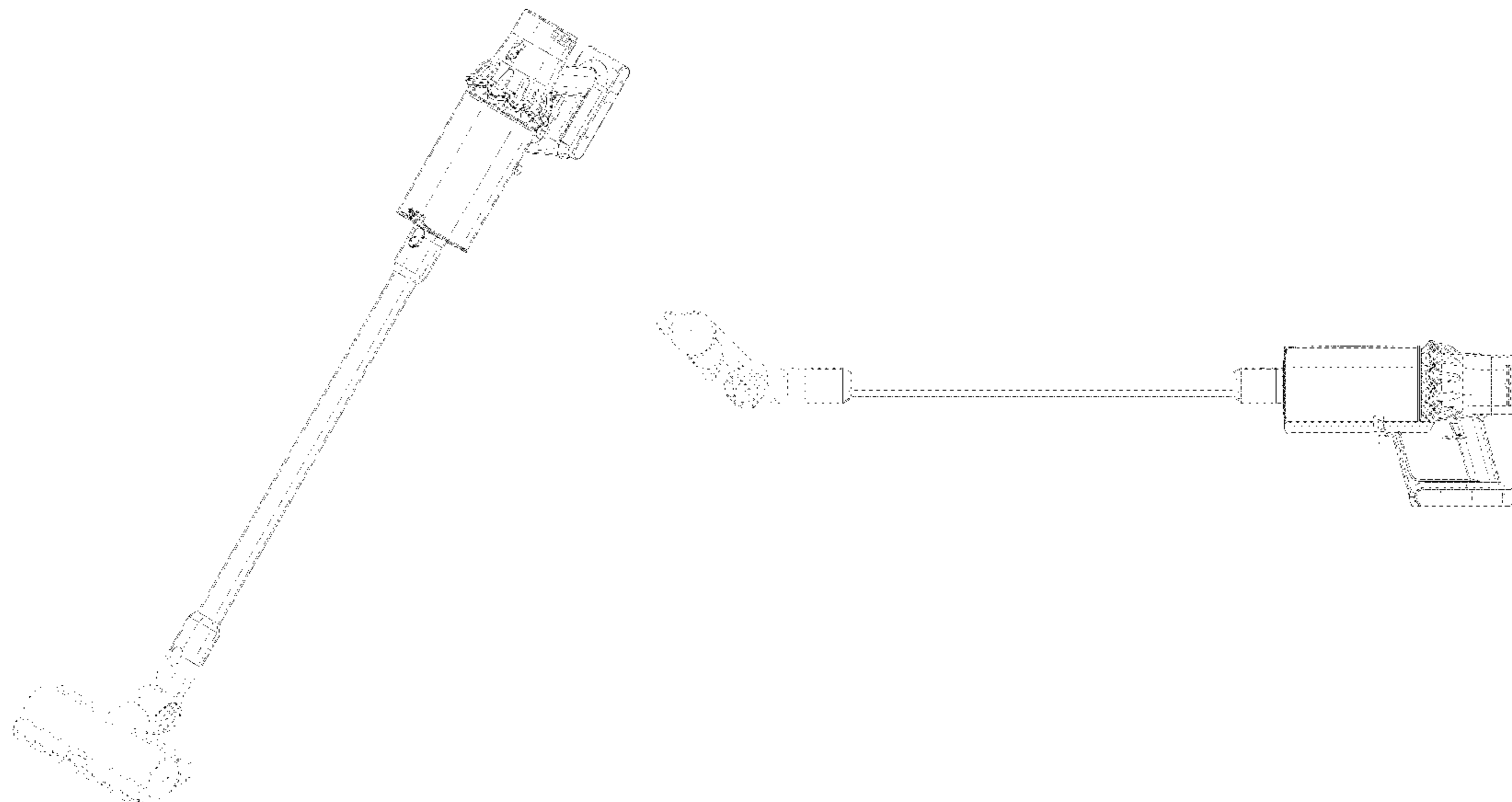
FIG. 5 is a rear view thereof;

FIG. 6 is a top view thereof; and,

FIG. 7 is a bottom view thereof.

The broken lines shown in the drawings illustrate portions of a vacuum cleaner that form no part of the claimed design.

**1 Claim, 7 Drawing Sheets**



(56)

**References Cited**

U.S. PATENT DOCUMENTS

2014/0366286 A1\* 12/2014 Zheng ..... A47L 9/2831  
15/3  
2015/0230677 A1\* 8/2015 Andrikanish ..... A47L 9/102  
15/353  
2016/0174789 A1\* 6/2016 Han ..... A47L 5/24  
15/327.1

FOREIGN PATENT DOCUMENTS

CN	303863321	9/2016
CN	303863324	9/2016
EM	001361141-0001	12/2013
EM	001361141-0003	12/2013
EM	001361141-0004	12/2013
EM	003304583-0001	9/2016
JP	D1543039	2/2016
TW	D180331	12/2016

\* cited by examiner

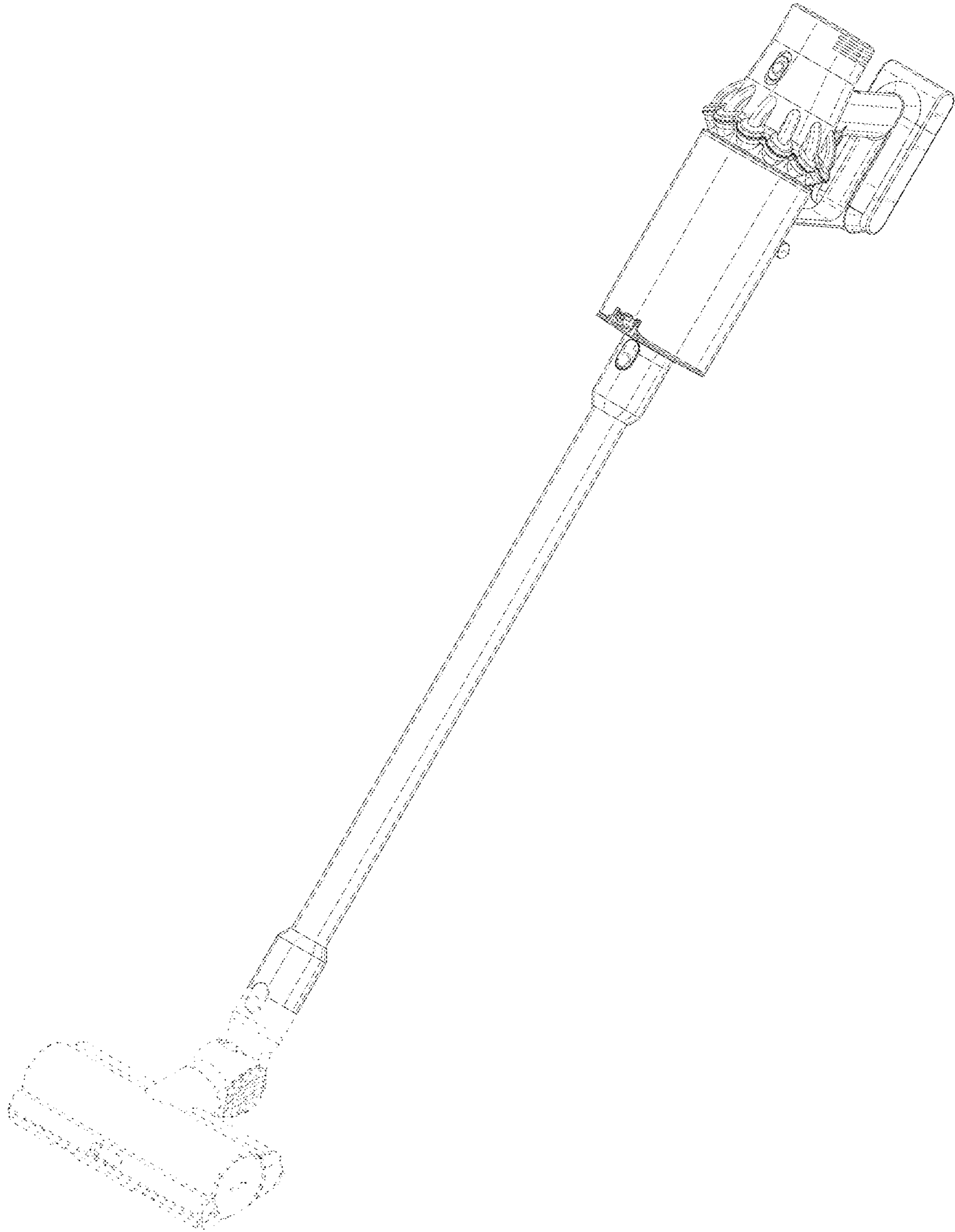


FIG. 1

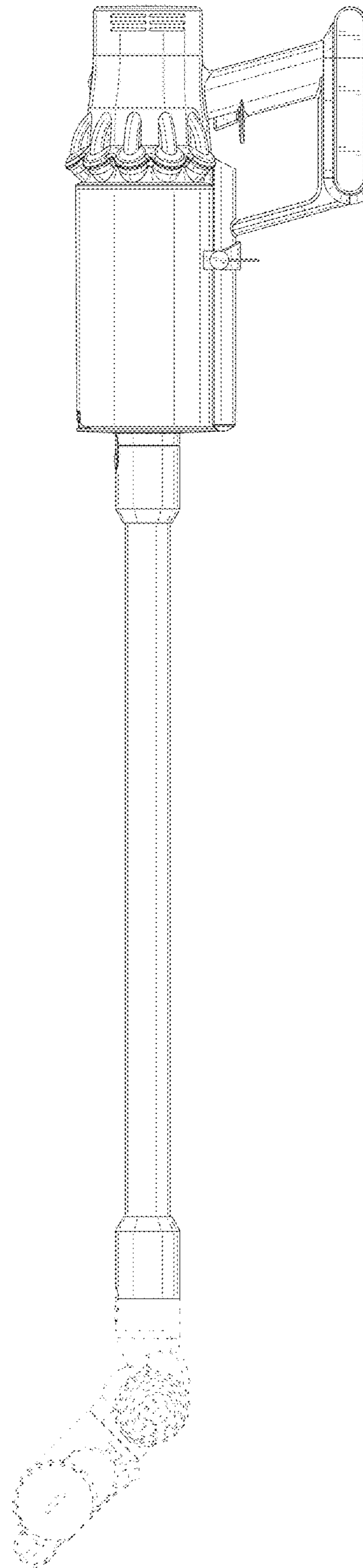


FIG. 2

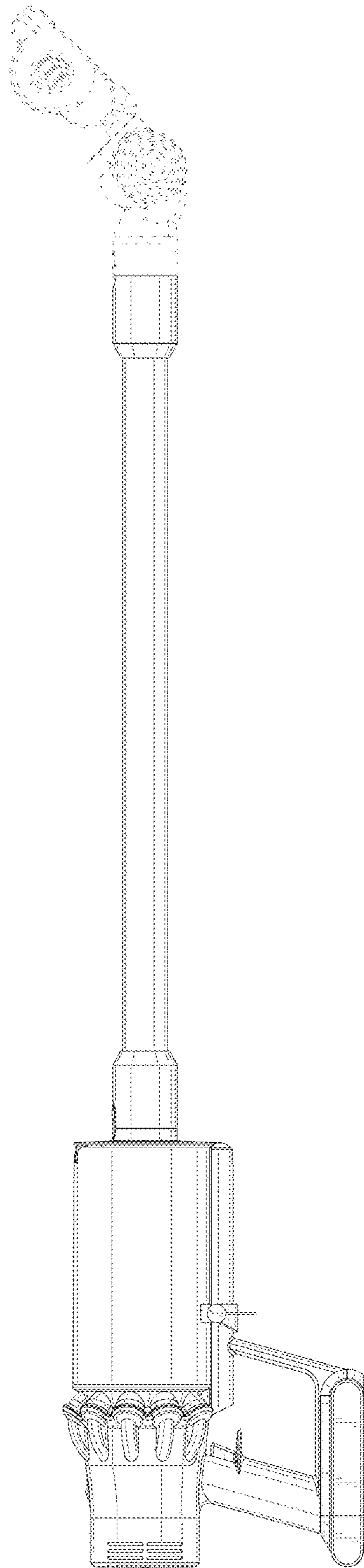


FIG. 3

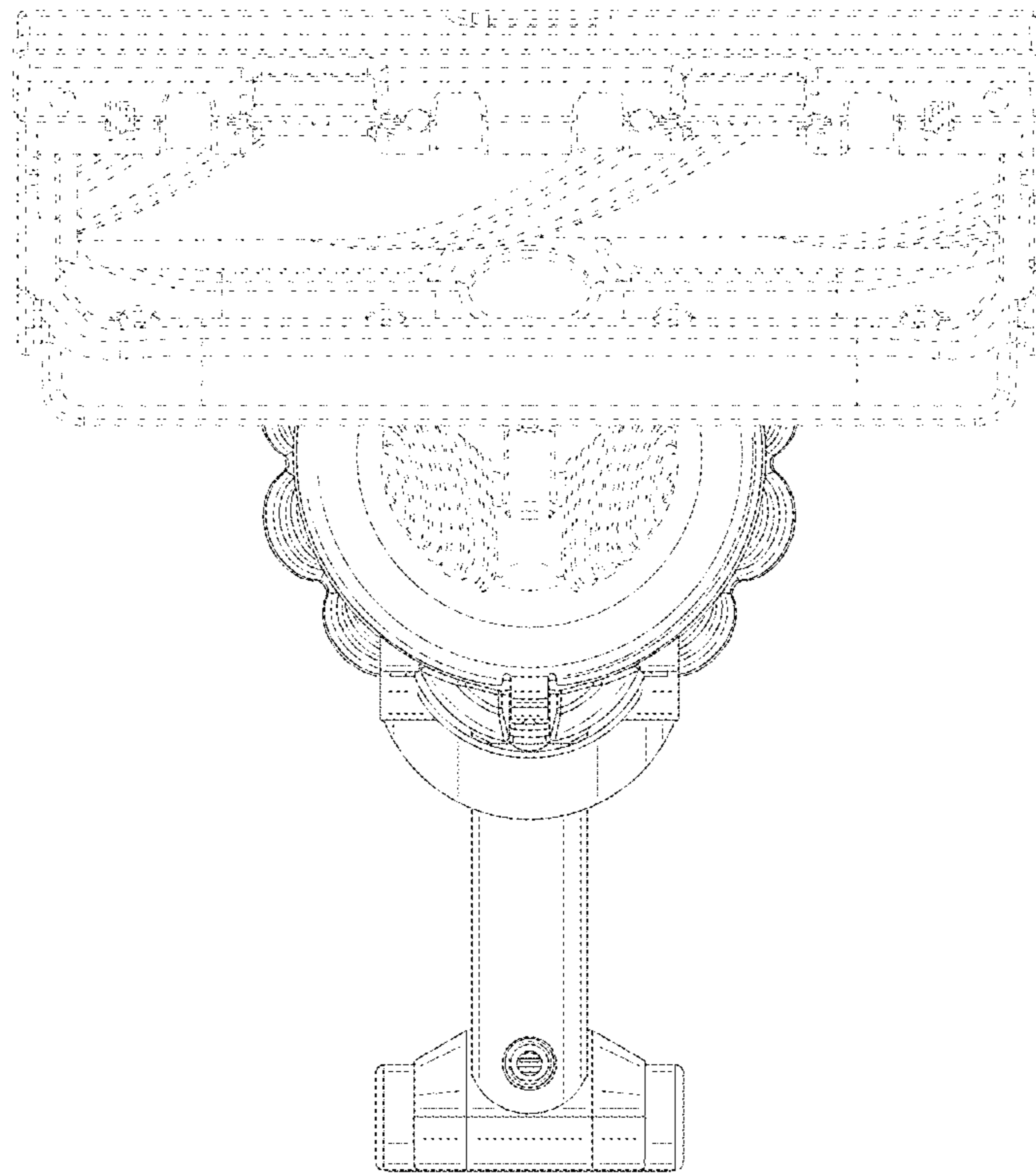


FIG. 4

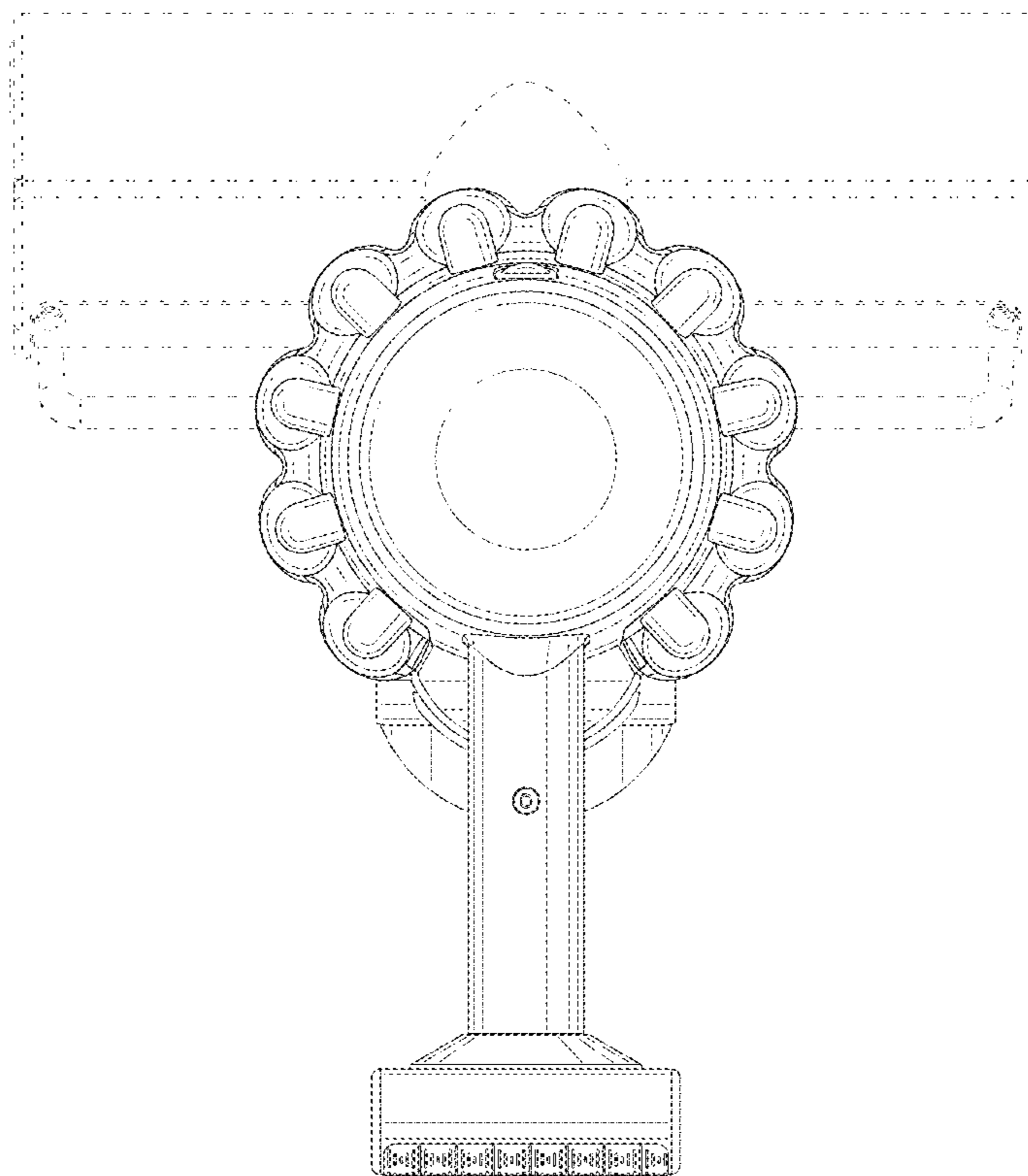


FIG. 5

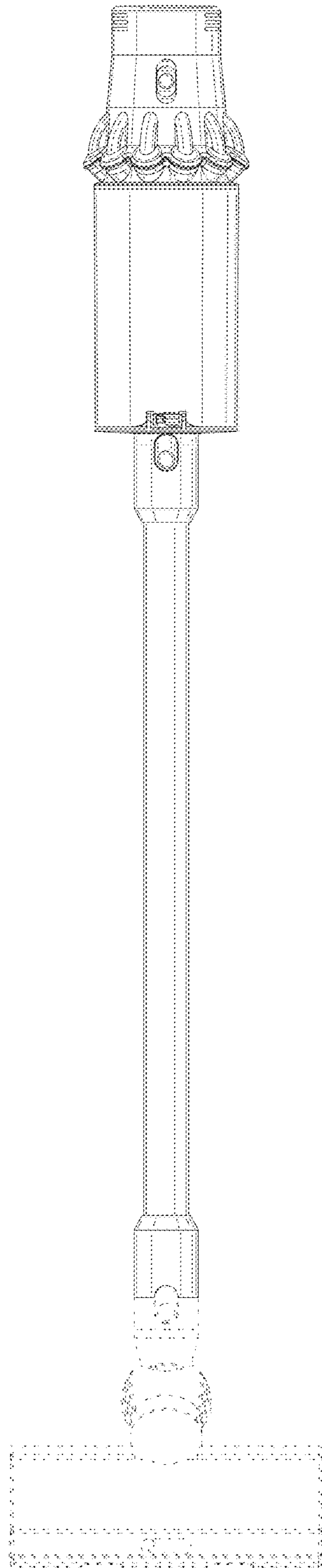


FIG. 6



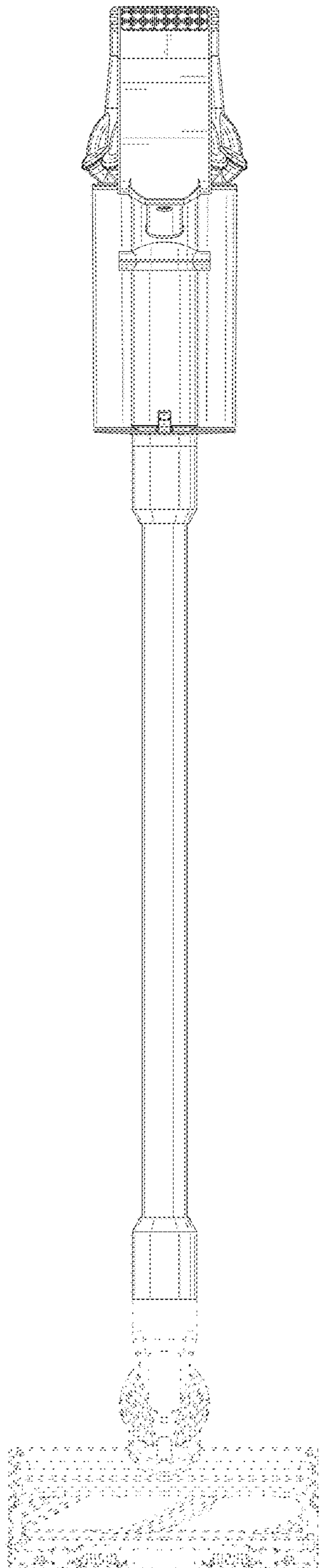


FIG. 7