



US00D844914S

(12) **United States Design Patent**
Houghton

(10) **Patent No.:** **US D844,914 S**

(45) **Date of Patent:** **** Apr. 2, 2019**

(54) **VACUUM CLEANER**

(71) Applicant: **BLACK & DECKER INC.**, New Britain, CT (US)

(72) Inventor: **Stephen Houghton**, Tyne & Wear (GB)

(73) Assignee: **Black & Decker, Inc.**, Newark, DE (US)

(**) Term: **15 Years**

(21) Appl. No.: **29/602,092**

(22) Filed: **Apr. 28, 2017**

(30) **Foreign Application Priority Data**

Oct. 31, 2016 (EP) 003441831

(51) **LOC (11) Cl.** **15-05**

(52) **U.S. Cl.**
USPC **D32/22**

(58) **Field of Classification Search**
USPC D32/22, 17, 31
CPC A47L 5/28; A47L 5/30; A47L 9/20; A47L 9/32; A47L 9/325; A47L 9/327; A47L 7/0004; A47L 7/0009; A47L 7/0038; A47L 11/29

See application file for complete search history.

(56) **References Cited**

U.S. PATENT DOCUMENTS

D418,266 S *	12/1999	Medema	D32/22
D608,962 S *	1/2010	Reese	D32/22
D615,717 S *	5/2010	Butts	D32/22
D662,677 S *	6/2012	Bilger	D32/22
D677,844 S *	3/2013	Nicora	D32/22
D739,620 S *	9/2015	Johnson	D32/22
D769,557 S *	10/2016	Johnson	D32/22
D796,756 S *	9/2017	Niedzwecki	D32/22
D804,751 S *	12/2017	Johnson	D32/22
D816,926 S *	5/2018	Crawley	D32/22

* cited by examiner

Primary Examiner — Ruth McInroy

(74) *Attorney, Agent, or Firm* — John Yun

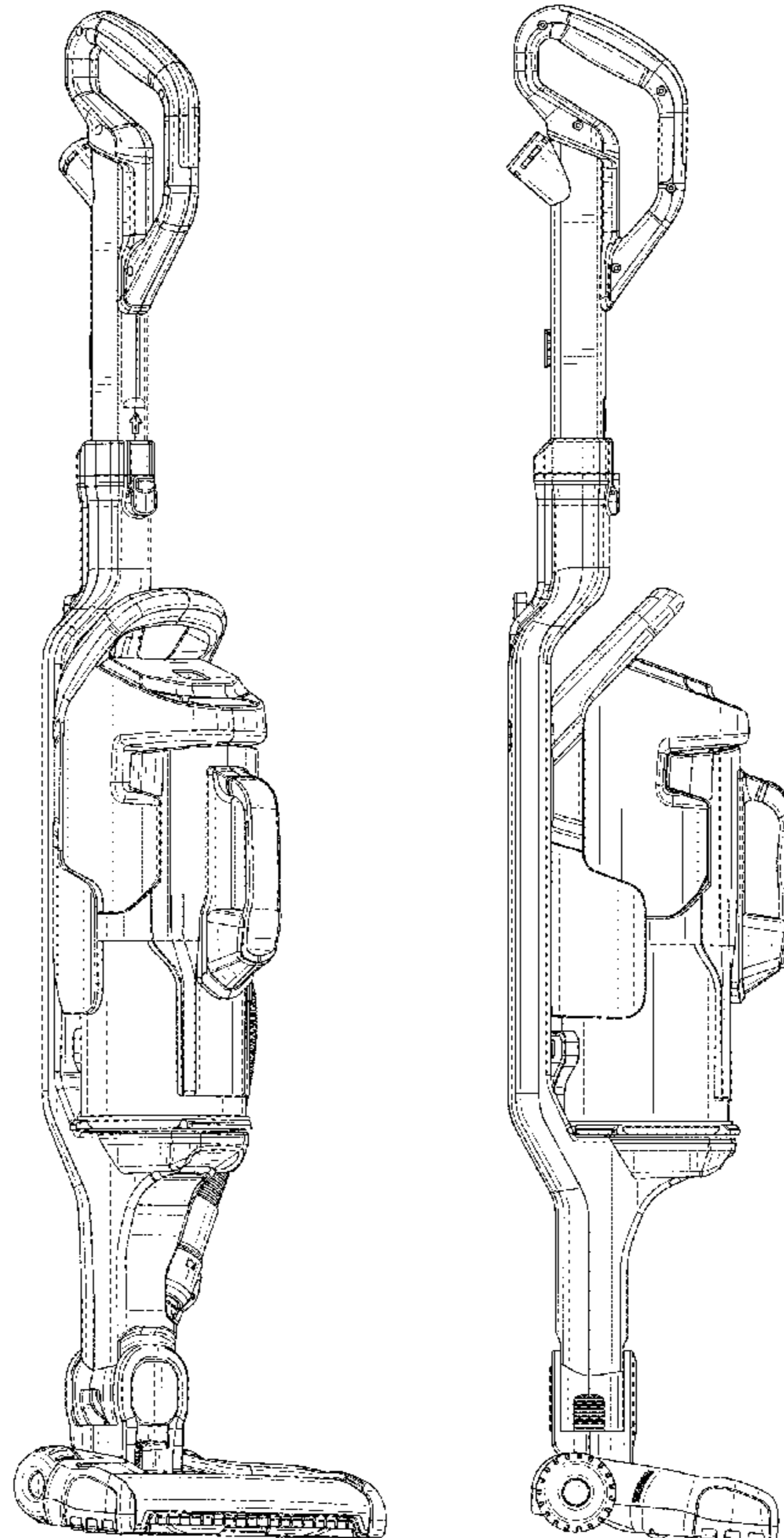
(57) **CLAIM**

The ornamental design for a vacuum cleaner, as shown and described.

DESCRIPTION

FIG. 1 is a perspective view of a vacuum cleaner;
FIG. 2 is a front view thereof;
FIG. 3 is a rear view thereof;
FIG. 4 is a right side view thereof;
FIG. 5 is a left side view thereof;
FIG. 6 is a top view thereof; and,
FIG. 7 is a bottom view thereof.

1 Claim, 7 Drawing Sheets



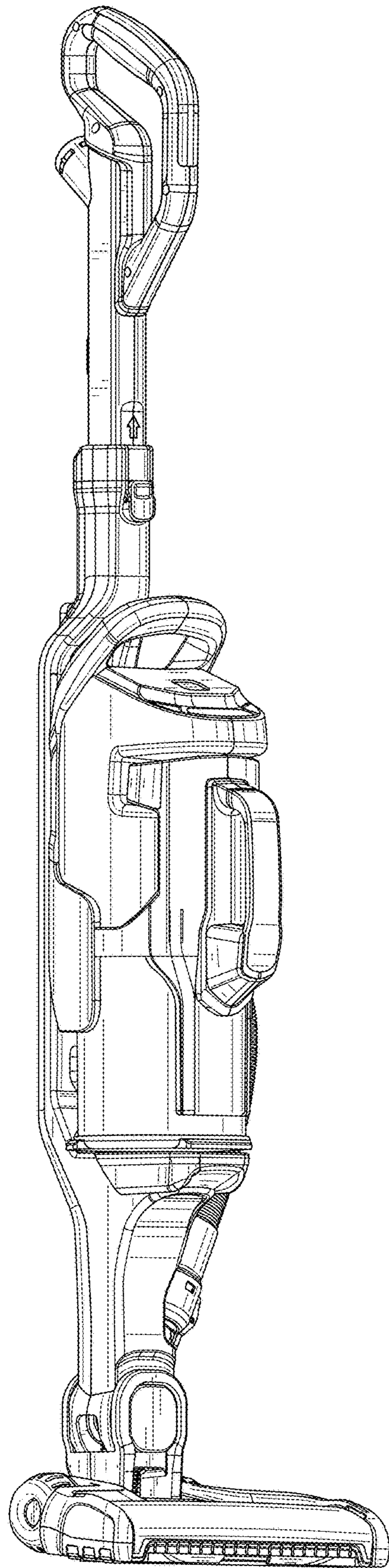


FIG. 1

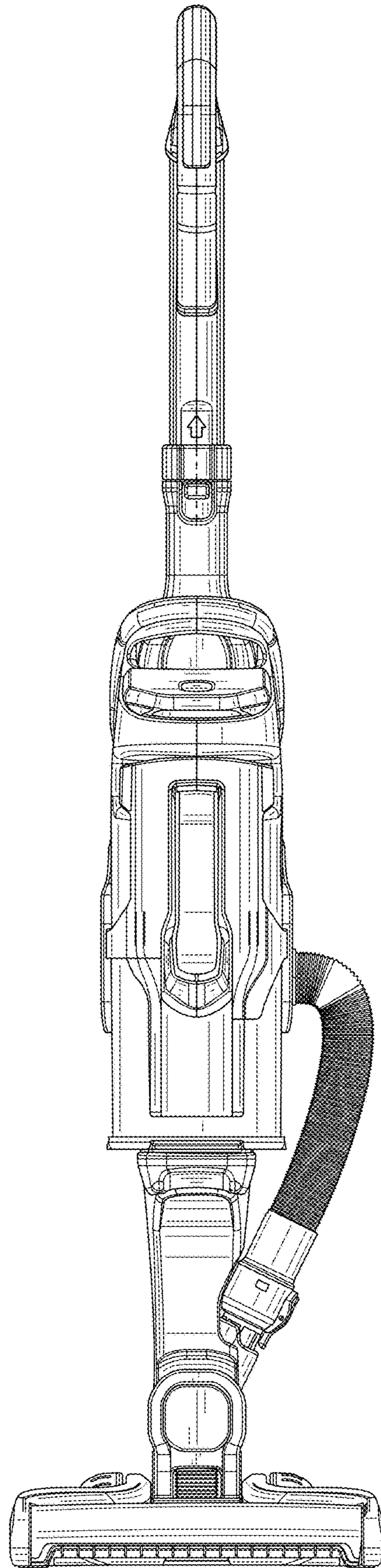


FIG. 2

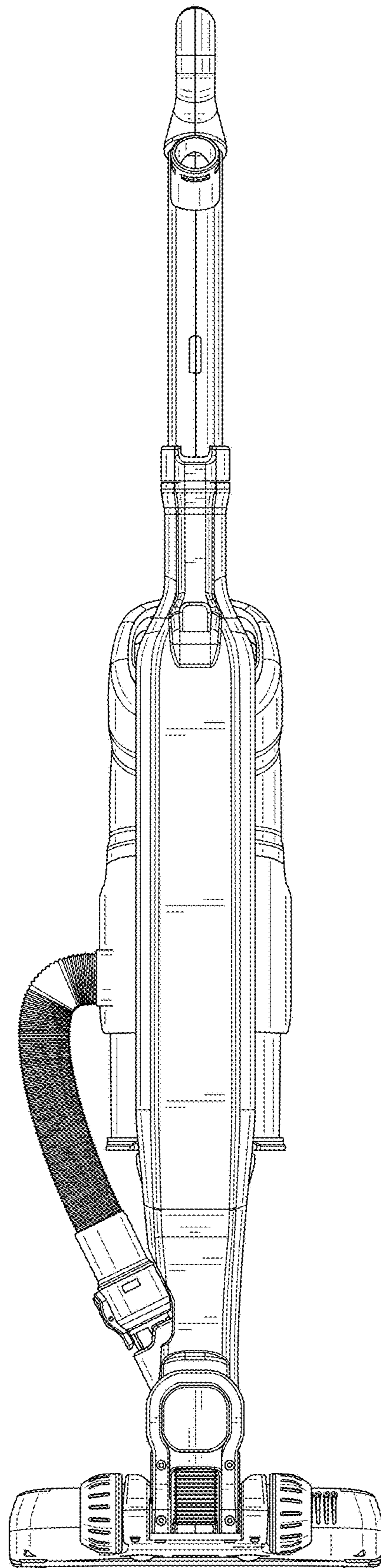


FIG. 3

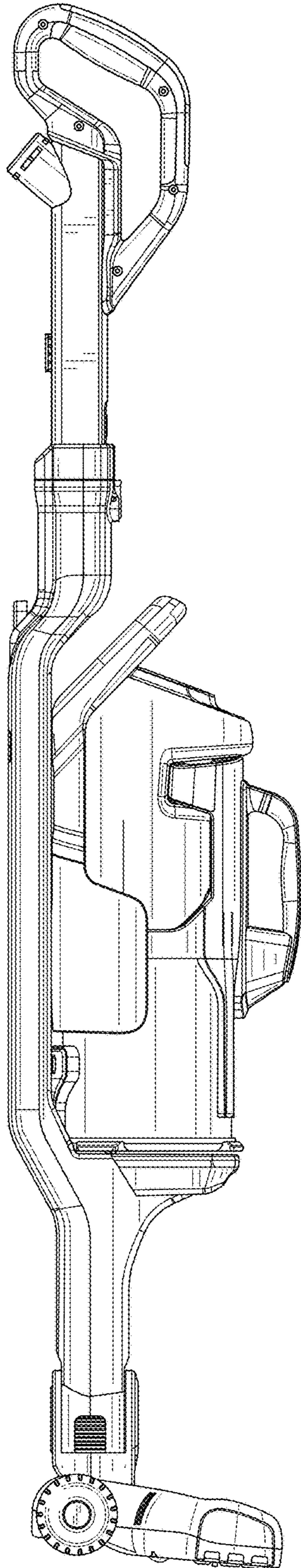


FIG. 4

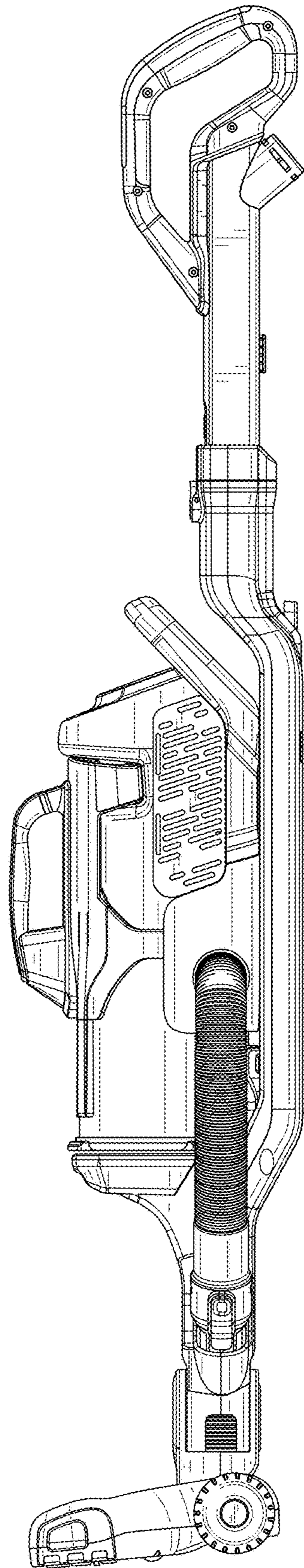


FIG. 5

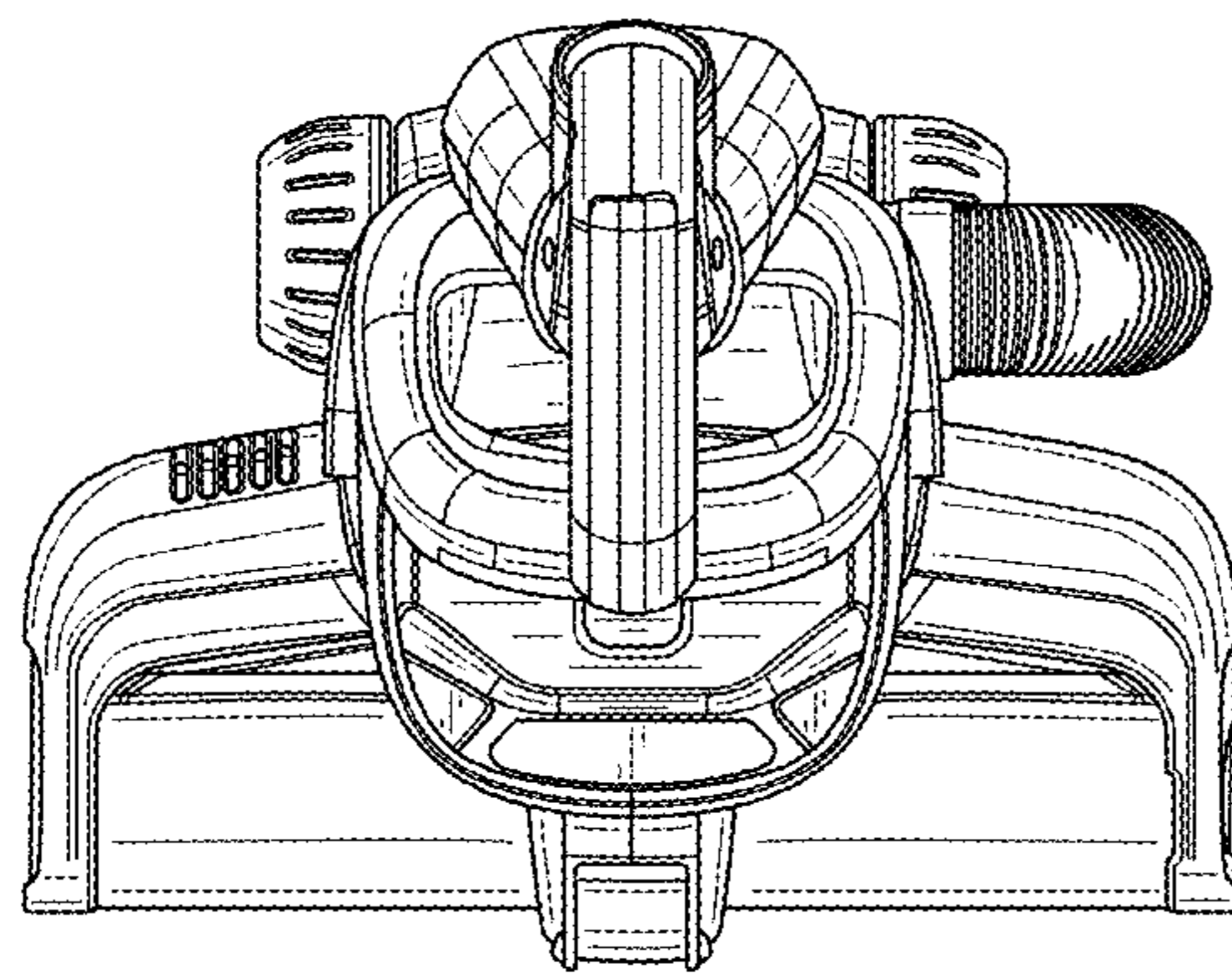


FIG. 6

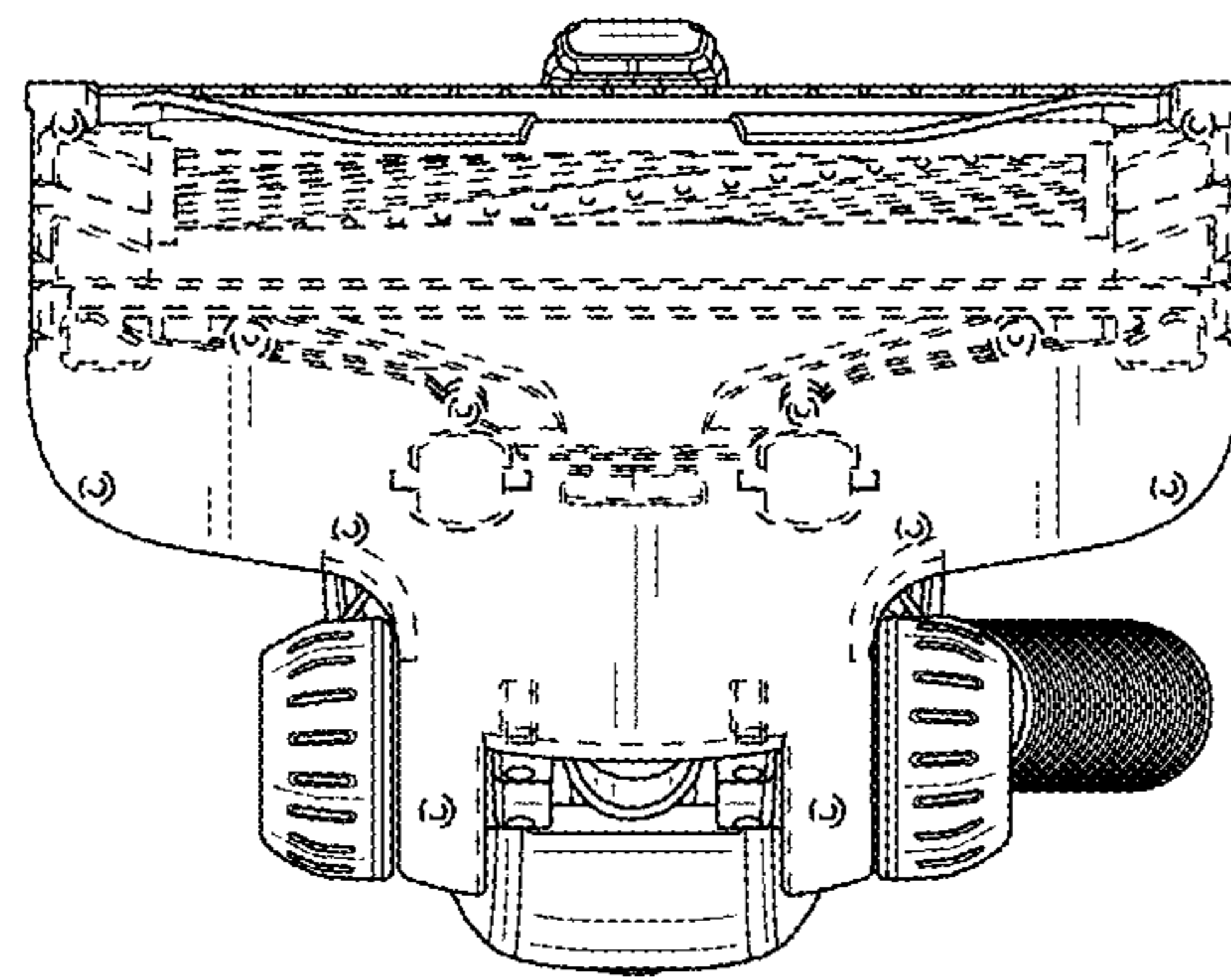


FIG. 7