

US00D844912S

(12) **United States Design Patent**
Gammack et al.

(10) **Patent No.: US D844,912 S**

(45) **Date of Patent: ** Apr. 2, 2019**

- (54) **VACUUM CLEANER**
- (71) Applicant: **Dyson Technology Limited**, Wiltshire (GB)
- (72) Inventors: **Peter David Gammack**, Gloucester (GB); **Stephen Robert Dimbylow**, Swindon (GB); **Robert Hinchliffe**, Bristol (GB); **Jeremy William Crouch**, Swindon (GB); **Alexander Patrick Webster**, Bristol (GB); **Charles Franklin Gale**, Bristol (GB)
- (73) Assignee: **Dyson Technology Limited**, Malmesbury, Wiltshire (GB)

8,925,145 B2 * 1/2015 Wilson A47L 5/24
15/347
D731,130 S * 6/2015 Dyson D32/18
D731,133 S 6/2015 Dyson et al.
D731,134 S * 6/2015 Dyson D32/31
D731,720 S 6/2015 Gidwell et al.
D741,558 S 10/2015 Kerr

(Continued)

FOREIGN PATENT DOCUMENTS

EM 001361141-0001 12/2013
EM 001361141-0003 12/2013

(Continued)

OTHER PUBLICATIONS

Gammack et al., U.S. Office Action dated Aug. 24, 2018, directed to U.S. Appl. No. 29/617,663; 8 pages.

(Continued)

Primary Examiner — Ruth McInroy
(74) *Attorney, Agent, or Firm* — Morrison & Foerster LLP

(**) Term: **15 Years**

(21) Appl. No.: **29/617,662**

(22) Filed: **Sep. 15, 2017**

(30) **Foreign Application Priority Data**

Mar. 16, 2017 (GB) 6009063

(51) **LOC (11) Cl.** **15-05**

(52) **U.S. Cl.**
USPC **D32/18**

(58) **Field of Classification Search**
USPC D32/17-18, 22, 31, 34
CPC A47L 5/24; A47L 5/06; A47L 5/28; A47L 9/127; A47L 9/1683; A47L 9/16; A47L 9/1608; A47L 9/322
See application file for complete search history.

(56) **References Cited**

U.S. PATENT DOCUMENTS

D668,823 S 10/2012 Stickney et al.
8,302,250 B2 * 11/2012 Dyson A47L 5/24
15/327.1
8,397,344 B2 3/2013 Liddell
D708,803 S 7/2014 Dyson et al.

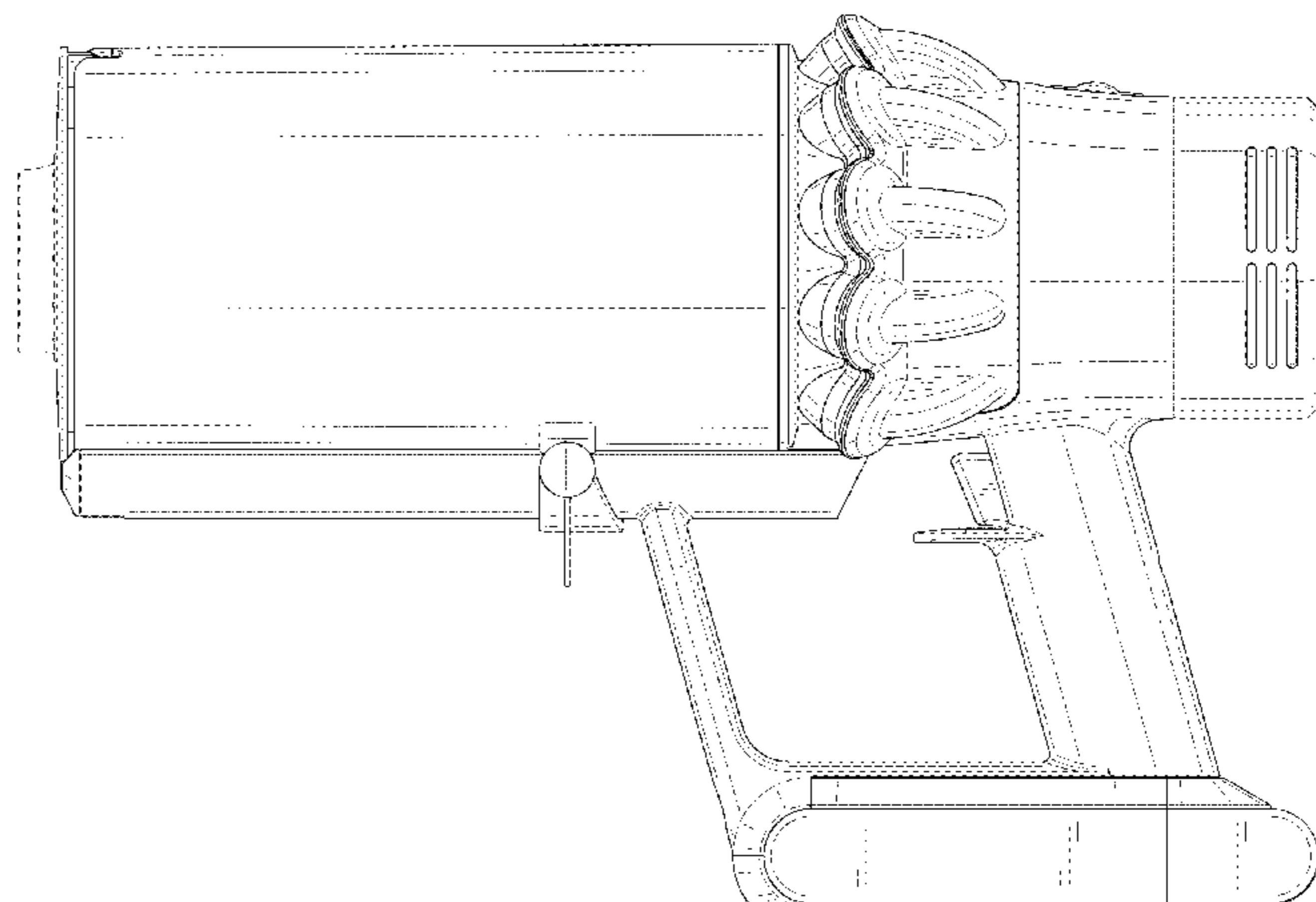
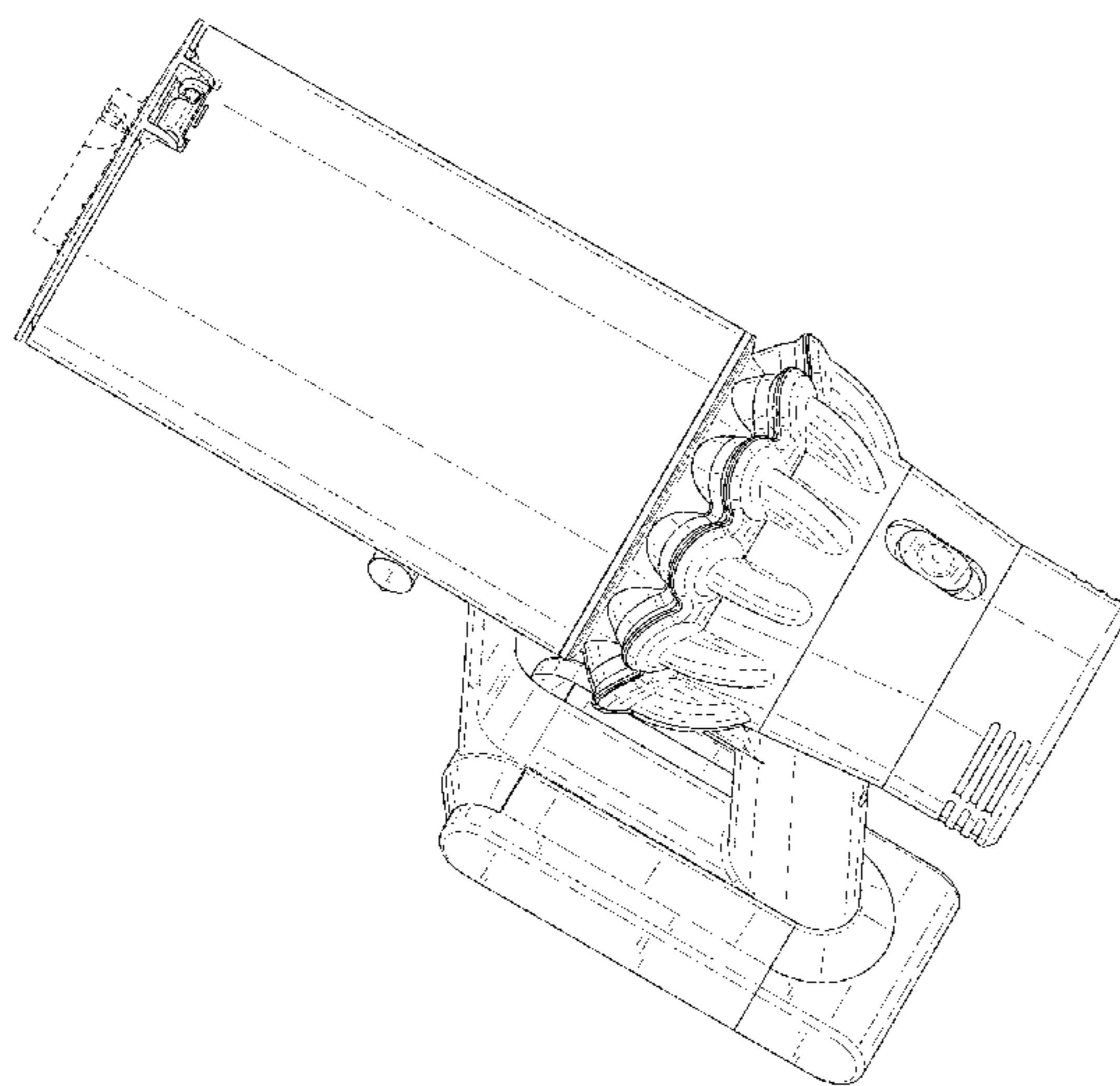
(57) **CLAIM**

We claim the ornamental design for a vacuum cleaner, as shown and described.

DESCRIPTION

FIG. 1 is a perspective view of a vacuum cleaner showing our new design;
FIG. 2 is a side view thereof;
FIG. 3 is a side view of the opposite side of FIG. 2;
FIG. 4 is a front view thereof;
FIG. 5 is a rear view thereof;
FIG. 6 is a top view thereof; and,
FIG. 7 is a bottom view thereof.
The broken lines shown in the drawings illustrate portions of a vacuum cleaner that form no part of the claimed design.

1 Claim, 7 Drawing Sheets



(56)

References Cited

U.S. PATENT DOCUMENTS

D747,571 S * 1/2016 Dyson D32/18
D747,572 S * 1/2016 Kerr D32/18
9,451,858 B2 9/2016 Stickney et al.
D792,665 S * 7/2017 Salagnac D32/18
9,788,697 B2 * 10/2017 Peace A47L 9/165
D813,475 S * 3/2018 Lee D32/18
D821,044 S * 6/2018 Cao D32/18
9,986,880 B2 * 6/2018 Conrad A47L 5/225
D826,493 S 8/2018 Nam et al.
2009/0307863 A1 * 12/2009 Milne A47L 5/24
15/344

FOREIGN PATENT DOCUMENTS

EM 001361141-0009 12/2013
JP D1528476 7/2015
JP D1541956 1/2016

OTHER PUBLICATIONS

Gammack et al., U.S. Office Action dated Aug. 24, 2018, directed to U.S. Appl. No. 29/617,685; 6 pages.

Gammack et al., U.S. Office Action dated Aug. 24, 2018, directed to U.S. Appl. No. 29/617,688; 6 pages.
Gammack et al., U.S. Office Action dated Aug. 24, 2018, directed to U.S. Appl. No. 29/617,692; 6 pages.
Gammack et al., U.S. Office Action dated Aug. 27, 2018, directed to U.S. Appl. No. 29/617,693; 6 pages.
Gammack et al., U.S. Office Action dated Aug. 27, 2018, directed to U.S. Appl. No. 29/617,694; 6 pages.
Gammack et al., U.S. Office Action dated Aug. 27, 2018, directed to U.S. Appl. No. 29/617,699; 6 pages.
Gammack et al., U.S. Office Action dated Aug. 30, 2018, directed to U.S. Appl. No. 29/617,672; 7 pages.
Gammack et al., U.S. Office Action dated Aug. 30, 2018, directed to U.S. Appl. No. 29/617,677; 6 pages.
Gammack et al., U.S. Office Action dated Aug. 30, 2018, directed to U.S. Appl. No. 29/617,680; 6 pages.
Gammack et al., U.S. Office Action dated Aug. 30, 2018, directed to U.S. Appl. No. 29/617,683; 6 pages.
Gammack et al., U.S. Office Action dated Aug. 30, 2018, directed to U.S. Appl. No. 29/617,684; 6 pages.
Gammack et al., U.S. Office Action dated Aug. 30, 2018, directed to U.S. Appl. No. 29/617,689; 6 pages.

* cited by examiner

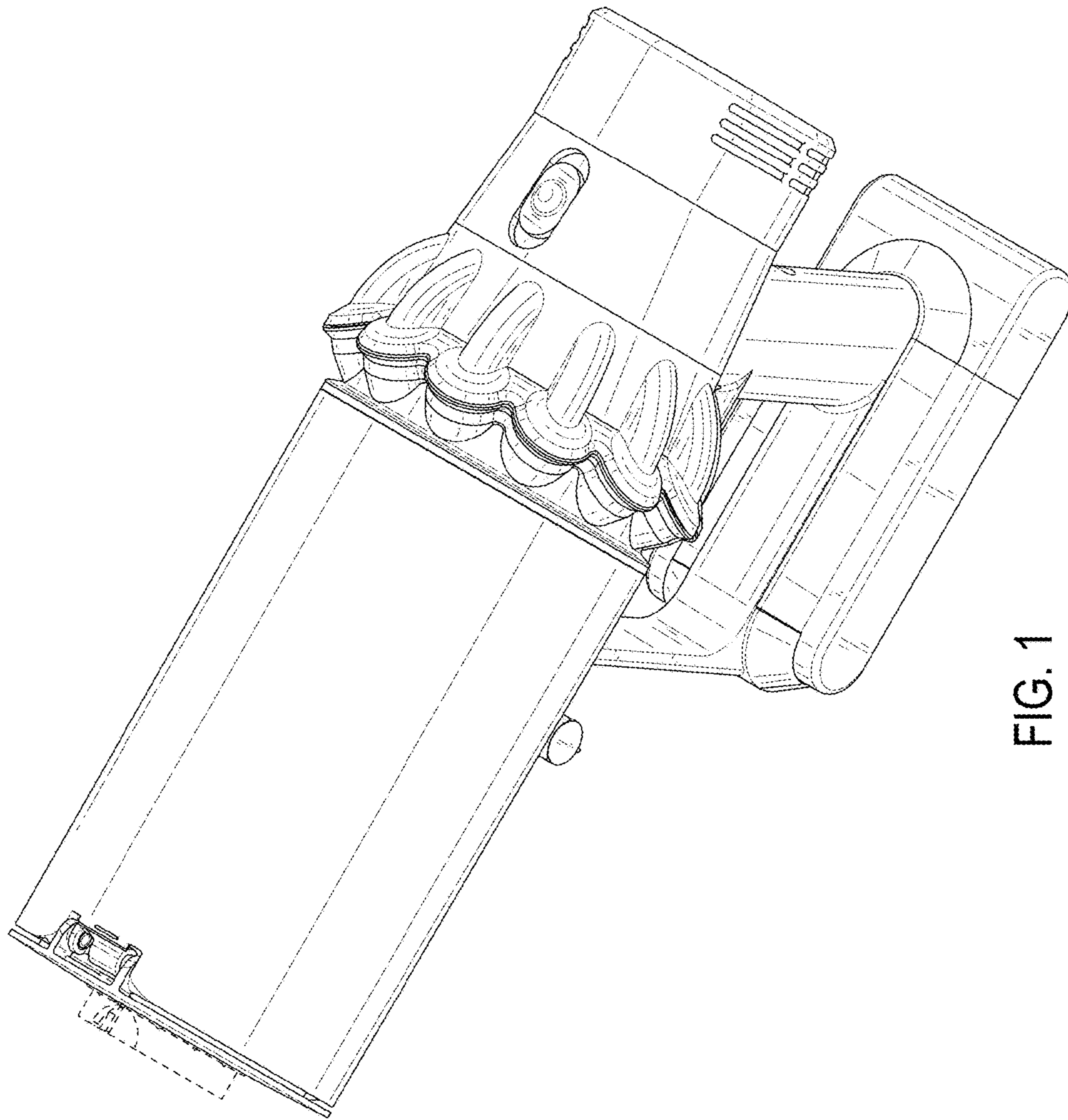


FIG. 1

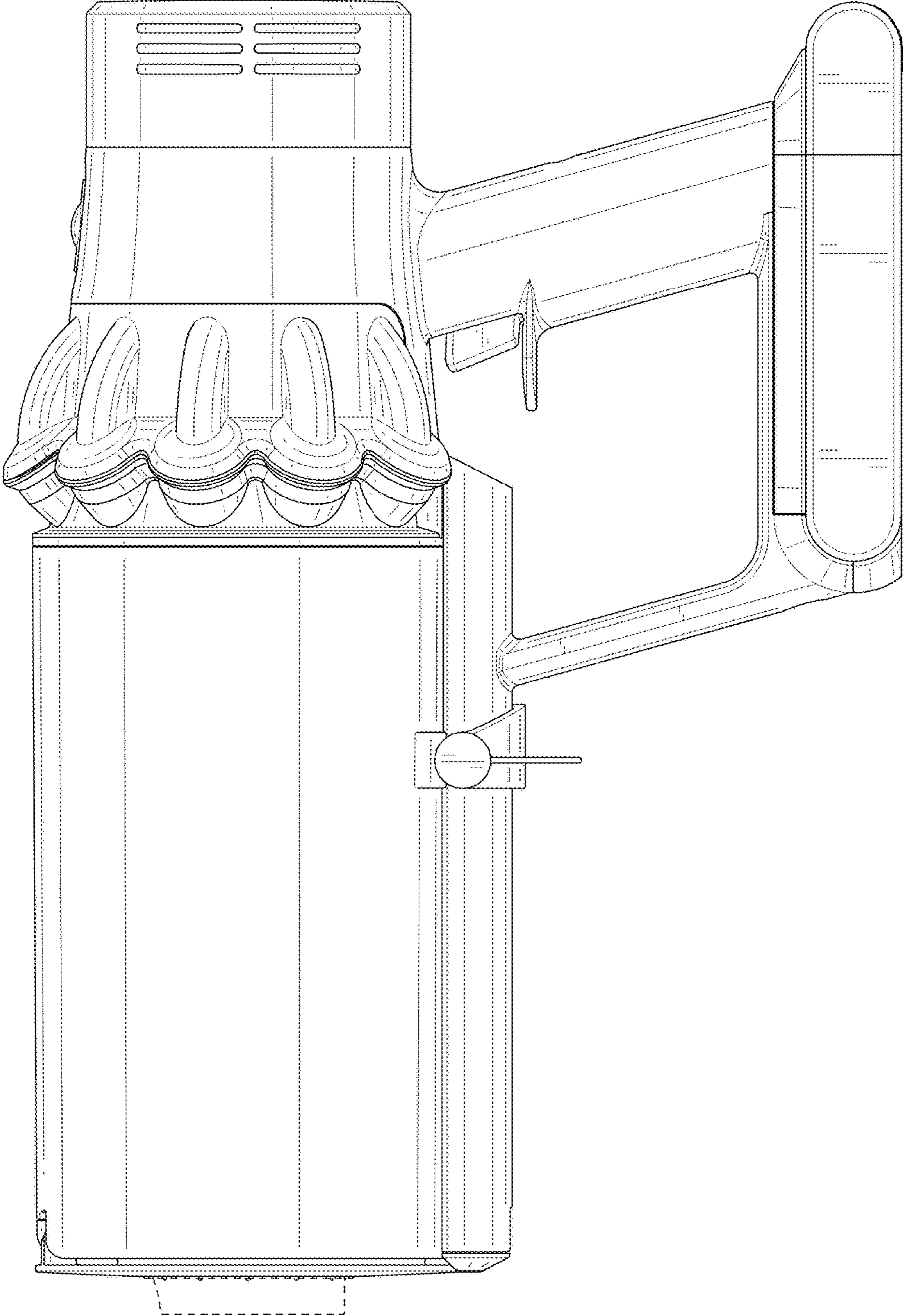


FIG. 2

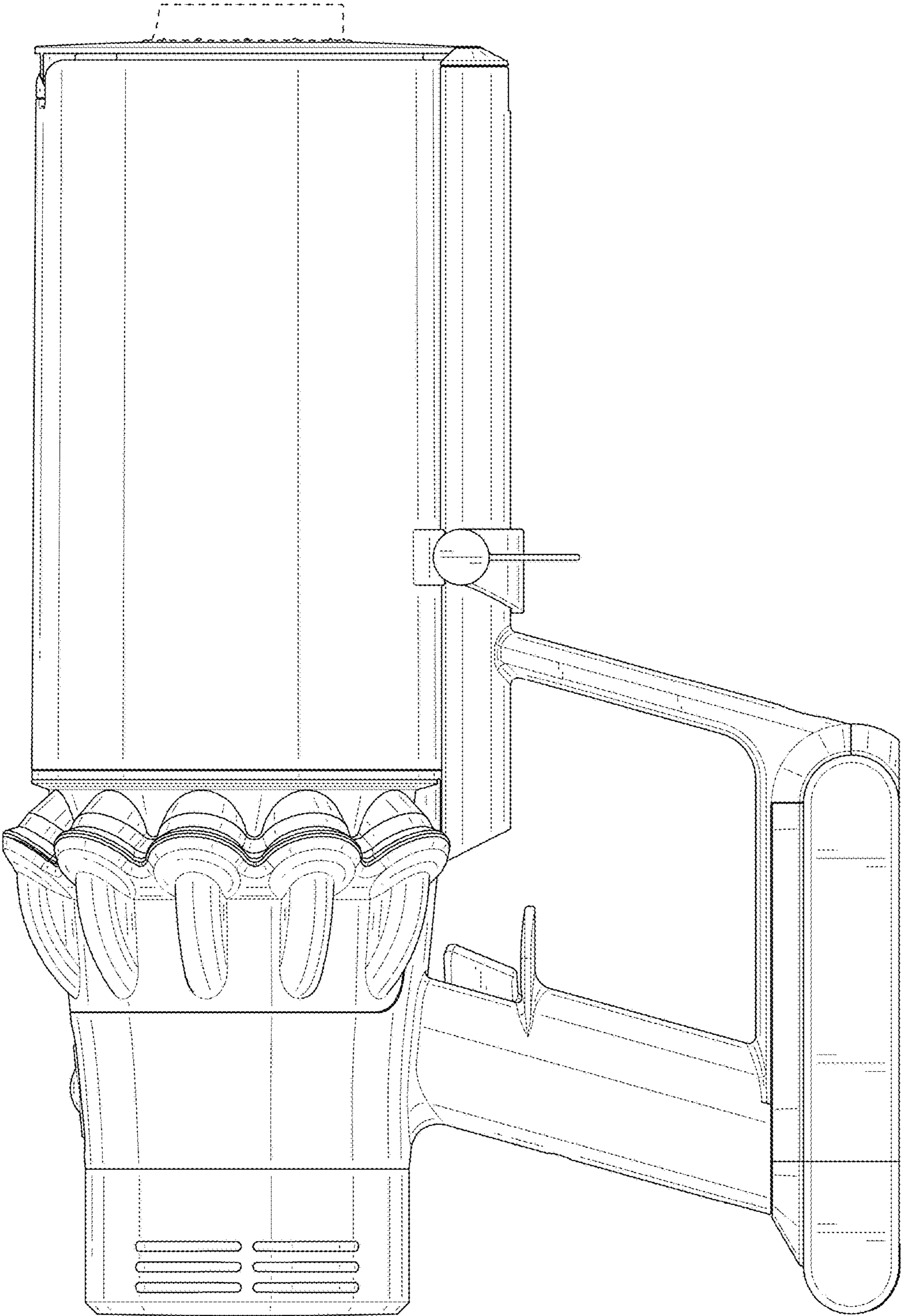


FIG. 3

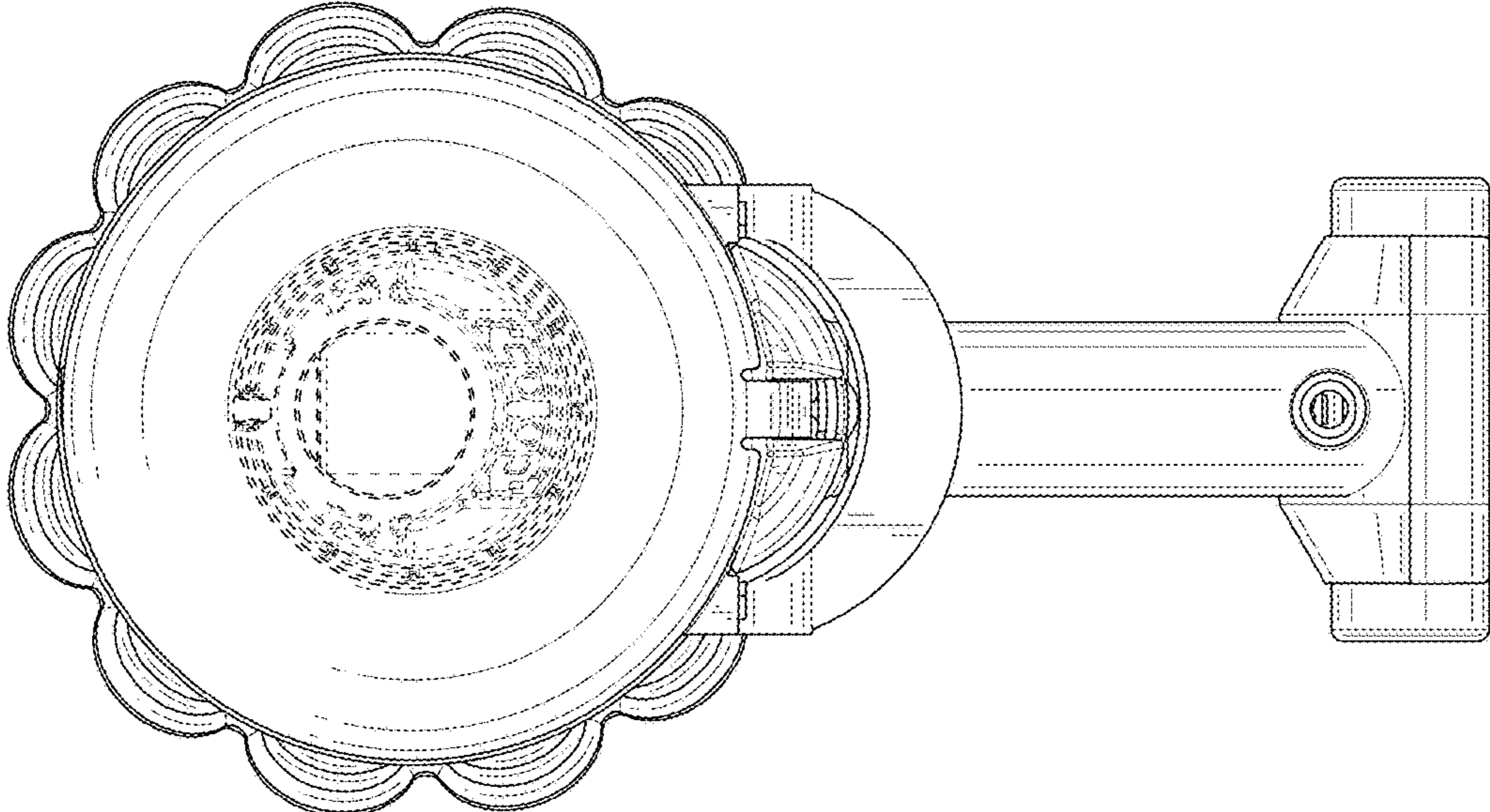


FIG. 4

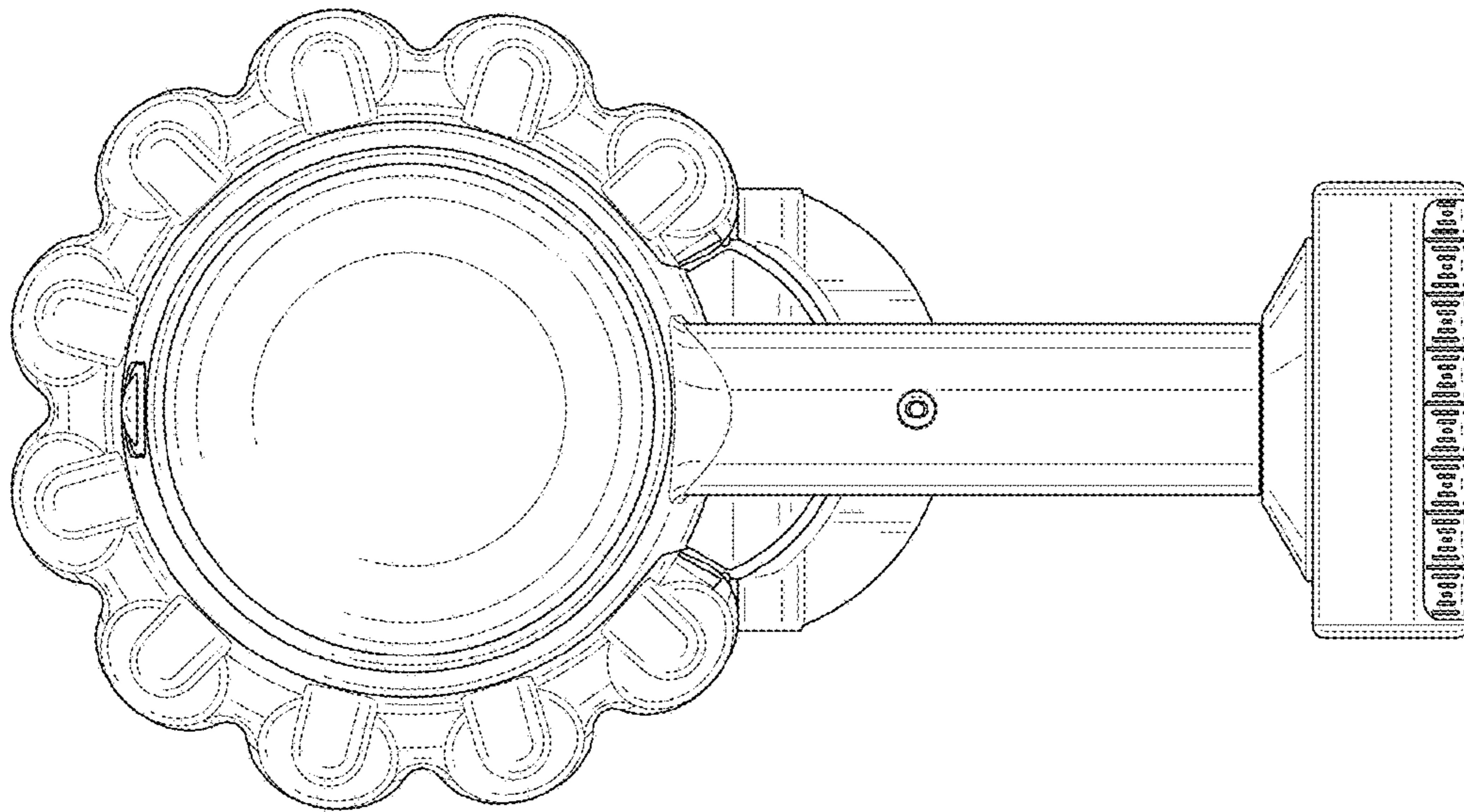


FIG. 5

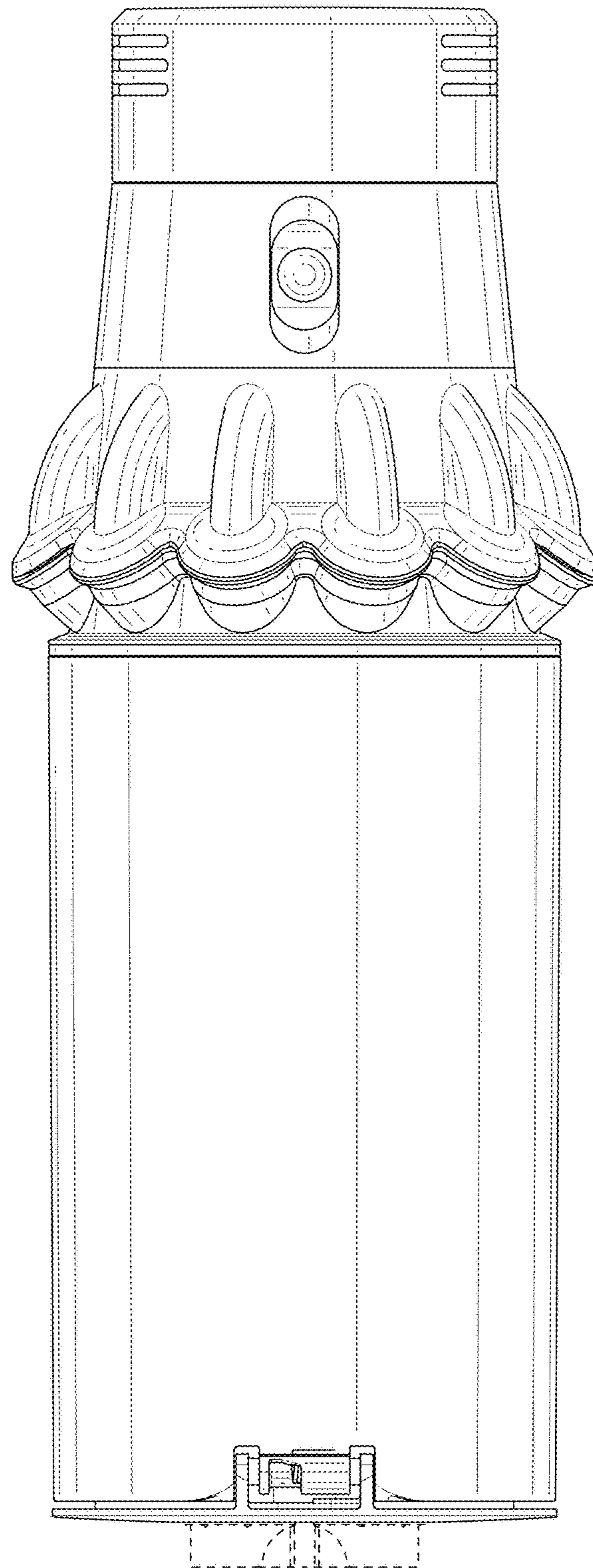


FIG. 6

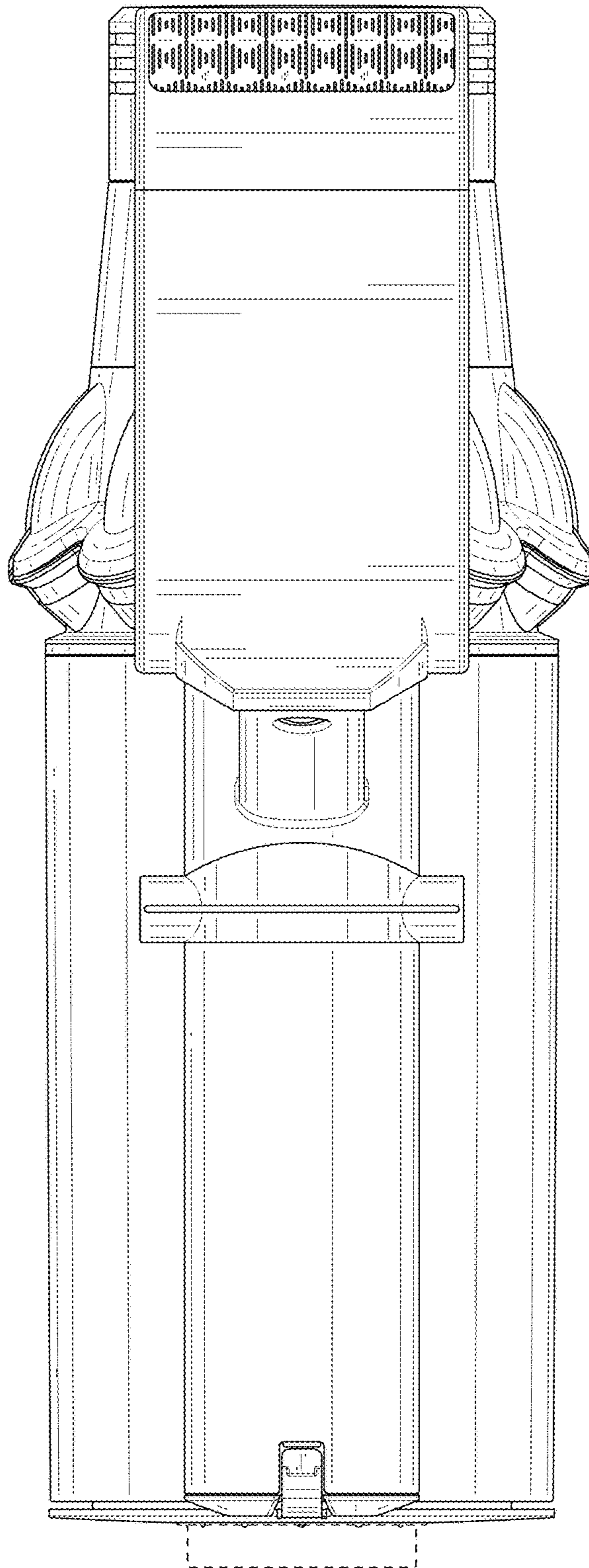


FIG. 7