



US00D844910S

(12) **United States Design Patent**
Wu

(10) **Patent No.:** **US D844,910 S**

(45) **Date of Patent:** **** Apr. 2, 2019**

(54) **SUCKER FOR CONDUIT DREDGE**

(71) Applicant: **Kuei-Kun Wu**, Kaohsiung (TW)

(72) Inventor: **Kuei-Kun Wu**, Kaohsiung (TW)

(**) Term: **15 Years**

(21) Appl. No.: **29/609,481**

(22) Filed: **Jun. 30, 2017**

(51) **LOC (11) Cl.** **15-05**

(52) **U.S. Cl.**
USPC **D32/14**

(58) **Field of Classification Search**
USPC D23/258-259; D32/14, 25;
4/255.01-255.03, 255.05-255.06,
4/255.08-255.09, 255.11-255.12;
15/104.03-104.5, 104.12, 104.13, 104.32;
134/22.11-22.12, 167 C
CPC E03C 1/308; E03F 9/005; E02D 5/803;
B08B 9/045
See application file for complete search history.

(56) **References Cited**

U.S. PATENT DOCUMENTS

D110,337 S *	7/1938	Becker	4/404
4,186,451 A *	2/1980	Ruo	E03C 1/308
				4/255.02
4,847,923 A *	7/1989	Huang	E03C 1/308
				4/255.03
D312,713 S *	12/1990	Levine	D32/14
D448,534 S *	9/2001	Wang	D32/35
D465,888 S *	11/2002	Wang	D32/35
7,073,211 B1 *	7/2006	Wu	E03C 1/308
				4/255.01

D535,073 S *	1/2007	Leaphart	D32/35
D688,840 S *	8/2013	Wu	D32/14
D690,959 S *	10/2013	Yang	D6/524
D796,127 S *	8/2017	Guthrie	E03D 9/00
				D32/14
D807,730 S *	1/2018	Wu	D8/356
2001/0029968 A1 *	10/2001	Kihs	B08B 9/0321
				134/22.12
2008/0097351 A1 *	4/2008	Sapia	E03C 1/302
				604/267
2016/0376777 A1 *	12/2016	Burns	E03C 1/308
				4/255.11

* cited by examiner

Primary Examiner — Eric L Goodman
Assistant Examiner — Amy C Wierenga
(74) *Attorney, Agent, or Firm* — WPAT, PC

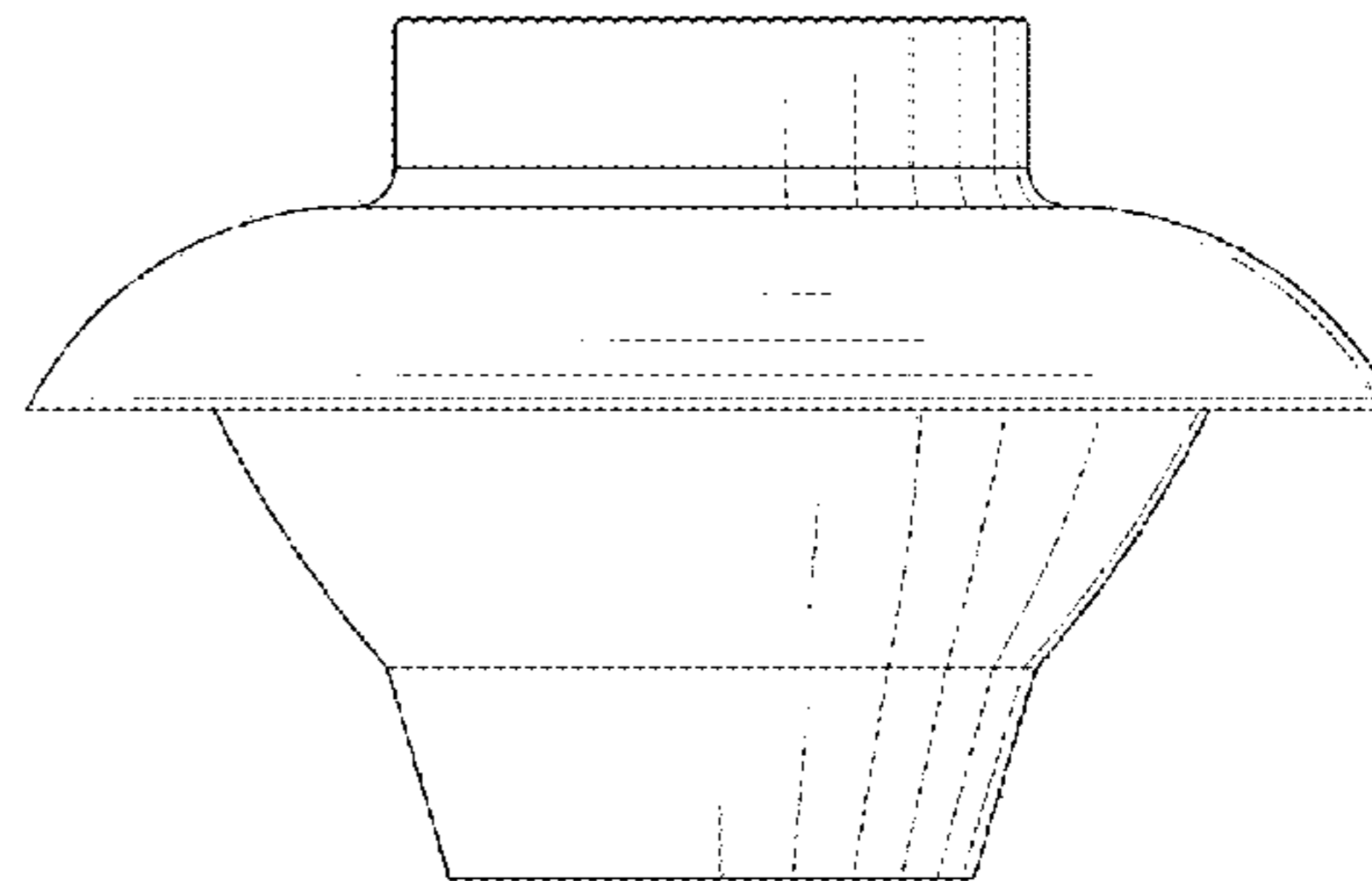
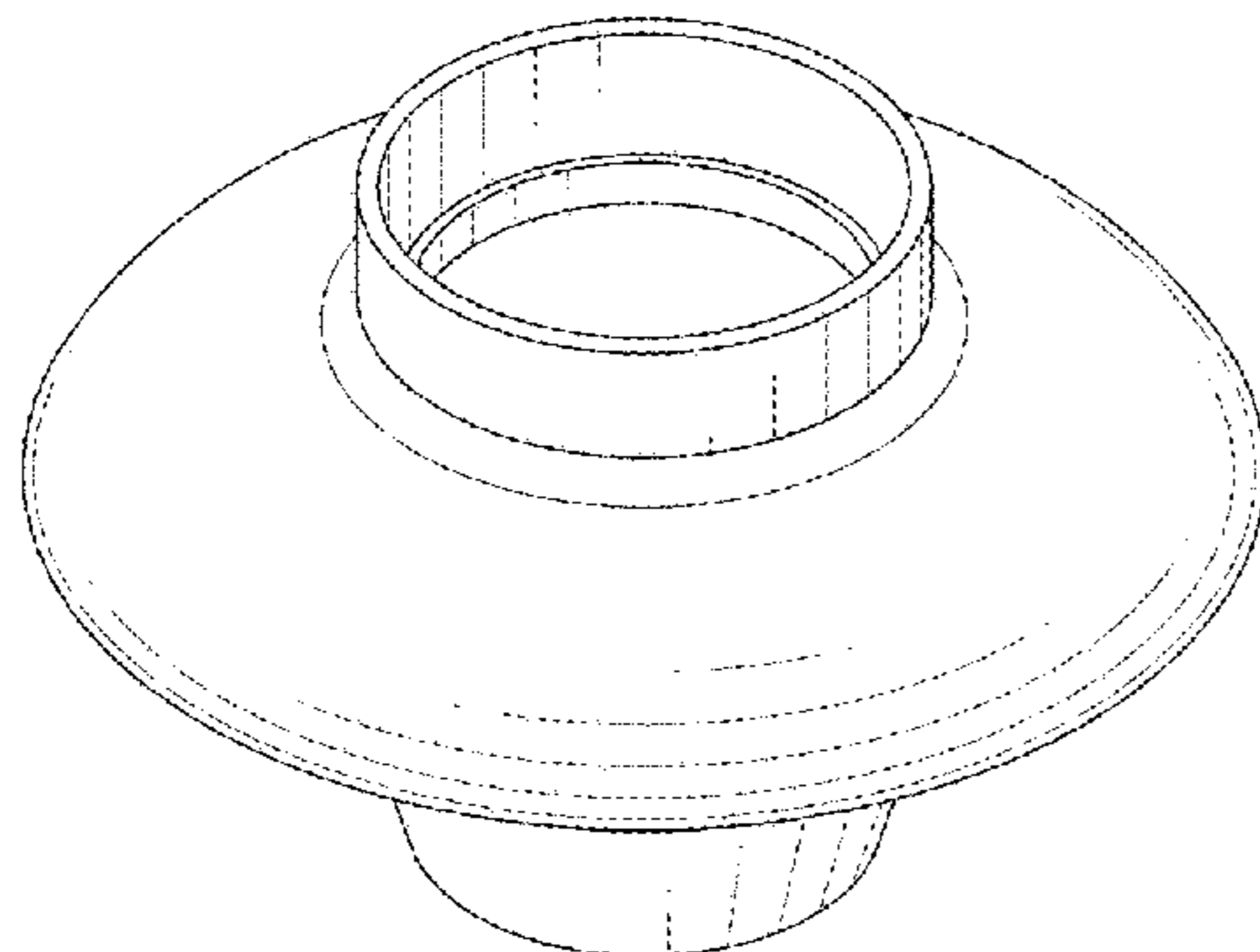
(57) **CLAIM**

The ornamental design for a sucker for a conduit dredge, as shown and described.

DESCRIPTION

FIG. 1 is a perspective view of a sucker for a conduit dredge, showing my new design;
FIG. 2 is a front view thereof;
FIG. 3 is a rear view thereof;
FIG. 4 is a left side view thereof;
FIG. 5 is a right side view thereof;
FIG. 6 is a top view thereof;
FIG. 7 is a bottom view thereof;
FIG. 8 is another perspective view thereof; and,
FIG. 9 is another perspective view showing the sucker for conduit dredge in a position of use; wherein the broken lines shown depict environment only and form no part of the claim.

1 Claim, 9 Drawing Sheets



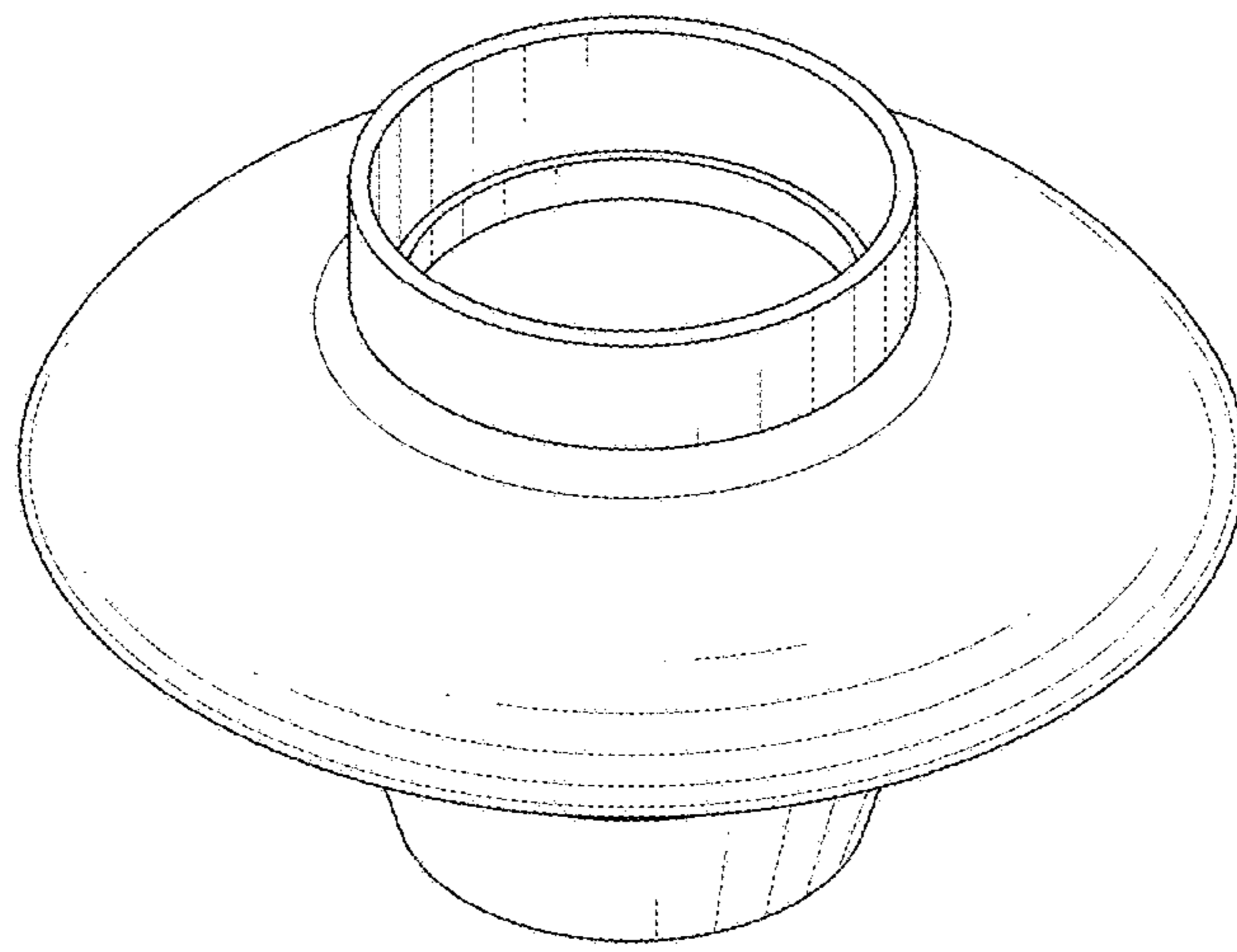


FIG.1

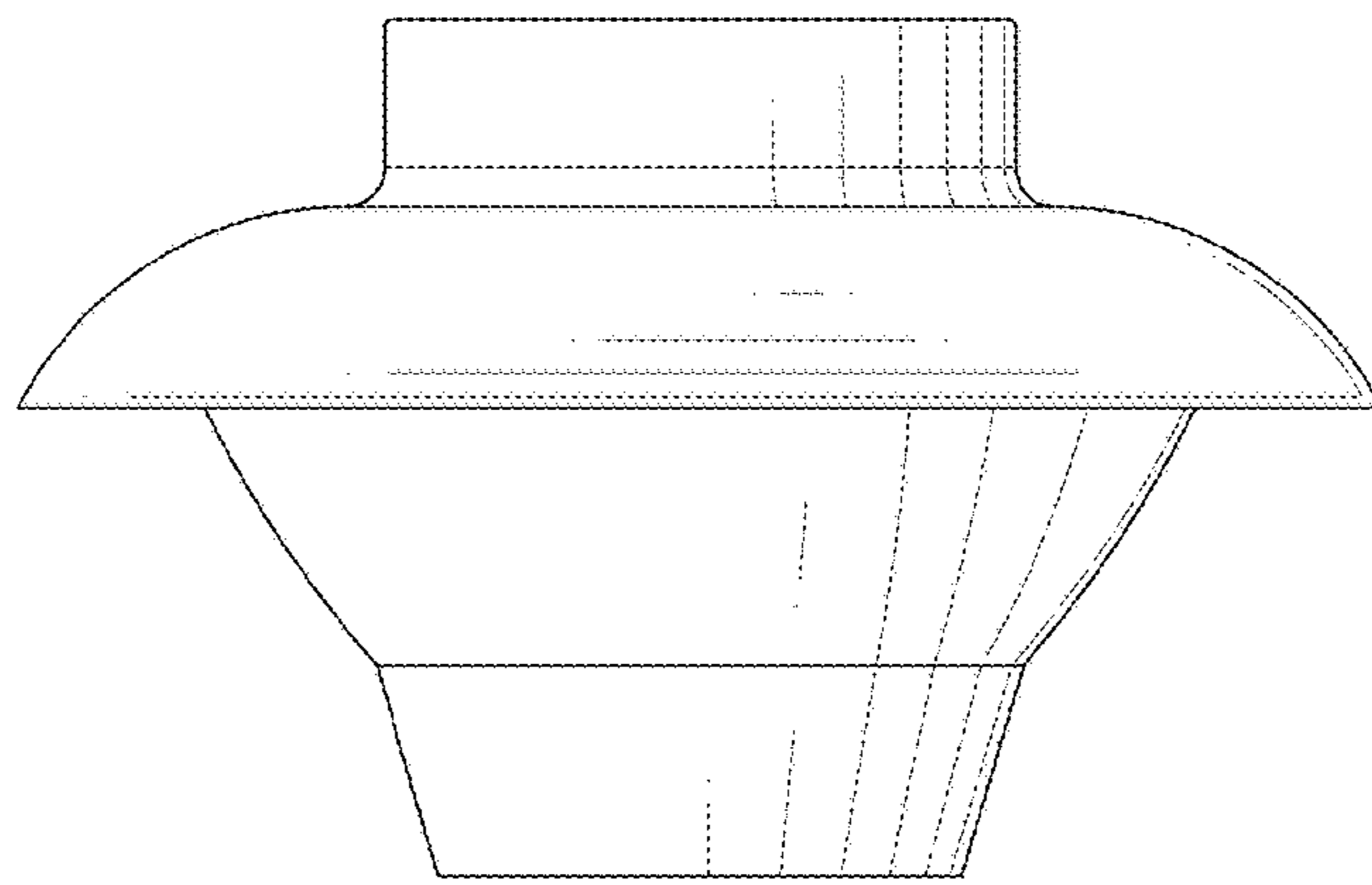


FIG.2

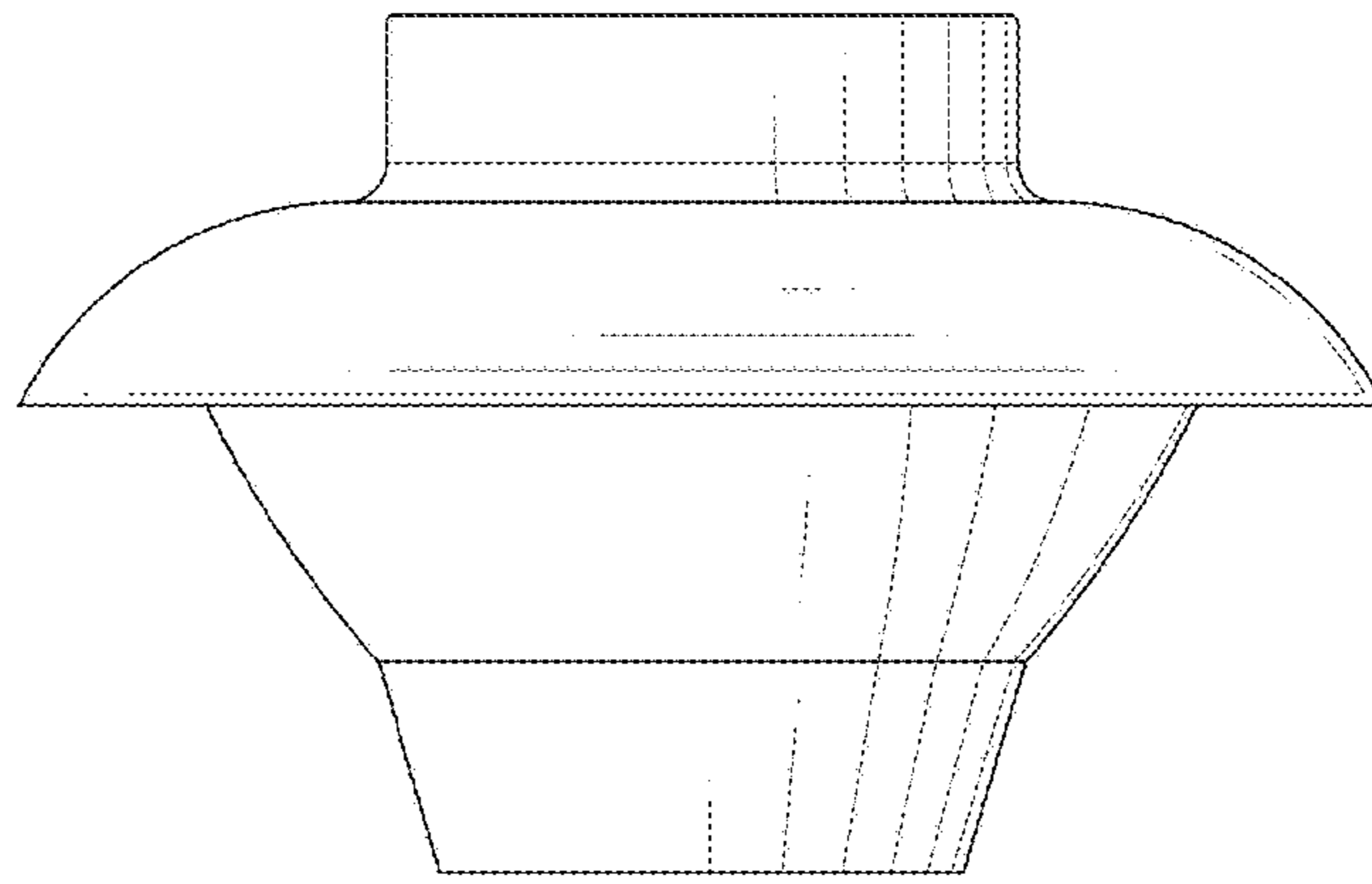


FIG.3

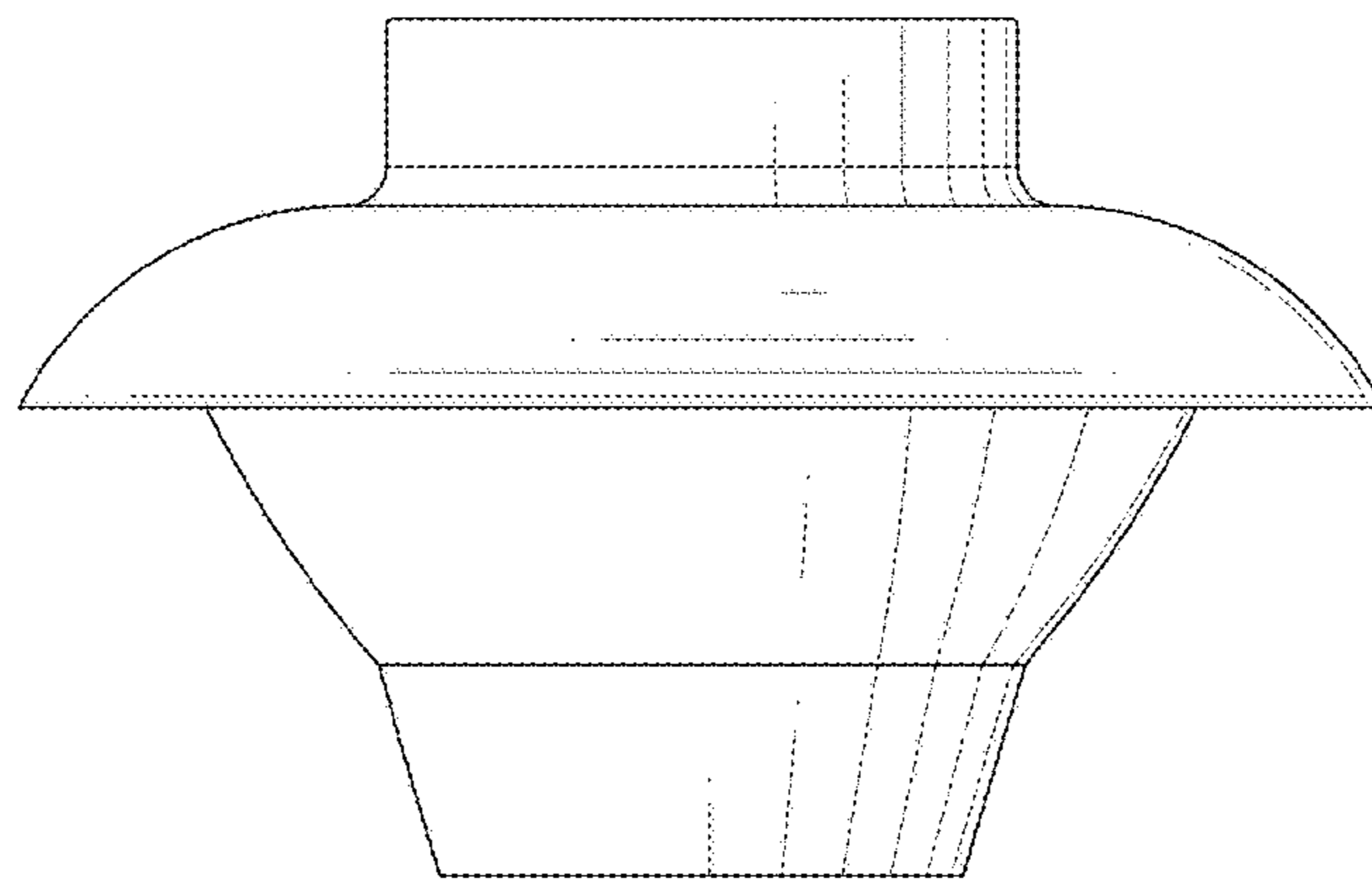


FIG.4

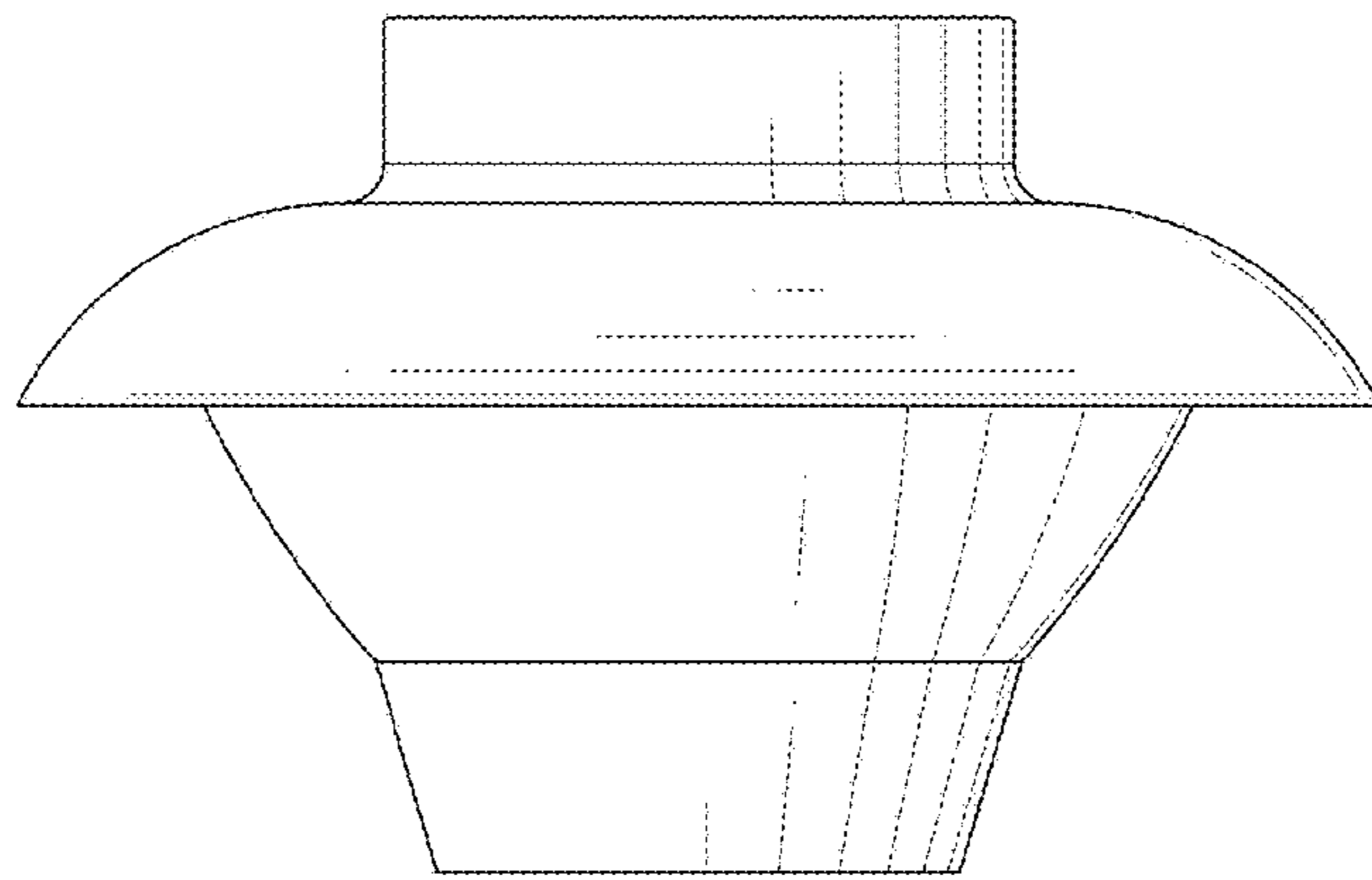


FIG.5

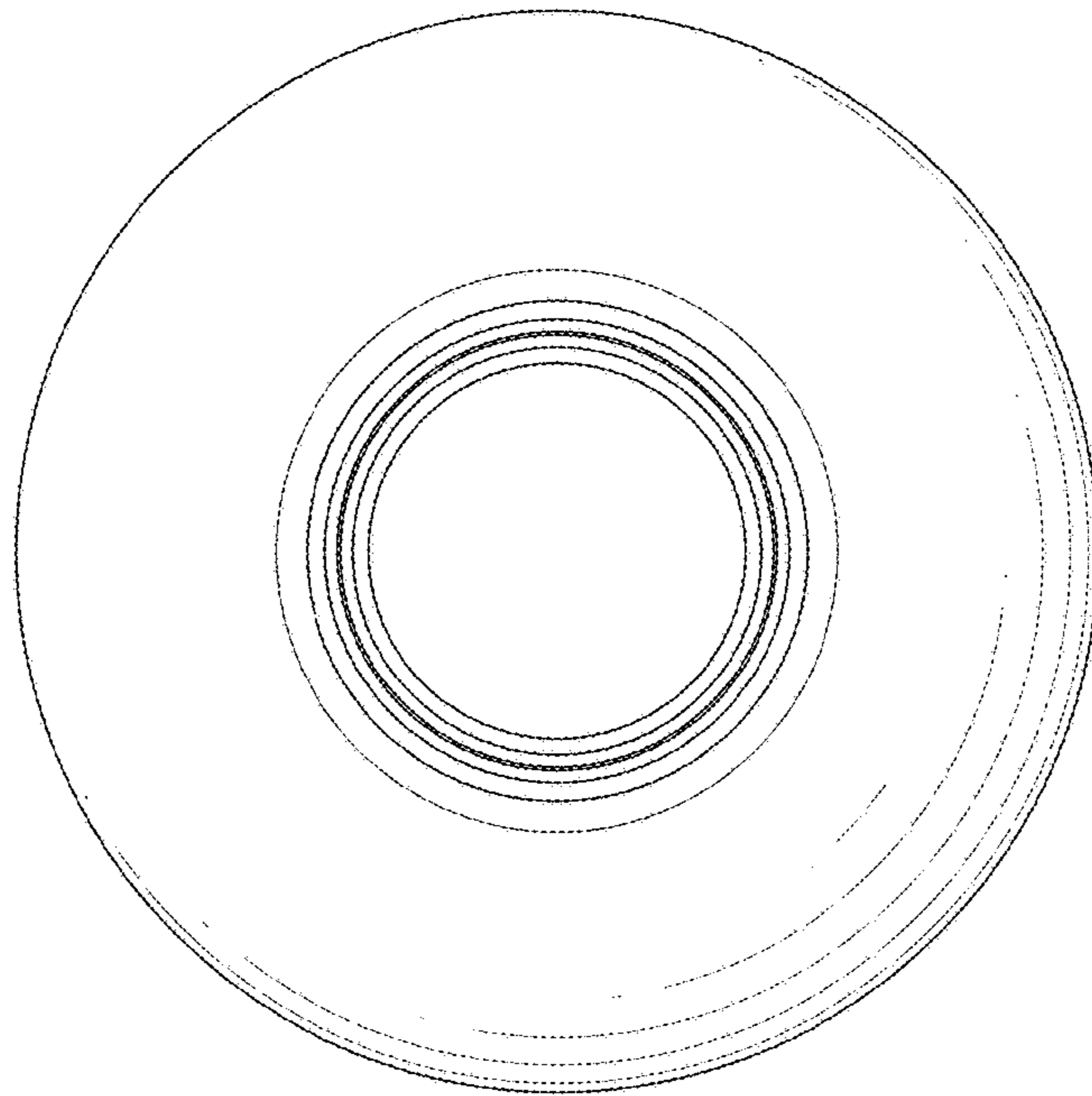


FIG.6

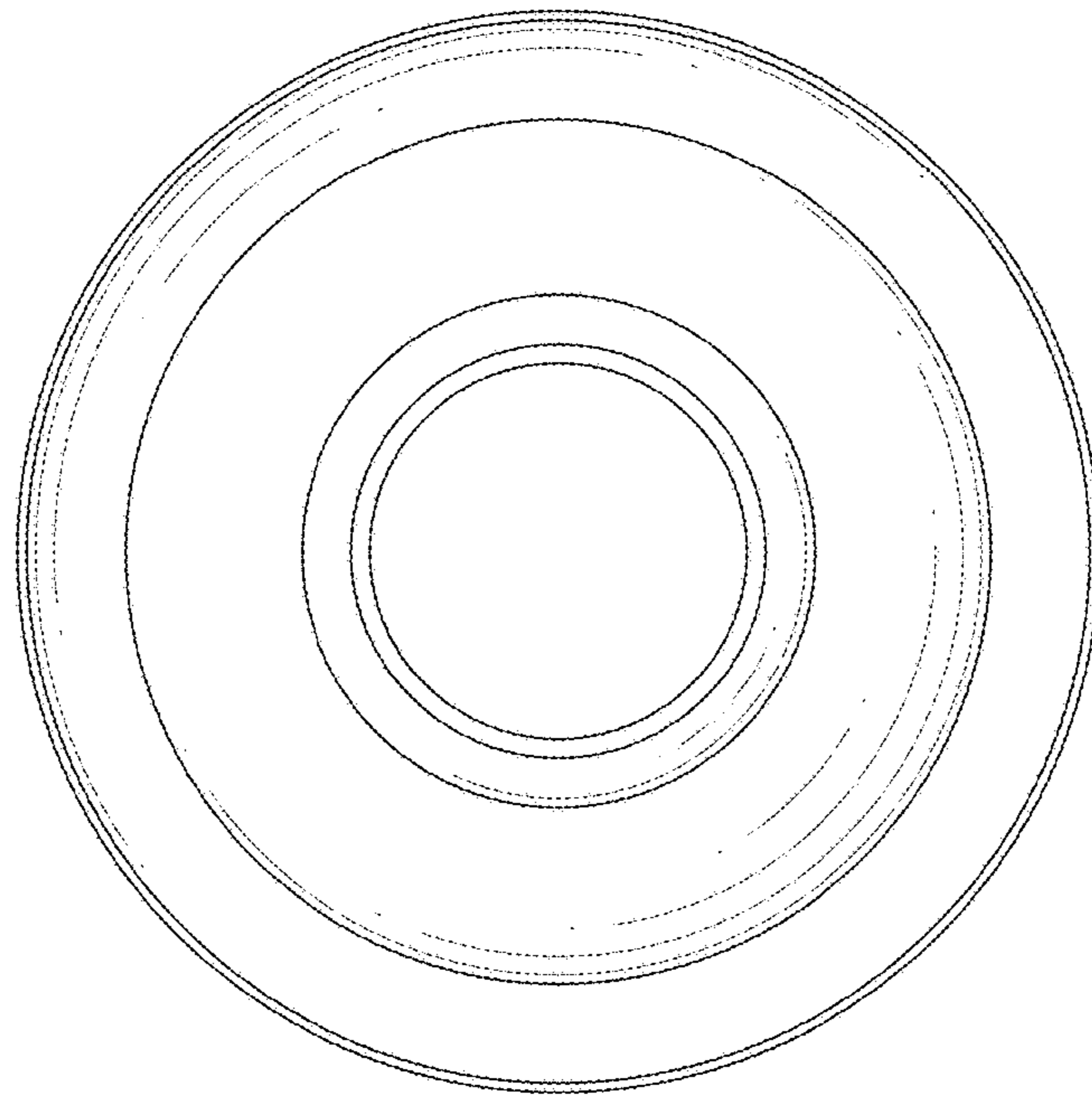


FIG.7

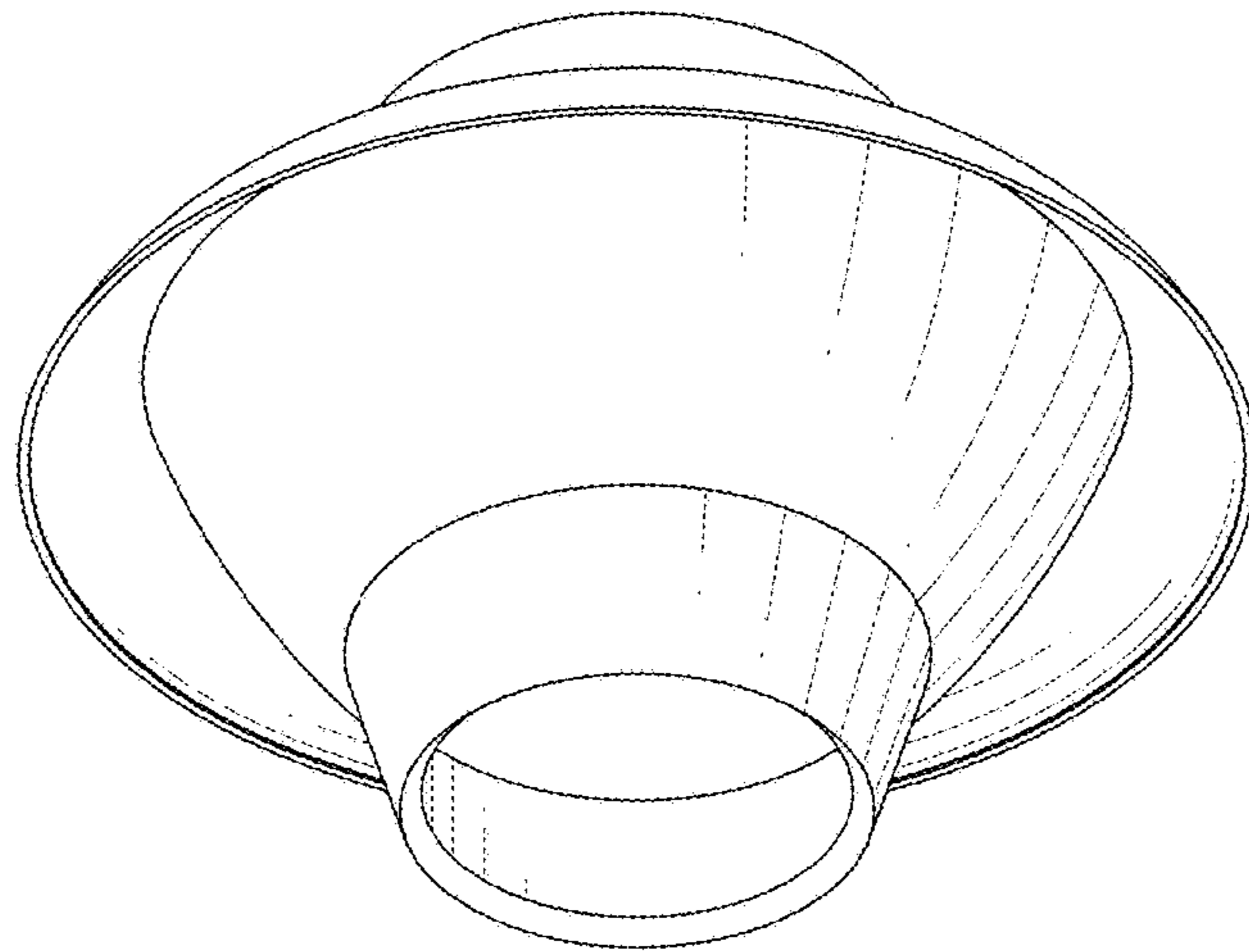


FIG.8

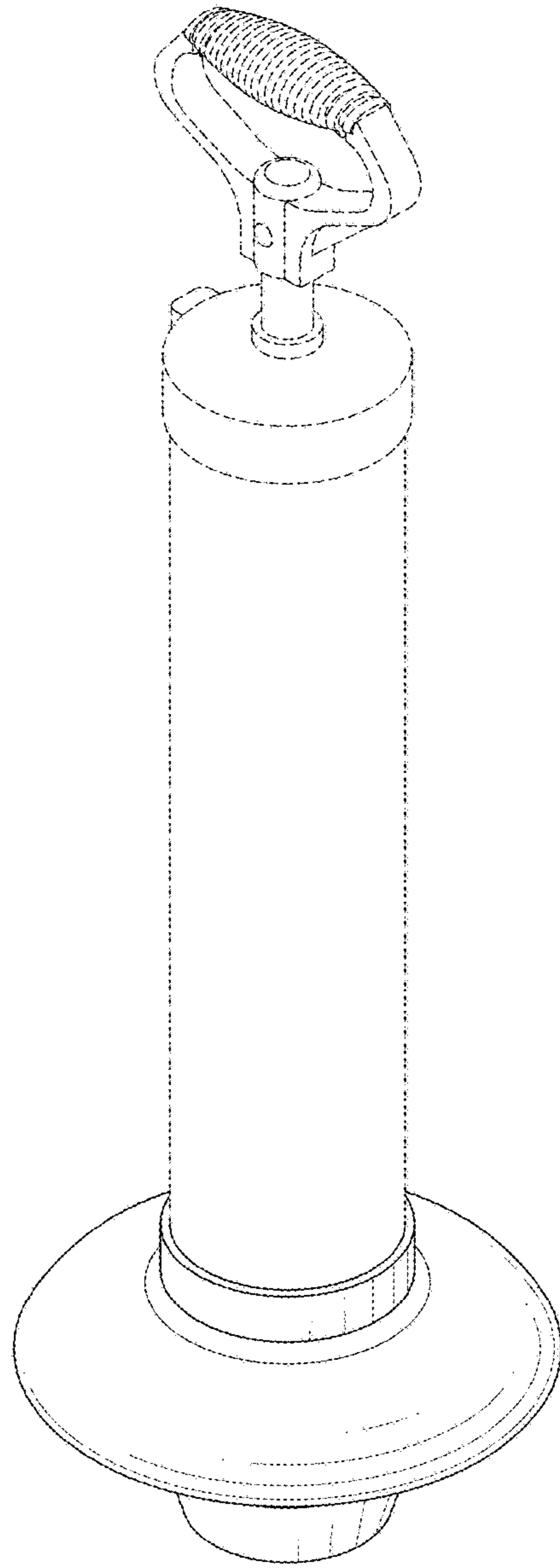


FIG.9