



US00D844909S

(12) **United States Design Patent** (10) **Patent No.:** **US D844,909 S**
Crane (45) **Date of Patent:** **** Apr. 2, 2019**

- (54) **SQUARE PET TOY**
- (71) Applicant: **Sabine S. Crane**, San Clemente, CA (US)
- (72) Inventor: **Sabine S. Crane**, San Clemente, CA (US)
- (73) Assignee: **DELCA CORPORATION**
- (**) Term: **15 Years**
- (21) Appl. No.: **29/592,753**
- (22) Filed: **Feb. 2, 2017**
- (51) **LOC (11) Cl.** **30-99**
- (52) **U.S. Cl.**
USPC **D30/160**
- (58) **Field of Classification Search**
USPC D30/160; D1/120, 127, 128, 129;
D21/408, 437, 441, 455, 470, 673, 678,
D21/679, 682; D24/194, 195, 211, 213
CPC A01K 15/025
See application file for complete search history.

(56) **References Cited**

U.S. PATENT DOCUMENTS

- 1,802,698 A * 4/1931 Blanchard A23G 3/20
426/138
- 4,109,649 A * 8/1978 Iyomasa A61H 15/00
601/121
- 4,378,007 A * 3/1983 Kachadourian A61H 15/00
482/79
- D388,657 S * 1/1998 Bacharowski D30/160
- D411,303 S * 6/1999 Scagliotti D24/194
- D495,465 S * 9/2004 Tepper D1/127
- D532,113 S * 11/2006 Huang D24/214
- D539,430 S * 3/2007 Lowsky, Jr. D24/193
- D540,496 S * 4/2007 Axelrod D30/160
- D586,511 S * 2/2009 Willinger D30/160

- D717,016 S * 11/2014 Osenga D1/199
- D739,616 S * 9/2015 Elliott D30/160
- 2015/0040837 A1* 2/2015 Axelrod A01K 15/026
119/709

OTHER PUBLICATIONS

- “Kong Dotz”. Found online Mar. 15, 2018 at youtube.com. Page dated Aug. 1, 2016. Retrieved from <https://www.youtube.com/watch?v=oHijgs7cmxU>.*
- “West Paw Zogofex Tux Interactive Treat Dispensing Dog Chew Toy for Aggressive Chewers”. Found online Feb. 28, 2018 at amazon.ca. Page dated Oct. 24, 2012. Retrieved from https://www.amazon.ca/West-Paw-Interactive-Dispensing-Aggressive/dp/B004A7X25O/ref=sr_1_2?ie=UTF8&qid=1519840670&sr=8-2&keywords=zogoflex.*
- “Chewy Tubes Knobby Super Chew”. Found online Nov. 17, 2016 at amazon.com. Page dated Jan. 6, 2011. Retrieved from https://www.amazon.com/Chewy-Tubes-Knobby-Super-Chew/dp/B002WZ2RE8/ref=cm_cr_ar_p_d_product_top?ie=UTF8&th=1.*
- “Water Filled Teether—Grape”. Found online at euheiten.koelnmesse.net. Page dated circa 2012. Retrieved from http://neuheiten.koelnmesse.net/100/2012/de/products/view/product_id:8406.*

* cited by examiner

Primary Examiner — George D. Kirschbaum
Assistant Examiner — Kendra Leslie Hamilton
(74) *Attorney, Agent, or Firm* — Andrew S. Dallmann, P.C.; Eastman McCartney Dallmann LLP

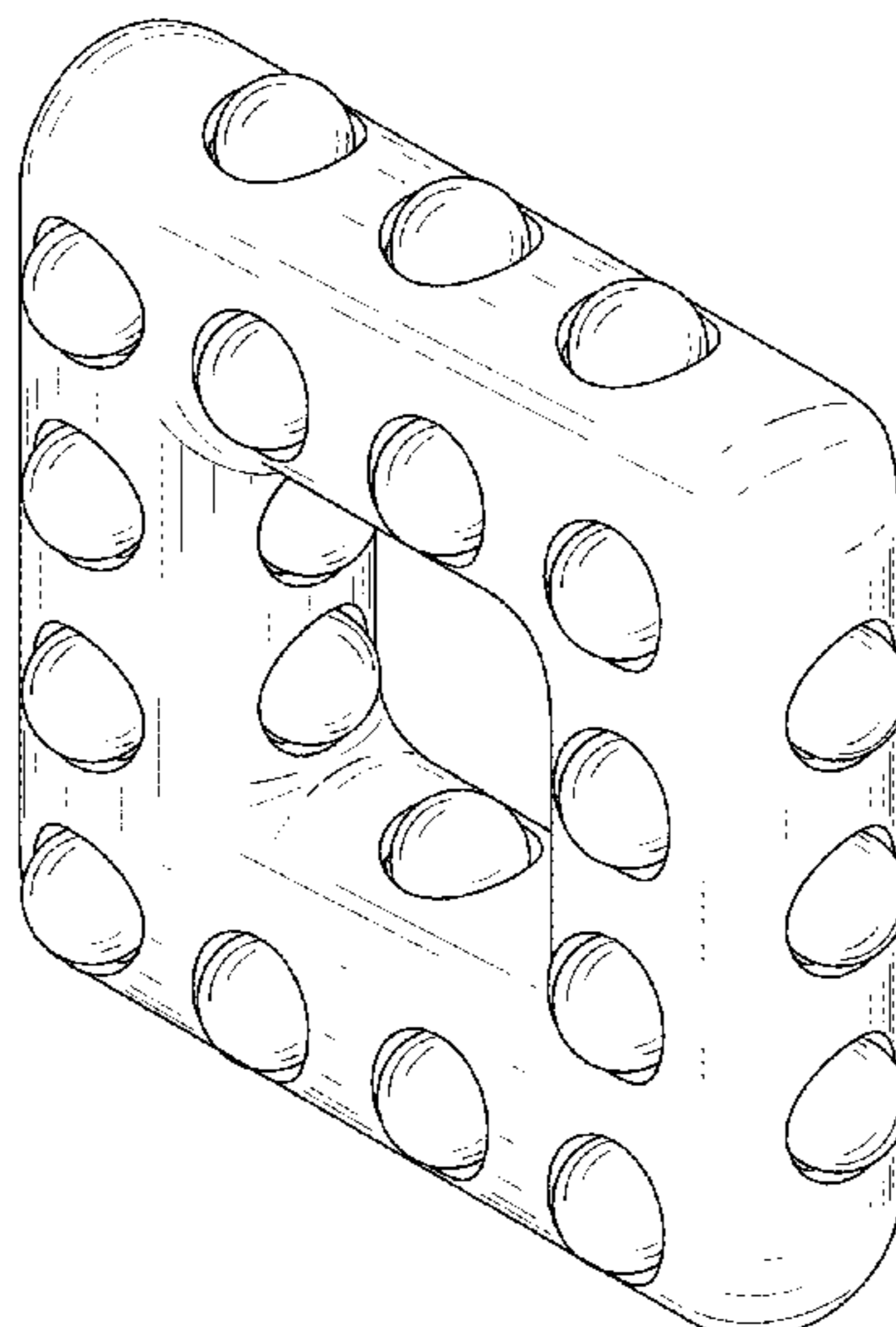
(57) **CLAIM**

The ornamental design for a square pet toy, as shown and described.

DESCRIPTION

FIG. 1 is a front perspective view of a square pet toy, showing my new design;
FIG. 2 is a front elevational view thereof;
FIG. 3 is a side elevational view thereof; and,
FIG. 4 is a top plan view thereof.

1 Claim, 4 Drawing Sheets



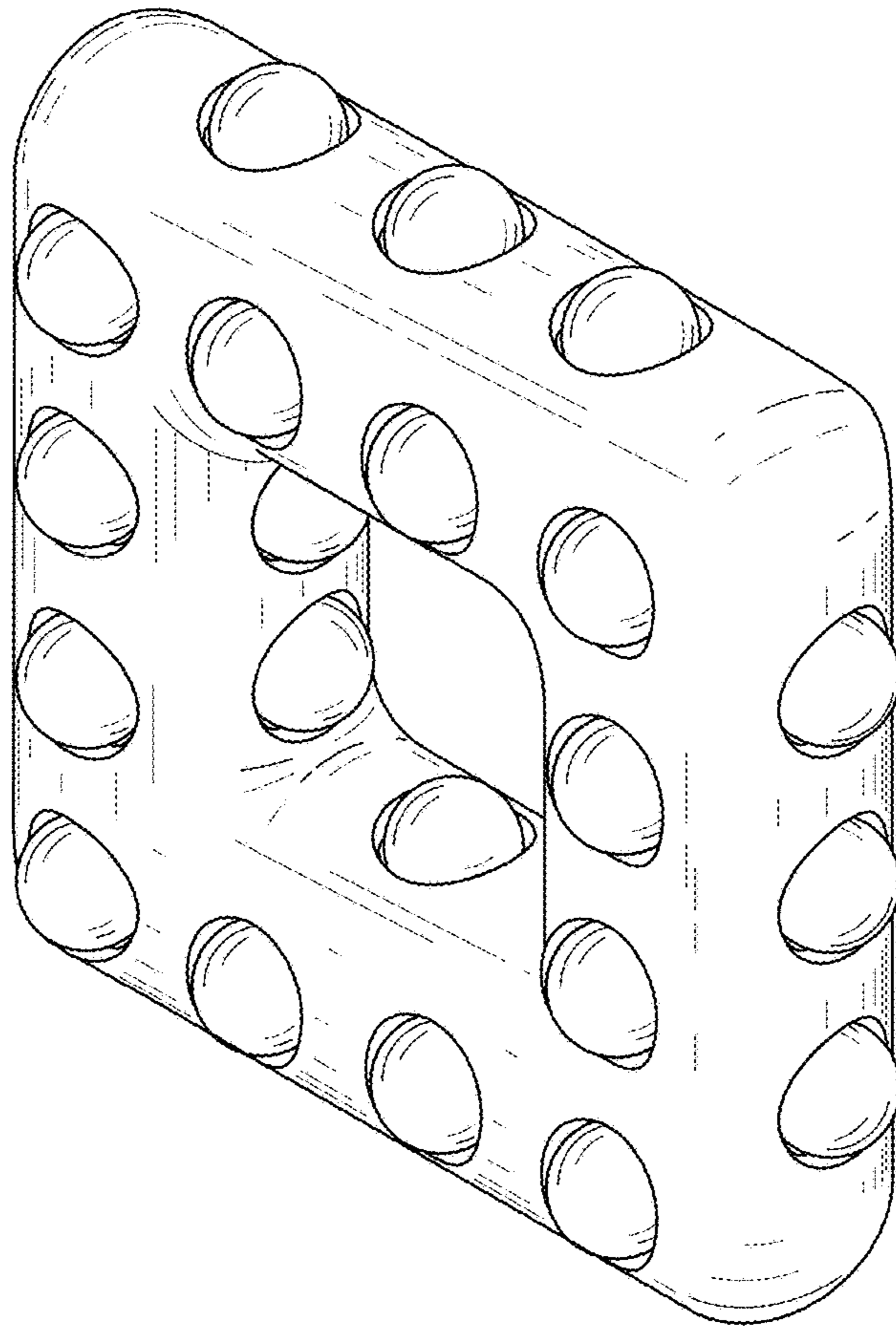


FIG. 1

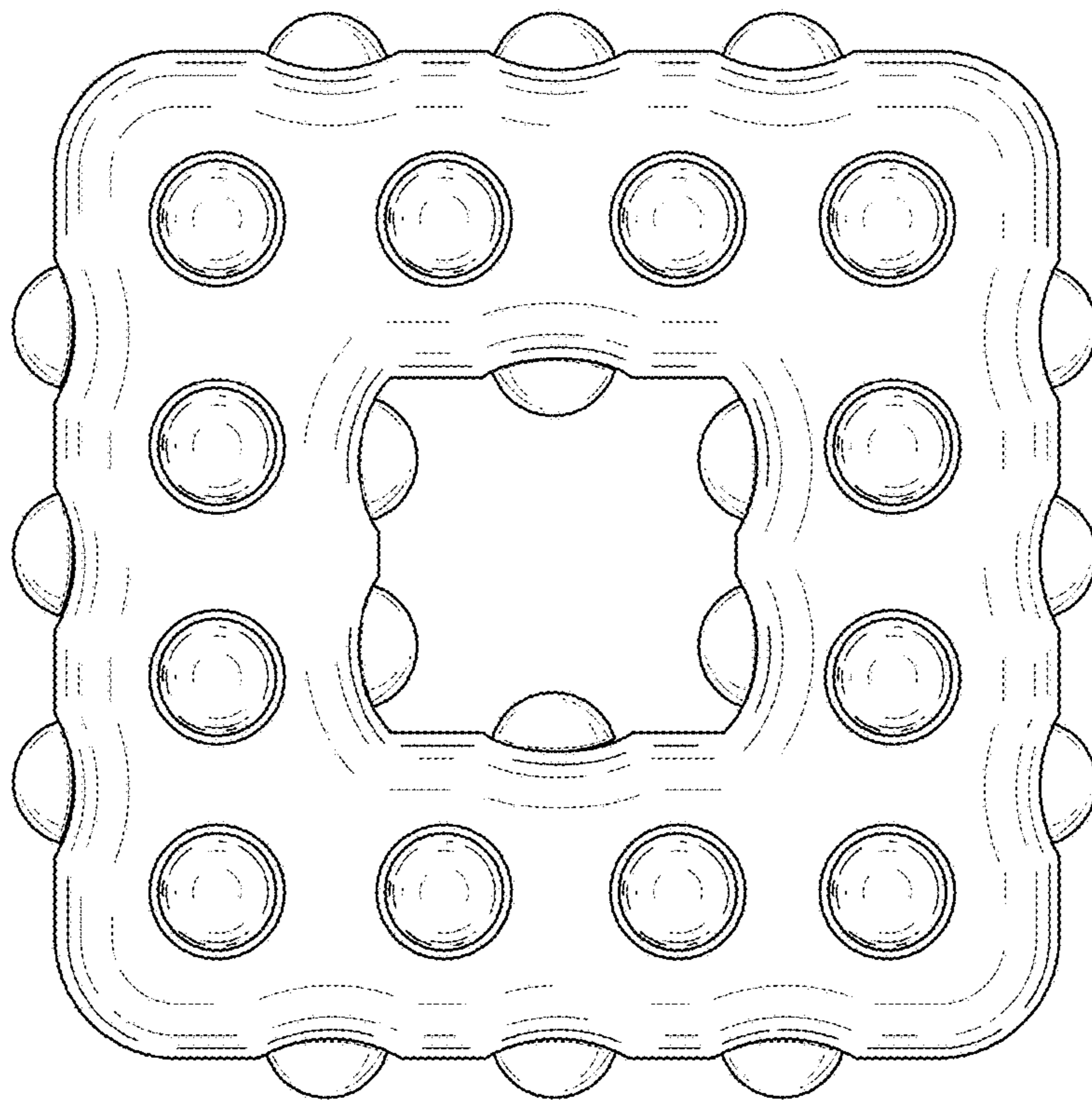


FIG. 2

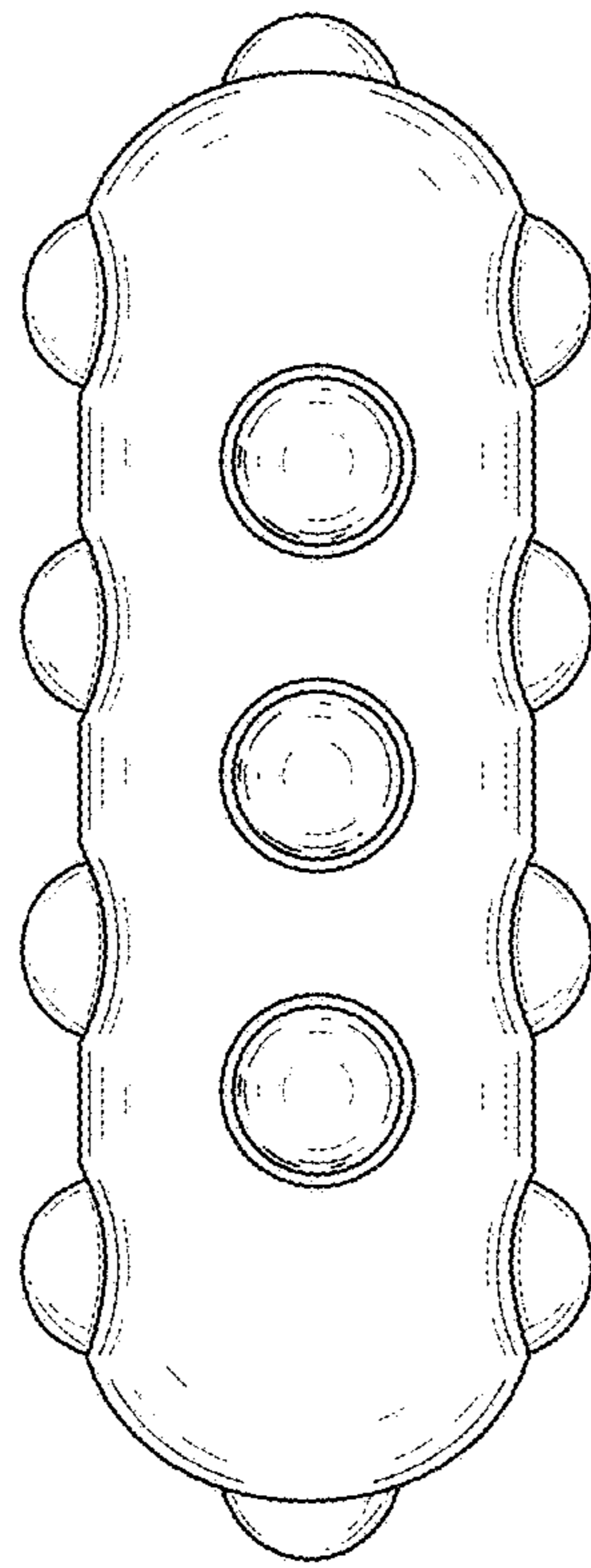


FIG. 3

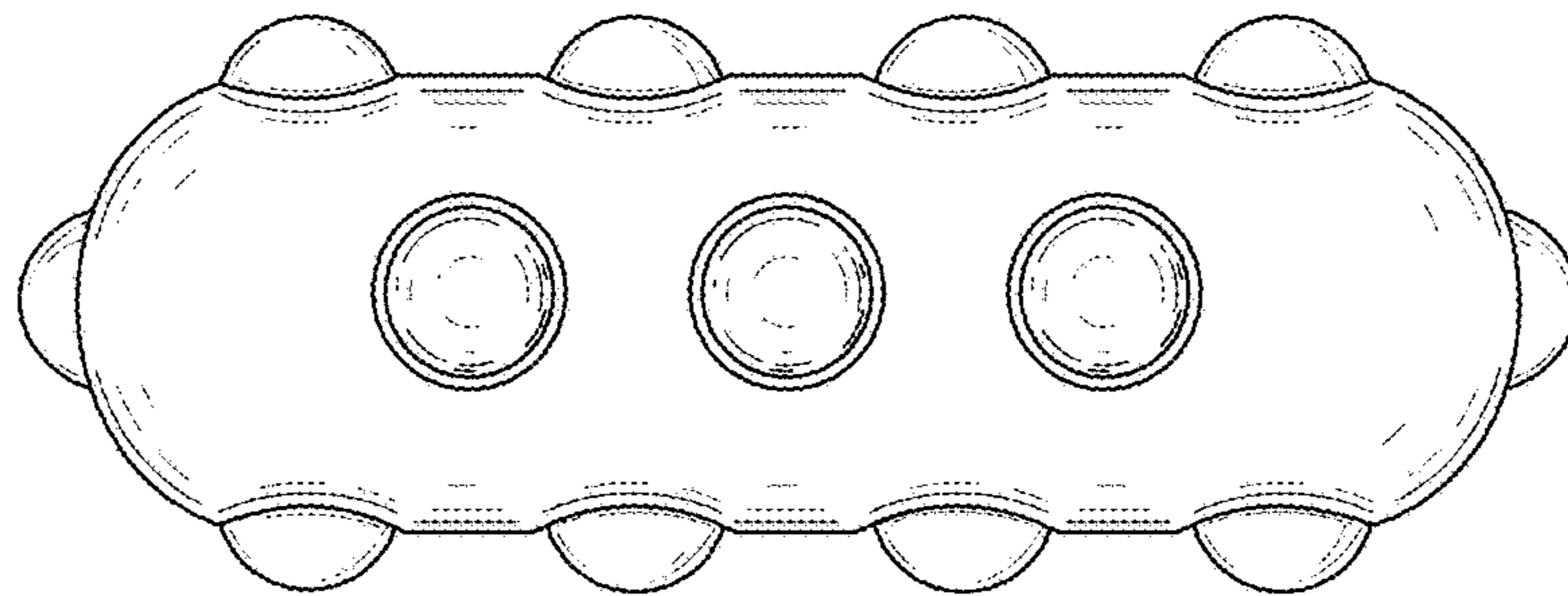


FIG. 4