



US00D844908S

(12) **United States Design Patent** (10) **Patent No.:** **US D844,908 S**
Pinto et al. (45) **Date of Patent:** **** Apr. 2, 2019**

(54) **PET TOY**

(71) Applicant: **Doskocil Manufacturing Company, Inc.**, Arlington, TX (US)

(72) Inventors: **Sunil Pinto**, Arlington, TX (US); **Ryan Wills**, Carrollton, TX (US); **Norman Anderson**, Brooklyn, NY (US)

(73) Assignee: **LITTLE BIG CAT, INC.**, Beverly Hills, CA (US)

(**) Term: **15 Years**

(21) Appl. No.: **29/557,295**

(22) Filed: **Mar. 8, 2016**

(51) **LOC (11) Cl.** **30-99**

(52) **U.S. Cl.**
USPC **D30/160; D21/656**

(58) **Field of Classification Search**
USPC **D30/160; D21/656, 707**
CPC .. **A01K 15/025; A01K 15/026; A01K 15/027;**
A61H 15/00; A61H 15/0085
See application file for complete search history.

(56) **References Cited**

U.S. PATENT DOCUMENTS

| | | | | |
|--------------|---------|----------|-------|---------|
| D279,809 S * | 7/1985 | Edmisson | | D21/592 |
| D298,844 S * | 12/1988 | Hood | | D21/656 |
| D650,538 S * | 12/2011 | Anderson | | D30/160 |
| D655,058 S * | 2/2012 | Blair | | D30/160 |
| D724,280 S * | 3/2015 | Diskin | | D30/160 |
| D724,796 S * | 3/2015 | Diskin | | D30/160 |
| D765,799 S * | 9/2016 | Lui | | D30/160 |

* cited by examiner

Primary Examiner — Cathy Anne MacCormac

(74) *Attorney, Agent, or Firm* — Global IP Counselors, LLP

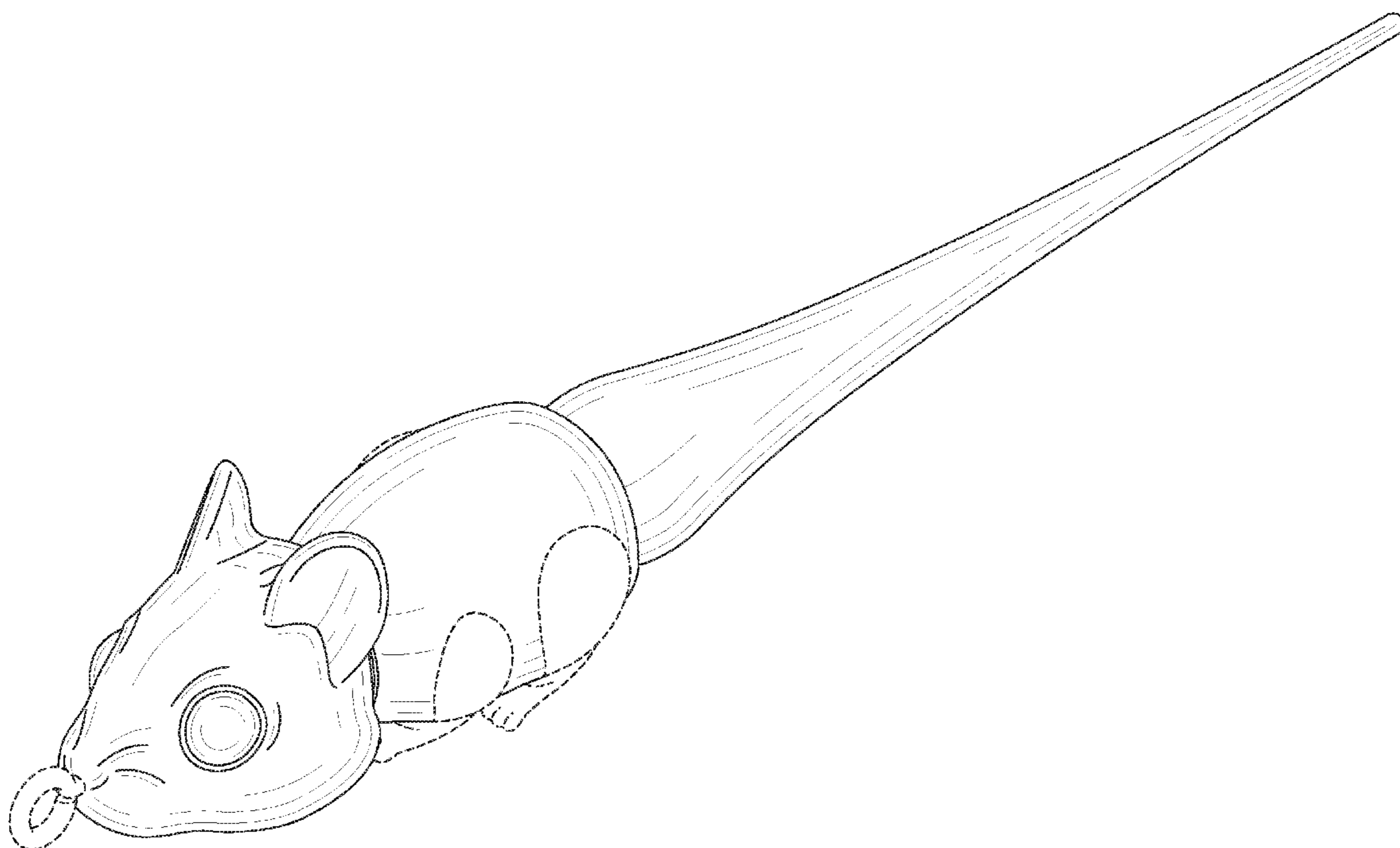
(57) **CLAIM**

The ornamental design for a pet toy, as shown and described.

DESCRIPTION

FIG. 1 is a top perspective view of a pet toy in accordance with our new design;
 FIG. 2 is an enlarged front view thereof;
 FIG. 3 is an enlarged back view thereof;
 FIG. 4 is a right side view thereof;
 FIG. 5 is a left side view thereof;
 FIG. 6 is a top view thereof;
 FIG. 7 is a bottom view thereof.
 FIG. 8 is a top, front perspective view of the front portion of the pet toy;
 FIG. 9 is a bottom, rear perspective view of the front portion of FIG. 8;
 FIG. 10 is a top, front perspective view of the middle portion of the pet toy;
 FIG. 11 is a bottom, rear perspective view of the middle portion of FIG. 10;
 FIG. 12 is a top, front perspective view of the back portion of the pet toy; and,
 FIG. 13 is a bottom, rear perspective view of the back portion of FIG. 12.
 The broken lines depict environmental subject matter, are for illustration only, and form no part of the claimed design.

1 Claim, 6 Drawing Sheets



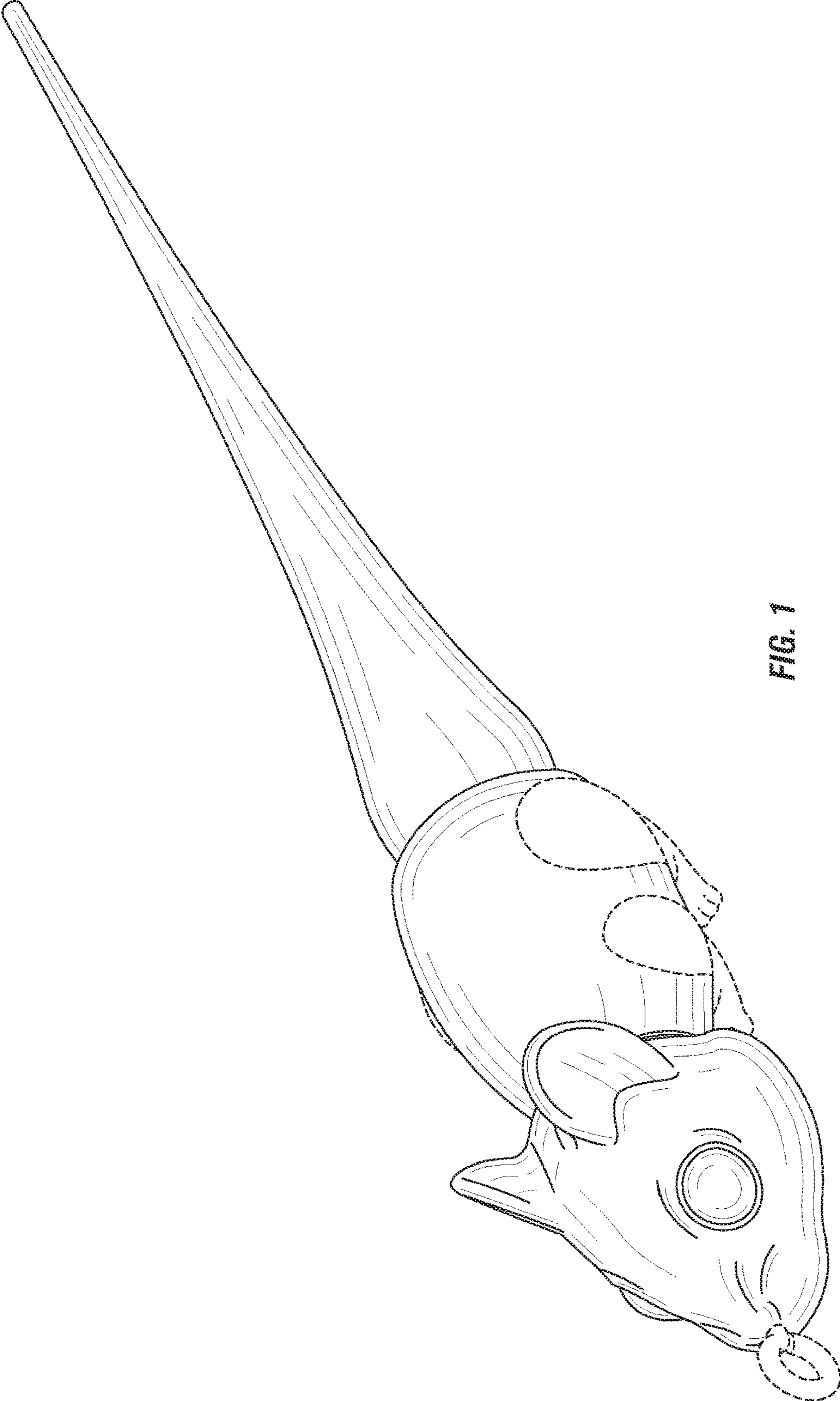


FIG. 1

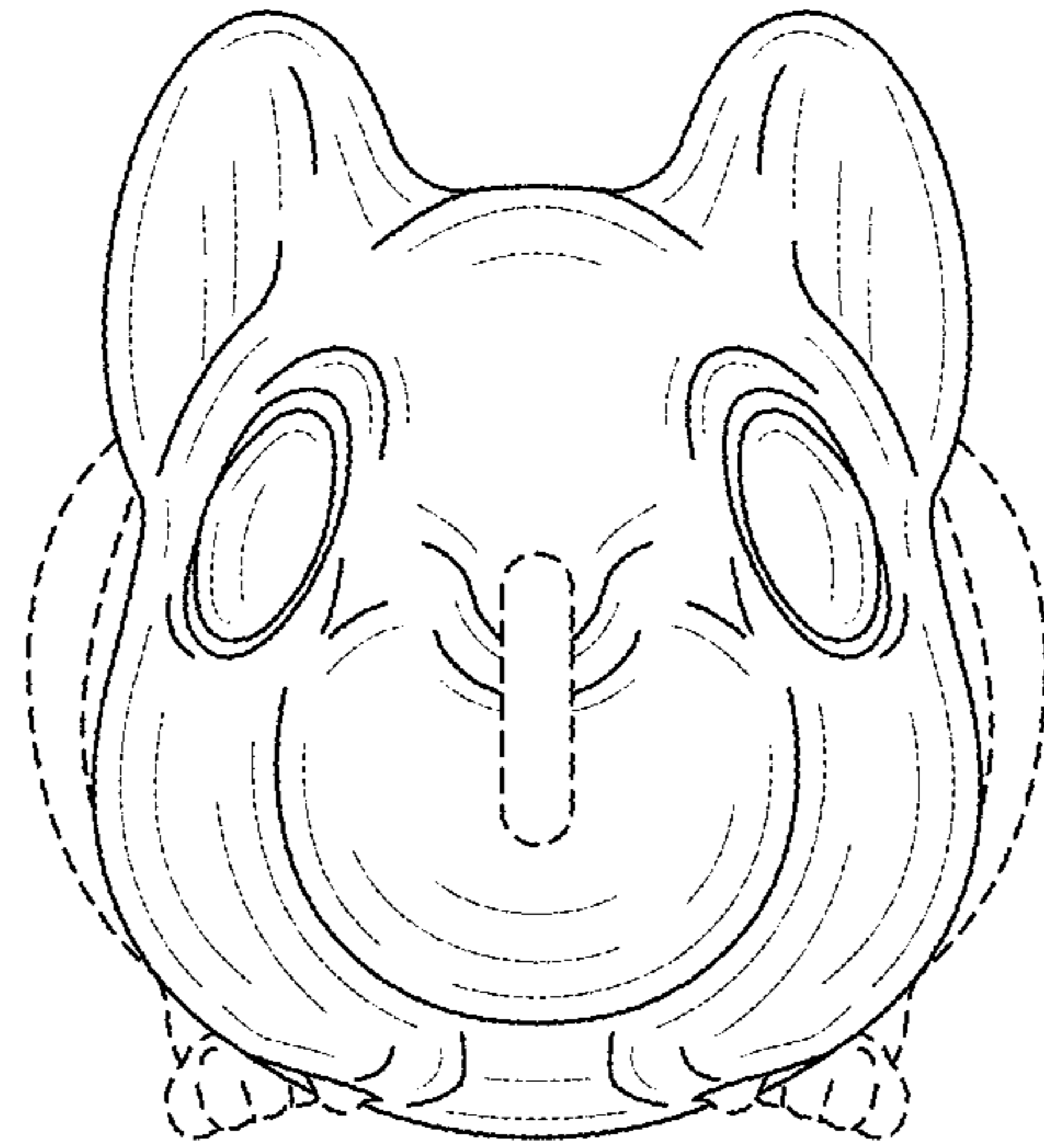


FIG. 2

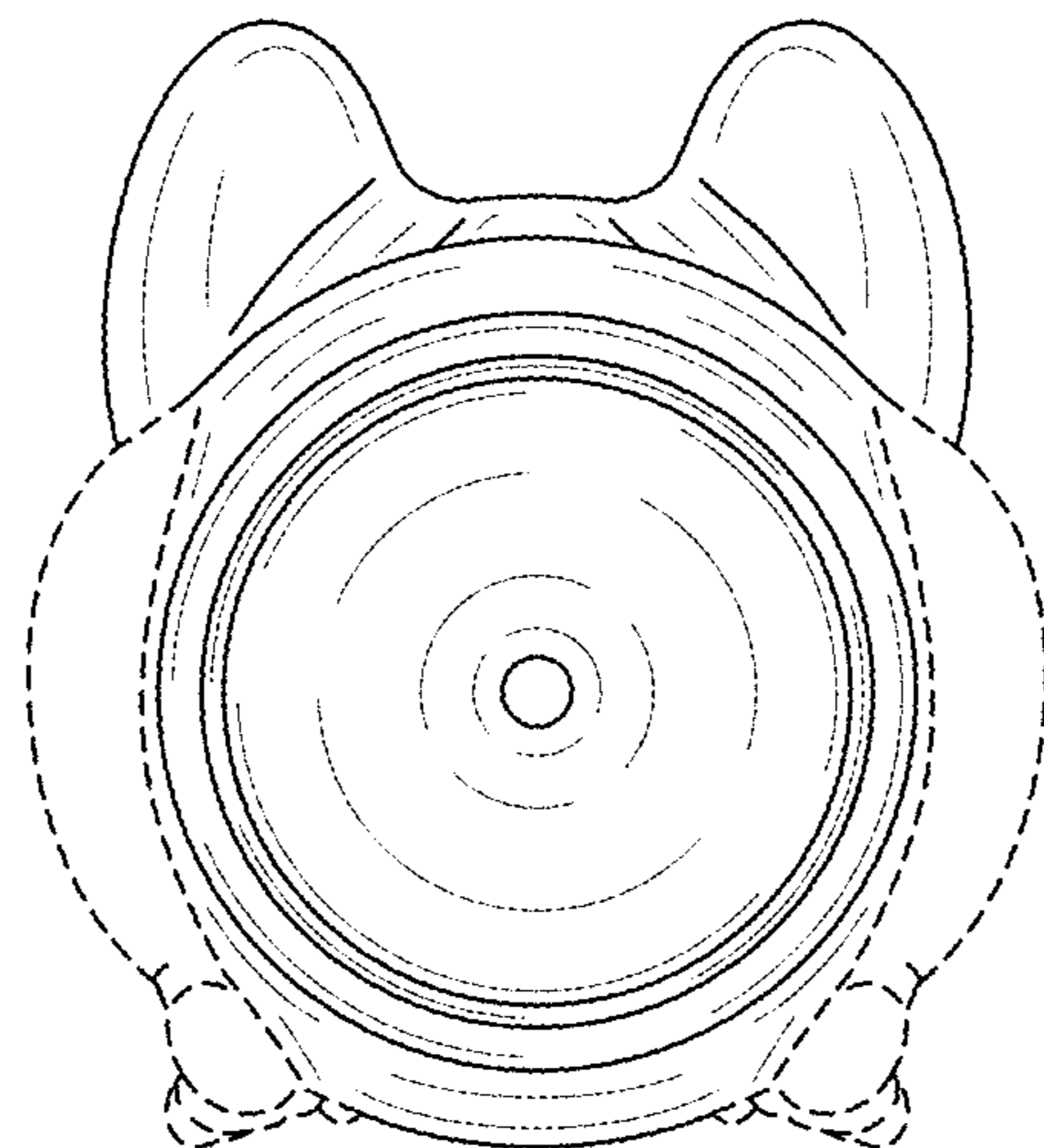


FIG. 3

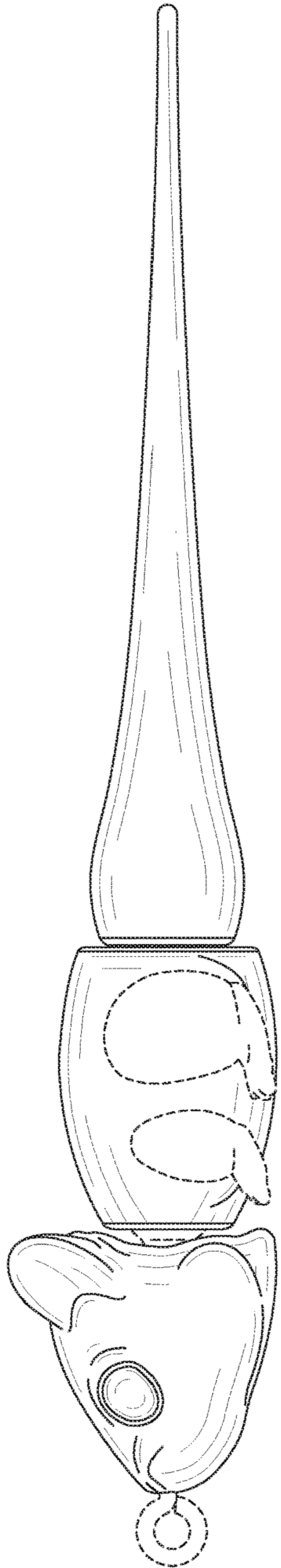


FIG. 4

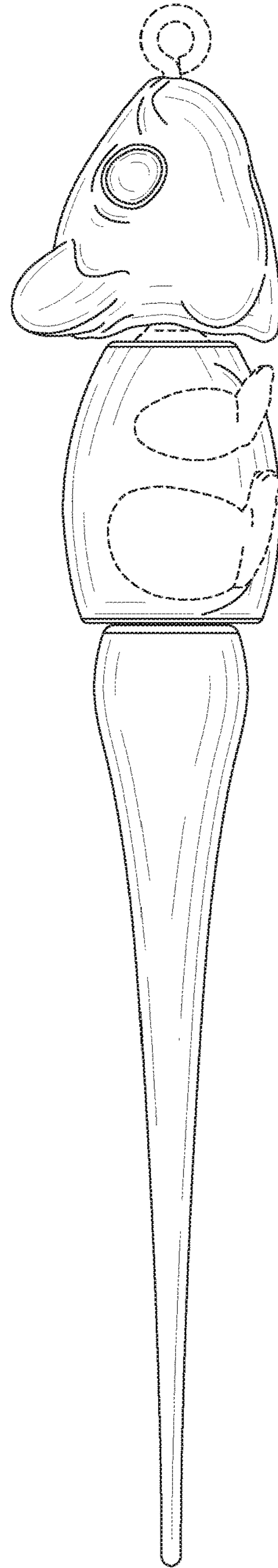


FIG. 5

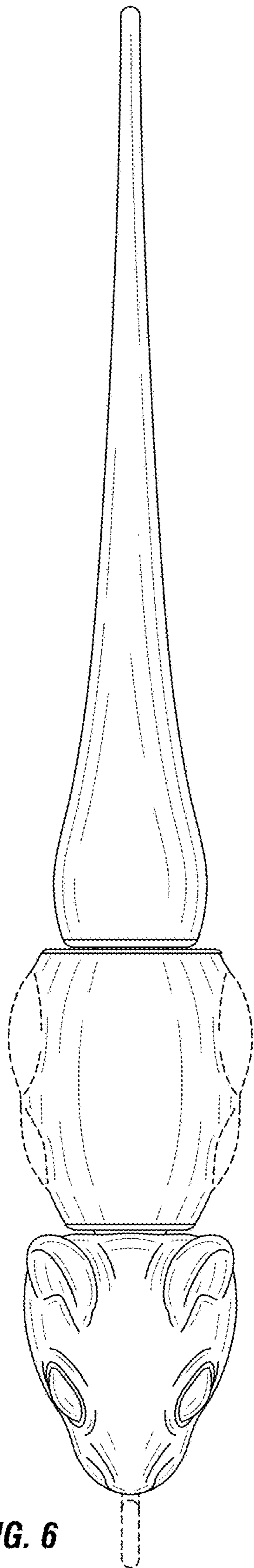


FIG. 6

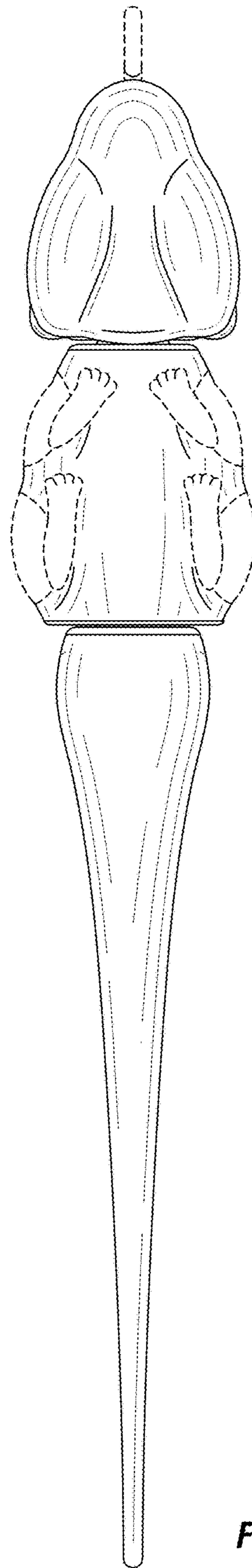


FIG. 7



FIG. 8

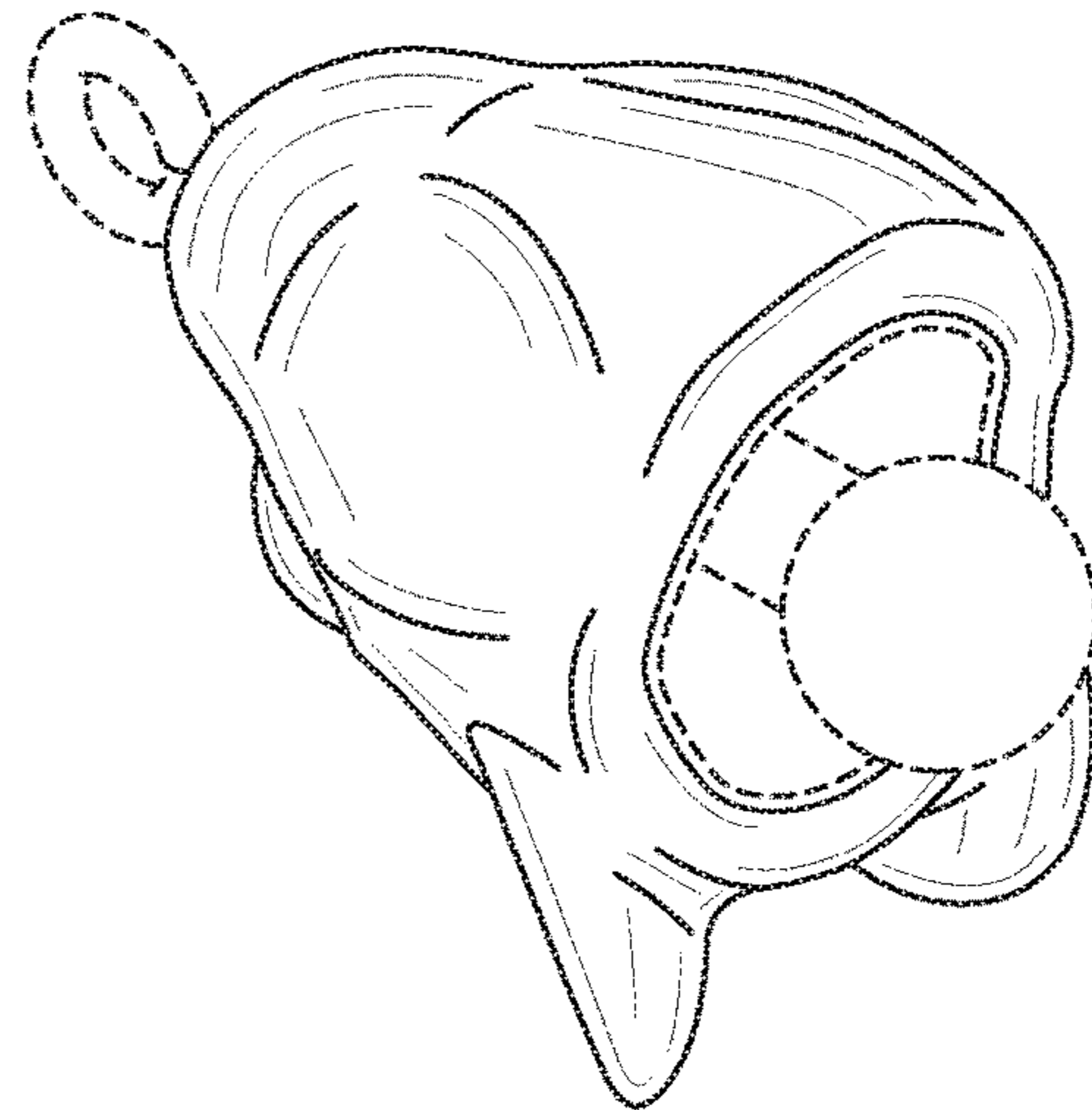


FIG. 9

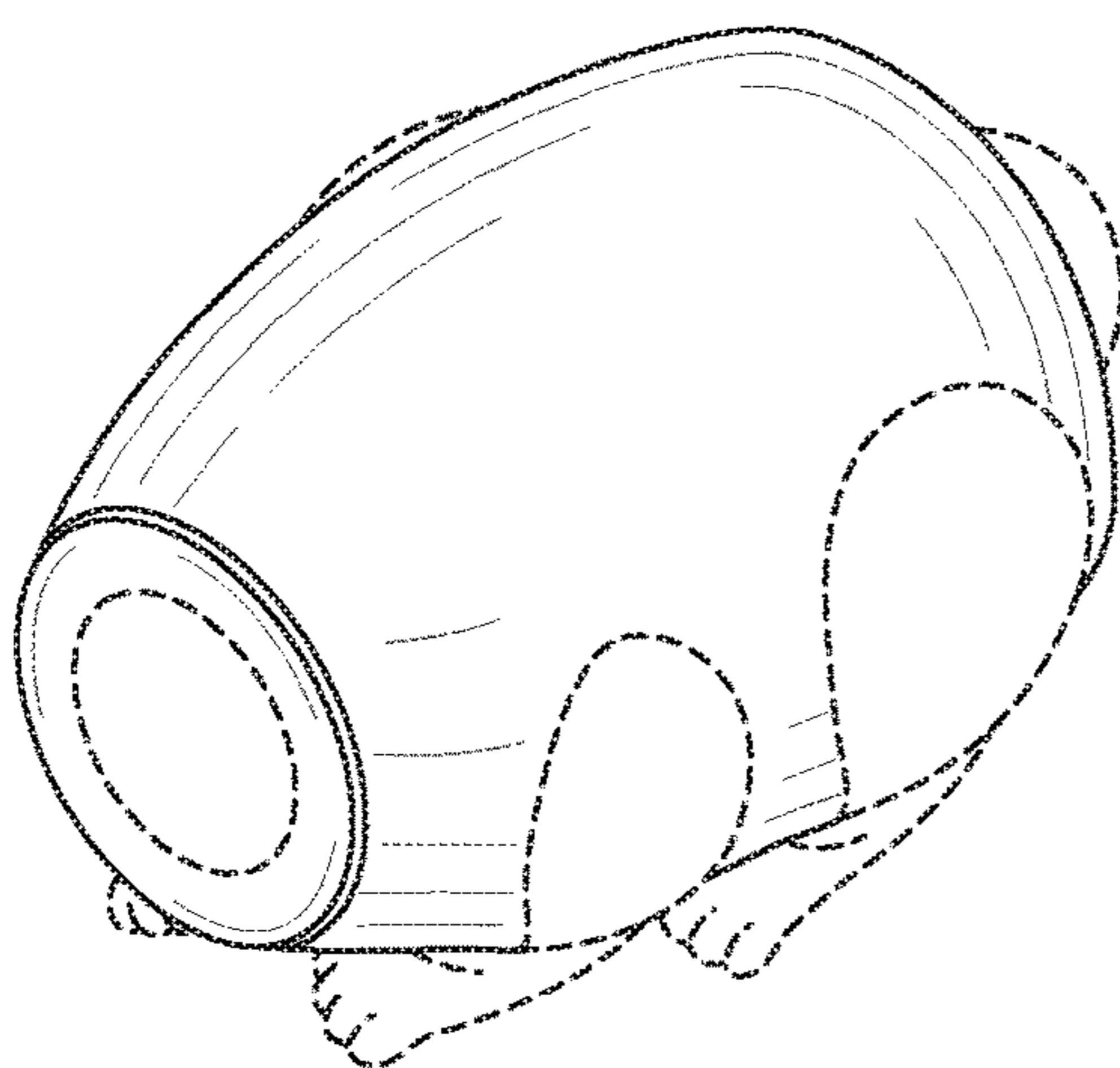


FIG. 10

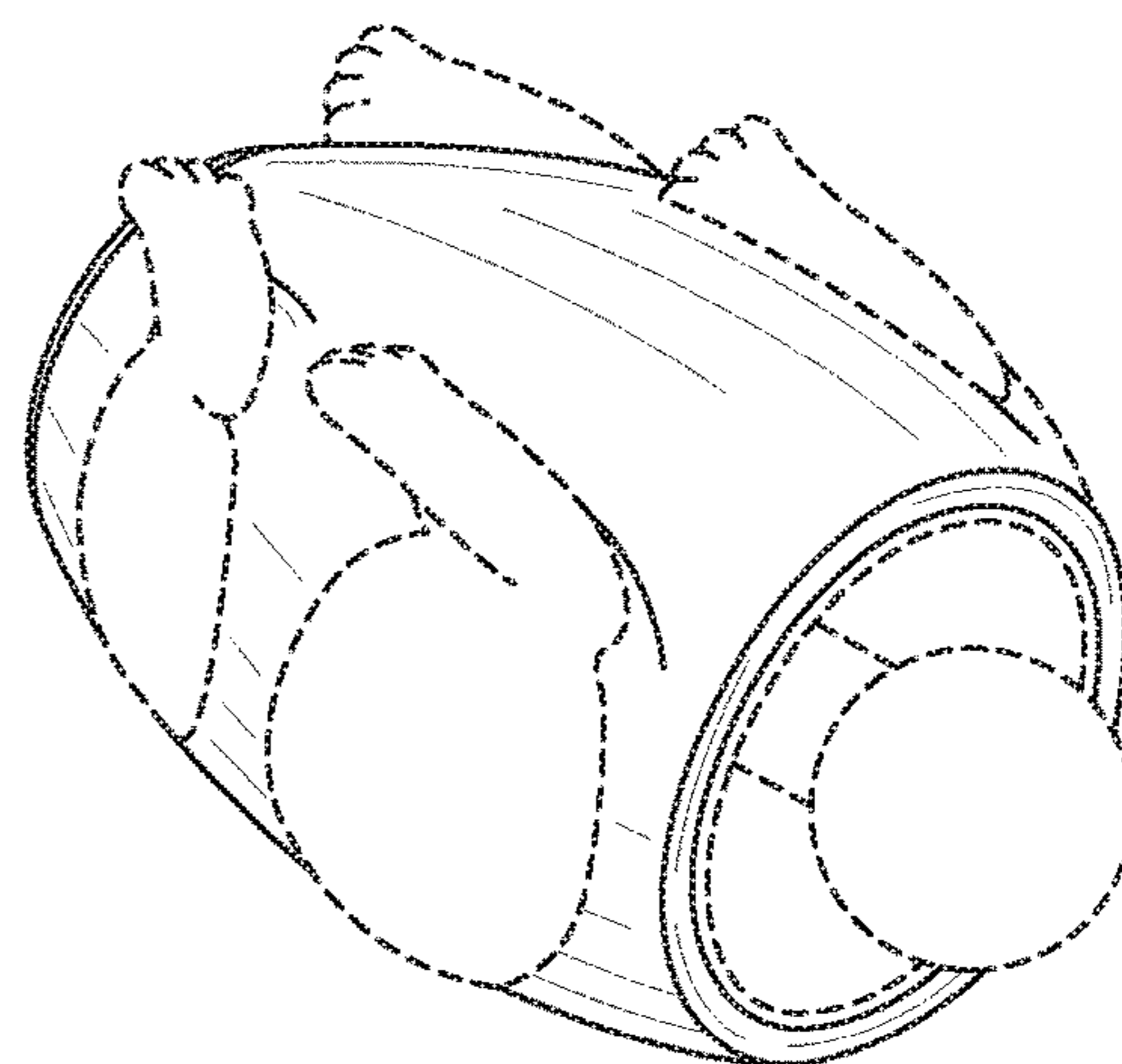


FIG. 11

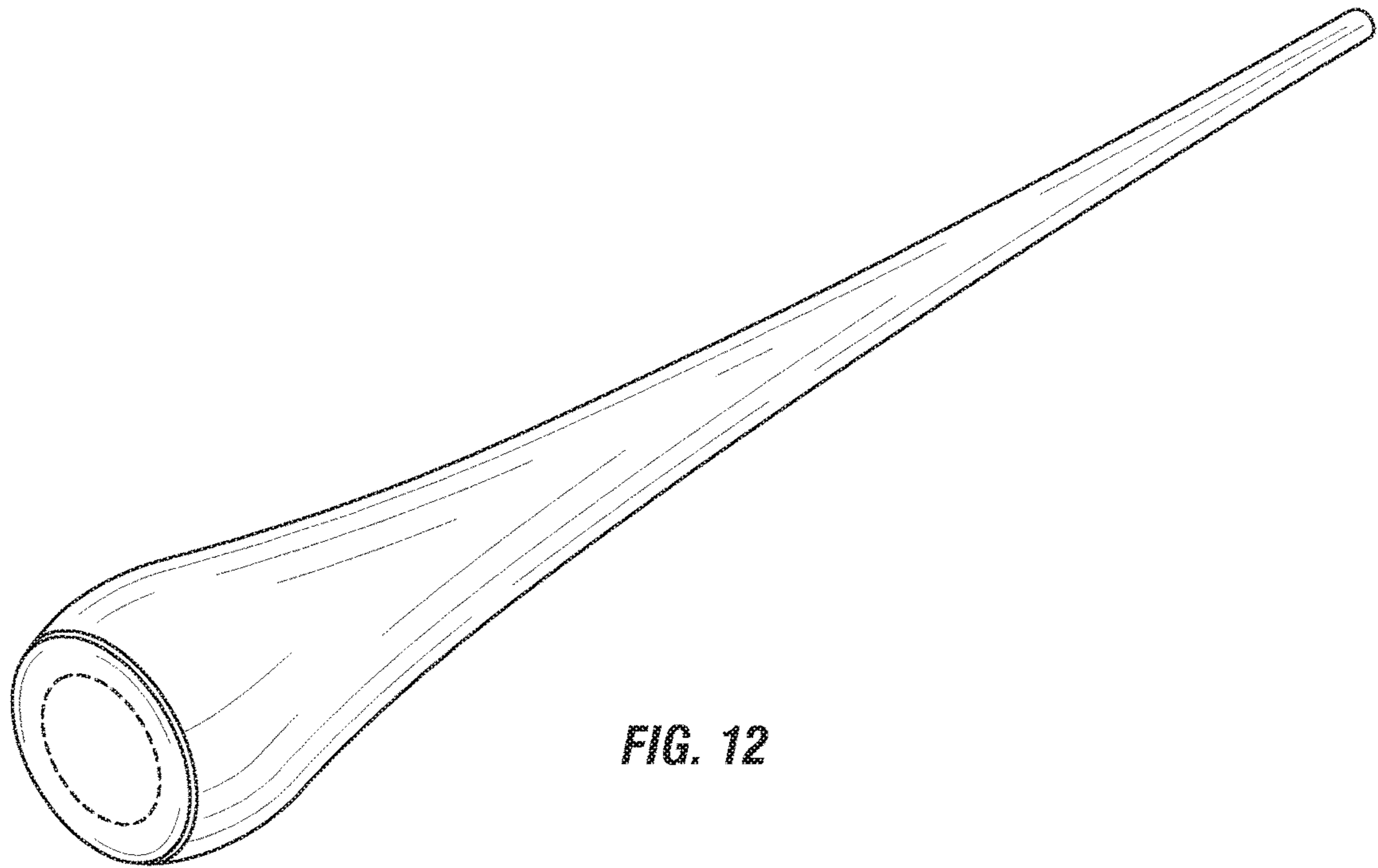


FIG. 12

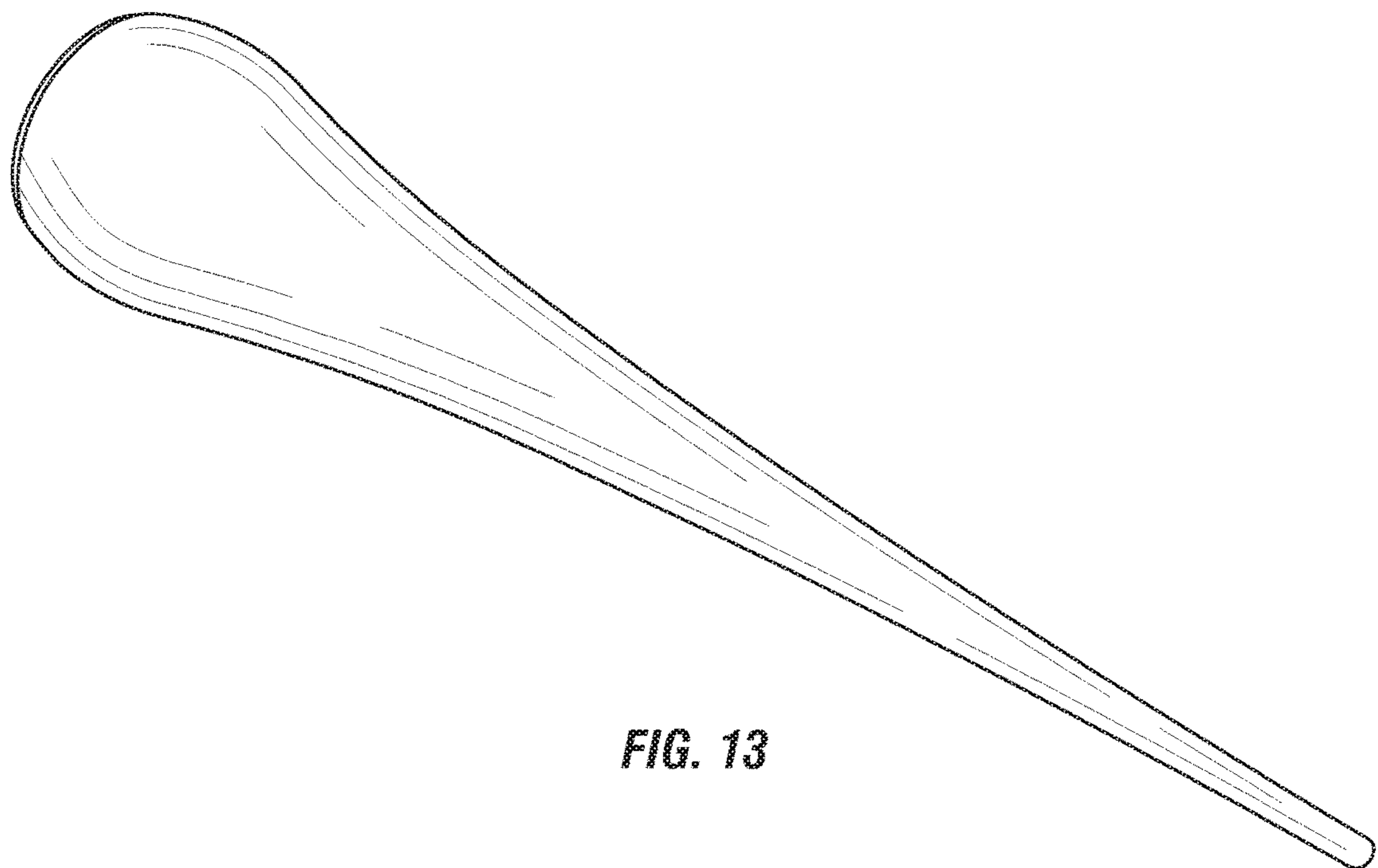


FIG. 13