



US00D844898S

(12) **United States Design Patent**
Knapp et al.

(10) **Patent No.:** **US D844,898 S**

(45) **Date of Patent:** **** Apr. 2, 2019**

(54) **COMBINED RAZOR GUARD AND DOCKING**

(71) Applicant: **PCMR International Ltd.**, Beit She'an (IL)

(72) Inventors: **Matthew Knapp**, Marina Del Rey, CA (US); **Shlomo Zucker**, Mihmoret (IL)

(73) Assignee: **Personal Care Marketing and Research, Inc.**, Marina Del Rey, CA (US)

(**) Term: **15 Years**

(21) Appl. No.: **29/622,153**

(22) Filed: **Oct. 13, 2017**

(51) **LOC (11) Cl.** **28-03**

(52) **U.S. Cl.**
USPC **D28/47**

(58) **Field of Classification Search**
USPC D28/46-48
CPC B26B 21/4018; B26B 21/08-21/32; B26B 21/14-21/227; B26B 21/446; B26B 21/40; B26B 21/4012-21/4031; B26B 21/4068-21/4075; B26B 21/4043; B26B 21/52-21/528; B26B 21/54-21/56; B26B 21/06; B26B 21/443; B26B 21/22; B26B 21/565

See application file for complete search history.

(56) **References Cited**

U.S. PATENT DOCUMENTS

6,216,561 B1 * 4/2001 Dischler B26B 21/20 76/104.1
D604,904 S * 11/2009 Watson D28/47
D617,946 S * 6/2010 Lukan D28/47
D617,948 S * 6/2010 Lukan D28/47
D658,809 S * 5/2012 Jessemey D28/47
D661,426 S * 6/2012 Wain D28/47
D699,892 S * 2/2014 Wonderley D28/47

D701,646 S * 3/2014 Jobdevairakkam D28/47
D731,708 S * 6/2015 Tucker D28/47
D749,265 S * 2/2016 Cataudella D28/47
D764,100 S * 8/2016 Park D28/47

(Continued)

Primary Examiner — Jennifer Rivard

(74) *Attorney, Agent, or Firm* — DLA Piper LLP (US)

(57) **CLAIM**

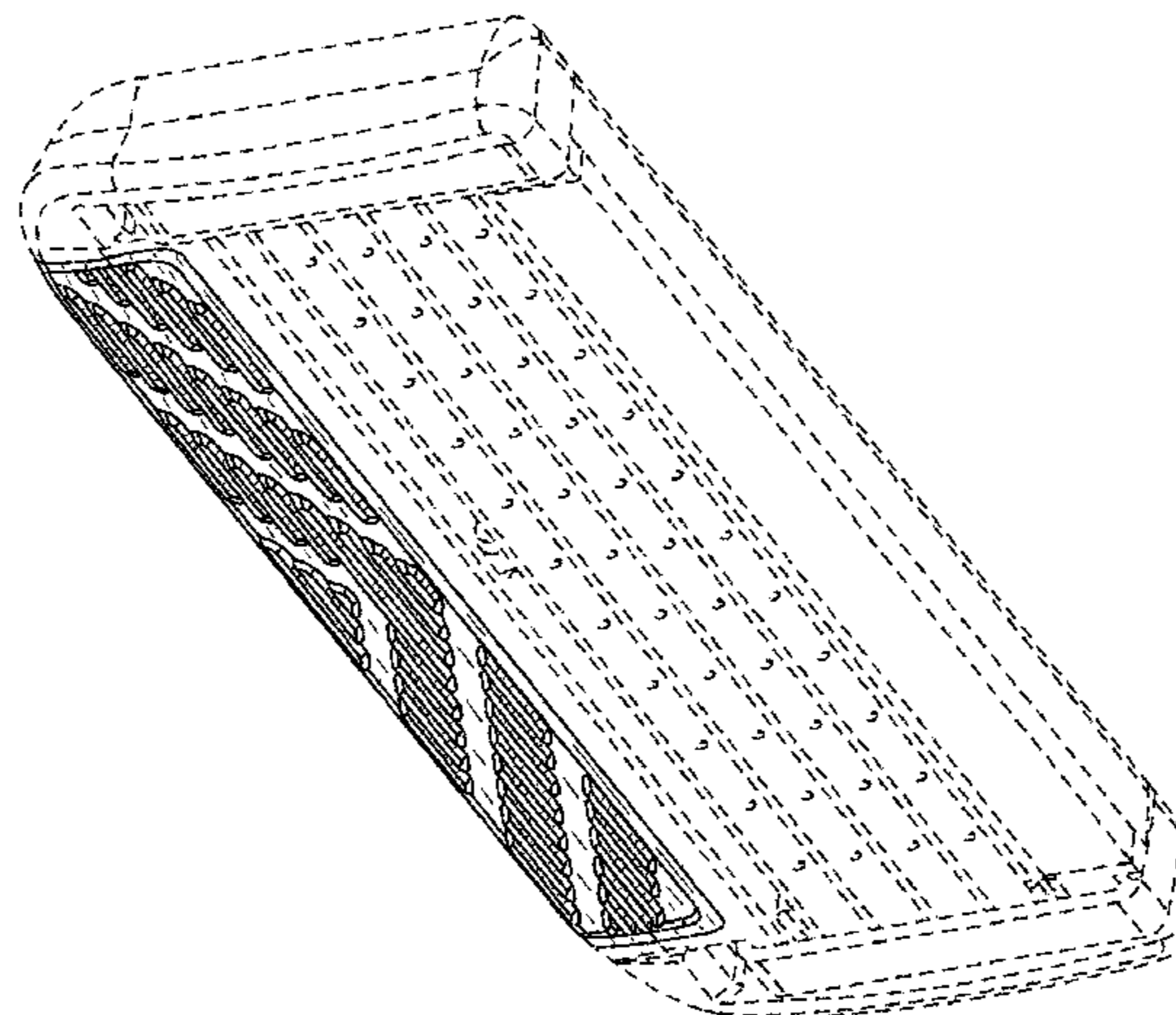
We claim the ornamental design for a combined razor guard and docking, as shown and described.

DESCRIPTION

FIG. 1 is a front perspective of a combined razor guard and docking, according to an embodiment of my new design; FIG. 2 is a rear perspective of a combined razor guard and docking, according to an embodiment of my new design; FIG. 3 is a front elevational view of a combined razor guard and docking, according to an embodiment of my new design; FIG. 4 is a rear elevational view of a combined razor guard and docking, according to an embodiment of my new design; FIG. 5 is a bottom plan view of a combined razor guard and docking, according to an embodiment of my new design; FIG. 6 is a top plan view of a combined razor guard and docking, according to an embodiment of my new design; FIG. 7 is a side elevational view of a combined razor guard and docking, according to an embodiment of my new design; and, FIG. 8 is a side elevational view of a combined razor guard and docking, according to an embodiment of my new design.

The broken lines illustrate the environment for the combined razor guard and docking and form no part of the claimed design.

1 Claim, 8 Drawing Sheets



(56)

References Cited

U.S. PATENT DOCUMENTS

D764,101	S *	8/2016	Cataudella	D28/47
D776,875	S *	1/2017	Ren	D28/47
9,738,000	B2 *	8/2017	Ariyanayagam ...	B26B 21/4018
2002/0000040	A1 *	1/2002	Gilder	B26B 21/4018
				30/41.5
2009/0188112	A1 *	7/2009	Prochaska	B26B 21/222
				30/34.05
2010/0313424	A1 *	12/2010	Johnson	B26B 21/222
				30/34.2
2011/0094108	A1 *	4/2011	Wain	B26B 21/4018
				30/77
2015/0090085	A1 *	4/2015	Griffin	B26B 21/4018
				83/13
2016/0158948	A1 *	6/2016	Eagleton	B26B 21/443
				30/34.2
2016/0236364	A1 *	8/2016	Varenberg	B26B 21/4018
2016/0279817	A1 *	9/2016	Washington	B26B 21/4018
2017/0282389	A1 *	10/2017	Jolley	B26B 21/4018
2018/0071931	A1 *	3/2018	Walker, Jr.	B26B 21/222
2018/0236677	A1 *	8/2018	Blatter	B26B 21/443

* cited by examiner

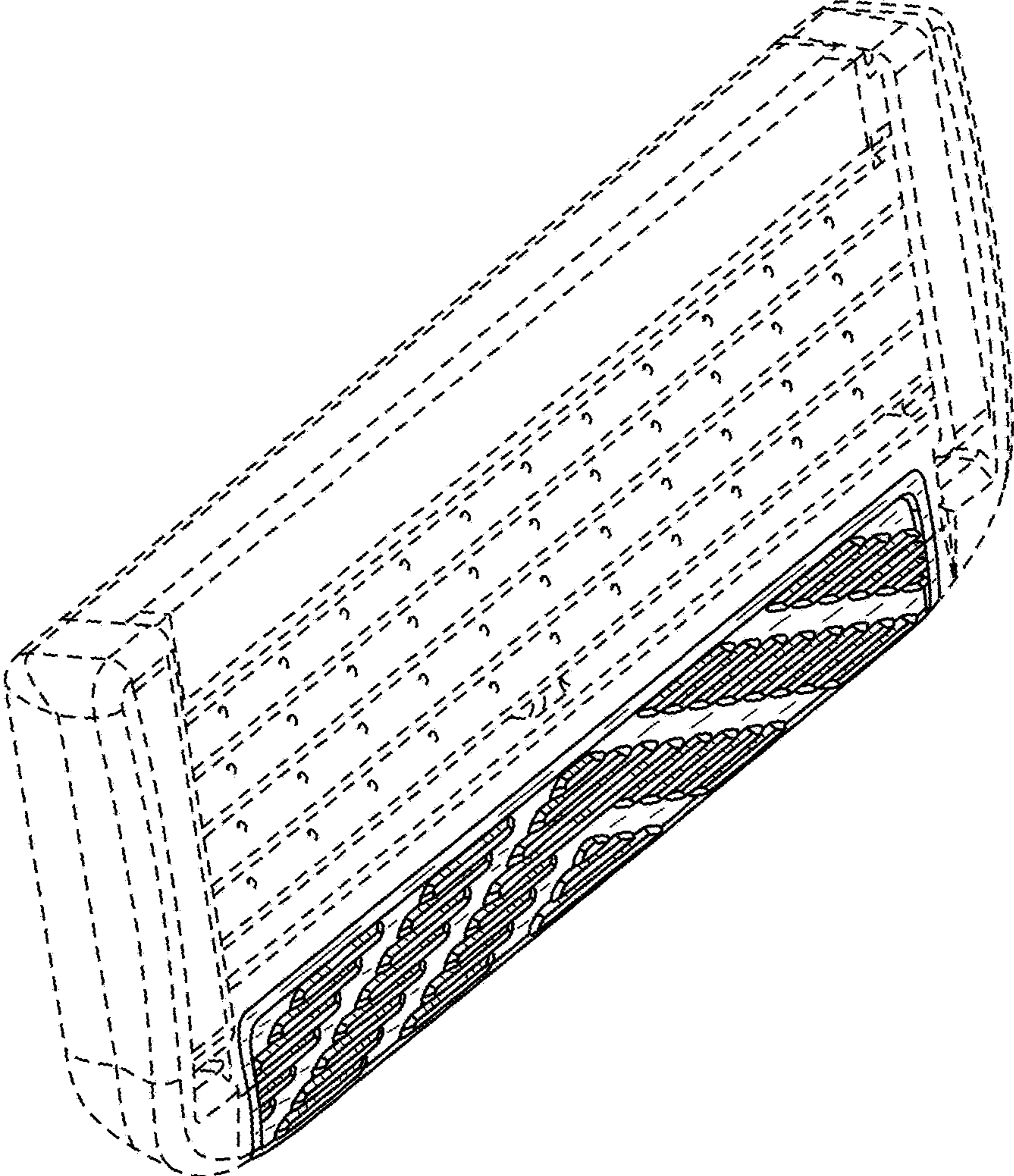


FIG. 1

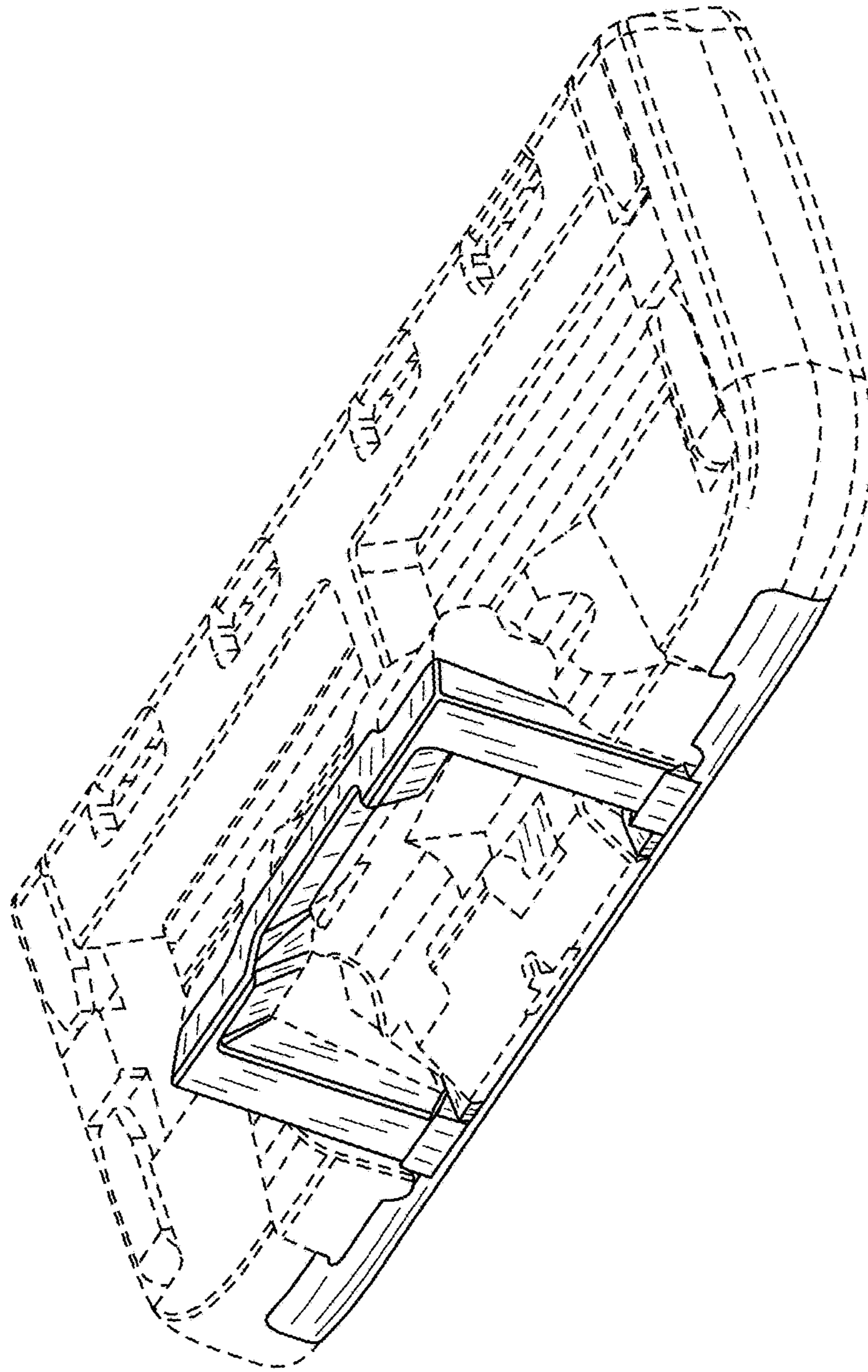


FIG. 2

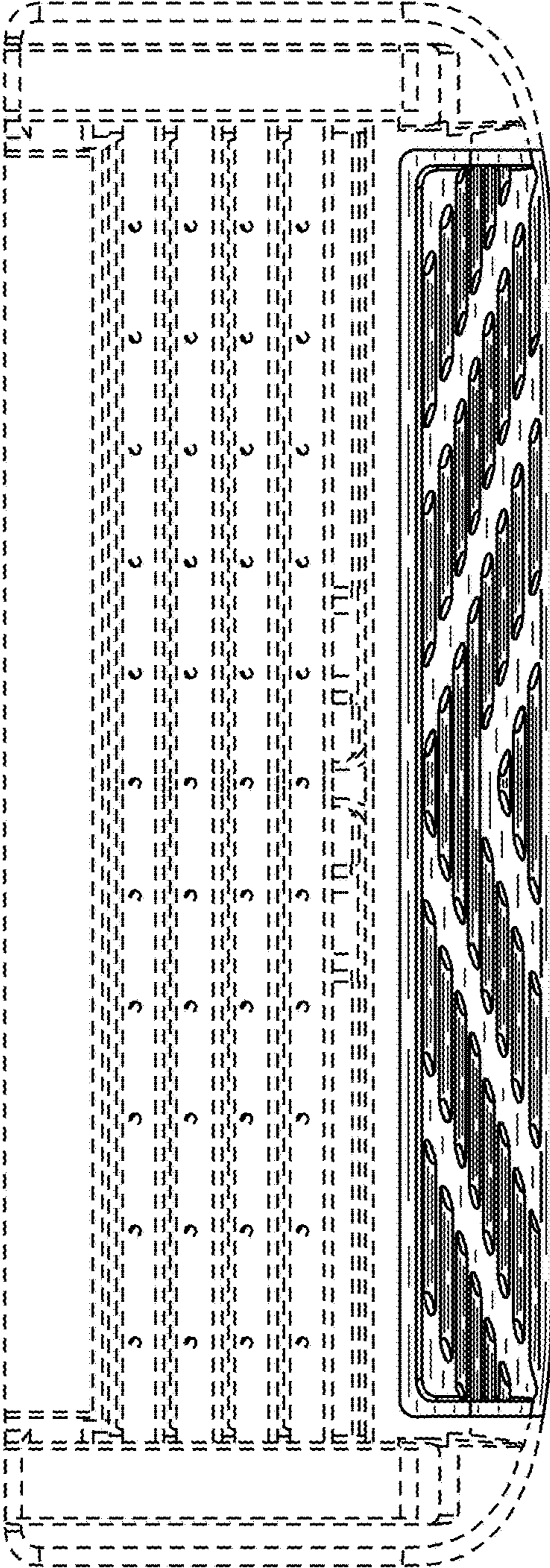


FIG. 3

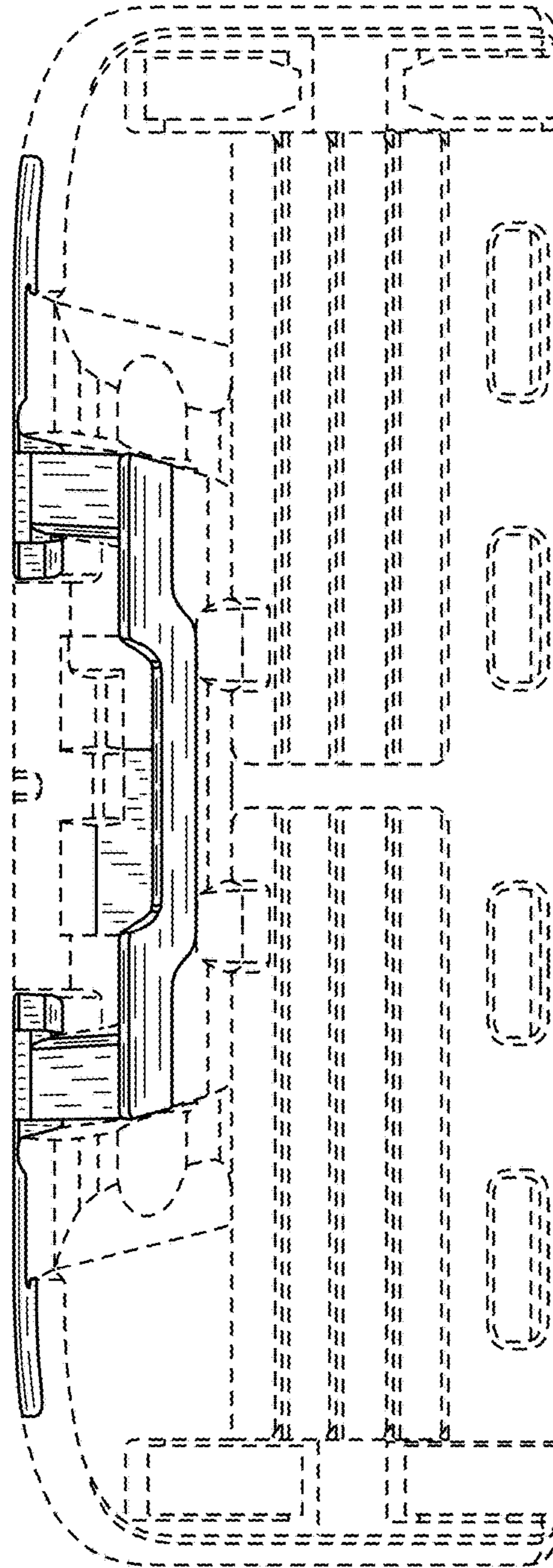


FIG. 4

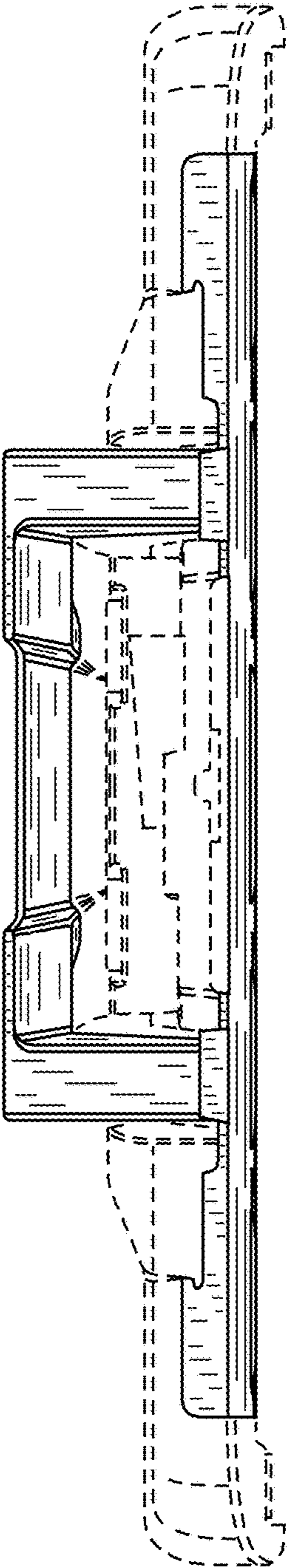


FIG. 5

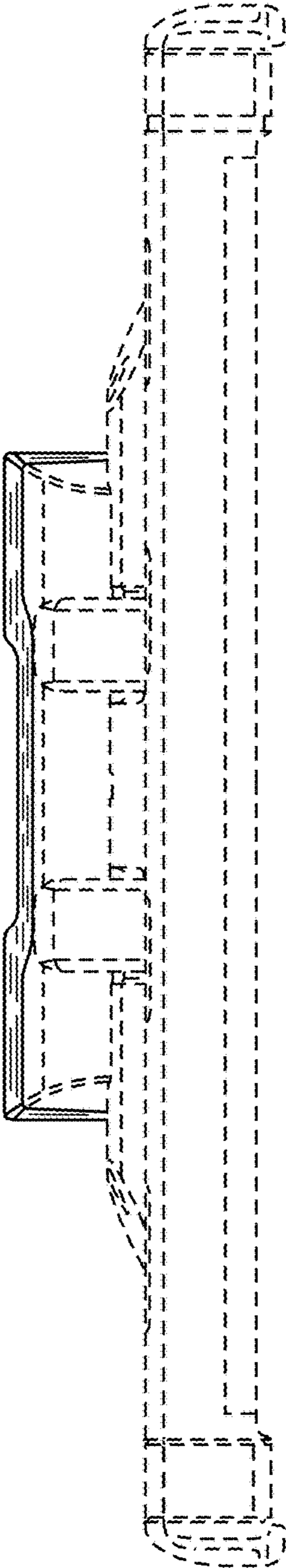


FIG. 6

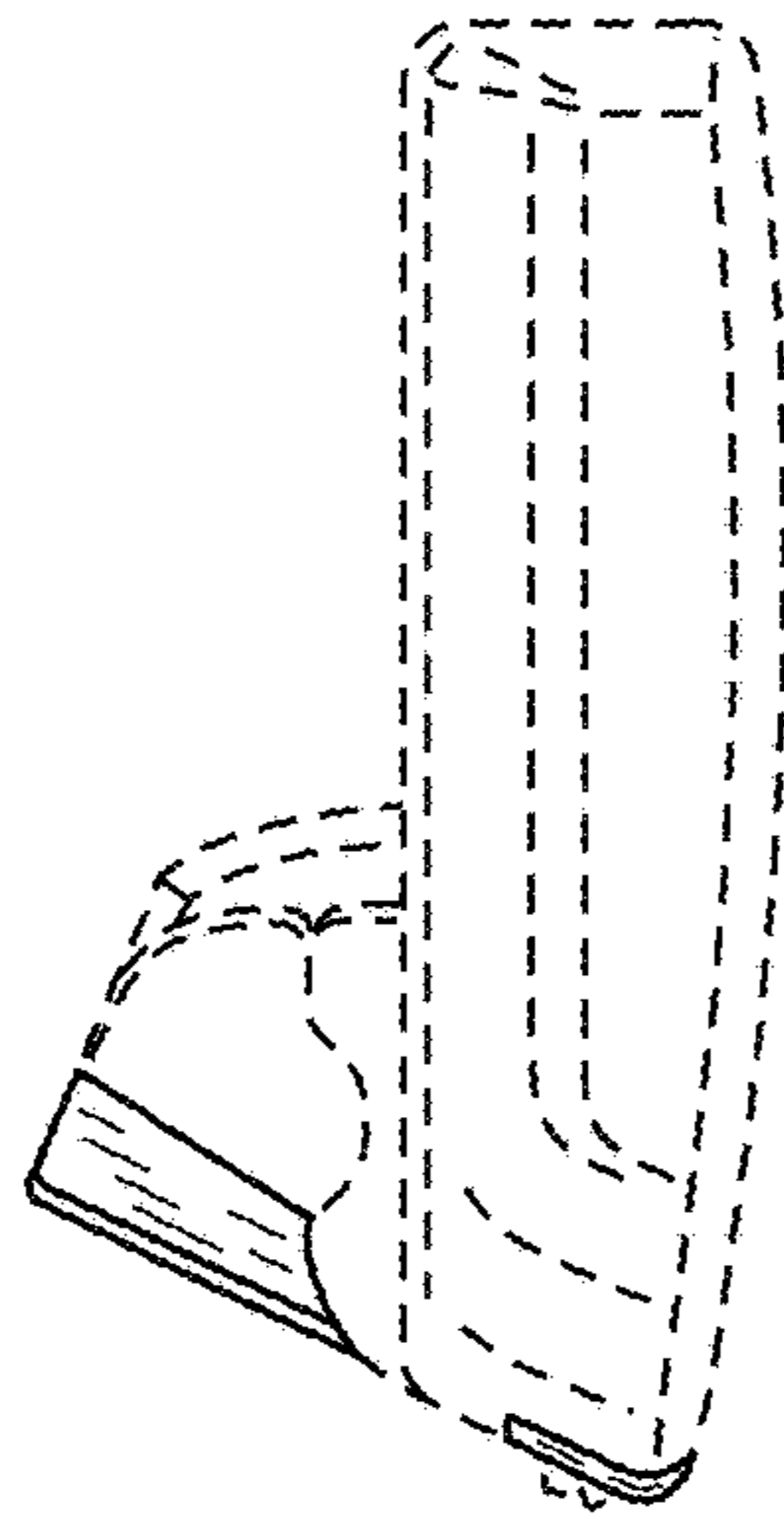


FIG. 7

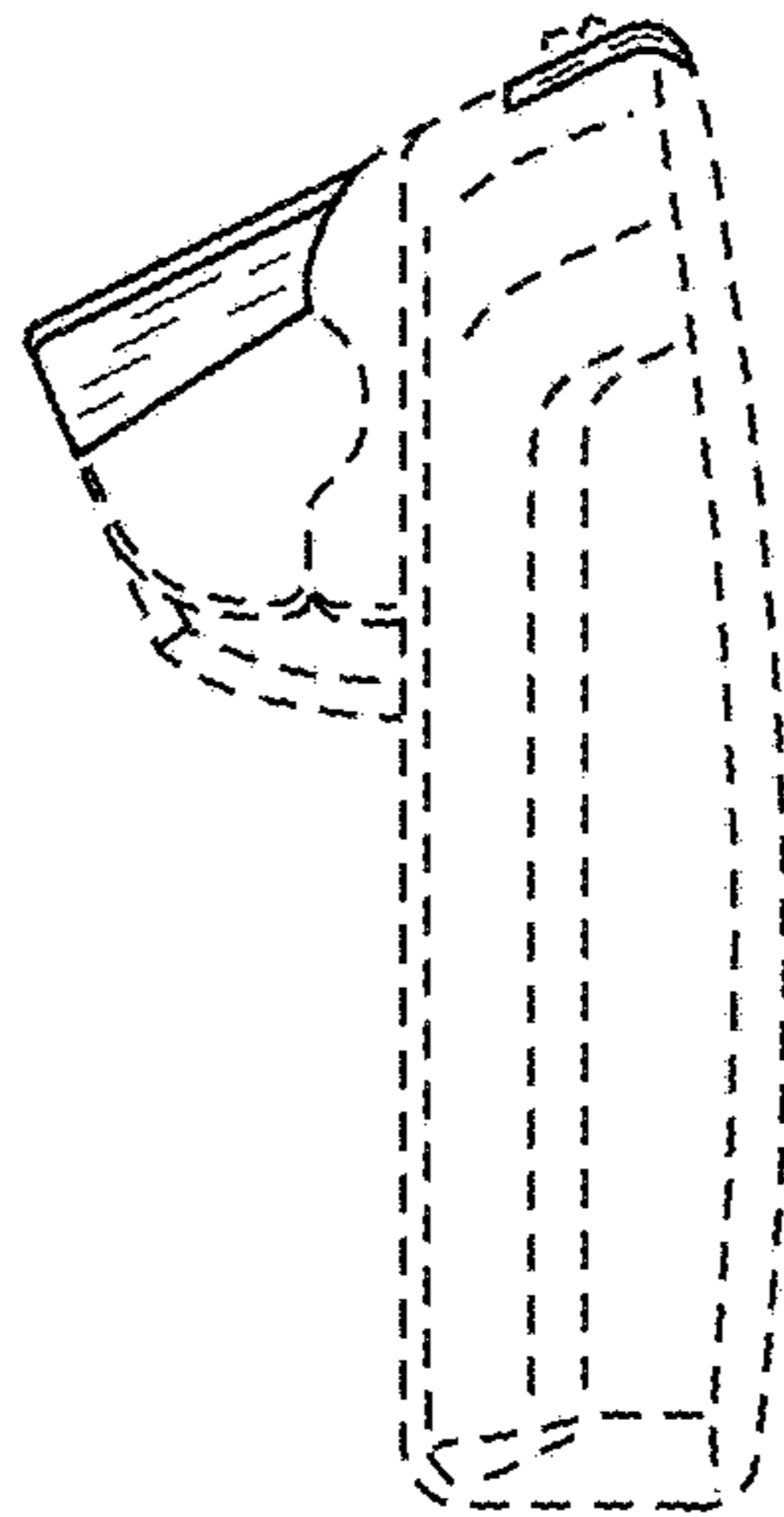


FIG. 8