



US00D844897S

(12) **United States Design Patent**  
**Howsam et al.**

(10) **Patent No.:** **US D844,897 S**  
(45) **Date of Patent:** **\*\* Apr. 2, 2019**

- (54) **RAZOR**
- (71) Applicant: **Dash Direct Ltd.**, Plymouth Devon (GB)
- (72) Inventors: **Christopher Howsam**, Teignmouth (GB); **Luke Wilcox**, Anglet (FR); **Thomas Bonfield**, Exeter (GB)
- (73) Assignee: **DASH DIRECT LTD.**, Language Plymouth (GB)
- (\*\*) Term: **15 Years**
- (21) Appl. No.: **29/568,293**
- (22) Filed: **Jun. 16, 2016**
- (30) **Foreign Application Priority Data**  
Dec. 16, 2015 (EM) ..... 002912543-0001
- (51) **LOC (11) Cl.** ..... **28-03**
- (52) **U.S. Cl.**  
USPC ..... **D28/46**
- (58) **Field of Classification Search**  
USPC ..... D28/46-48  
CPC ..... B26B 21/4012-21/4031; B26B 21/22-21/227; B26B 21/28; B26B 21/08; B26B 21/12; B26B 21/14; B26B 21/16; B26B 21/165; B26B 21/18; B26B 21/54-21/565  
See application file for complete search history.
- (56) **References Cited**  
**U.S. PATENT DOCUMENTS**  
2,562,513 A \* 7/1951 Shnitzler ..... B65D 83/10 206/356  
3,293,744 A \* 12/1966 Kuhl ..... B26B 21/32 30/41.8

- 3,378,922 A \* 4/1968 Schrader ..... B26B 21/06 30/32
- D234,648 S \* 3/1975 Braginetz ..... D28/46
- D255,165 S \* 5/1980 Byrne ..... D28/48
- D285,495 S \* 9/1986 Buddie ..... D28/46
- D295,900 S \* 5/1988 Bonori ..... D28/46
- D305,805 S \* 1/1990 Gray ..... D28/46
- D321,953 S \* 11/1991 Gray ..... D28/48
- D344,365 S \* 2/1994 Mondo ..... D28/46
- D763,506 S \* 8/2016 Barrett ..... D28/46
- D765,912 S \* 9/2016 Thi Minh Vinh ..... D28/48
- 2015/0352737 A1 \* 12/2015 Hickam ..... B26B 21/521 30/70
- 2016/0075040 A1 \* 3/2016 Nordstrom ..... B26B 21/18 30/71
- 2016/0288349 A1 \* 10/2016 Barrett ..... B26B 21/16
- 2017/0274541 A1 \* 9/2017 Gilor ..... B26B 21/443

\* cited by examiner

*Primary Examiner* — Jennifer Rivard  
(74) *Attorney, Agent, or Firm* — Price Heneveld LLP

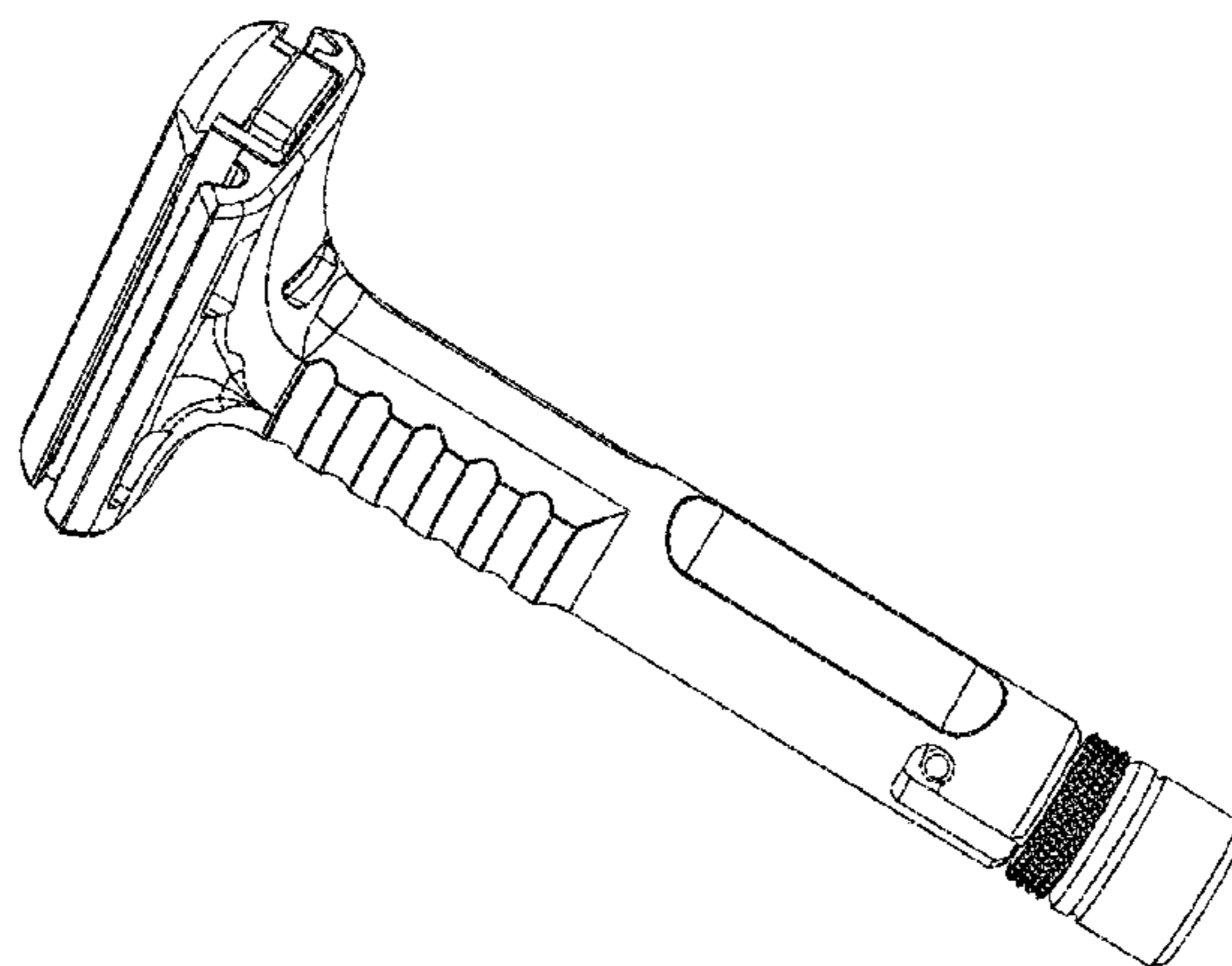
(57) **CLAIM**

The ornamental design for a razor, as shown and described.

**DESCRIPTION**

FIG. 1 is a front elevational view of a razor embodying the present invention;  
FIG. 2 is a first side elevational view of the razor;  
FIG. 3 is a rear elevational view of the razor;  
FIG. 4 is a second side elevational view of the razor;  
FIG. 5 is a first perspective view of the razor;  
FIG. 6 is a second perspective view of the razor; and,  
FIG. 7 is a third perspective view of the razor.

**1 Claim, 7 Drawing Sheets**



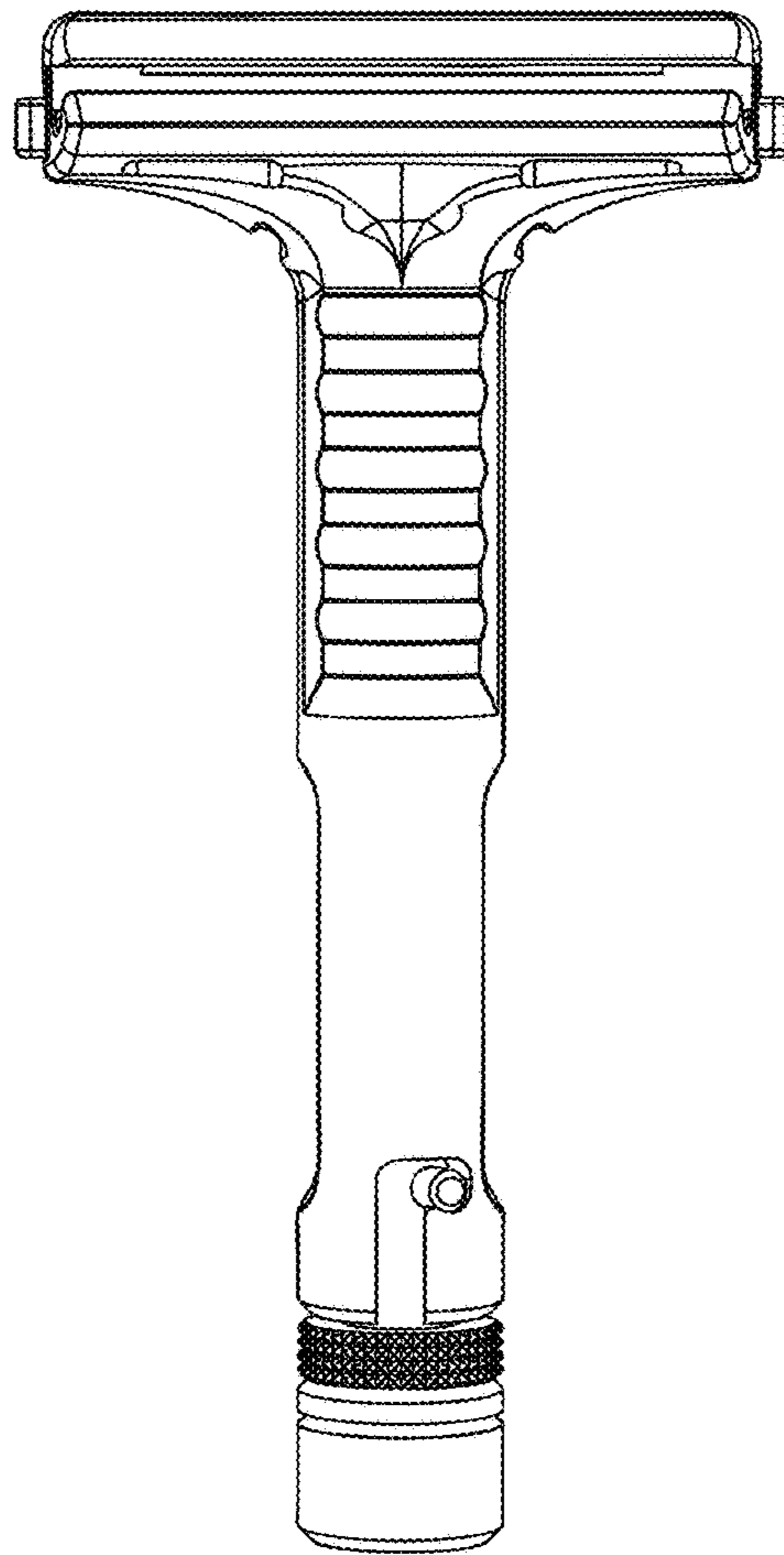


FIG.1

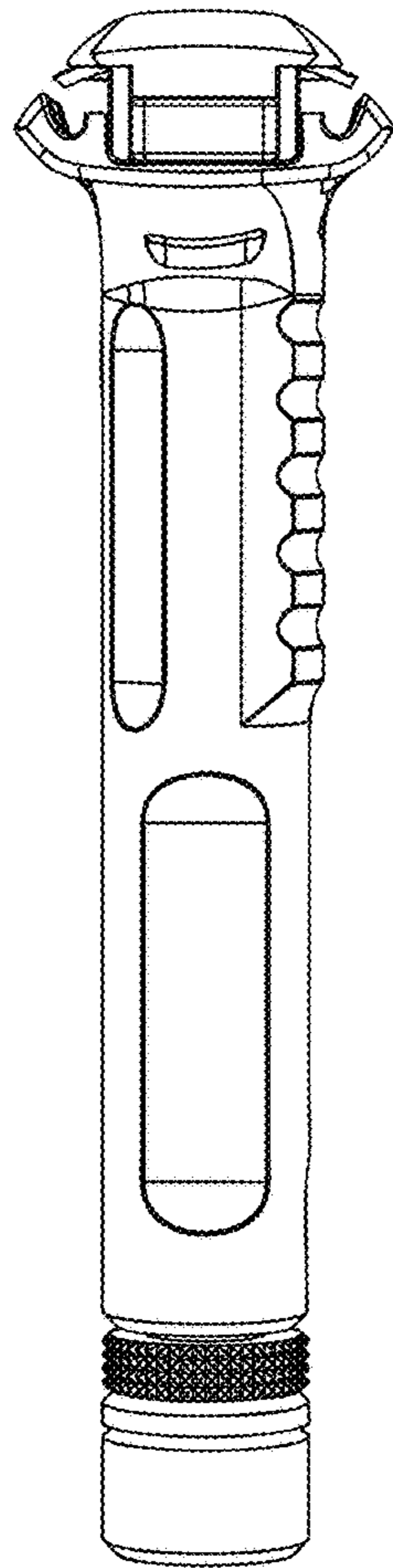


FIG.2

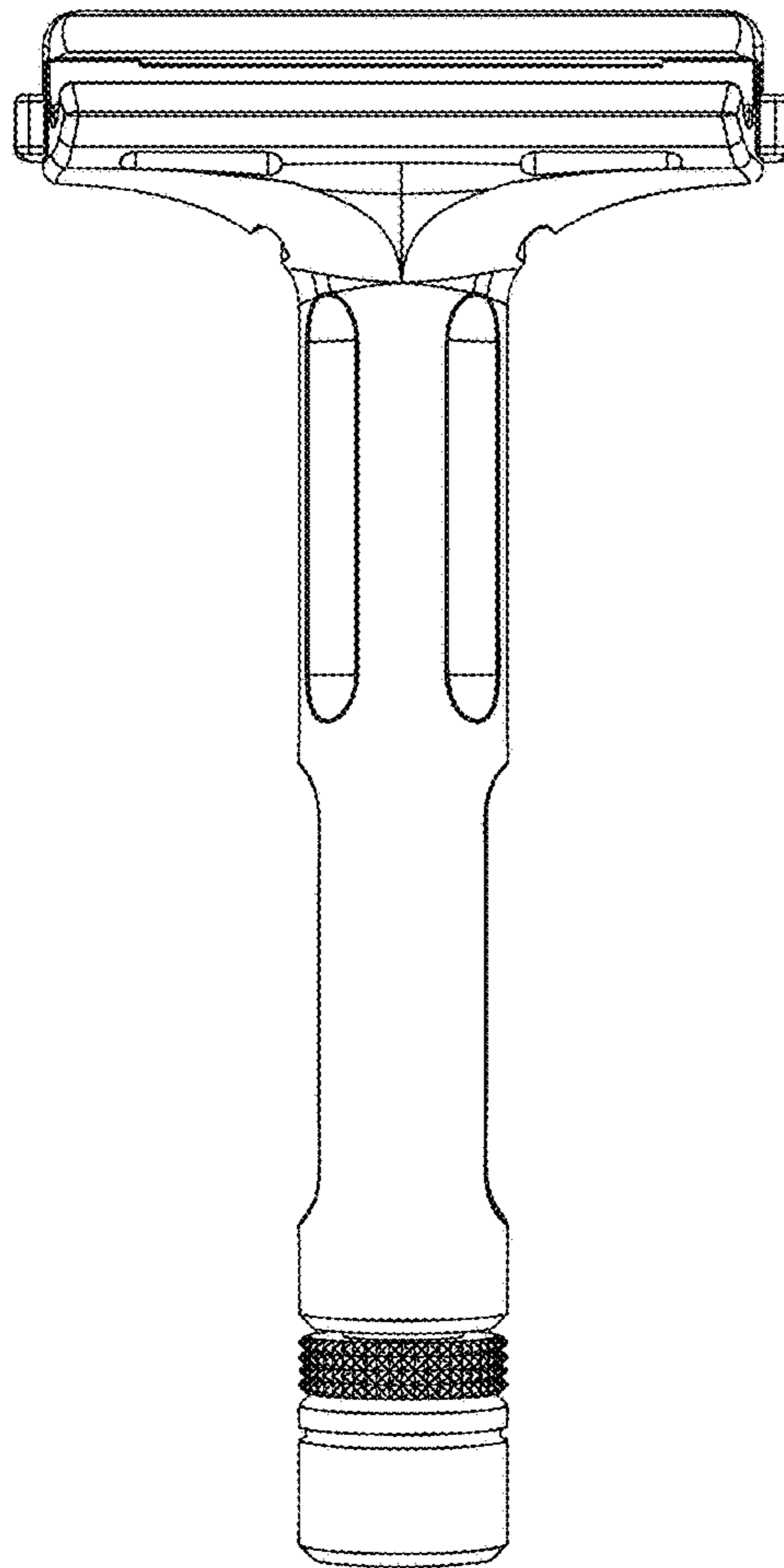


FIG.3

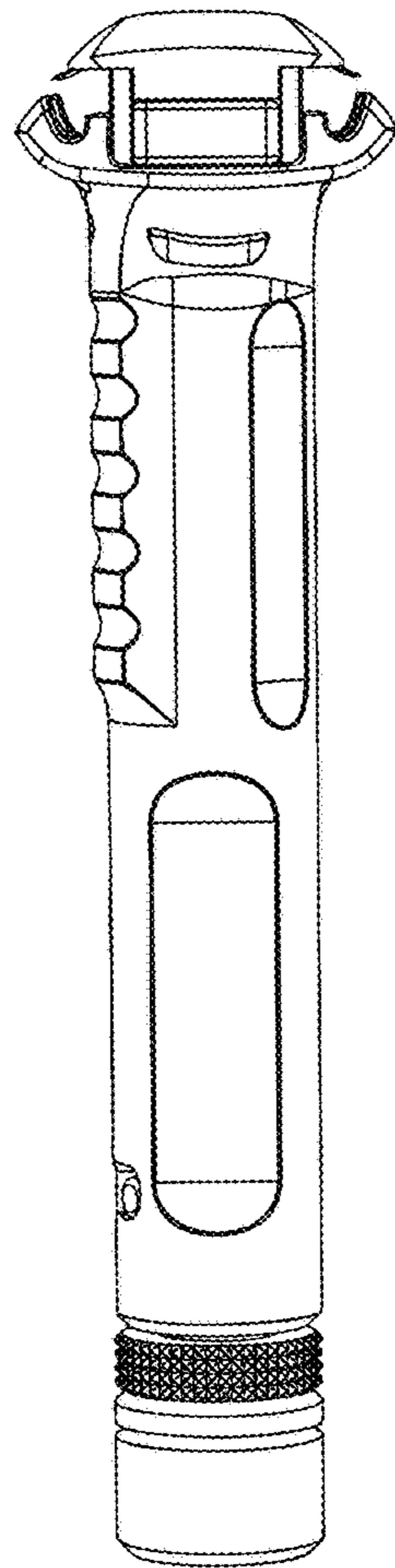


FIG.4

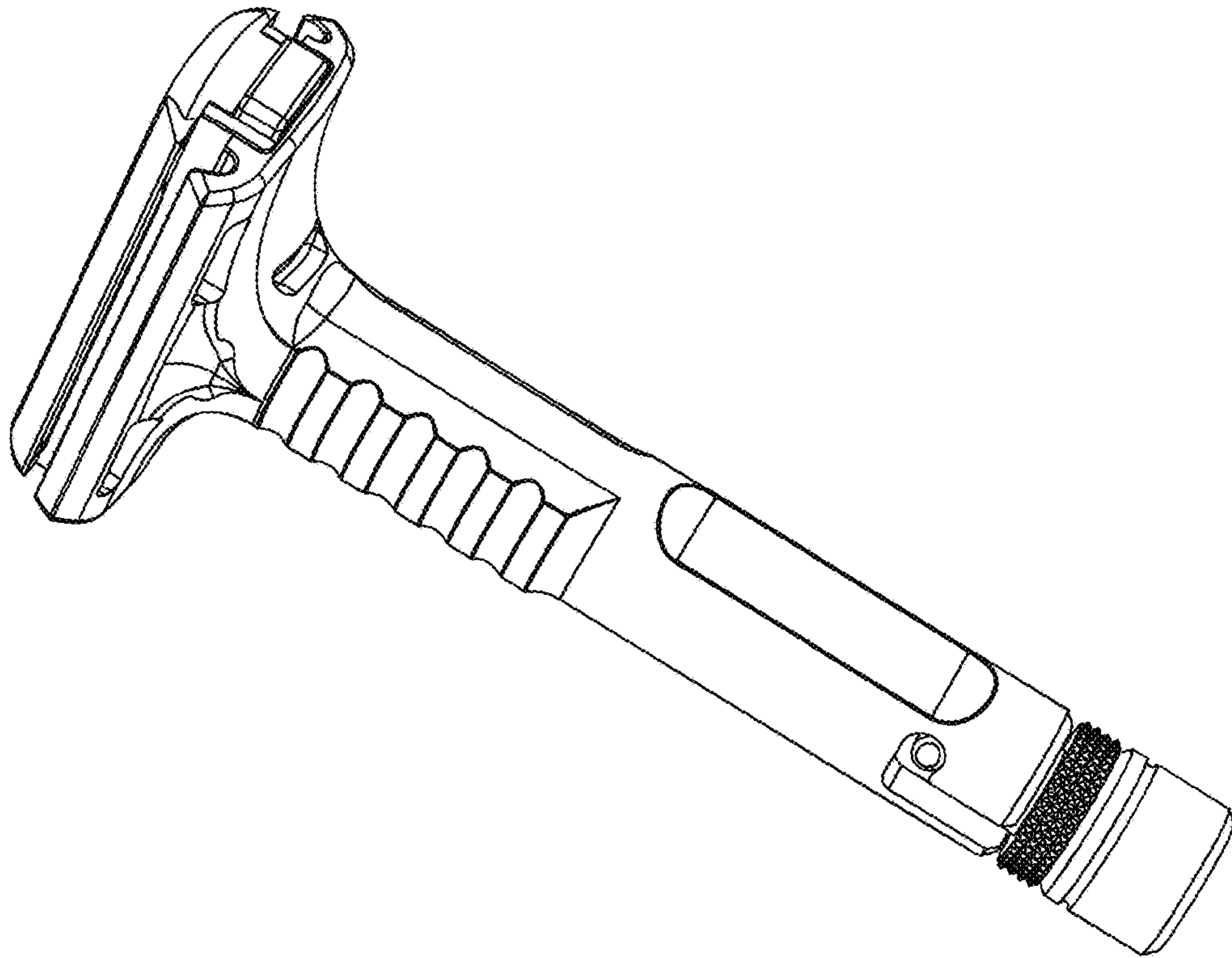


FIG. 5

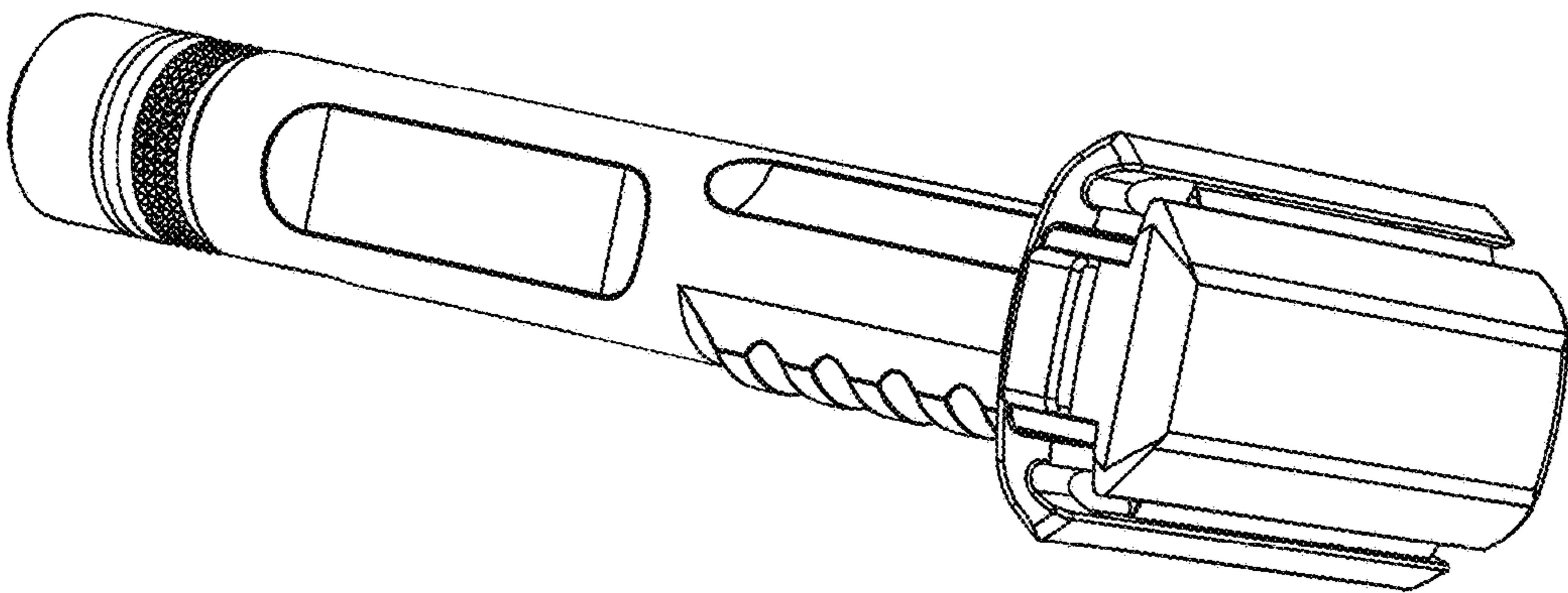


FIG.6



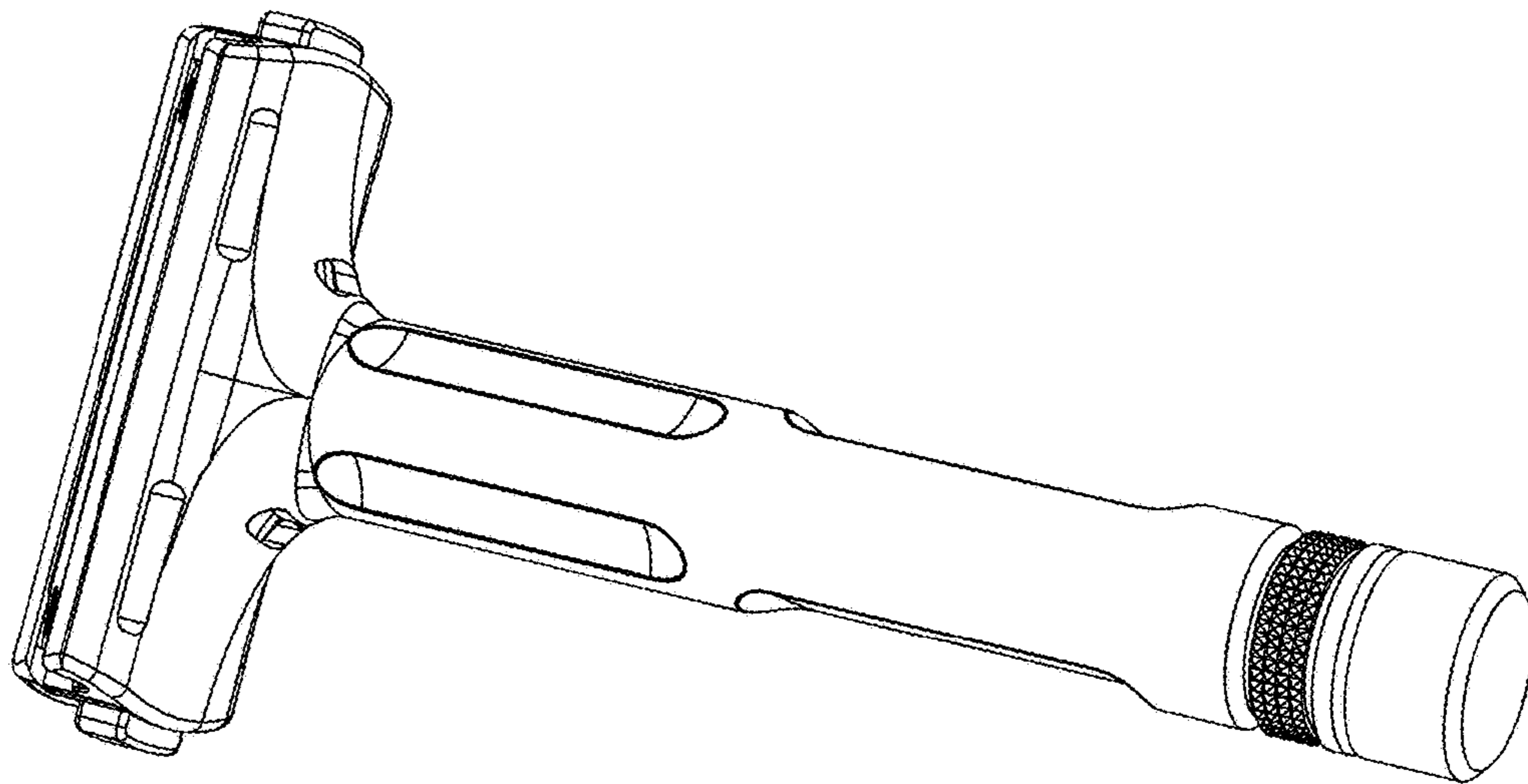


FIG.7