

US00D844896S

(12) **United States Design Patent**  
**Levi et al.**

(10) **Patent No.: US D844,896 S**

(45) **Date of Patent: \*\* Apr. 2, 2019**

(54) **HAIR REMOVAL DEVICE**

(71) Applicants: **BenZion Levi**, Habonim (IL); **Moshe Marciano**, Galya (IL)

(72) Inventors: **BenZion Levi**, Habonim (IL); **Moshe Marciano**, Galya (IL)

(73) Assignee: **Home Skinovations Ltd.**, Yokneam (IL)

(\*\*) Term: **15 Years**

(21) Appl. No.: **29/590,367**

(22) Filed: **Jan. 10, 2017**

(51) **LOC (11) Cl.** ..... **28-03**

(52) **U.S. Cl.**

USPC ..... **D28/44.1**; D24/133; D24/209

(58) **Field of Classification Search**

USPC ..... D28/44-54; D24/209, 133

CPC ..... A61B 2018/202; A61B 2018/2023; A61B 2018/203; A61B 2018/00476

See application file for complete search history.

(56) **References Cited**

**U.S. PATENT DOCUMENTS**

|                |         |             |       |                      |
|----------------|---------|-------------|-------|----------------------|
| D535,746 S *   | 1/2007  | Grove       | ..... | D24/144              |
| D589,650 S *   | 3/2009  | Adriaenssen | ..... | D24/133              |
| D653,811 S *   | 2/2012  | BenZion     | ..... | D24/133              |
| D656,620 S *   | 3/2012  | Altshuler   | ..... | D24/209              |
| D695,903 S *   | 12/2013 | Tamsiran    | ..... | D24/209              |
| 8,652,188 B2 * | 2/2014  | Hamada      | ..... | A61B 18/203<br>606/9 |
| D705,484 S *   | 5/2014  | Bourgeois   | ..... | D24/133              |
| D705,939 S *   | 5/2014  | Bradley     | ..... | D24/209              |
| D705,989 S *   | 5/2014  | Levi        | ..... | D24/133              |
| D705,992 S *   | 5/2014  | Levi        | ..... | D24/133              |
| D706,980 S *   | 6/2014  | Tasar       | ..... | D24/133              |
| D707,839 S *   | 6/2014  | Bradley     | ..... | D24/209              |
| D776,873 S *   | 1/2017  | Levi        | ..... | D24/133              |
| D776,874 S *   | 1/2017  | Kling       | ..... | D24/133              |
| D787,083 S *   | 5/2017  | Ely         | ..... | D24/209              |

|                   |         |          |       |                        |
|-------------------|---------|----------|-------|------------------------|
| D789,604 S *      | 6/2017  | Levi     | ..... | D24/133                |
| D802,841 S *      | 11/2017 | Kling    | ..... | D28/44.1               |
| D808,076 S *      | 1/2018  | Gabriele | ..... | D28/44.1               |
| 2011/0270365 A1 * | 11/2011 | Hamada   | ..... | A61B 18/203<br>607/90  |
| 2012/0165682 A1 * | 6/2012  | Keeney   | ..... | A61B 18/203<br>600/476 |

(Continued)

**FOREIGN PATENT DOCUMENTS**

EP 2901955 A1 \* 8/2015 ..... A61B 18/203

**OTHER PUBLICATIONS**

www.15minutebeauty.com, Silk'N Flash review does at home laser hair removal work?, 1 page, Jan. 25, 2013 (Year: 2013).\*

(Continued)

*Primary Examiner* — Jennifer Rivard

(74) *Attorney, Agent, or Firm* — Dekel Patent Ltd.; David Klein

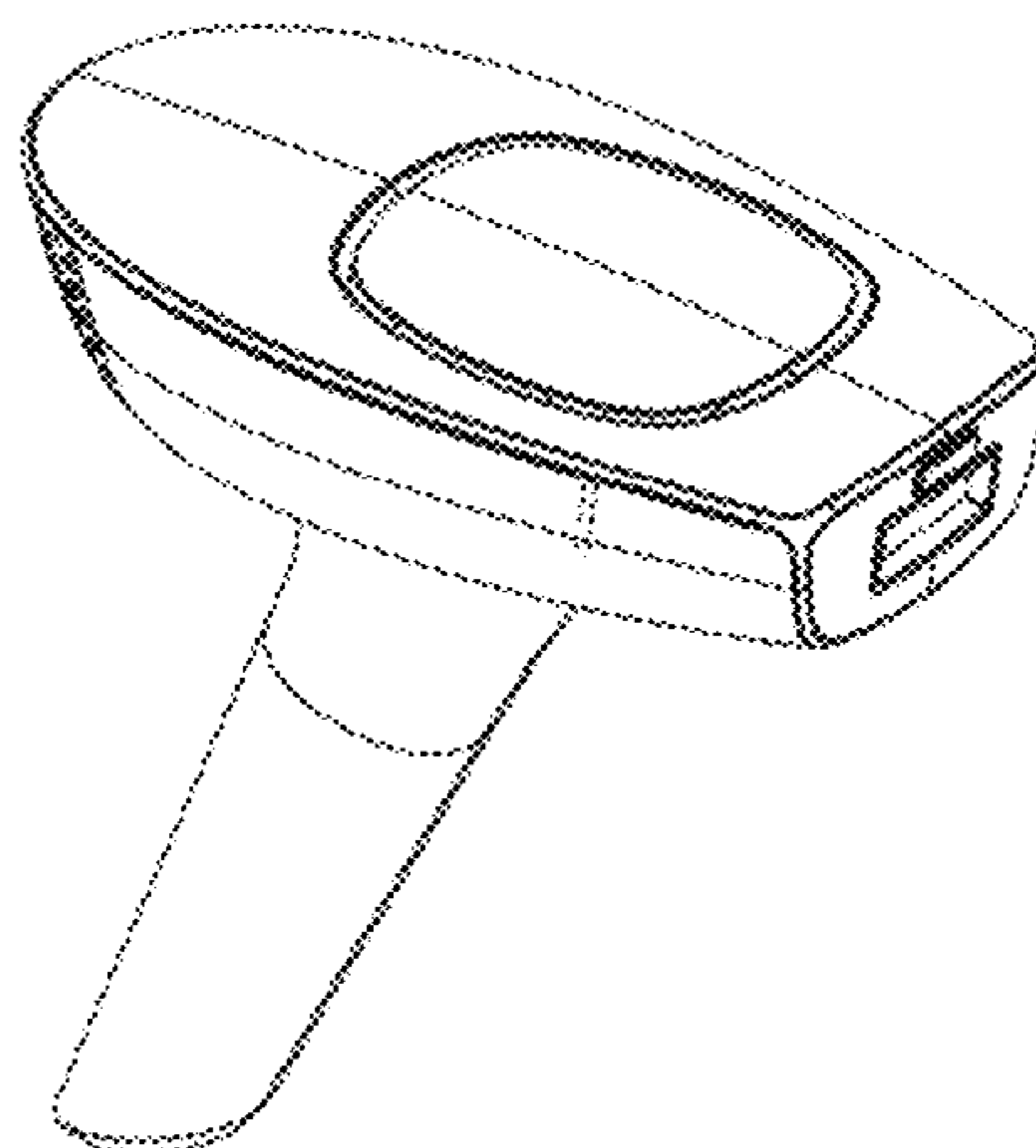
(57) **CLAIM**

The ornamental design for a hair removal device, as shown and described.

**DESCRIPTION**

FIG. 1 is a left rear perspective view of a hair removal device, showing my new design;  
FIG. 2 is an inverted side view thereof;  
FIG. 3 is a right rear perspective view thereof;  
FIG. 4 is a front view thereof;  
FIG. 5 is a top view thereof;  
FIG. 6 is a rear view thereof;  
FIG. 7 is a right front perspective view thereof;  
FIG. 8 is a side view thereof; and,  
FIG. 9 is a left front perspective view thereof.  
The broken lines illustrate portions of the hair removal device and form no part of the claimed design.

**1 Claim, 4 Drawing Sheets**



(56)

**References Cited**

U.S. PATENT DOCUMENTS

2012/0197357 A1\* 8/2012 Dewey ..... A61B 18/203  
607/89  
2014/0142471 A1\* 5/2014 Chambon ..... A61B 18/203  
601/18  
2015/0282878 A1\* 10/2015 Kindermann ..... A61B 18/18  
606/9  
2017/0196336 A1\* 7/2017 Smal ..... A45D 26/00  
2018/0071021 A1\* 3/2018 Kindermann ..... A61B 18/18

OTHER PUBLICATIONS

Amazon.com: IPL Hair Removal System, Painless Permanent IPL Hair Removal Device for Women & Man, With 5 Levels for Different Skin, 6 pages, reviewed 2018 (Year: 2018).\*

\* cited by examiner

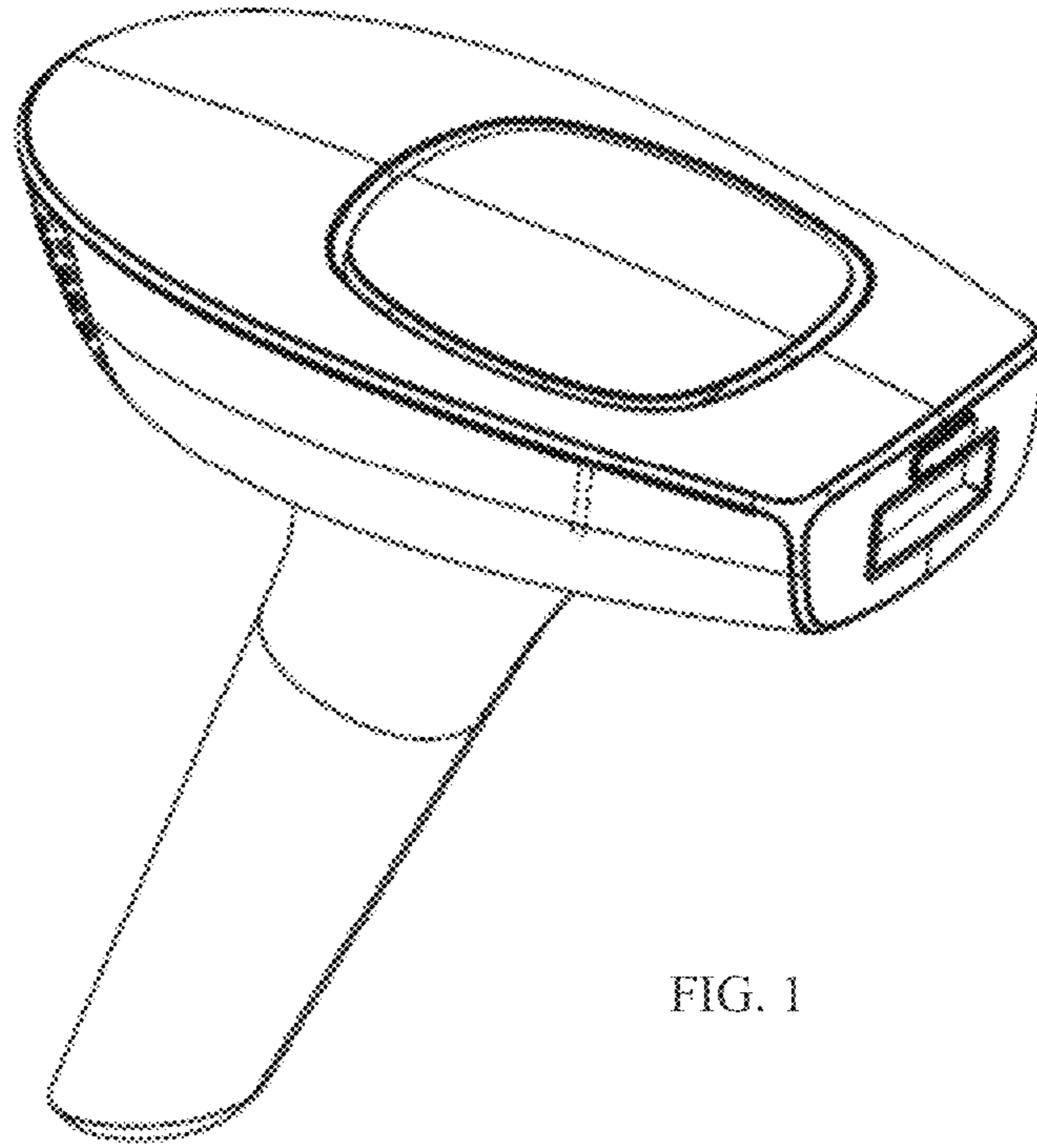


FIG. 1

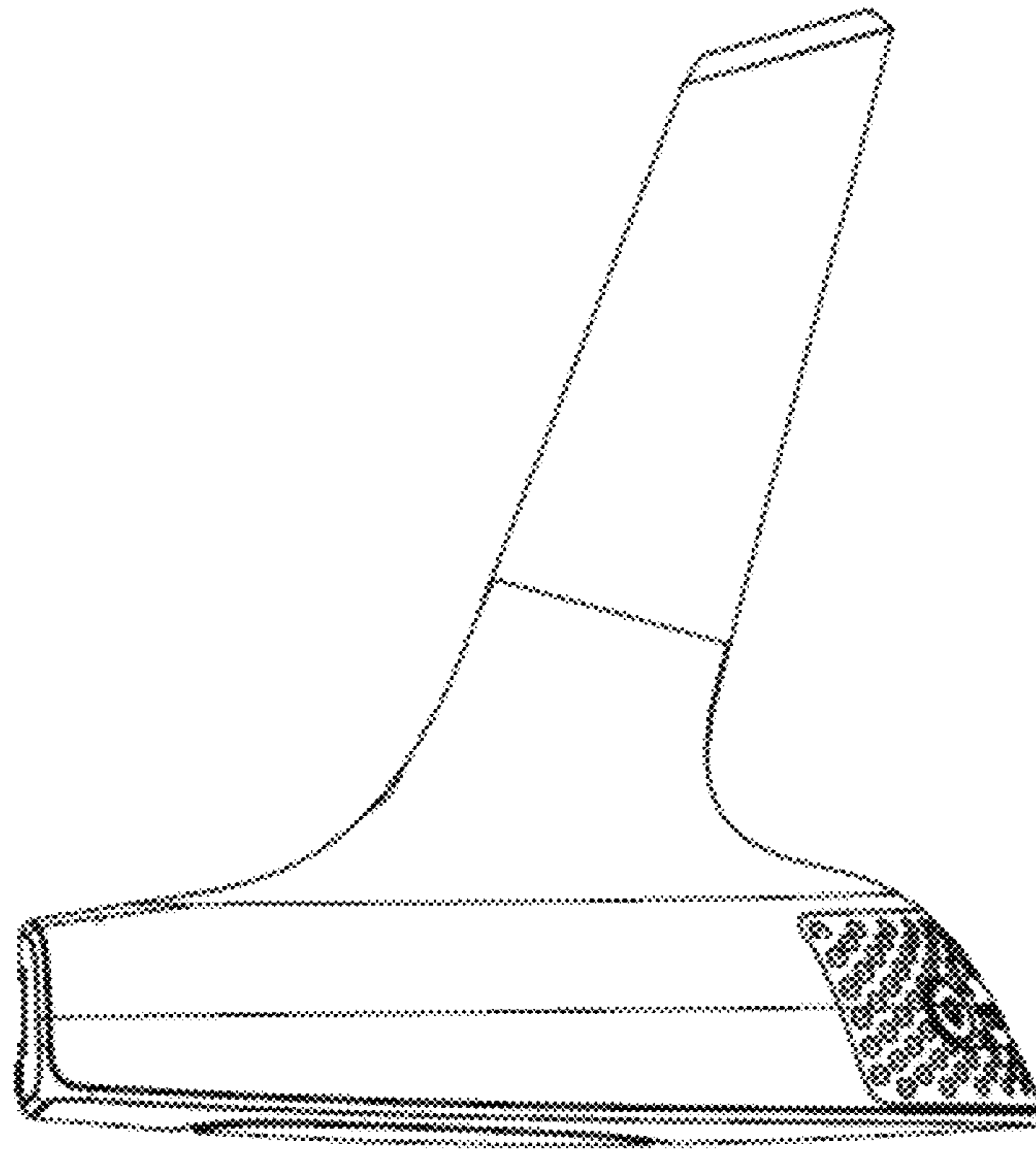


FIG. 2

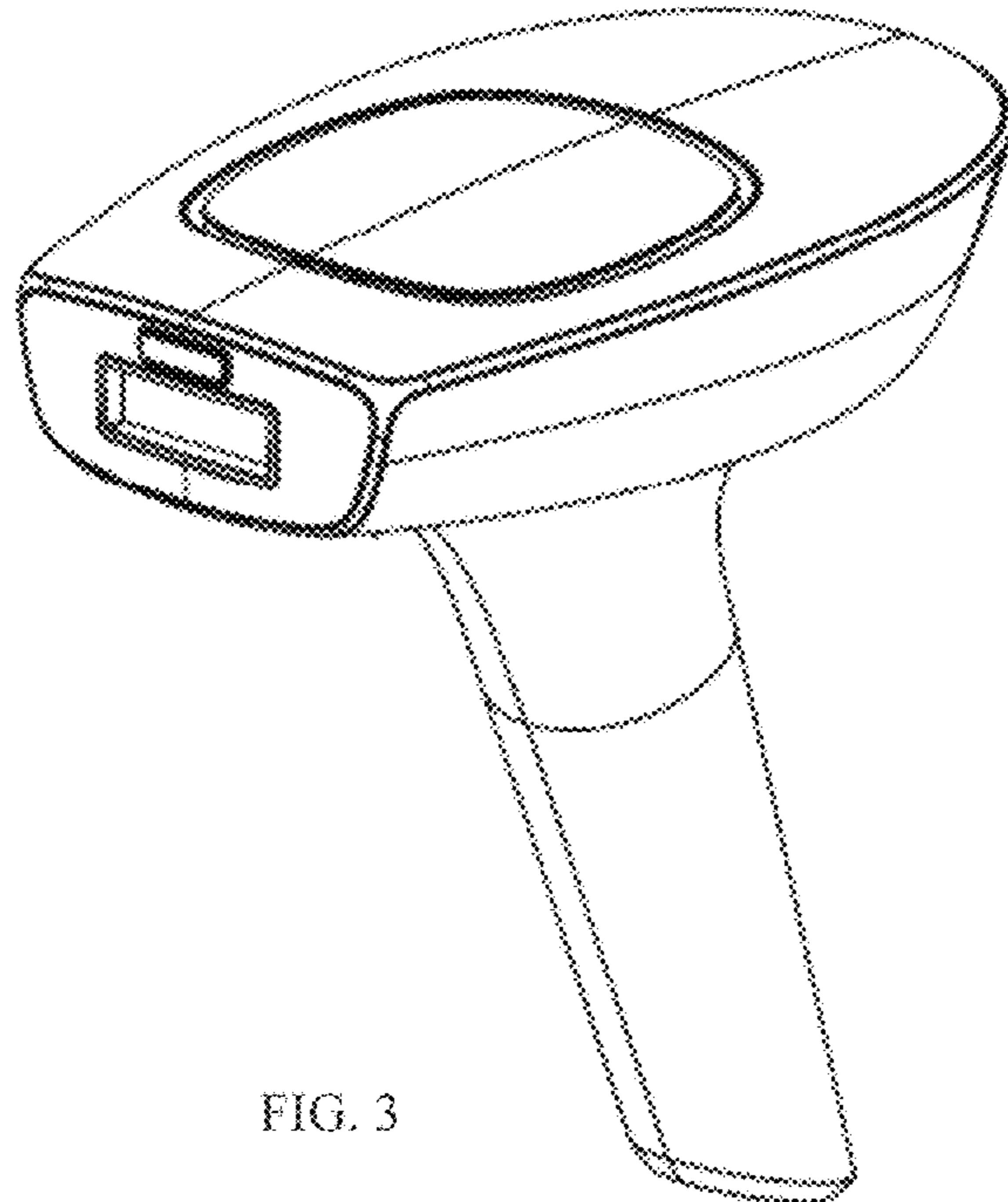


FIG. 3

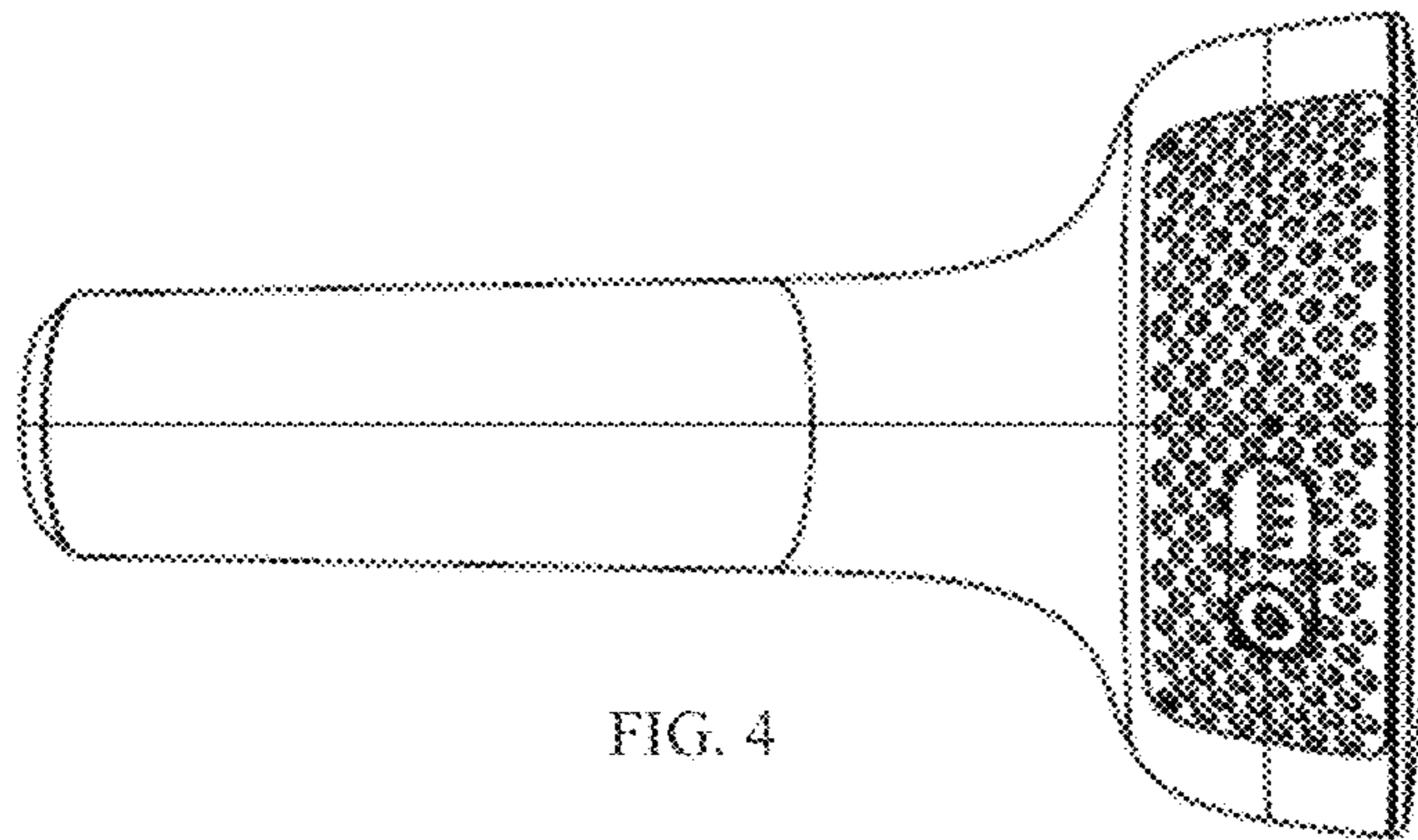


FIG. 4

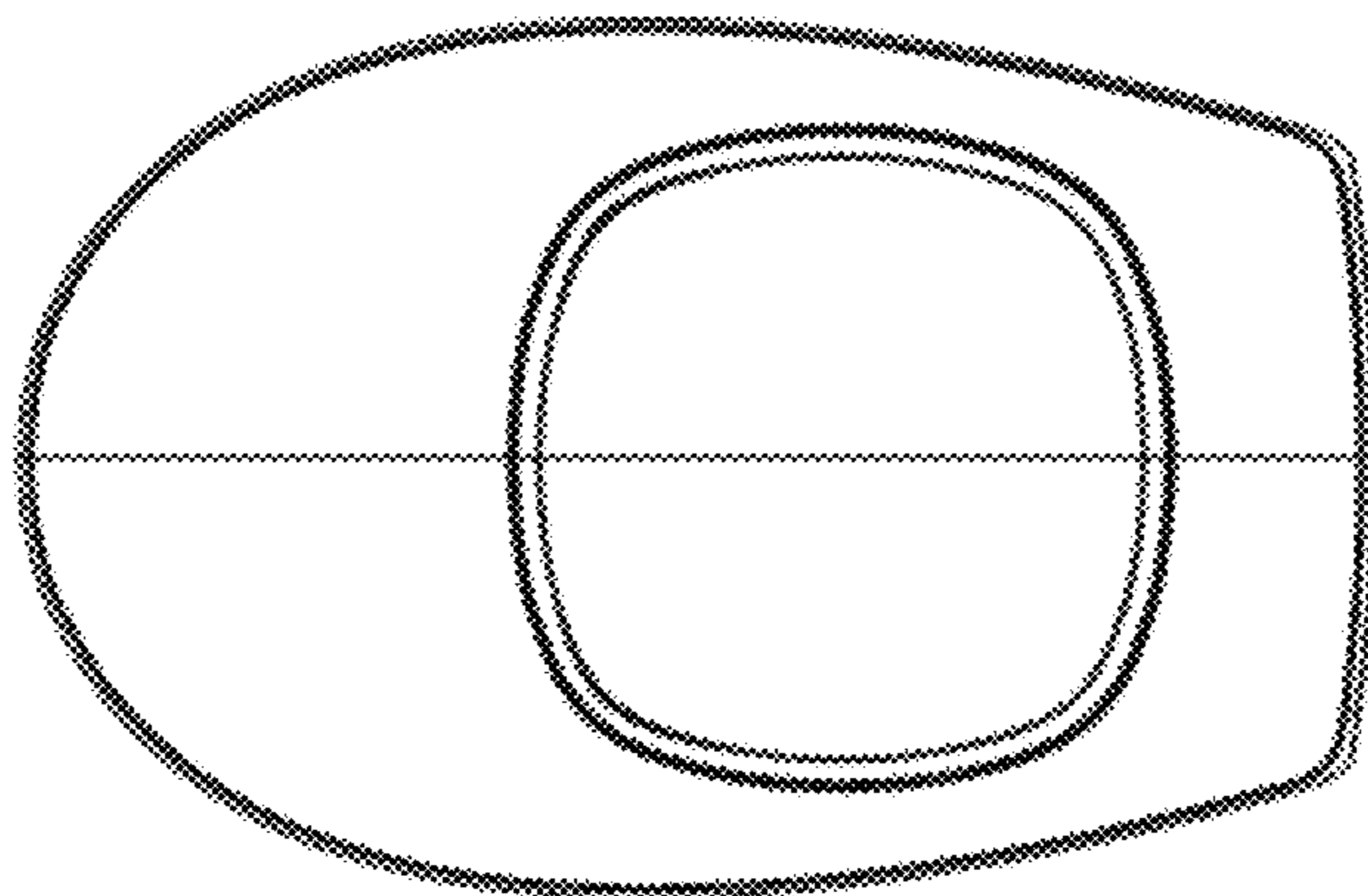


FIG. 5



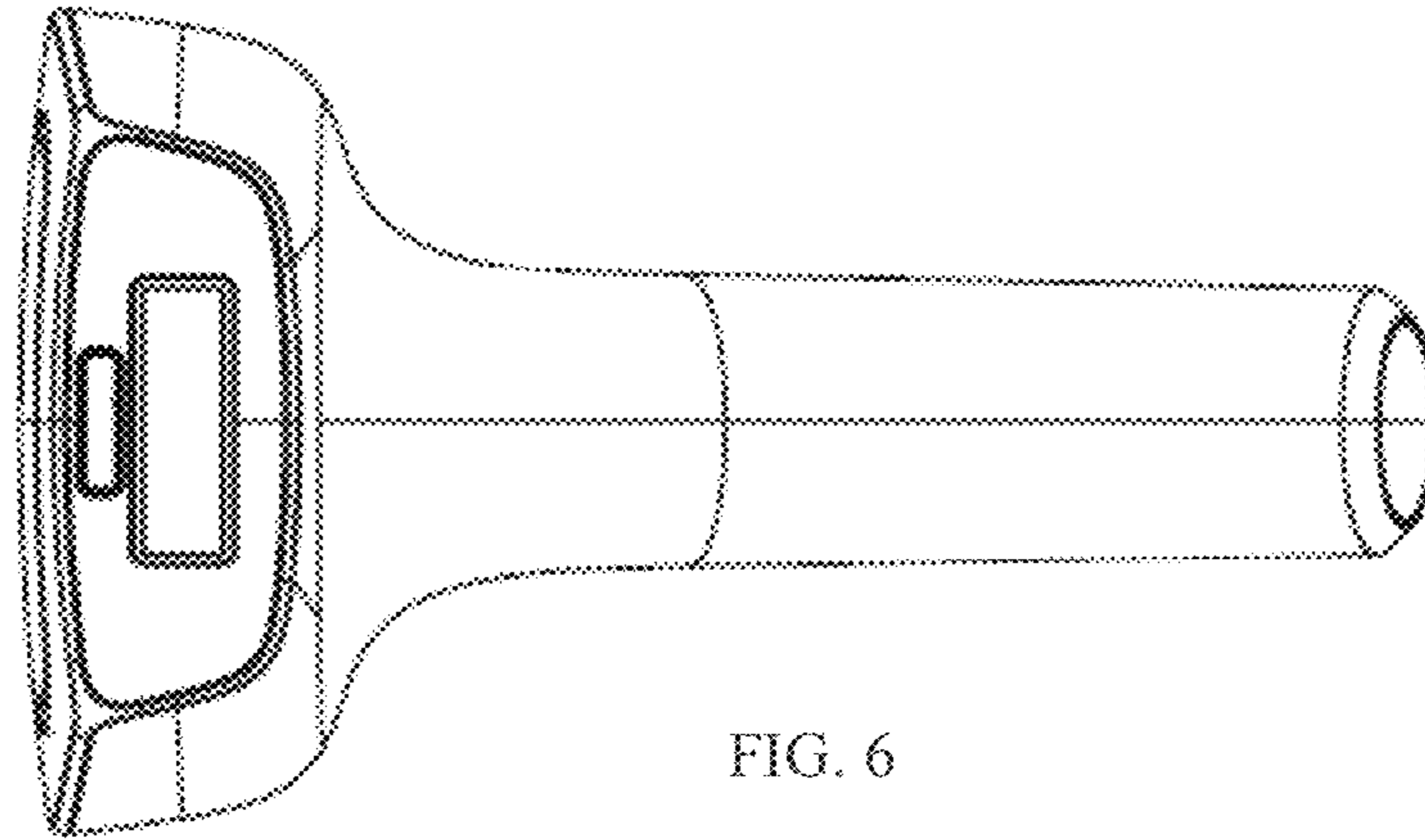


FIG. 6

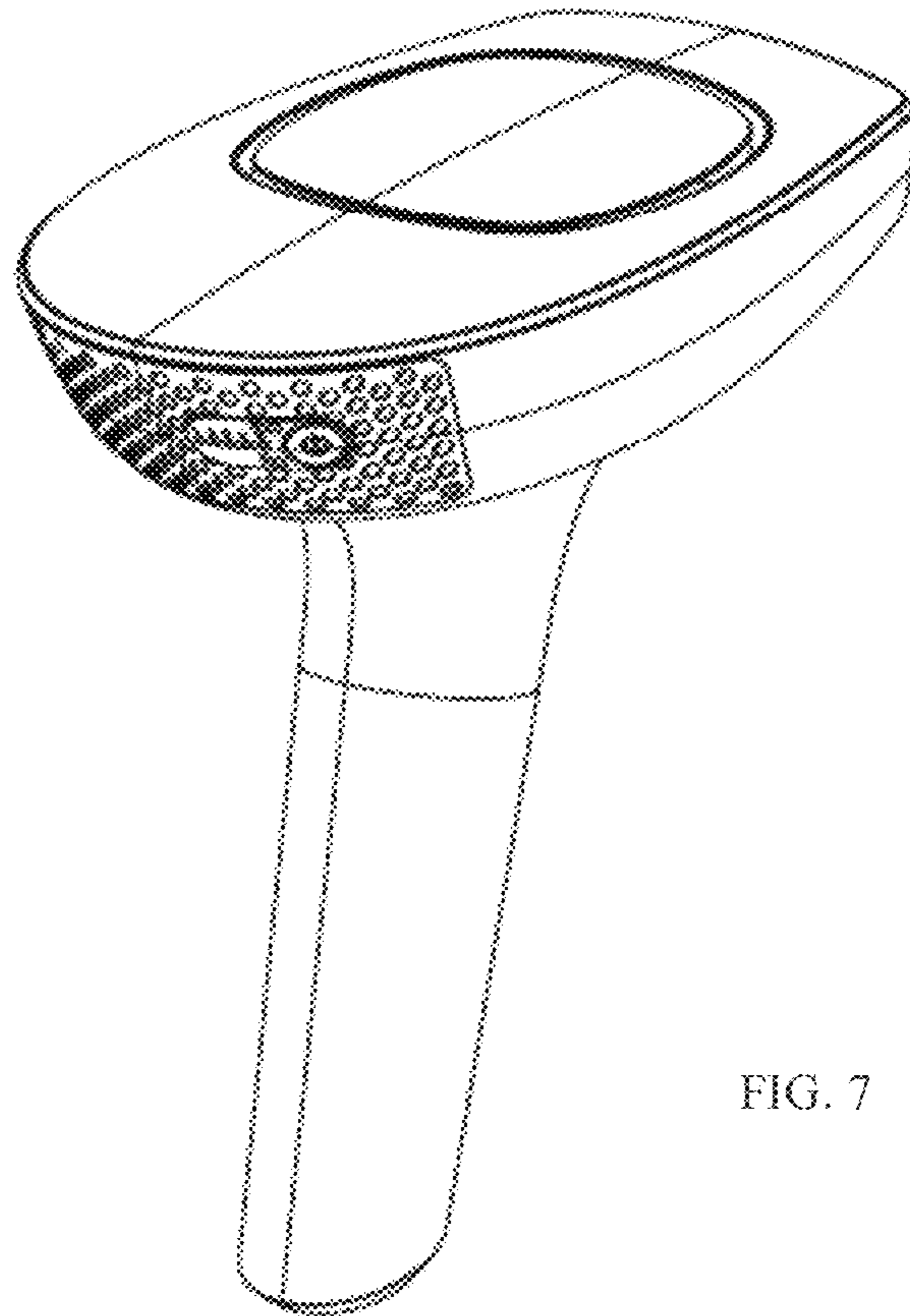


FIG. 7

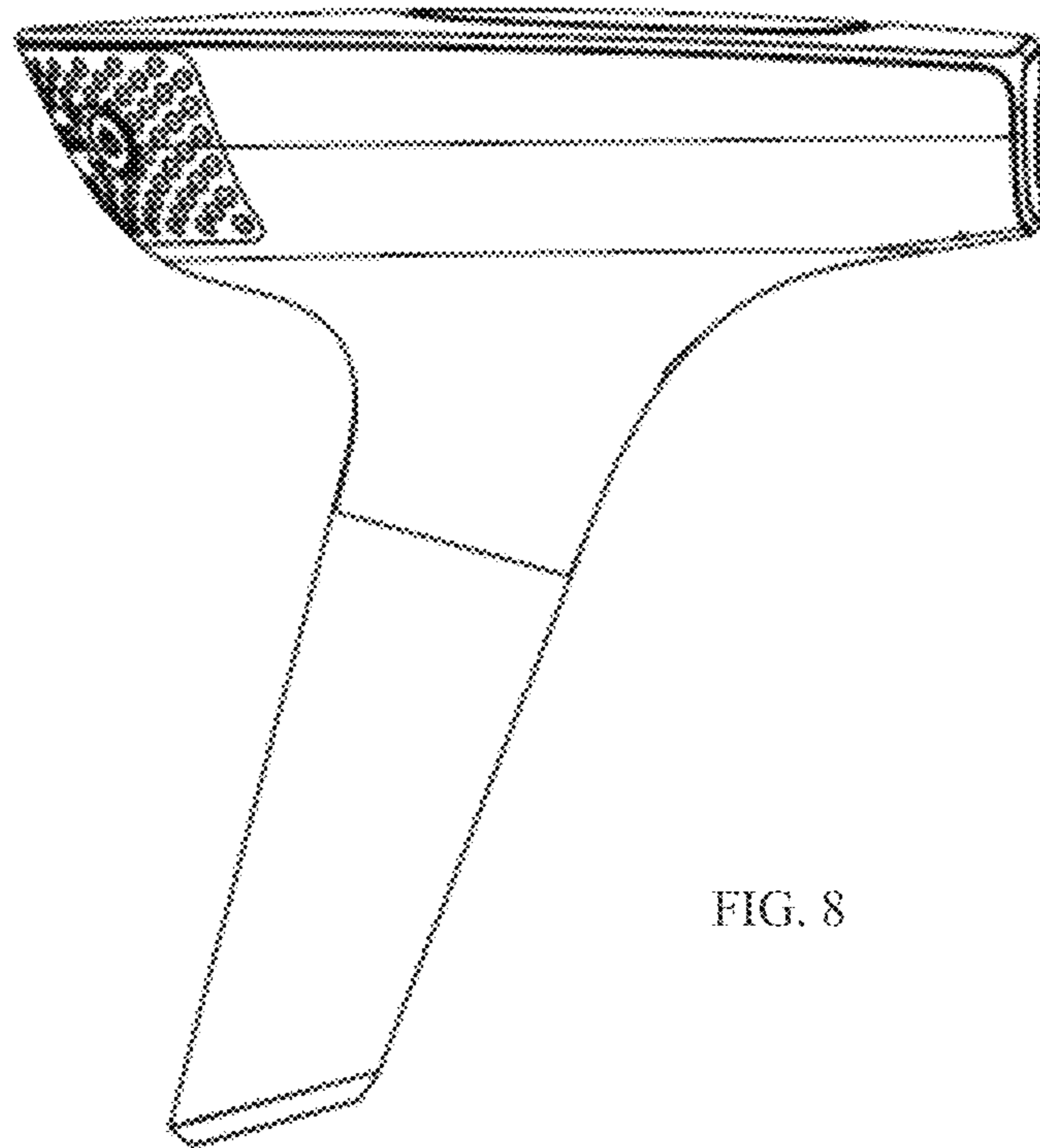


FIG. 8

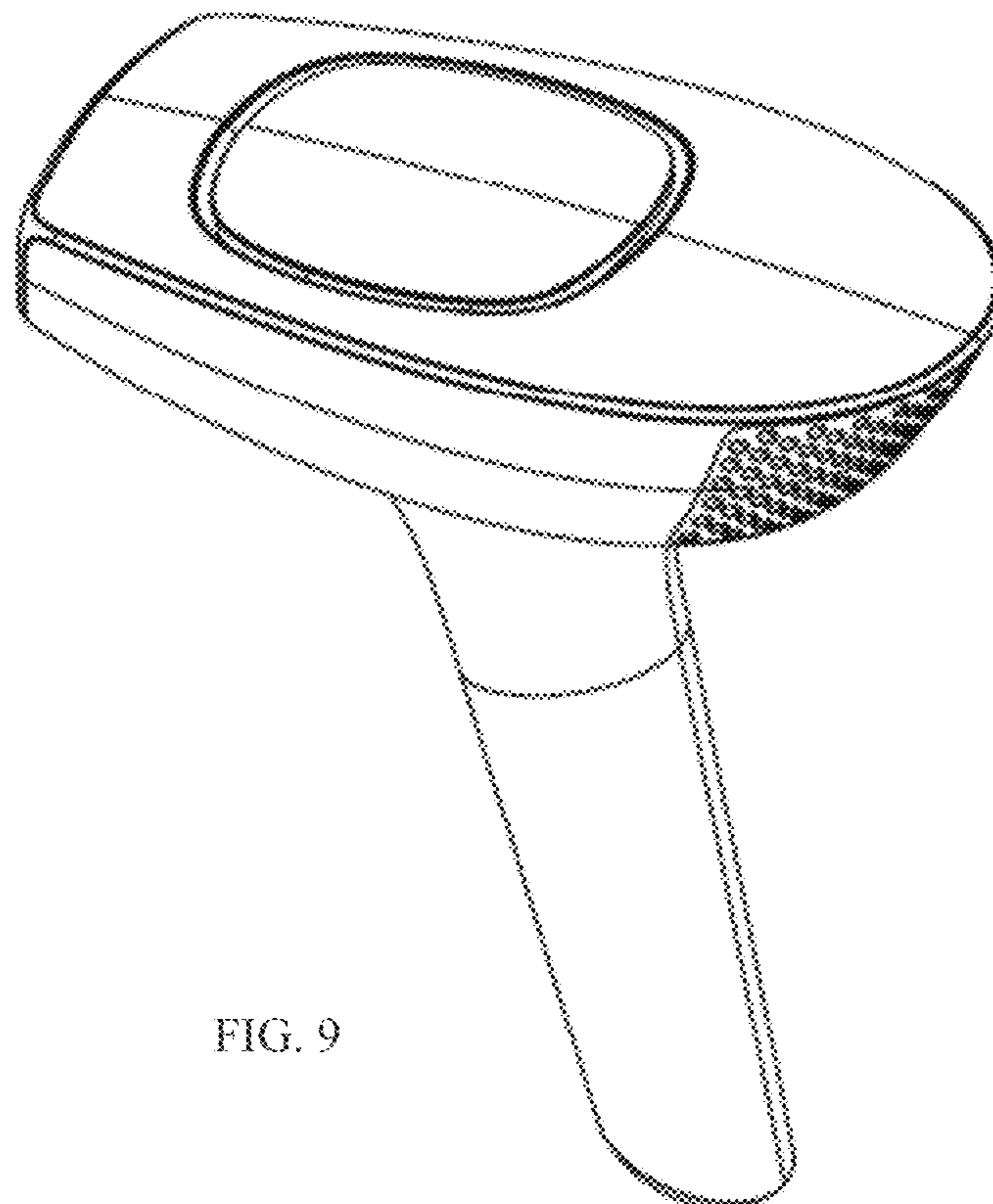


FIG. 9