



US00D844894S

(12) **United States Design Patent**
Gerhards

(10) **Patent No.:** **US D844,894 S**

(45) **Date of Patent:** **** Apr. 2, 2019**

(54) **TABLET**

(71) Applicant: **Henkel AG & Co. KGaA**, Duesseldorf (DE)

(72) Inventor: **Katja Gerhards**, Duesseldorf (DE)

(73) Assignee: **Henkel AG & Co. KGaA** (DE)

(**) Term: **15 Years**

(21) Appl. No.: **29/591,078**

(22) Filed: **Jan. 17, 2017**

(51) **LOC (11) Cl.** **28-03**

(52) **U.S. Cl.**
USPC **D28/8.1**

(58) **Field of Classification Search**
USPC D28/4, 8.1–8.2; D24/100–104
CPC C11D 17/0078; C11D 17/0069; C11D
17/0073; C11D 17/0082; C11D 17/0086;
C11D 17/0091

See application file for complete search history.

(56) **References Cited**

U.S. PATENT DOCUMENTS

D89,350 S *	2/1933	Moshiem	D28/8.1
D260,301 S *	8/1981	O'Connor	D28/8.1
D347,084 S *	5/1994	Crawford	D28/8.1
D349,781 S *	8/1994	Crawford	D28/8.1
D443,108 S *	5/2001	Friesenhahn	D28/8.1

D505,516 S *	5/2005	McLeish	D28/8.1
7,144,851 B2 *	12/2006	Kosub	C11D 17/0078 510/446
D566,893 S *	4/2008	McCarthy	D28/8.1
8,168,581 B2 *	5/2012	Wiedemann	C11D 17/0078 510/224
D768,923 S *	10/2016	Dietvorst	D28/8.1
D812,812 S *	3/2018	Zuckerman	D28/8.1
D814,015 S *	3/2018	Heineck	D24/101
D814,108 S *	3/2018	Zuckerman	D28/8.1

* cited by examiner

Primary Examiner — Jennifer Rivard

(74) *Attorney, Agent, or Firm* — Thomas G. Krivulka

(57) **CLAIM**

I claim the ornamental design for a tablet, as shown and described.

DESCRIPTION

FIG. 1 is a front perspective view of a tablet embodying our new design;

FIG. 2 is a front elevation view thereof;

FIG. 3 is a rear elevation view thereof;

FIG. 4 is a right elevation view thereof;

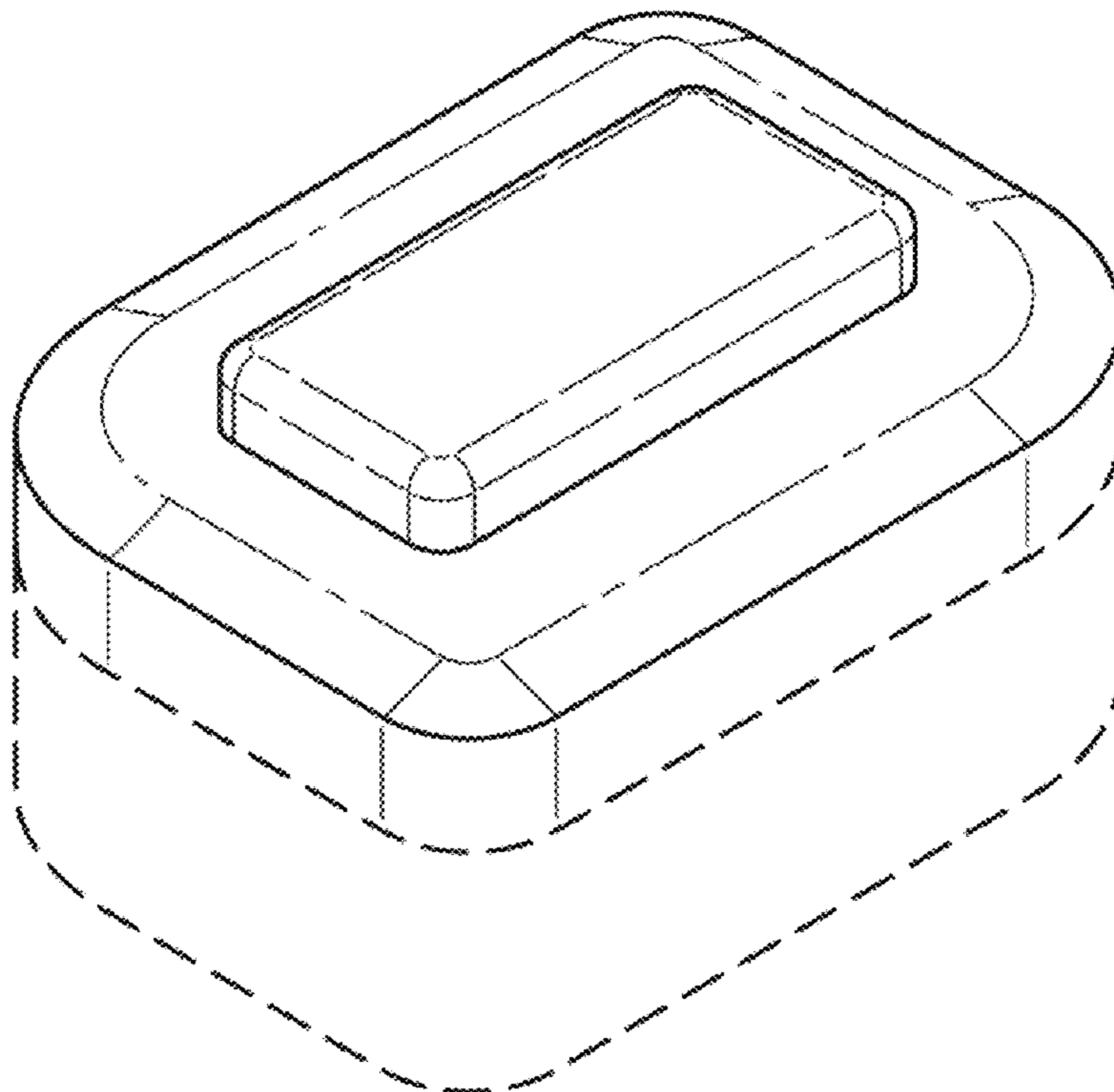
FIG. 5 is a left elevation view thereof;

FIG. 6 is a top plan view thereof; and,

FIG. 7 is a bottom plan view thereof.

The broken lines along the bottom of the tablet illustrate a portion of the design and form no part of the claimed design.

1 Claim, 3 Drawing Sheets



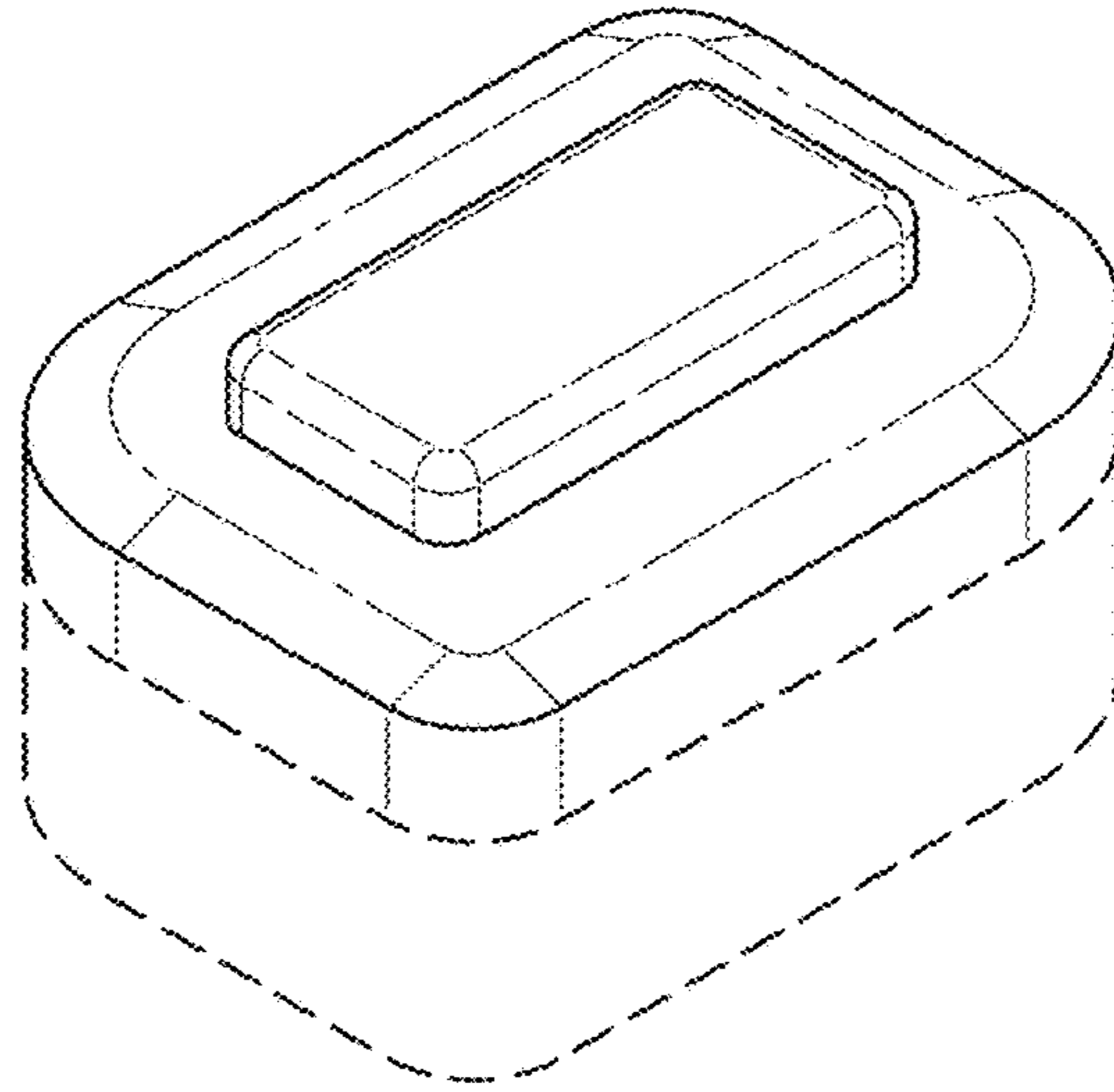


FIG. 1

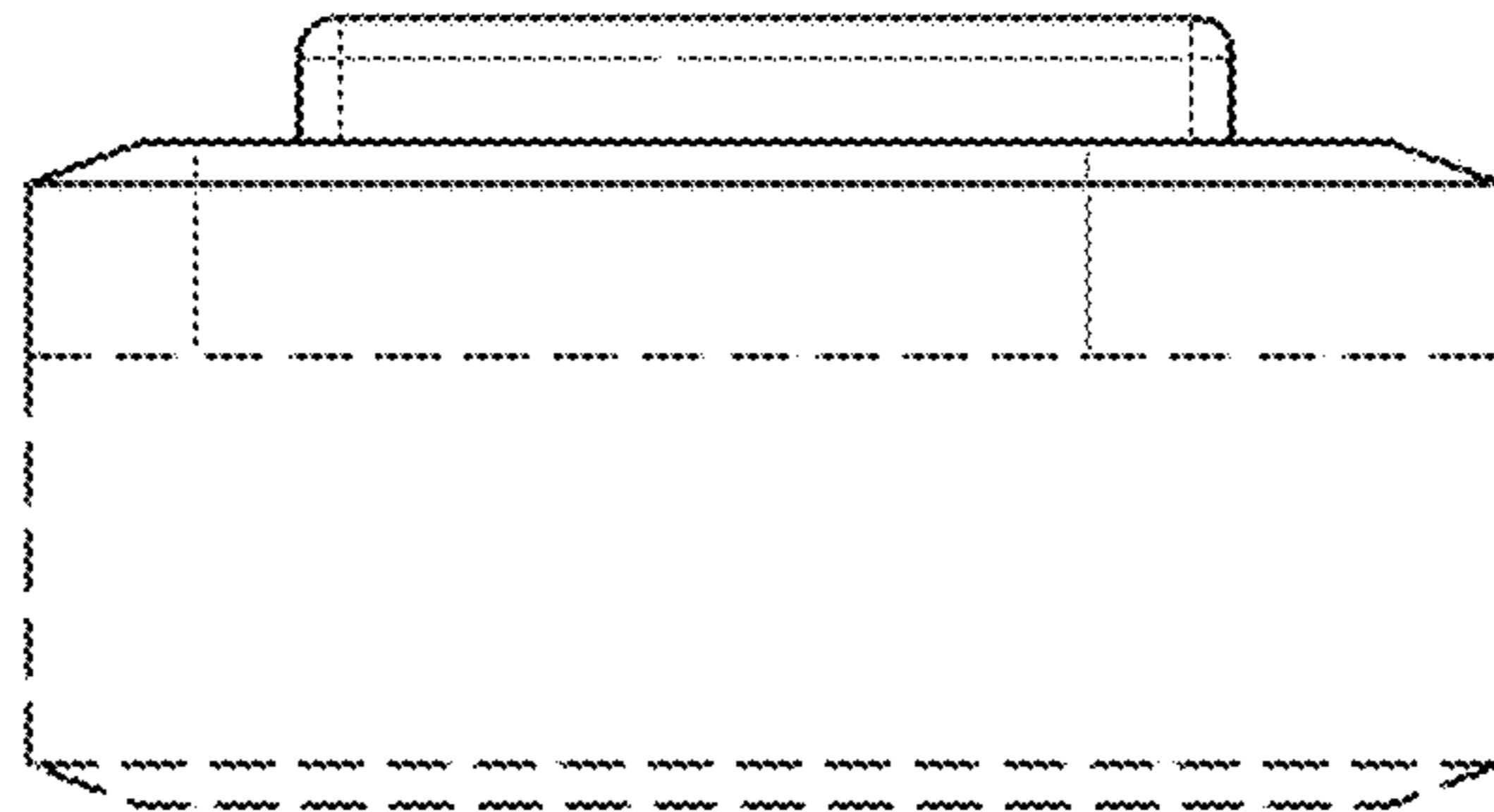


FIG. 2

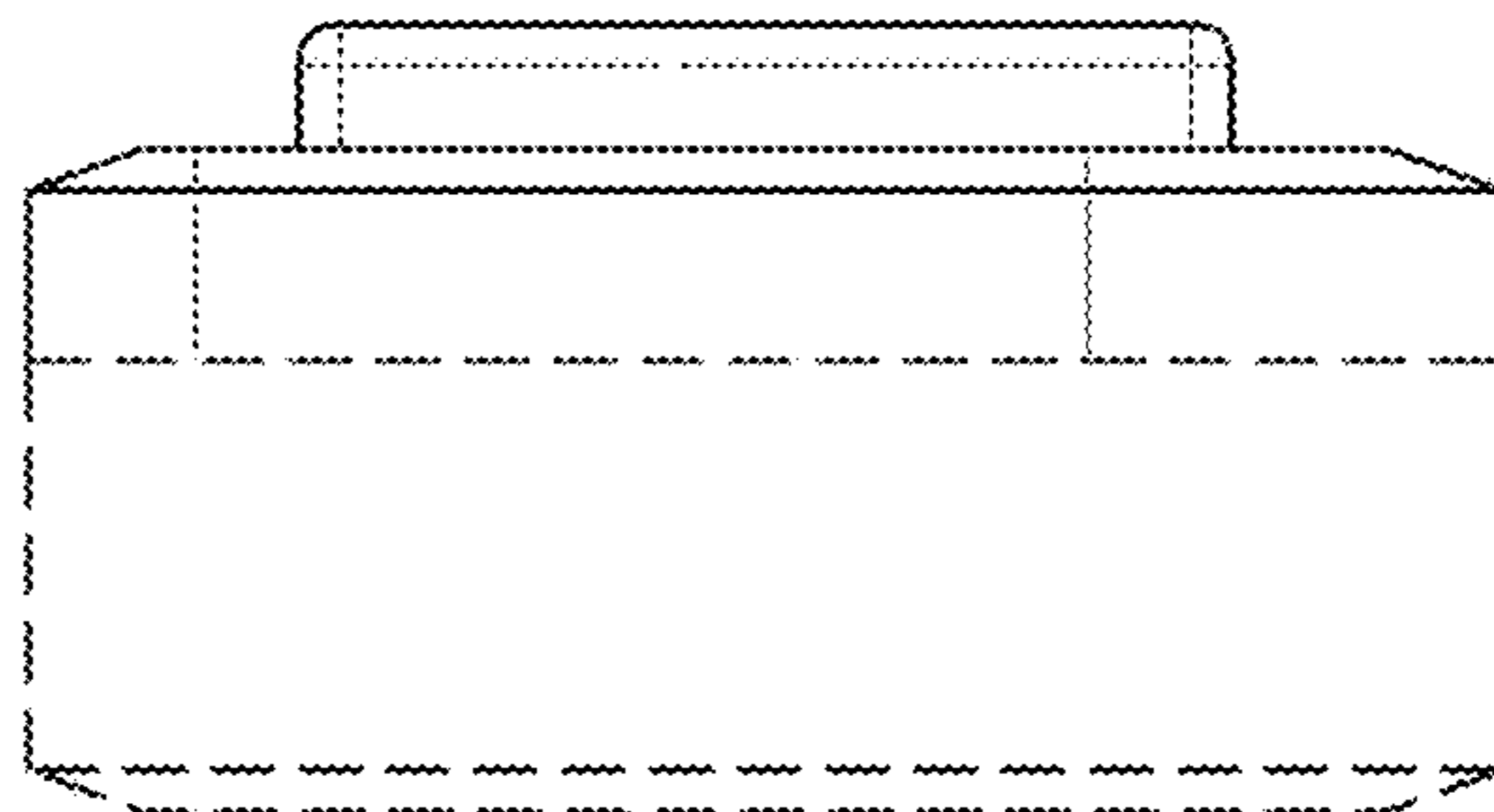


FIG. 3

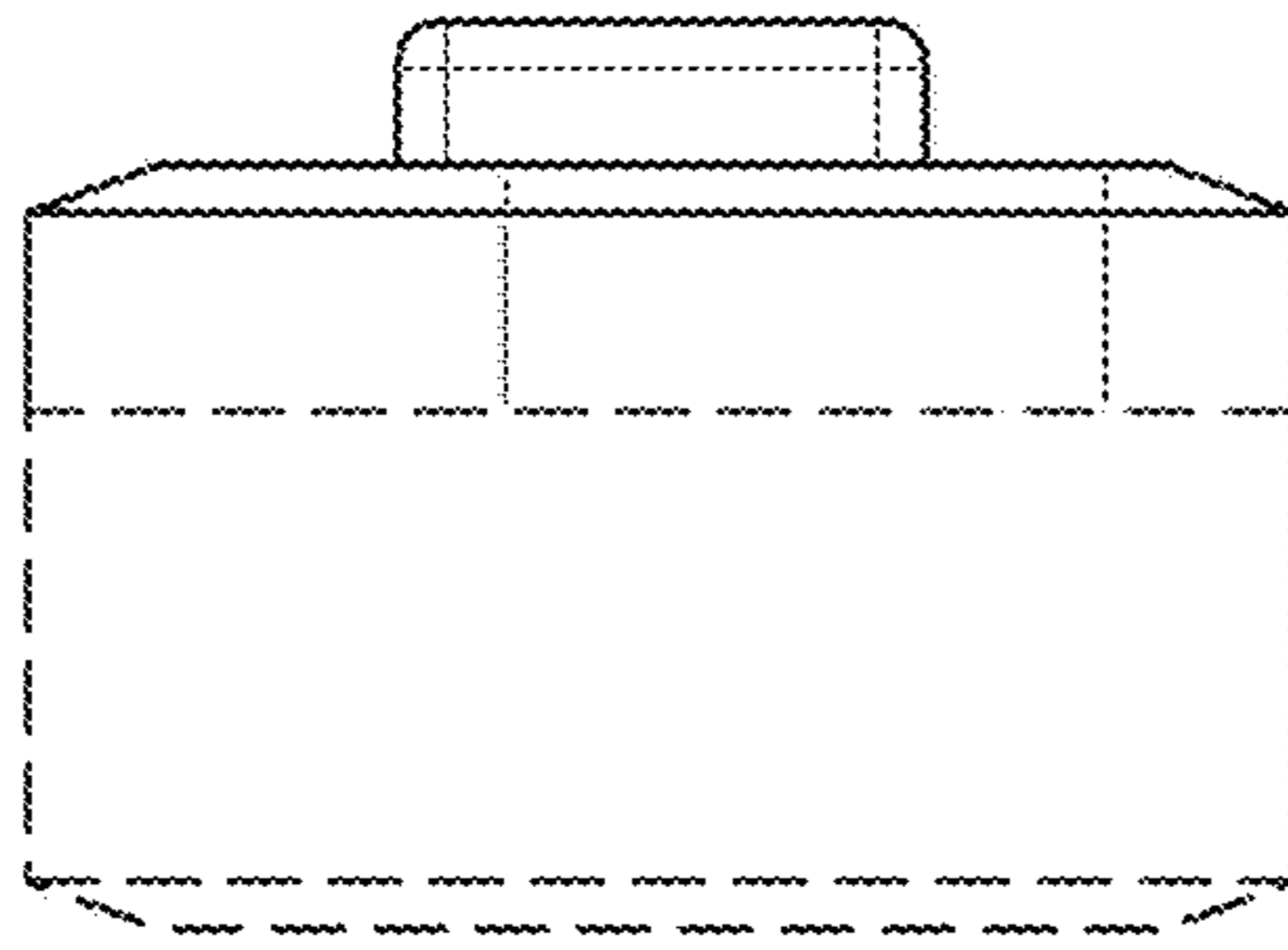


FIG. 4

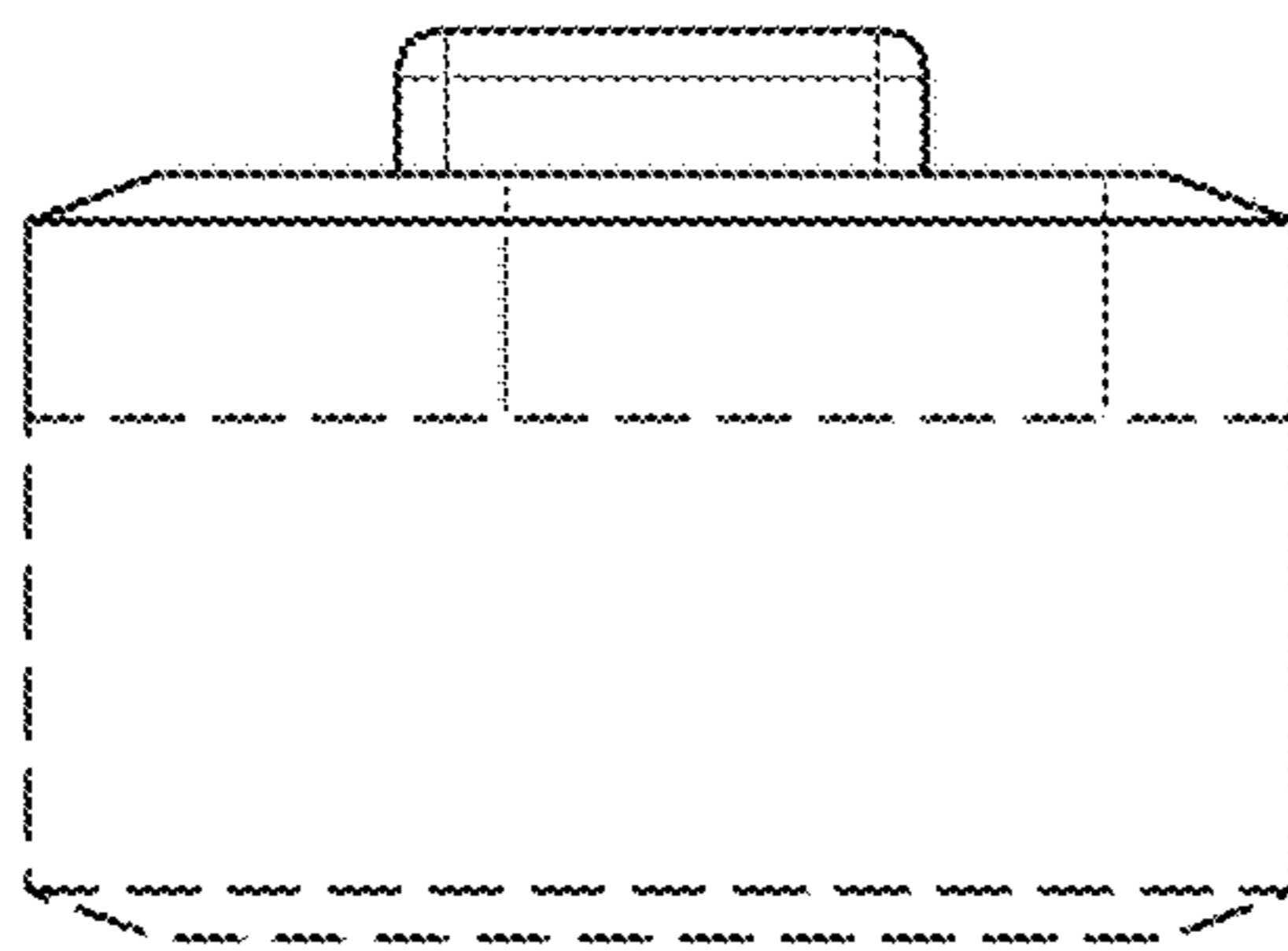


FIG. 5

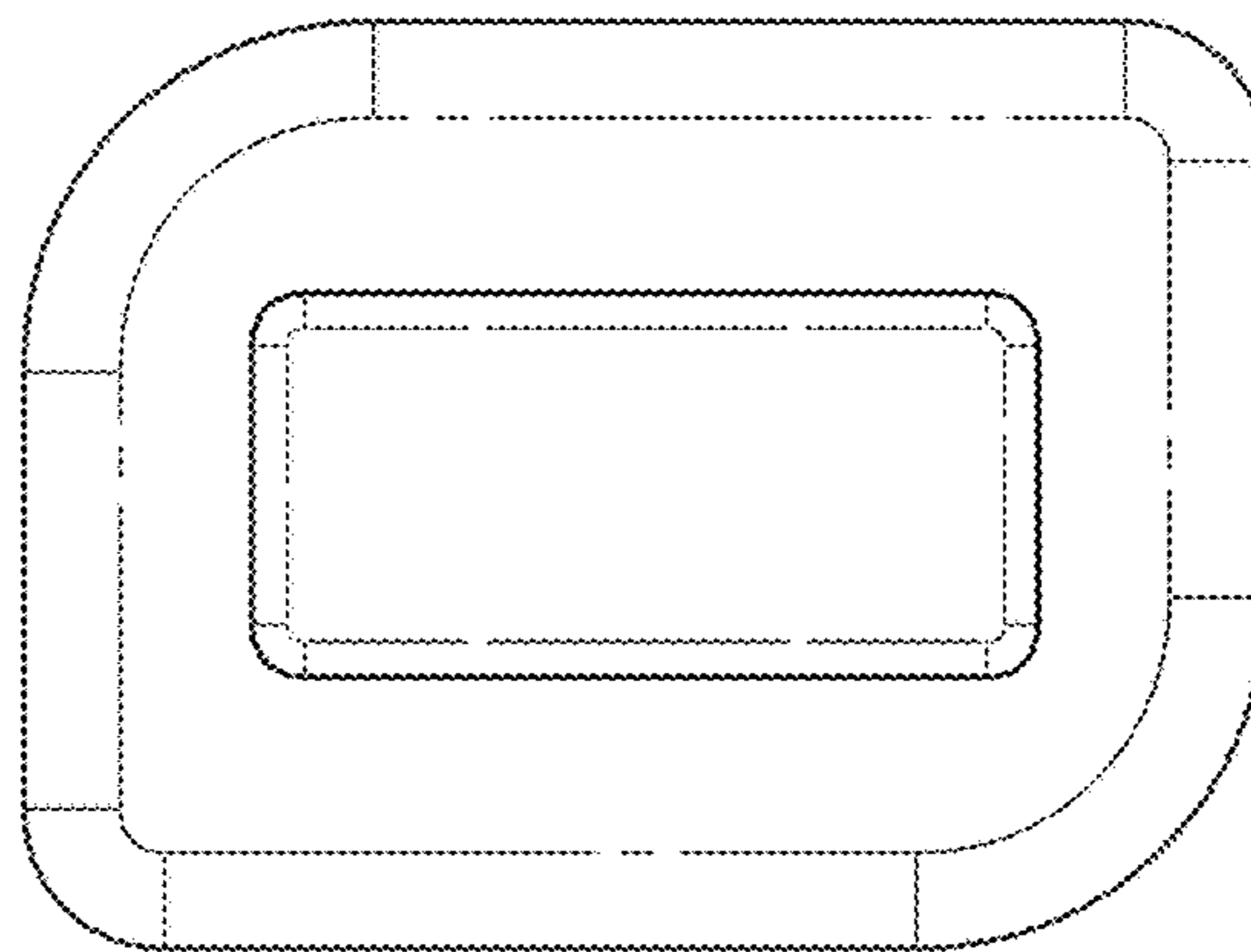


FIG. 6

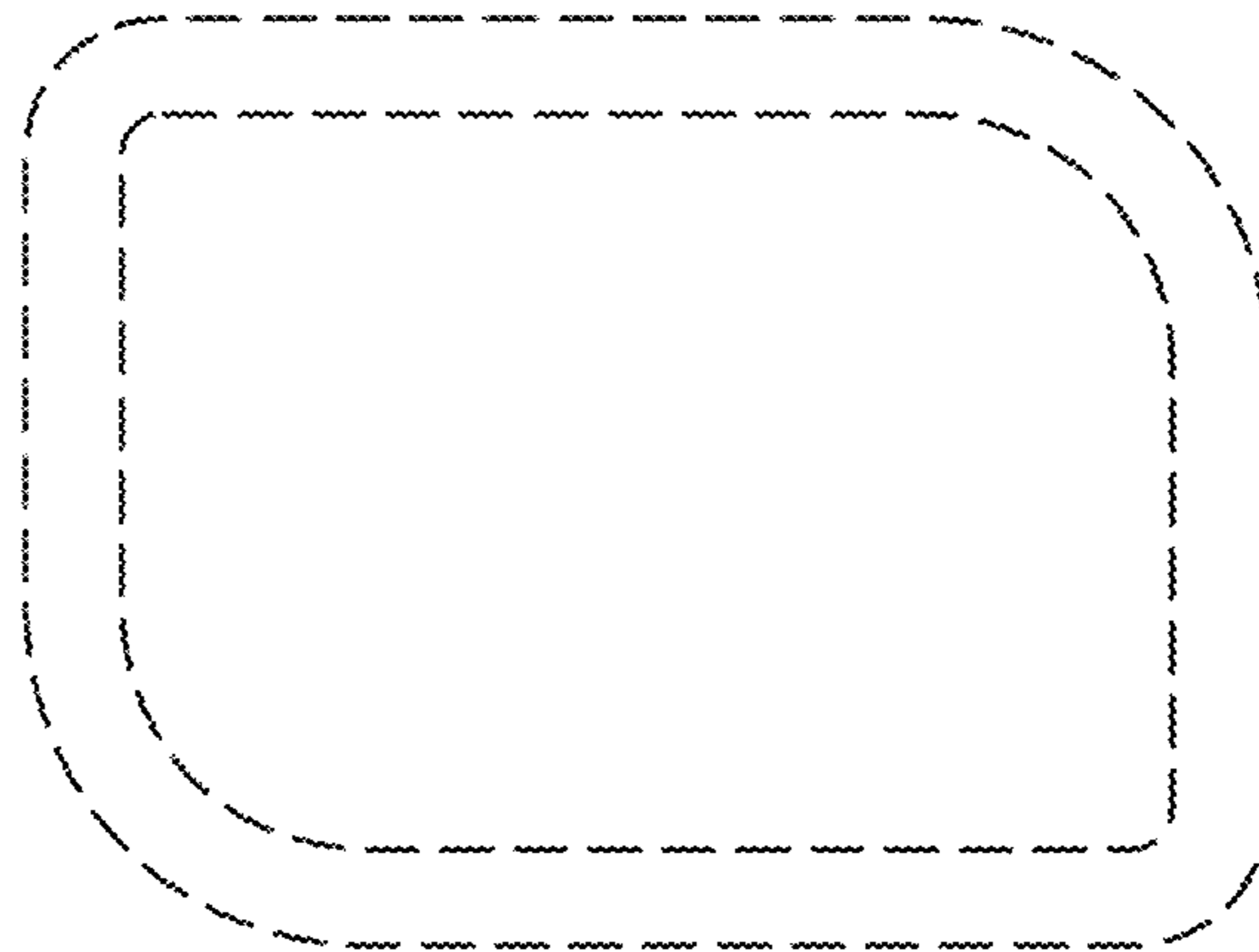


FIG. 7