



US00D844892S

(12) **United States Design Patent**  
**Reaux**

(10) **Patent No.:** **US D844,892 S**

(45) **Date of Patent:** **\*\* Apr. 2, 2019**

- (54) **CANNABIS CONTAINER**
- (71) Applicant: **Brian K. Reaux**, Red Oak, TX (US)
- (72) Inventor: **Brian K. Reaux**, Red Oak, TX (US)
- (\*\*) Term: **15 Years**
- (21) Appl. No.: **29/505,885**
- (22) Filed: **Mar. 28, 2016**
- (51) **LOC (11) Cl.** ..... **27-06**
- (52) **U.S. Cl.**  
USPC ..... **D27/186**
- (58) **Field of Classification Search**  
USPC ..... D9/648, 651, 719, 738, 741, 747, 748,  
D9/749, 756, 757, 759, 760, 763, 772,  
D9/516, 518, 537, 538, 541, 551, 564;  
D27/100, 101, 139-161, 162-196  
CPC ..... A24F 23/00; A24F 23/02; A24F 23/04;  
A24F 15/00; A24F 15/02; A24F 15/04;  
A24F 15/20; A24F 47/008  
See application file for complete search history.

- D392,562 S \* 3/1998 Lo ..... D9/731
- D396,189 S \* 7/1998 Lonczak ..... D9/574
- D401,971 S \* 12/1998 Chang ..... D19/105
- D403,467 S \* 12/1998 Krawec ..... D27/190
- 6,065,592 A \* 5/2000 Wik ..... A24F 15/20  
131/270
- D440,156 S \* 4/2001 Lonczak ..... D7/597
- D440,871 S \* 4/2001 Lo ..... D9/732
- D441,133 S \* 4/2001 Emery ..... D27/189
- D442,330 S \* 5/2001 Cousins ..... D27/173
- D449,404 S \* 10/2001 Emery ..... D27/186
- D473,791 S \* 4/2003 Loris ..... D9/438
- D494,474 S \* 8/2004 Houk ..... D27/190
- D515,943 S \* 2/2006 Hamblin ..... D24/230
- D540,171 S \* 4/2007 Ko ..... D9/503
- D580,275 S \* 11/2008 Burrowes ..... D9/731
- D587,136 S \* 2/2009 Friebe ..... D9/772
- D608,048 S \* 1/2010 Parsons ..... B65D 5/0209  
D27/186
- D651,508 S \* 1/2012 Layfield ..... D9/416
- D670,178 S \* 11/2012 Carson ..... D9/416

(Continued)

Primary Examiner — Marissa J Cash

(56) **References Cited**

U.S. PATENT DOCUMENTS

- 203,164 A \* 4/1878 Kinney ..... A24D 1/16  
131/107
- 1,791,417 A \* 2/1931 Lilienfield ..... A24F 15/02  
206/256
- D112,280 S \* 11/1938 Dunberg ..... 312/31.1
- D119,659 S \* 3/1940 Most et al. .... D27/188
- D125,122 S \* 2/1941 Urben ..... 131/187
- D142,559 S \* 10/1945 Herzog ..... 131/47
- 3,451,533 A \* 6/1969 Butler ..... A24F 15/18  
206/246
- D223,420 S \* 4/1972 Tanaka ..... D27/184
- D223,879 S \* 6/1972 Chernack ..... D27/194
- D259,403 S \* 6/1981 Frazier, Jr. .... 220/254.3
- 5,352,465 A \* 10/1994 Gondek ..... B65D 81/3453  
219/730
- D372,867 S \* 8/1996 Lambelet, Jr. .... D9/456

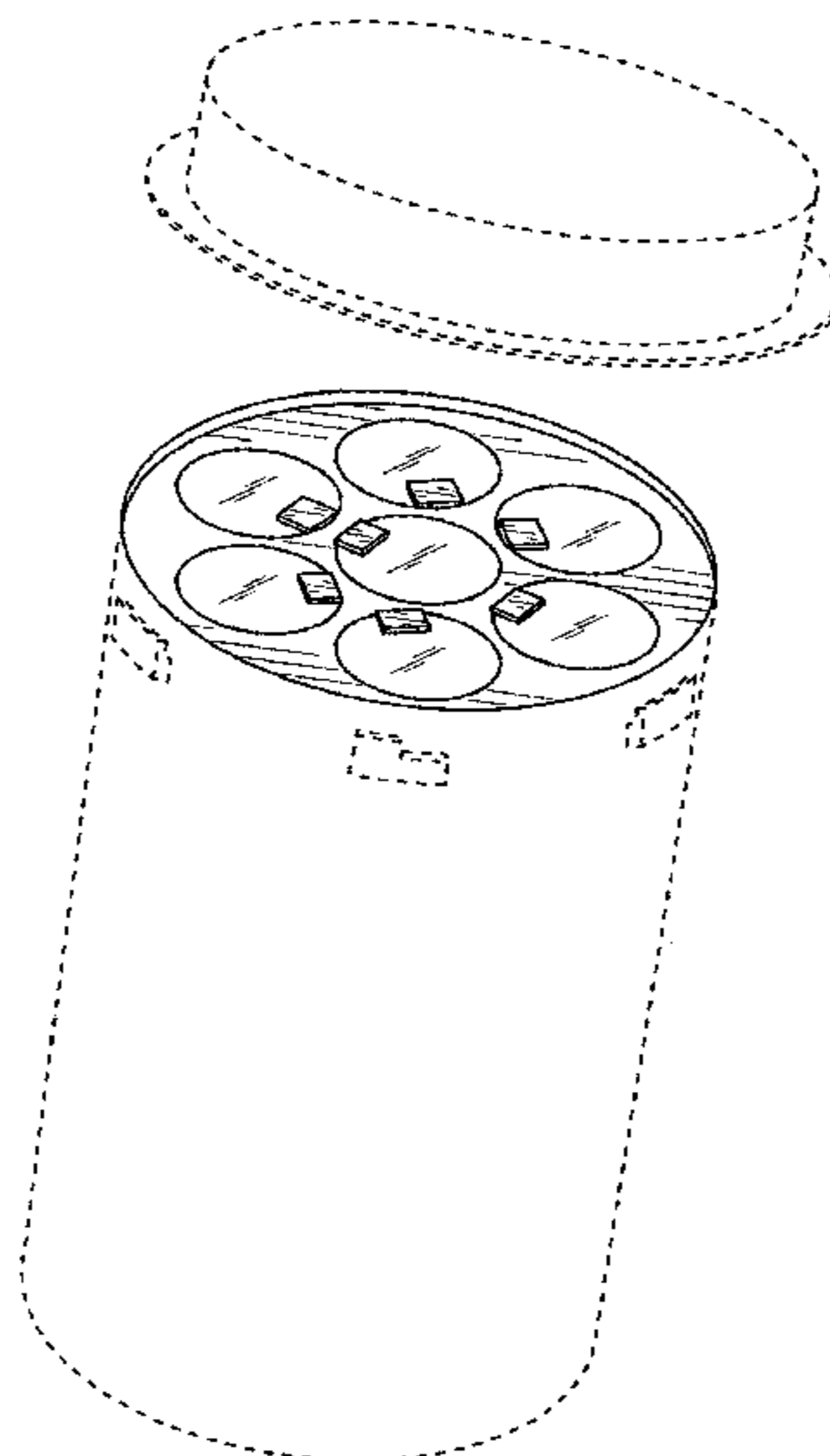
(57) **CLAIM**

The ornamental design for a cannabis container, as shown and described.

**DESCRIPTION**

FIG. 1 is a top perspective view showing the cannabis container with the lid removed in exploded view;  
 FIG. 2 is a bottom view thereof;  
 FIG. 3 is a front view thereof; with the lid in exploded view;  
 and,  
 FIG. 4 is a perspective view showing the cannabis container with the lid removed and the center compartment in slightly opened position.  
 The broken lines depict parts of the cannabis container and form no part of the claimed design.

**1 Claim, 4 Drawing Sheets**



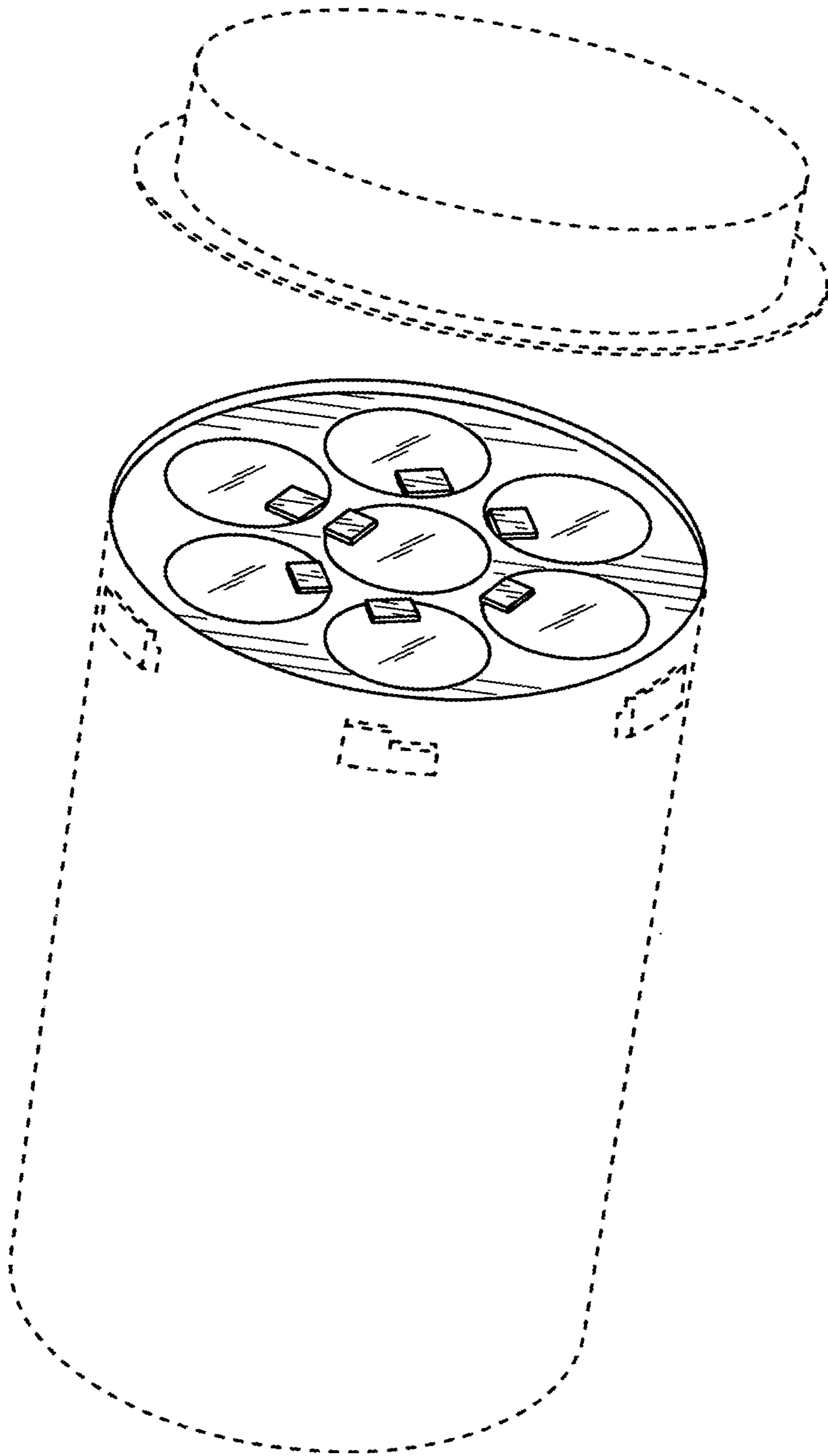
(56)

References Cited

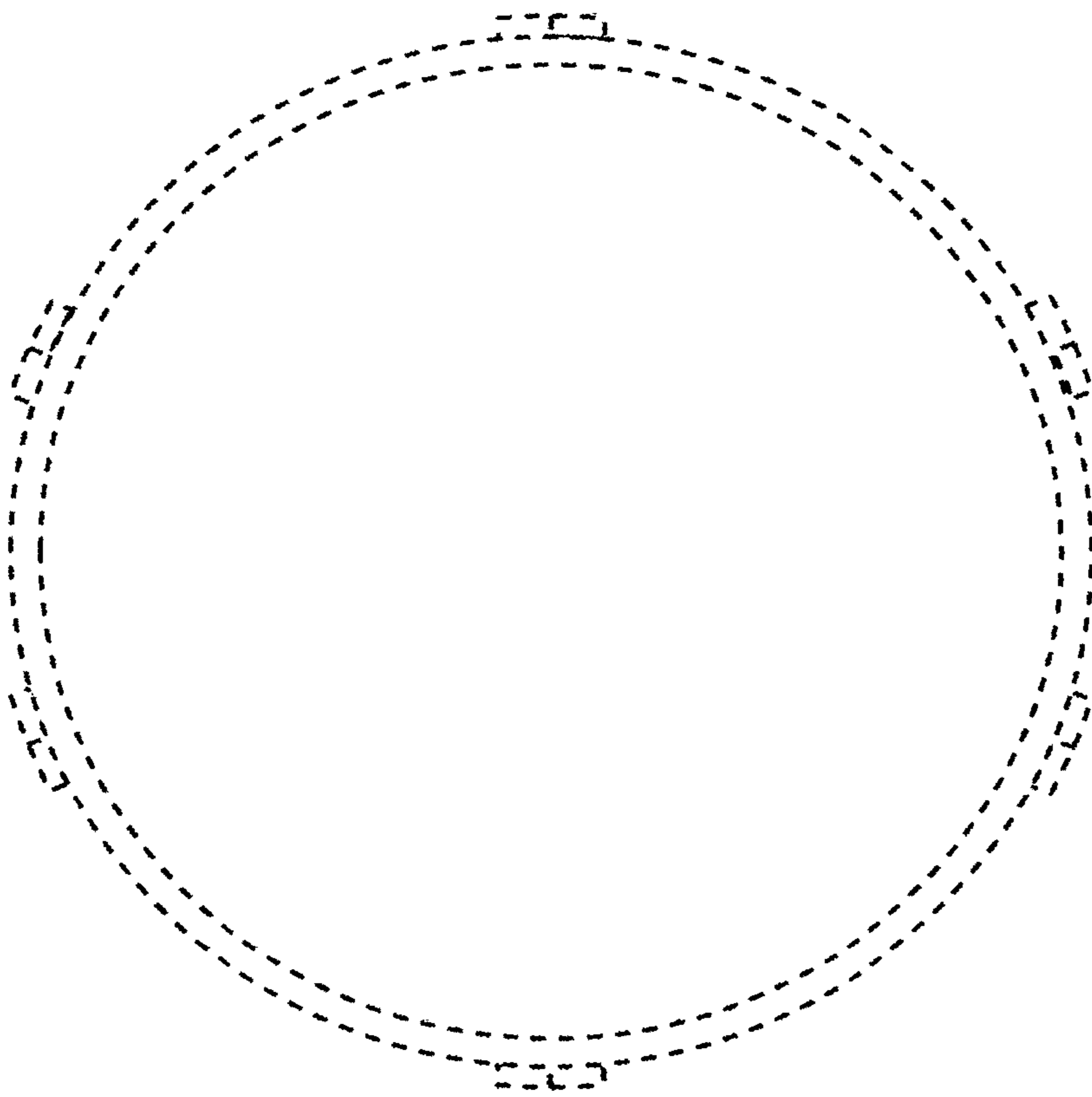
U.S. PATENT DOCUMENTS

D670,858 S *	11/2012	Fakhouri .....	D27/189	D738,567 S *	9/2015	Tucker .....	D27/101
D671,414 S *	11/2012	Teitelbaum .....	D9/450	D744,160 S *	11/2015	Neias .....	D27/193
D683,497 S *	5/2013	Ghiotti .....	D27/186	D745,738 S *	12/2015	Abdelmaseh .....	D27/162
D683,498 S *	5/2013	Ghiotti .....	D27/186	D745,739 S *	12/2015	Abadi .....	D27/162
D687,294 S *	8/2013	Green .....	D9/416	D748,323 S *	1/2016	Tucker .....	D27/101
D690,603 S *	10/2013	Macaulay .....	D9/516	D748,329 S *	1/2016	Bagai .....	D27/186
D696,593 S *	12/2013	Farrow .....	D9/772	D782,108 S *	3/2017	Jordan .....	D27/167
D697,400 S *	1/2014	Bragalone .....	D9/416	9,648,908 B1 *	5/2017	Rinehart .....	A24F 47/00
D697,802 S *	1/2014	Lane .....	D9/500	9,681,688 B1 *	6/2017	Rinehart .....	A61M 15/06
D698,247 S *	1/2014	Macaulay .....	D9/516	D798,739 S *	10/2017	Reaux .....	D9/756
D699,595 S *	2/2014	Farrow .....	D9/772	2002/0108880 A1 *	8/2002	Krupa .....	B65D 5/5038
D701,121 S *	3/2014	McGeough .....	D9/438				206/497
8,763,799 B2 *	7/2014	Haidar .....	A24F 23/00	2013/0192623 A1 *	8/2013	Tucker .....	H01C 17/00
			131/173				131/329
D713,598 S *	9/2014	Ghiotti .....	D27/186	2014/0363314 A1 *	12/2014	Jiang .....	H02K 1/278
D723,732 S *	3/2015	Alima .....	D27/167				417/84
D726,366 S *	4/2015	Kirakosian .....	D27/162	2016/0044964 A1 *	2/2016	Liu .....	A24F 47/008
D733,314 S *	6/2015	Lui .....	D24/227				392/398
D737,504 S *	8/2015	Chen .....	D27/183	2016/0324297 A1 *	11/2016	Moore .....	A45D 40/24
				2017/0188631 A1 *	7/2017	Lin .....	A24F 47/008
				2017/0229885 A1 *	8/2017	Bernauer .....	H02J 7/0031

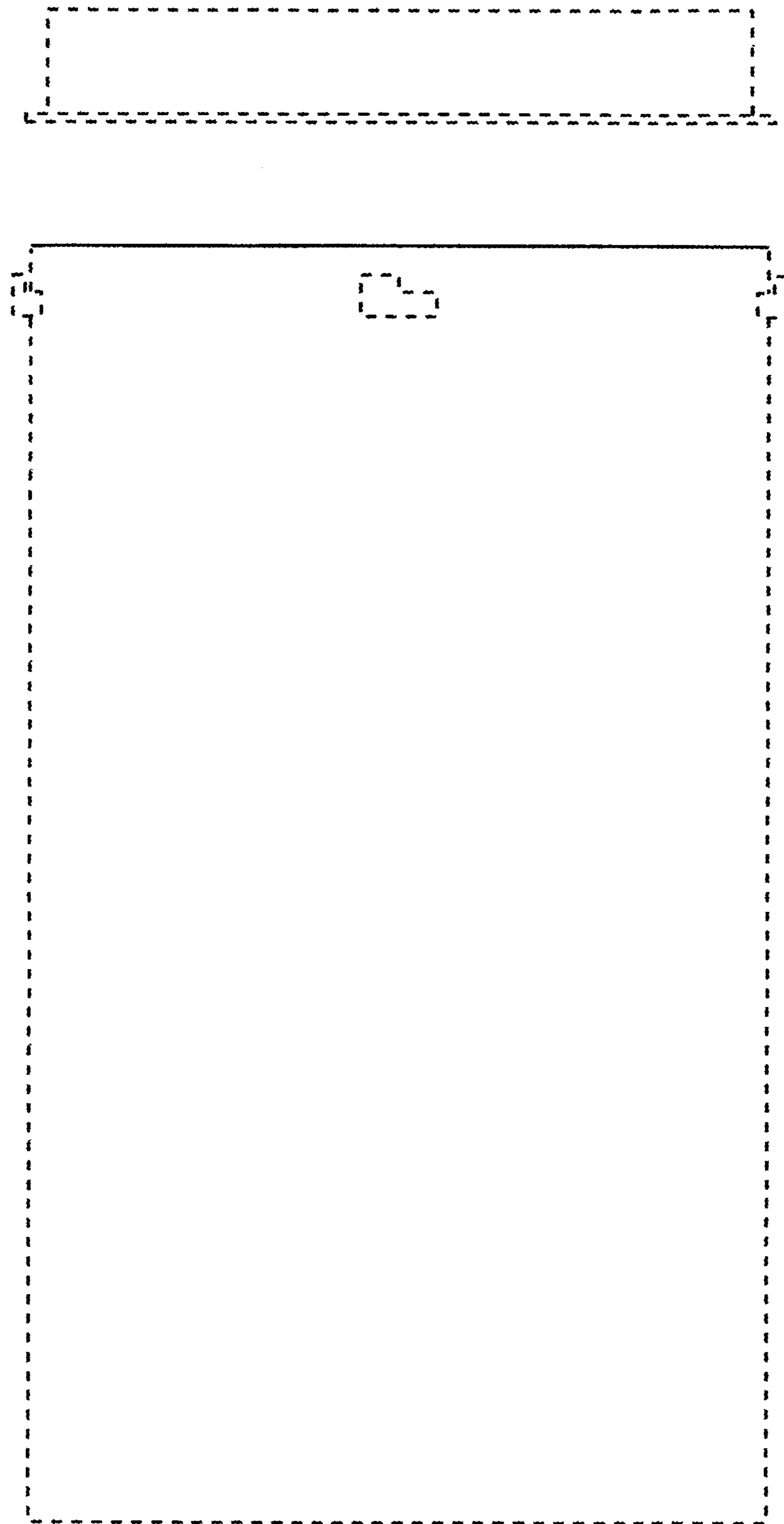
\* cited by examiner



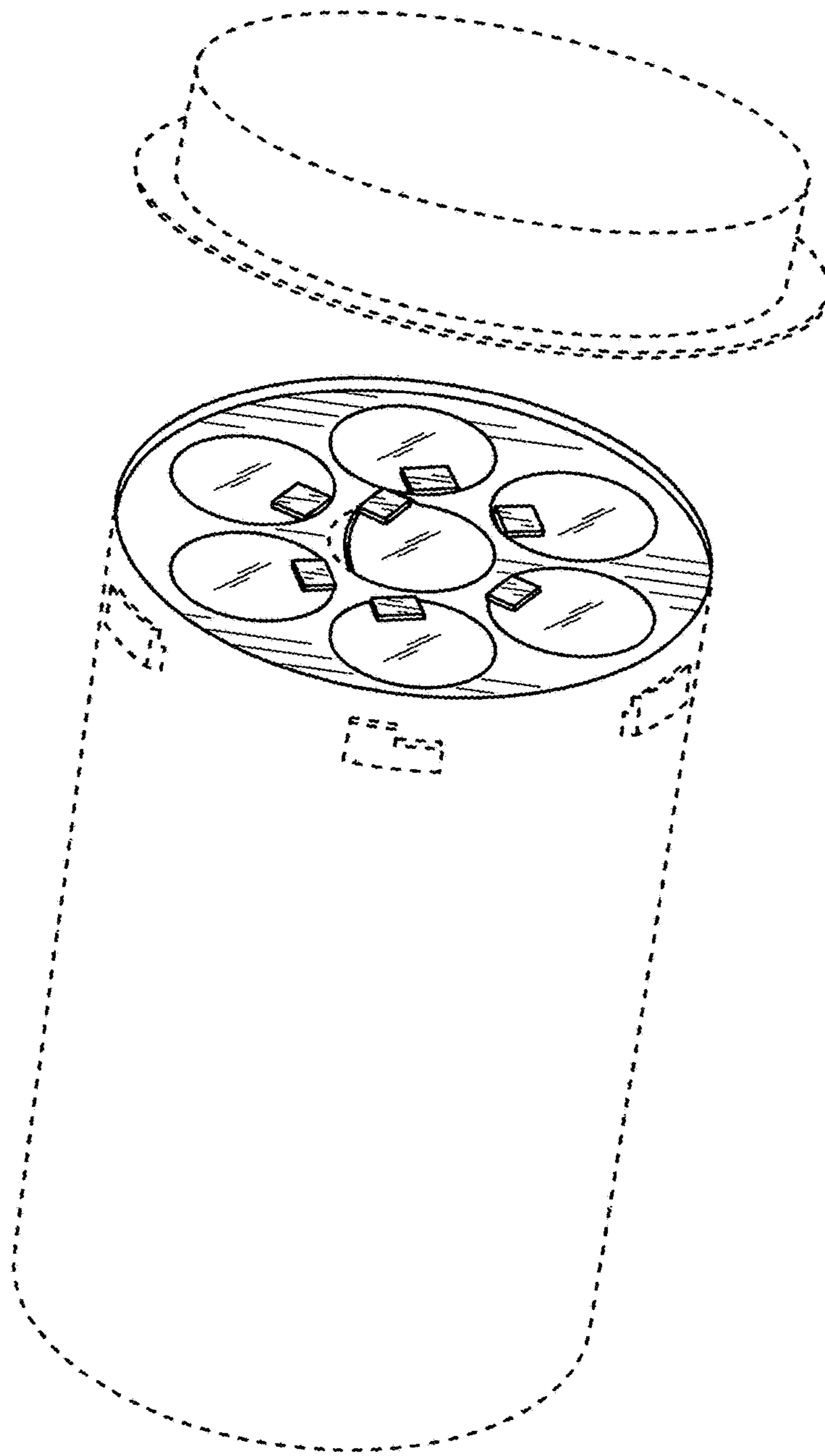
**FIG. 1**



**FIG. 2**



**FIG. 3**



**FIG. 4**