



US00D844890S

(12) **United States Design Patent**
Schwartz

(10) **Patent No.:** **US D844,890 S**

(45) **Date of Patent:** **** Apr. 2, 2019**

(54) **DEVICE FOR SMOKING OR VAPORIZING**

(71) Applicant: **YETS Innovations, Inc.**, Chicago, IL
(US)

(72) Inventor: **Yitzchok Moshe Schwartz**, Chicago,
IL (US)

(73) Assignee: **YETS Innovations, Inc.**, Chicago, IL
(US)

(**) Term: **15 Years**

(21) Appl. No.: **29/621,622**

(22) Filed: **Oct. 10, 2017**

Related U.S. Application Data

(63) Continuation-in-part of application No. 15/702,468,
filed on Sep. 12, 2017.

(51) **LOC (11) Cl.** **27-01**

(52) **U.S. Cl.**
USPC **D27/101**

(58) **Field of Classification Search**
USPC D27/100, 101, 162, 163-194;
D19/115-123, 161-169; D24/110;
D23/366; D13/108
CPC A24F 47/008; A24F 47/002; A24F 7/02;
A61M 15/06
See application file for complete search history.

(56) **References Cited**

U.S. PATENT DOCUMENTS

- D346,878 S * 5/1994 Gee D27/194
- D347,490 S * 5/1994 Gee D27/194
- D368,552 S * 4/1996 Adams D27/194
- 5,666,977 A * 9/1997 Higgins A24F 47/008
128/200.14
- D406,387 S * 3/1999 Smithey D27/183
- D433,532 S * 11/2000 Higgins D27/186
- D518,569 S * 4/2006 Nishibayashi D24/110

- D546,939 S * 7/2007 Collins D24/110
- D546,940 S * 7/2007 Collins D24/110
- D579,544 S * 10/2008 Birath D24/110
- D590,990 S * 4/2009 Hon D27/101
- D590,991 S * 4/2009 Hon D27/101
- D649,708 S * 11/2011 Oneil D27/163
- D653,803 S 2/2012 Timmermans
- D684,311 S 6/2013 Liu
- 8,733,345 B2 5/2014 Siller
- 8,794,231 B2 8/2014 Thorens et al.

(Continued)

OTHER PUBLICATIONS

DabaToke on MegaToke by Yets Innovations Inc. dated 2018. found
online [Aug. 1, 2018] <https://megatoke.com/product/new-product-dabatoke-model-3-0-by-megatoke/>.*

(Continued)

Primary Examiner — Marissa J Cash

(74) *Attorney, Agent, or Firm* — Brian Roffe

(57) **CLAIM**

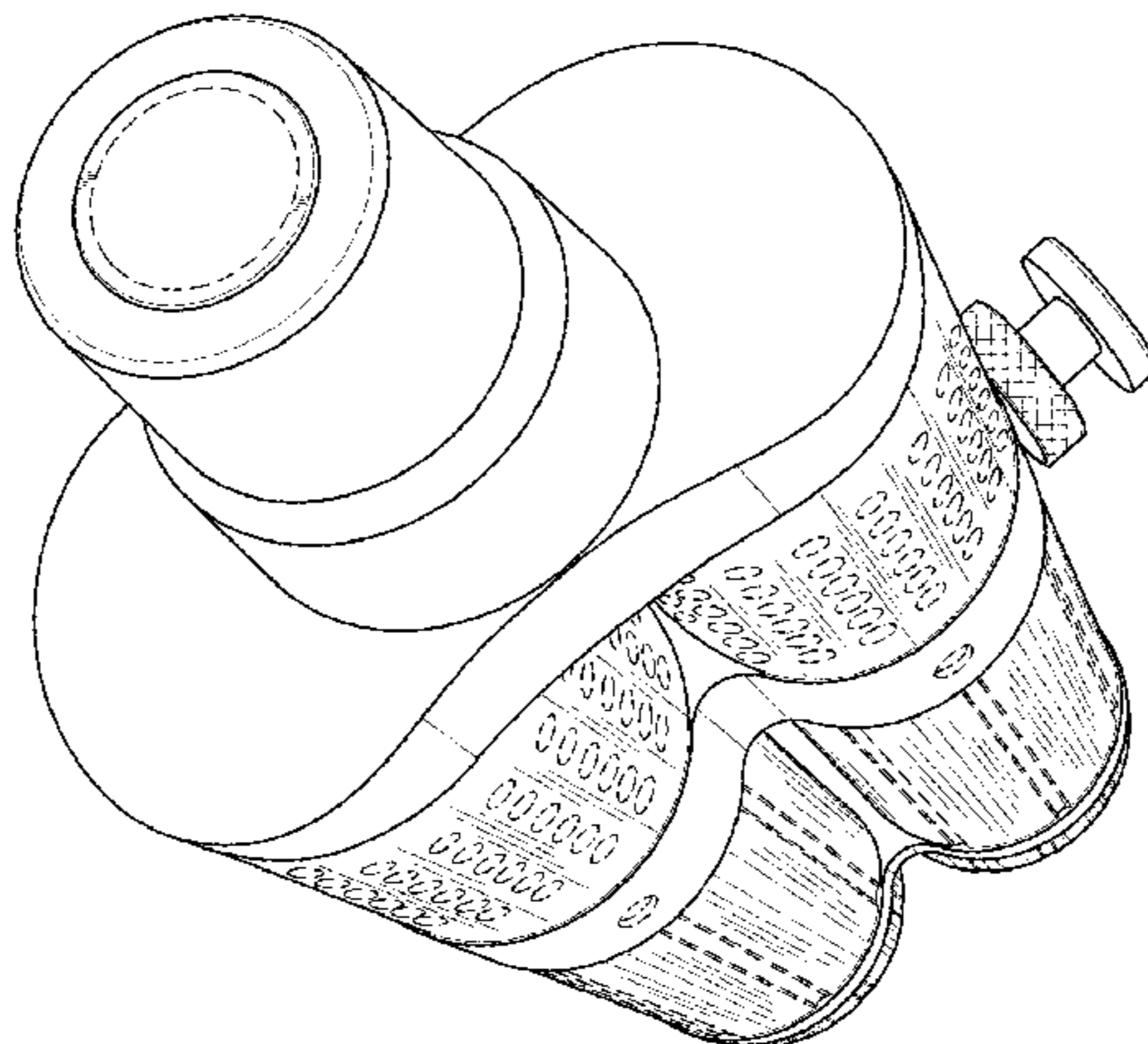
The new, original and ornamental design for a device for
smoking or vaporizing, as shown.

DESCRIPTION

FIG. 1 is a top, perspective view of a smoking device
showing my new design;
FIG. 2 is a front view thereof;
FIG. 3 is a rear view thereof;
FIG. 4 is a right side thereof;
FIG. 5 is a left side thereof;
FIG. 6 is a top view thereof; and,
FIG. 7 is a bottom view thereof.

The broken lines immediately adjacent the claimed areas
represent the bounds of the claimed design while all other
broken lines are directed to environment and are for illus-
trative purposes only; the broken lines form no part of the
claimed design.

1 Claim, 6 Drawing Sheets



(56)

References Cited

U.S. PATENT DOCUMENTS

D720,499 S 12/2014 Alima
 D720,881 S 1/2015 Liu
 D723,216 S 2/2015 Chen
 D724,264 S 3/2015 Chambers
 D727,562 S 4/2015 Li
 D727,566 S 4/2015 Xiao
 D738,038 S * 9/2015 Smith D27/170
 D745,213 S * 12/2015 Alima D27/143
 D748,852 S 2/2016 Wu
 D751,249 S 3/2016 Chen
 D752,278 S 3/2016 Verleur
 D753,338 S * 4/2016 Chen D27/162
 9,301,545 B2 * 4/2016 Li A24F 15/18
 D758,649 S 6/2016 Liu
 D758,654 S 6/2016 Liu
 D759,303 S 6/2016 Afridi
 D760,948 S 7/2016 Eksouzian
 D761,999 S * 7/2016 Liu D27/101
 D764,703 S 8/2016 Liu
 D767,819 S 9/2016 Kayvon
 D767,822 S 9/2016 Jordan
 D768,914 S 10/2016 Liu
 D771,307 S 11/2016 Wu
 D771,309 S * 11/2016 Ward D27/167
 D773,727 S 12/2016 Eksouzian
 D774,247 S 12/2016 Chen
 D776,868 S 1/2017 Rado
 D779,115 S * 2/2017 Stoll D27/153
 D788,362 S * 5/2017 Qiu D27/101
 D792,228 S * 7/2017 de Baschmakoff D9/522
 D793,005 S * 7/2017 Scott D27/189
 D799,111 S * 10/2017 Qiu D27/101
 D799,743 S * 10/2017 Qiu D27/101
 D799,746 S * 10/2017 Leidel D27/163

D800,377 S * 10/2017 Liu D27/101
 D800,380 S * 10/2017 Williams D27/163
 D802,206 S * 11/2017 Huang D27/101
 D802,834 S * 11/2017 Mathias D27/163
 D805,685 S * 12/2017 Lee D27/101
 D807,576 S * 1/2018 Liu D27/163
 D807,577 S * 1/2018 Ward D27/167
 D809,192 S * 1/2018 Liu D27/163
 D811,653 S * 2/2018 Ali D27/181
 D814,106 S * 3/2018 Scott D27/189
 D814,693 S * 4/2018 Qiu D27/101
 D815,341 S * 4/2018 Qiu D27/101
 D816,895 S * 5/2018 Ren D27/162
 D819,262 S * 5/2018 Lin D27/101
 D822,272 S * 7/2018 Miller D27/101
 D822,894 S * 7/2018 Schwartz D27/101
 D827,921 S * 9/2018 Miller D27/101
 D831,269 S * 10/2018 Qiu D27/162
 2002/0088469 A1 * 7/2002 Rennecamp A24F 1/00
 131/330
 2011/0094524 A1 4/2011 Glover
 2012/0255546 A1 10/2012 Goetz et al.
 2013/0152922 A1 6/2013 Bennisayag et al.
 2013/0319407 A1 12/2013 Liu
 2014/0041655 A1 2/2014 Barron et al.
 2015/0090253 A1 4/2015 Farrow
 2015/0342258 A1 12/2015 Chen
 2017/0172209 A1 * 6/2017 Saydar A24F 47/008
 2018/0035717 A1 * 2/2018 Batista A24F 47/008
 2018/0160738 A1 * 6/2018 Verleur A24F 47/008
 2018/0177230 A1 * 6/2018 Hawes A24F 47/008
 2018/0177239 A1 * 6/2018 Saydar A24F 47/008

OTHER PUBLICATIONS

Yocan Products Inc. web pages printed on Jan. 15, 2016.

* cited by examiner

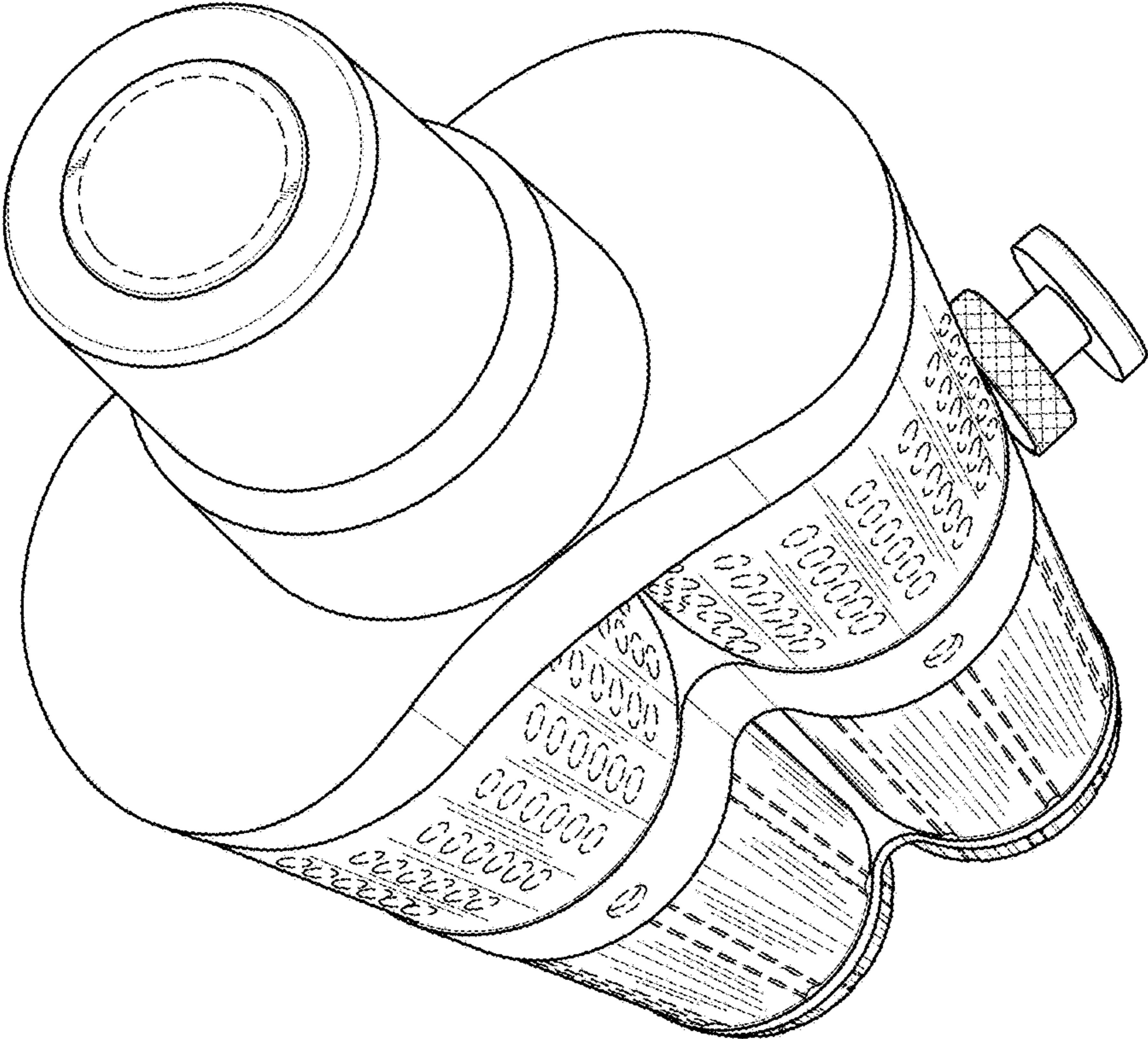


FIG. 1

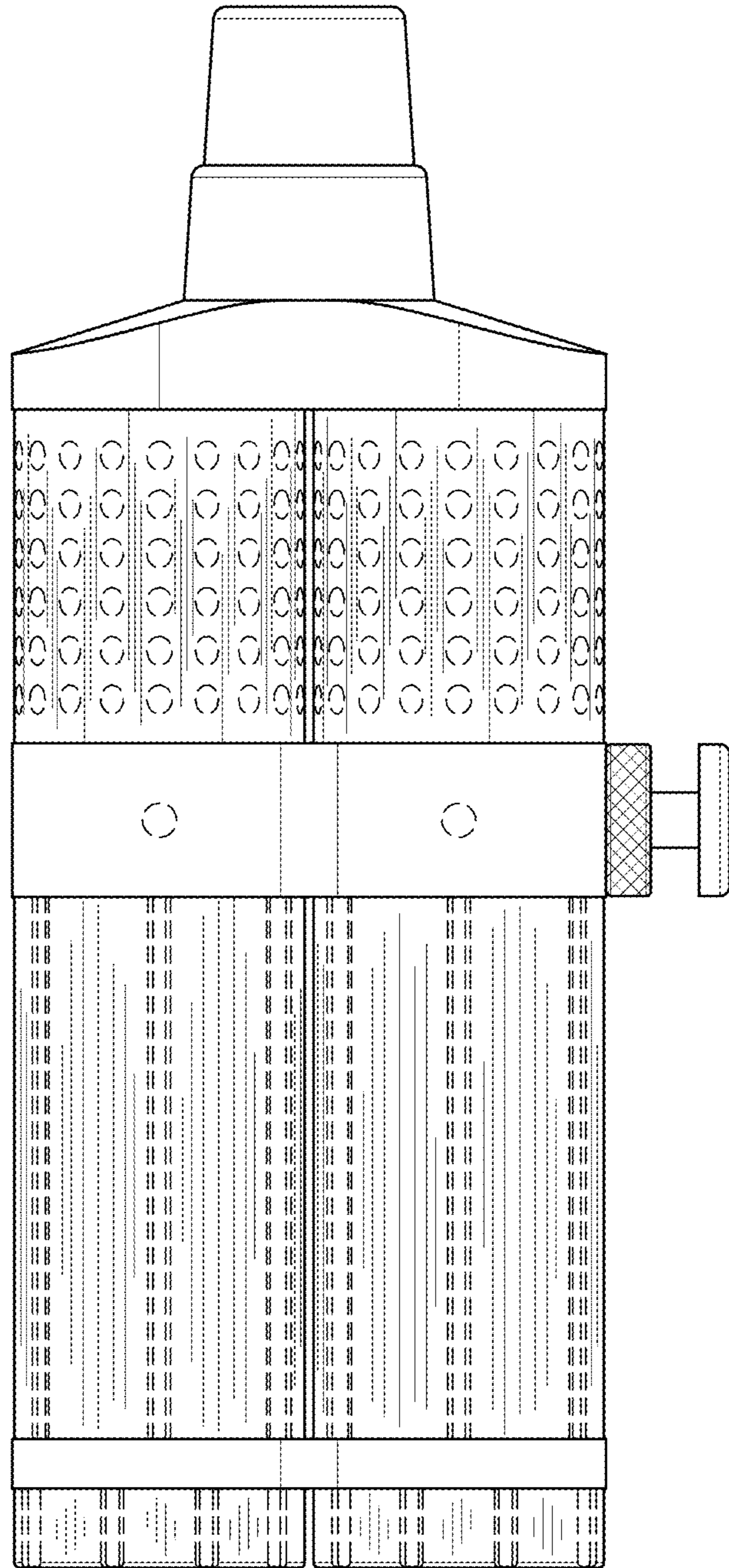


FIG. 2

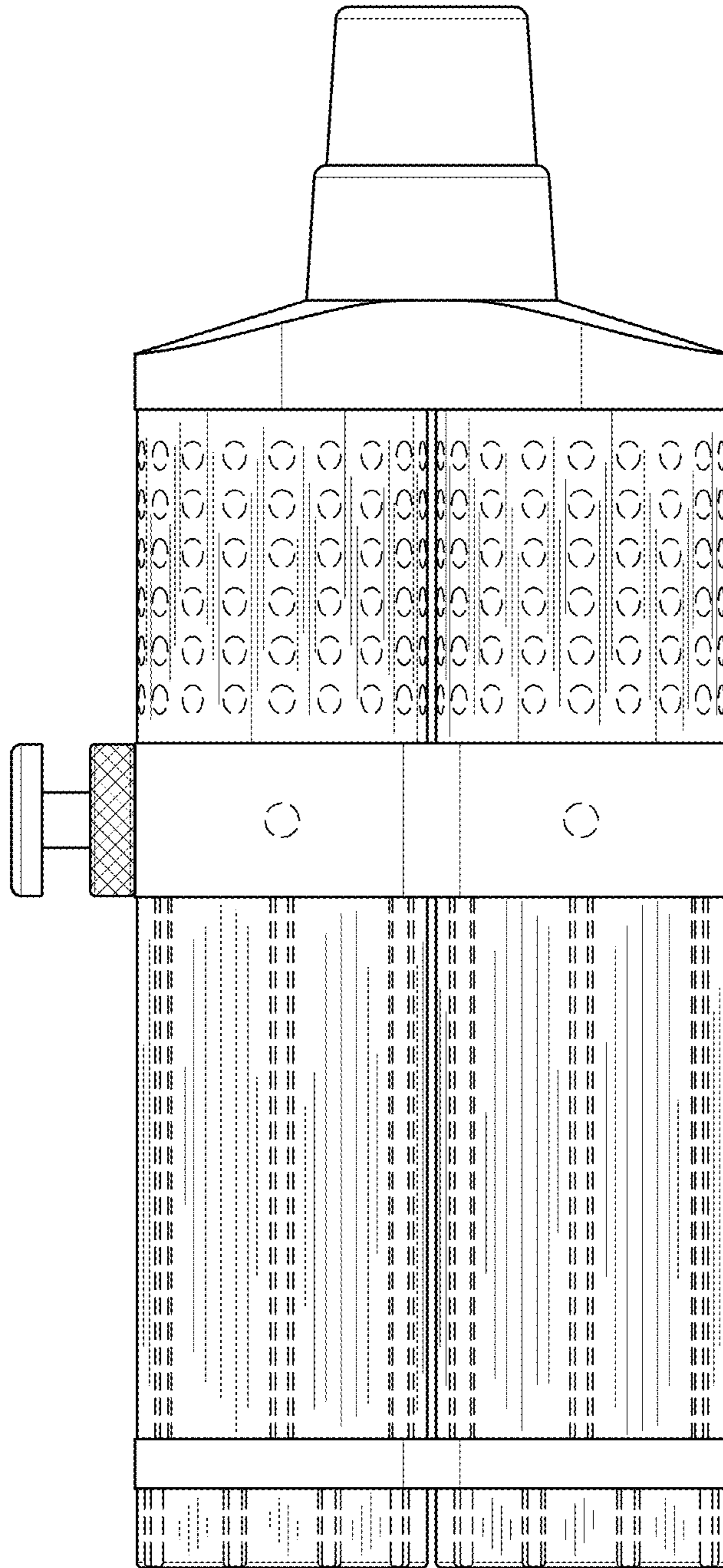


FIG. 3

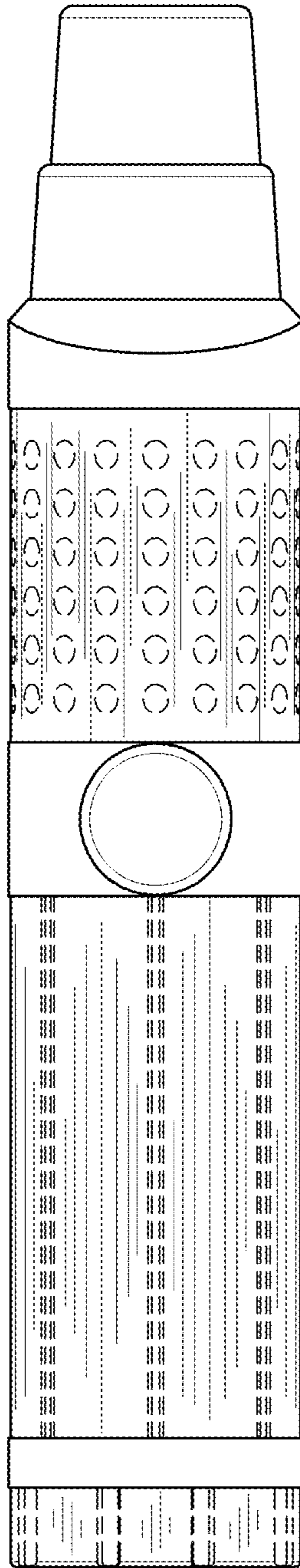


FIG. 4

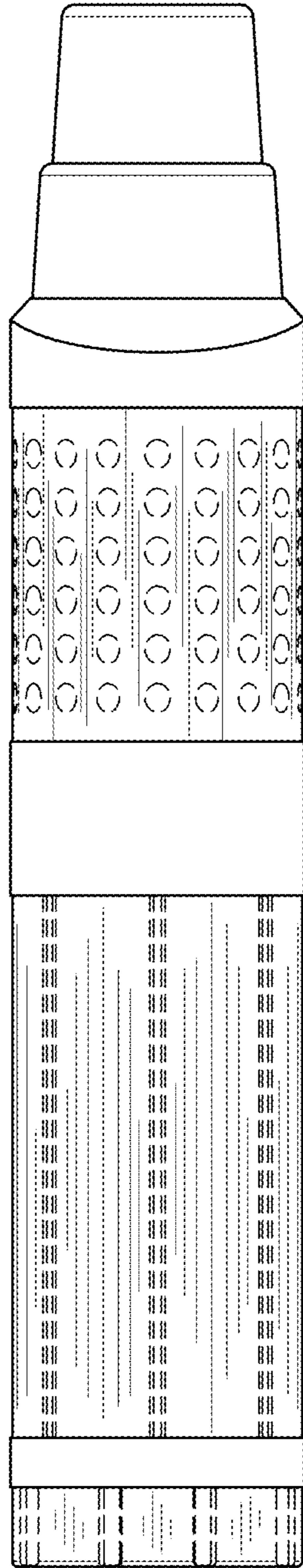


FIG. 5

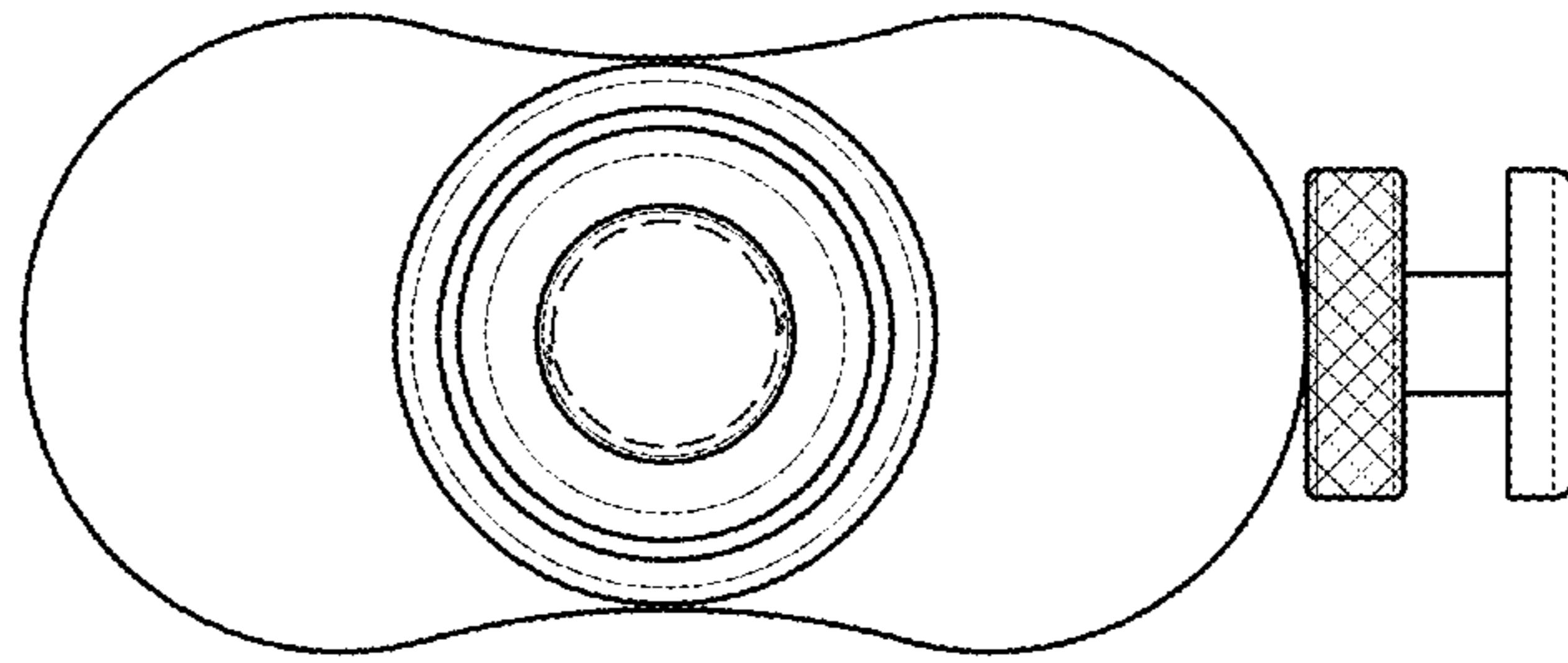


FIG. 6

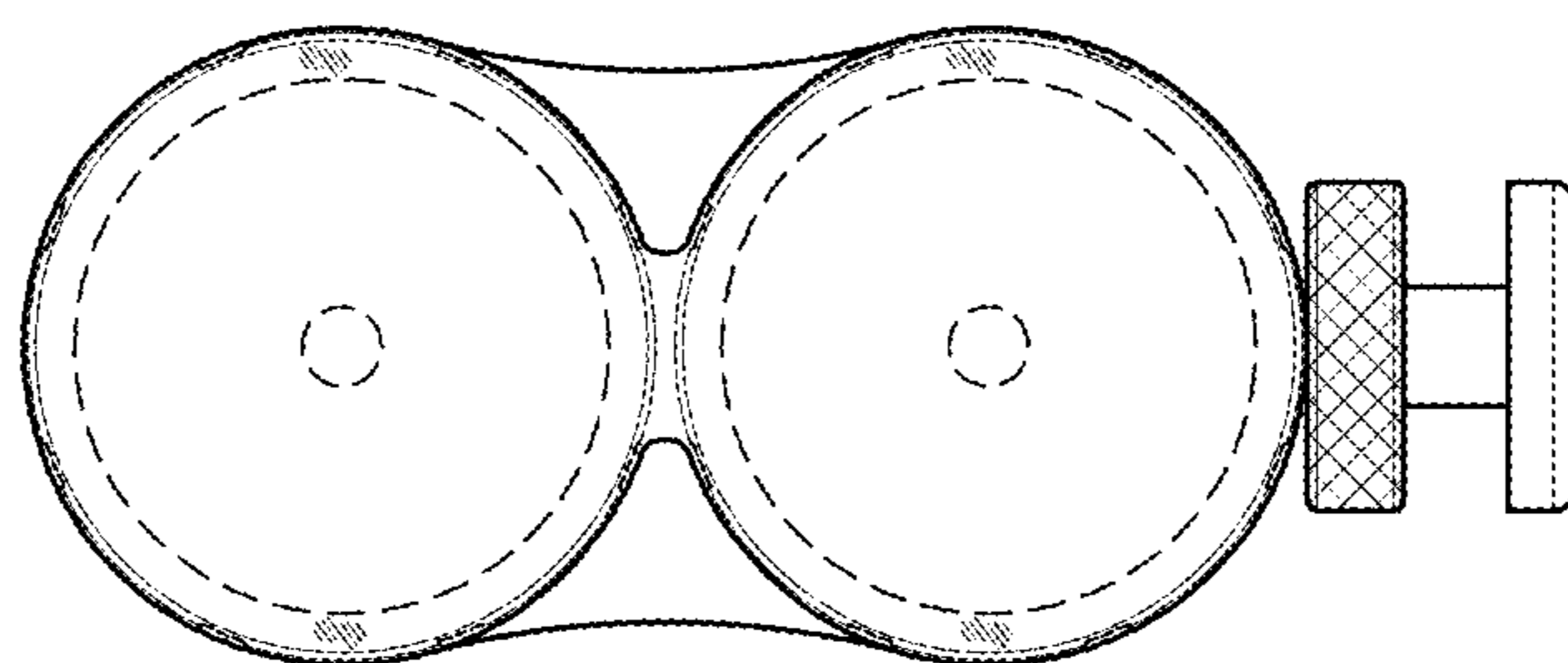


FIG. 7