



US00D844889S

(12) **United States Design Patent** (10) **Patent No.:** **US D844,889 S**  
**Van Roosmalen et al.** (45) **Date of Patent:** **\*\* Apr. 2, 2019**

(54) **ROAD LUMINAIRE**

(71) Applicant: **PHILIPS LIGHTING HOLDING B.V.**, Eindhoven (NL)  
 (72) Inventors: **Jozef Willebrordus Van Roosmalen**, Rotterdam (NL); **Raimond Wilhelmus Maria Janssen**, Eindhoven (NL)  
 (73) Assignee: **PHILIPS LIGHTING HOLDING B.V.**, Eindhoven (NL)

(\*\*) Term: **15 Years**

(21) Appl. No.: **29/606,915**

(22) Filed: **Jun. 8, 2017**

(30) **Foreign Application Priority Data**

Dec. 28, 2016 (EM) ..... 003552058-0001

(51) **LOC (11) Cl.** ..... **26-99**

(52) **U.S. Cl.**  
USPC ..... **D26/113**

(58) **Field of Classification Search**  
 USPC ..... D26/67-72, 92.61, 65, 92, 113, 118, 119  
 CPC .. F21S 8/033; F21S 8/036; F21S 8/085; F21S 8/086; F21S 8/088; F21W 2111/02; F21W 2111/023; F21W 2131/101; F21W 2131/103; F21W 2131/1005; F21W 2131/107; F21V 29/503; F21V 29/745; F21V 29/75; F21V 29/76; F21V 29/763; F21V 29/767; F21V 29/77; F21V 29/78  
 See application file for complete search history.

(56) **References Cited**

U.S. PATENT DOCUMENTS

D326,335 S *	5/1992	Meyer .....	D26/65
D556,357 S *	11/2007	Butler .....	D26/71
D734,522 S *	7/2015	Coulbeaut .....	D26/63
D773,088 S *	11/2016	Hodgson .....	D26/61
D817,532 S *	5/2018	Iguchi .....	D26/71
D822,261 S *	7/2018	Demuyneck .....	D26/92

\* cited by examiner

*Primary Examiner* — Brian N. Vinson

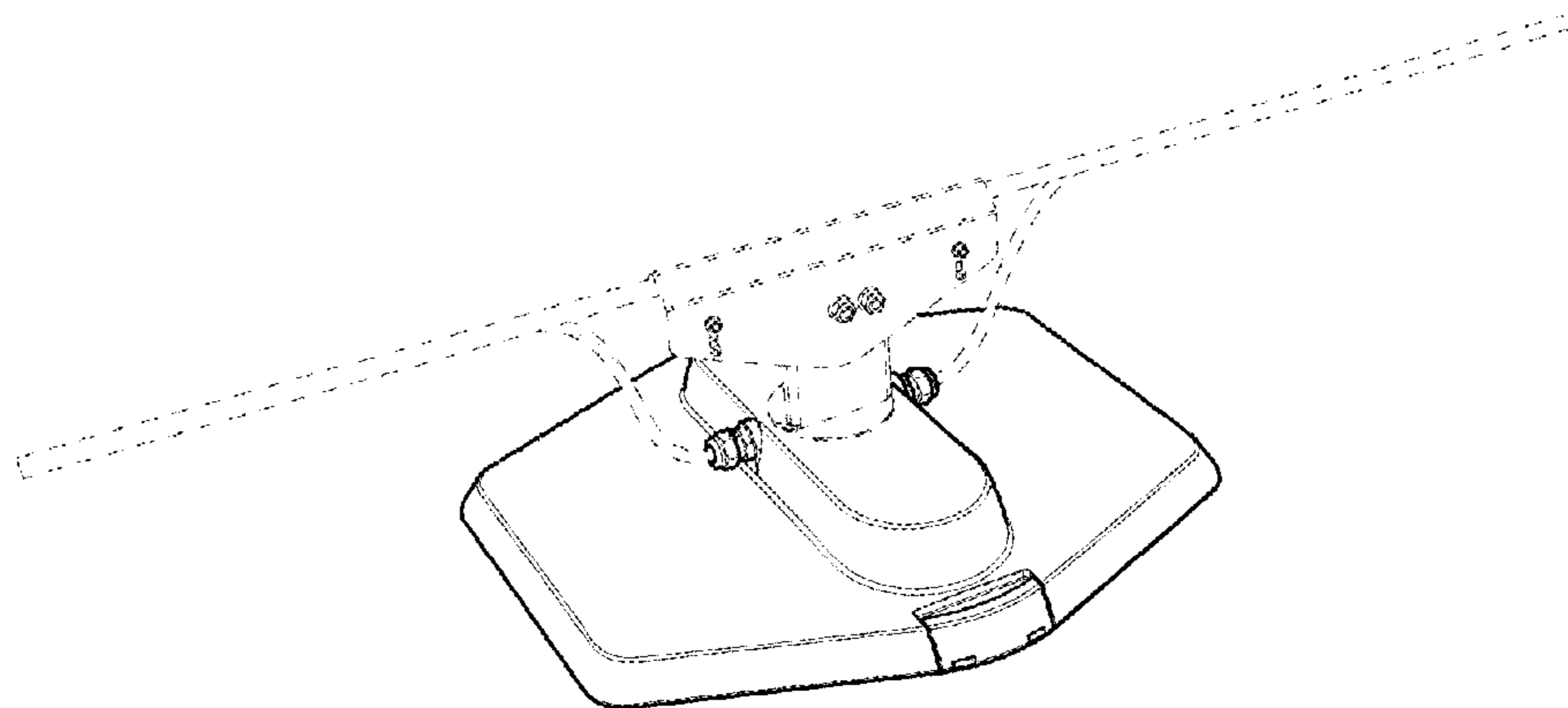
(57) **CLAIM**

The ornamental design for a road luminaire, as shown and described.

**DESCRIPTION**

FIG. 1 is a perspective view showing my design;  
 FIG. 2 is a front elevational view thereof;  
 FIG. 3 is a rear elevational view thereof;  
 FIG. 4 is a right side elevational view thereof;  
 FIG. 5 is a left side elevational view thereof;  
 FIG. 6 is a top plan view thereof; and,  
 FIG. 7 is a bottom plan view thereof.  
 The broken line disclosure shown in FIG. 7 represents portions of the luminaire which form no part of the claimed design, while the remaining broken line disclosure represents brackets and power cables which form no part of the claimed design.

**1 Claim, 5 Drawing Sheets**



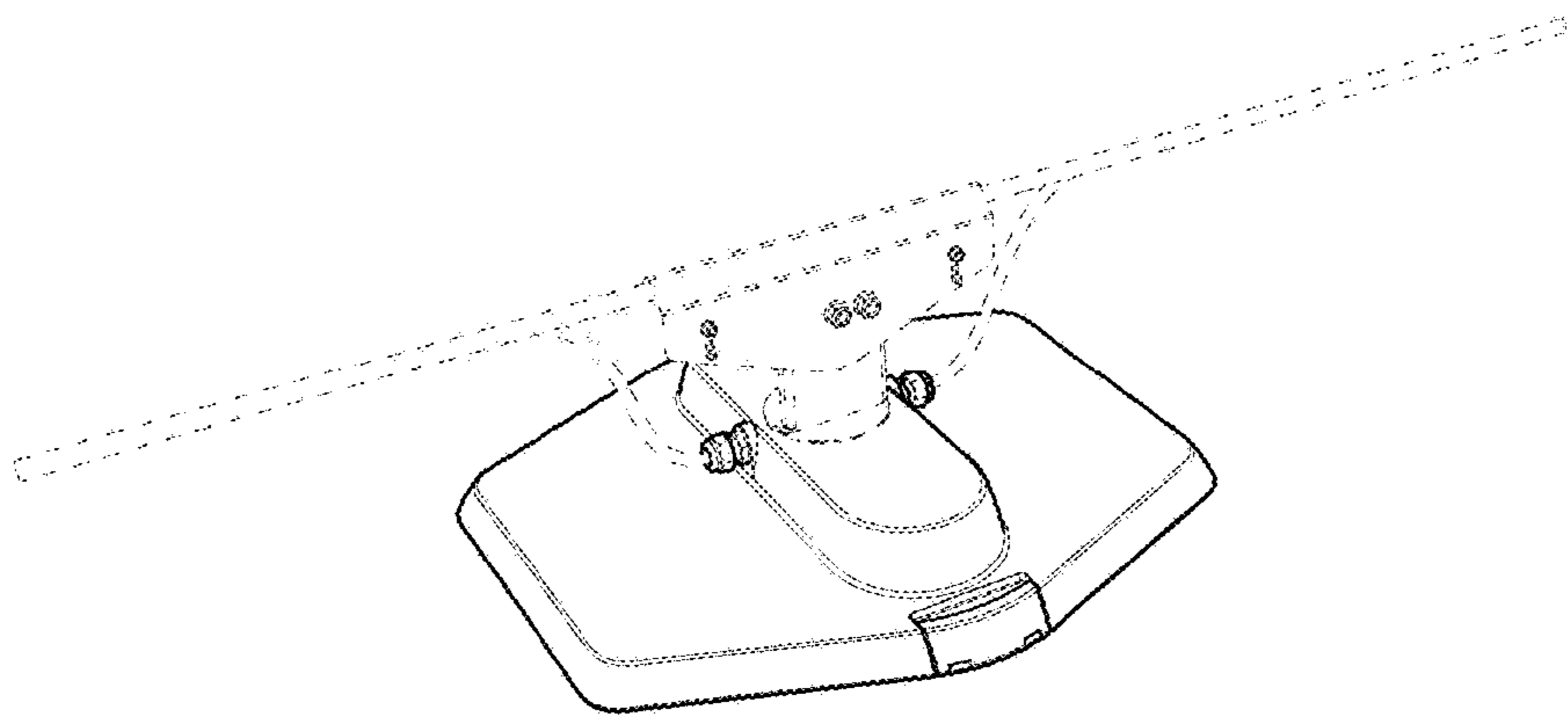


FIG. 1

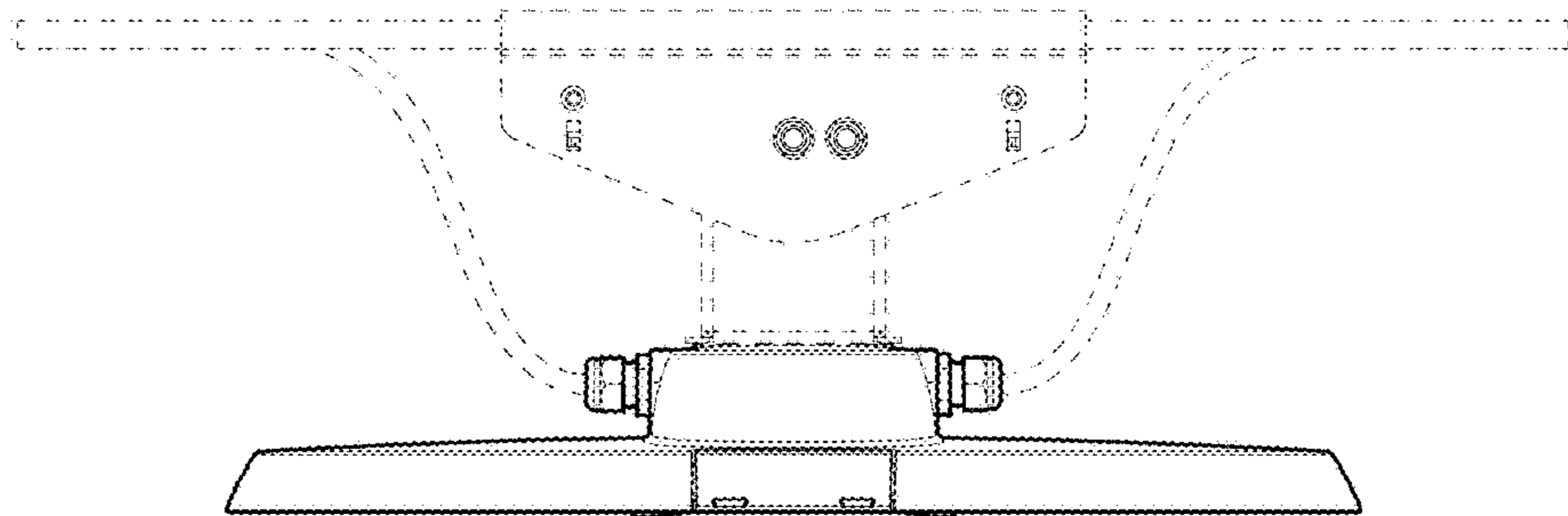


FIG. 2

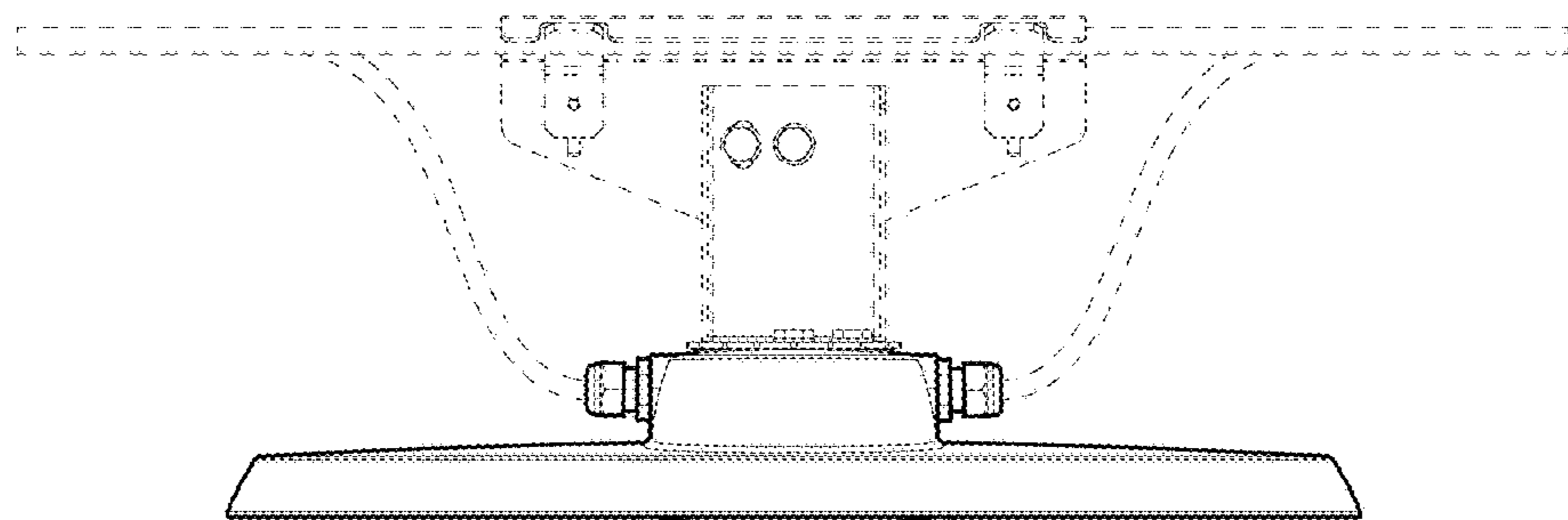


FIG. 3

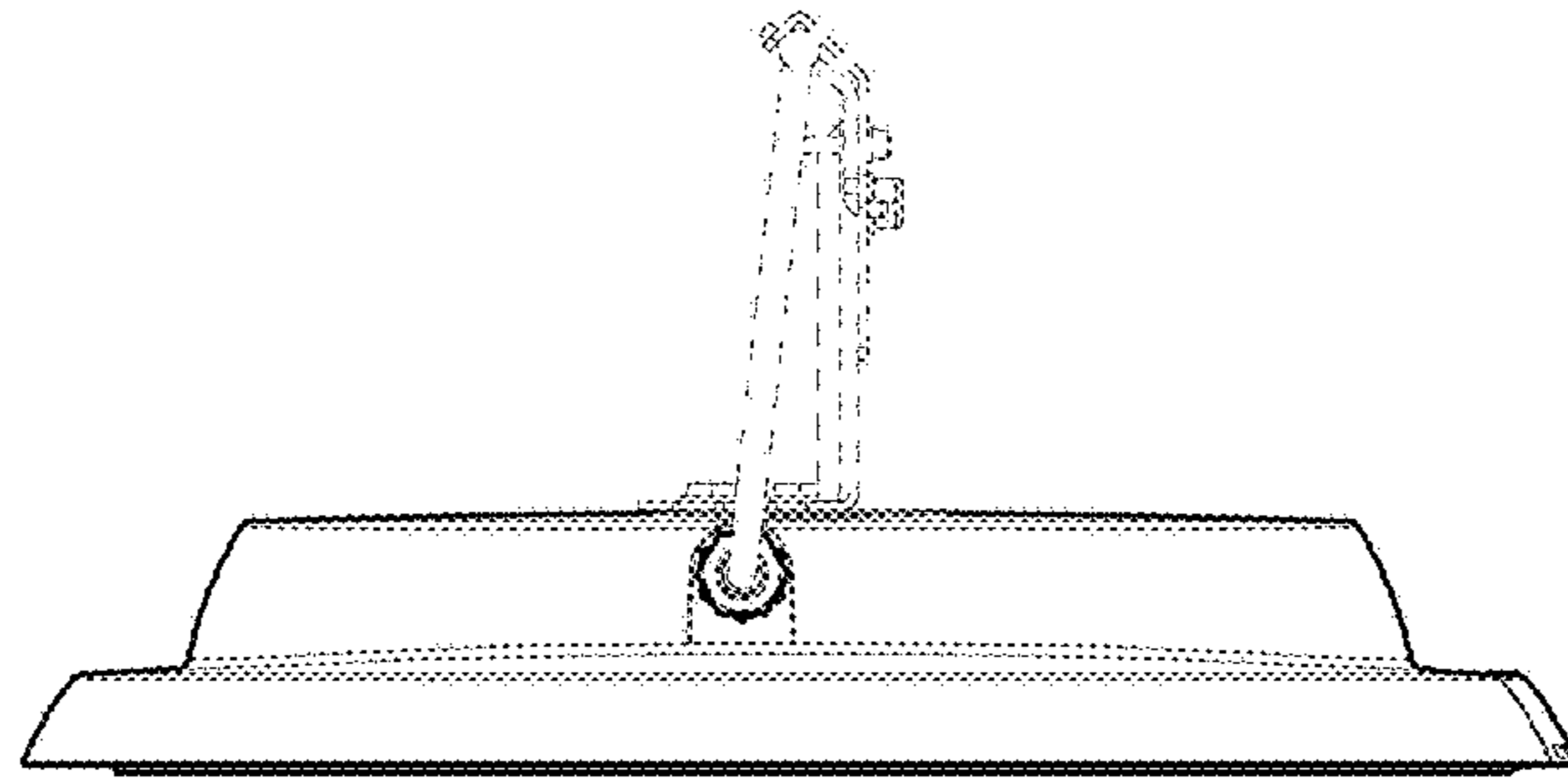


FIG. 4

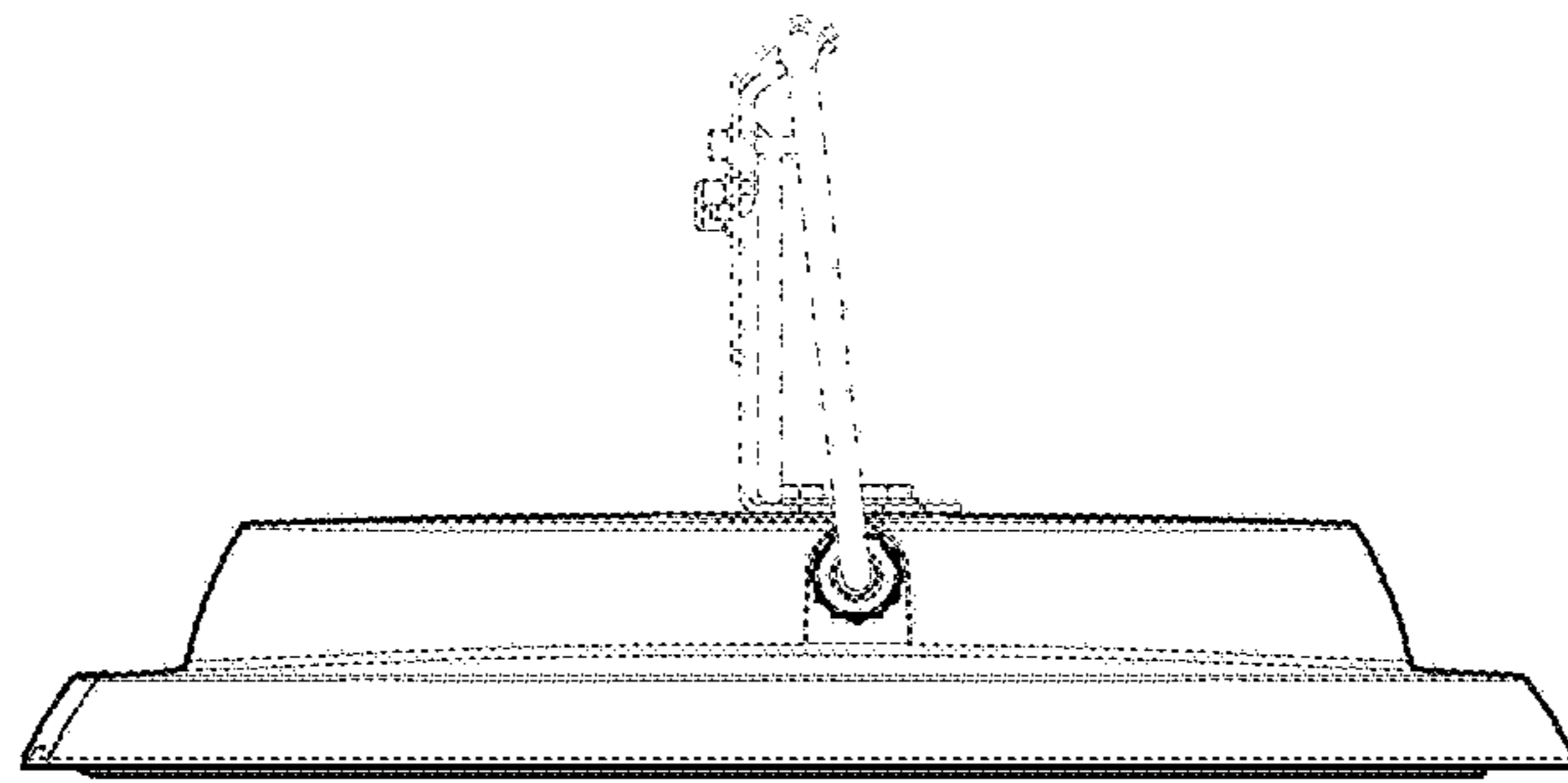


FIG. 5

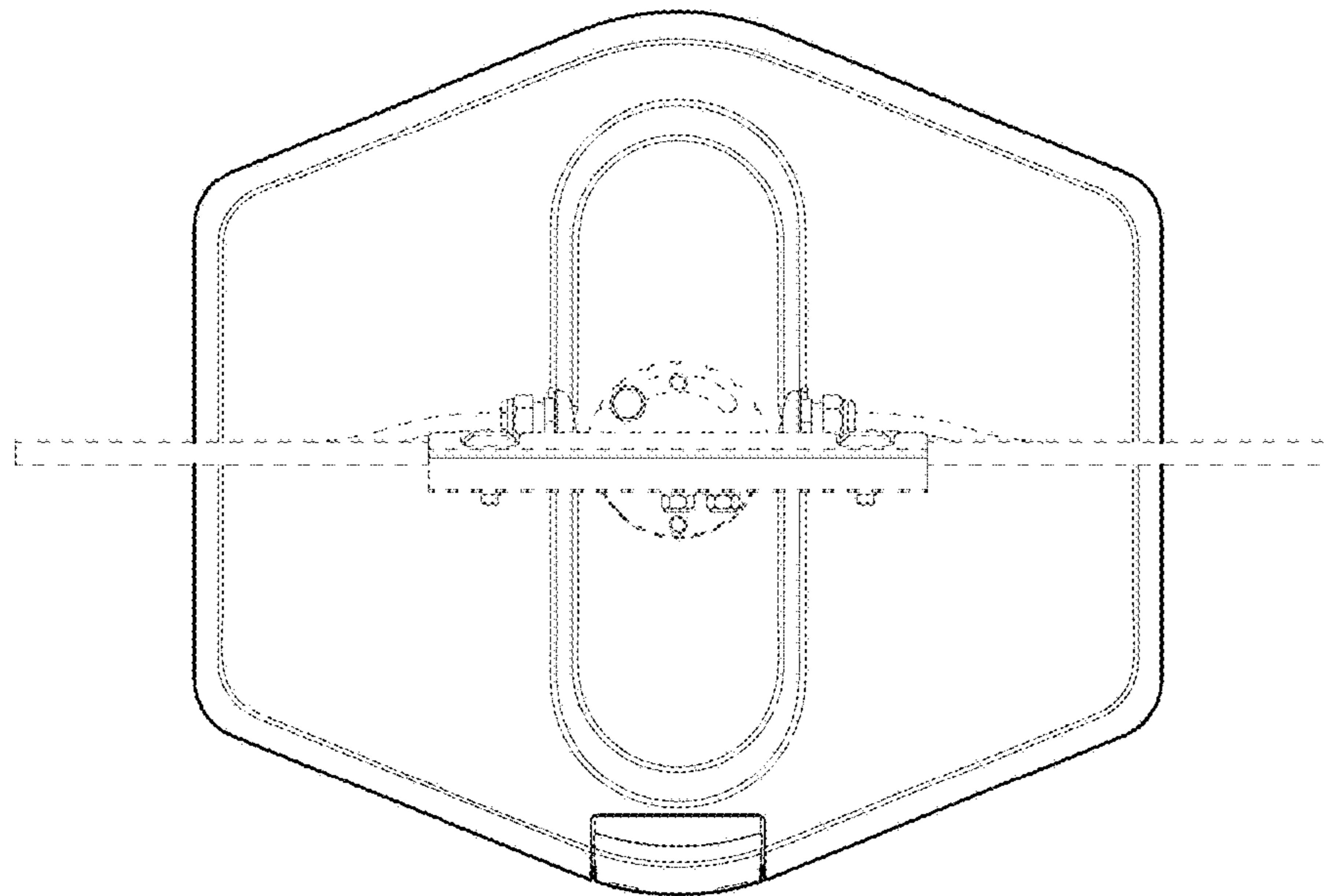


FIG. 6

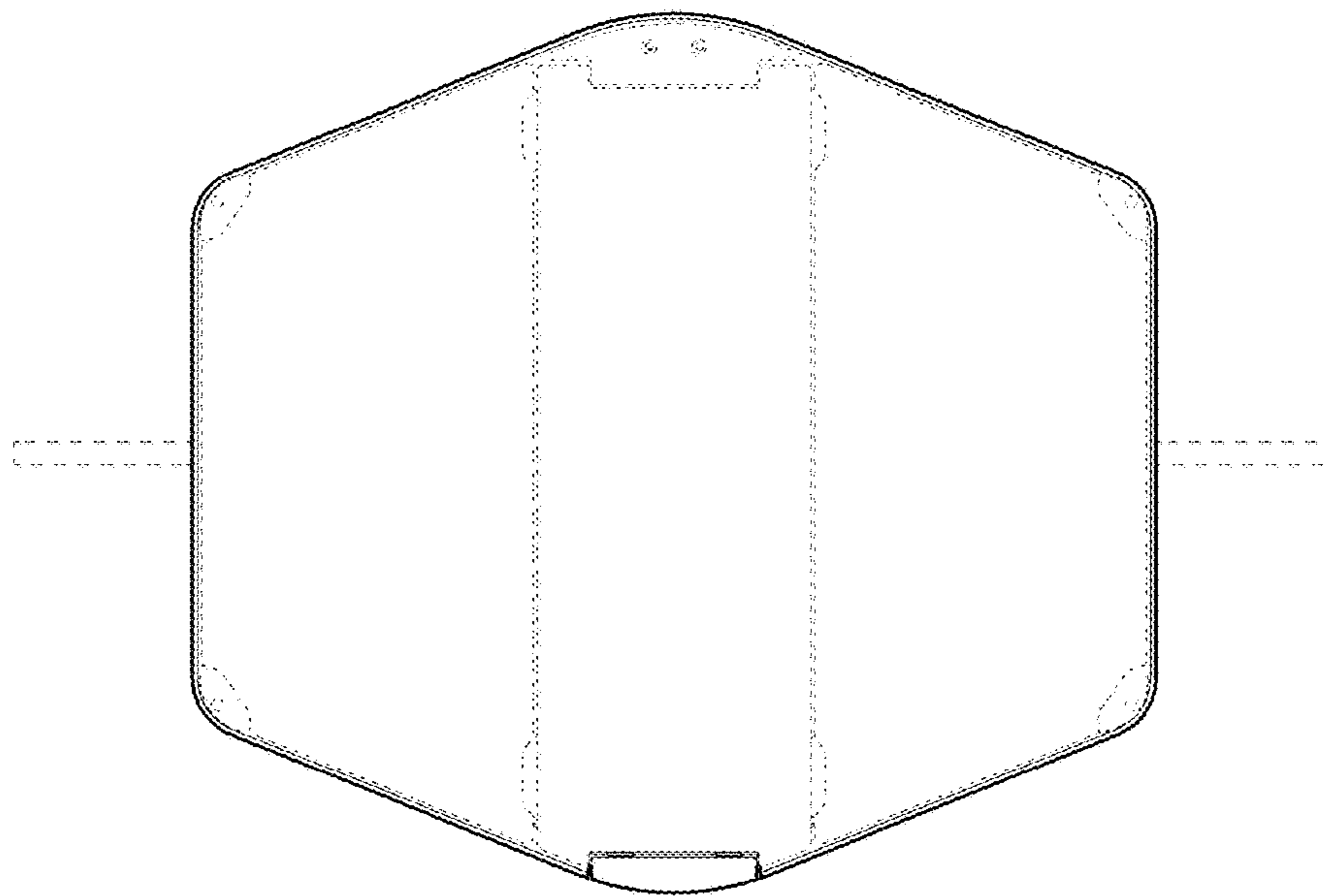


FIG. 7