



US00D844888S

(12) **United States Design Patent**
Green et al.

(10) **Patent No.:** **US D844,888 S**

(45) **Date of Patent:** **** Apr. 2, 2019**

(54) **LIGHT STRUCTURE**

(71) Applicant: **Symmetric Labs, Inc.**, San Francisco, CA (US)

(72) Inventors: **Alex Green**, San Francisco, CA (US);
Trip Vest, San Francisco, CA (US)

(73) Assignee: **Symmetric Labs, Inc.**, San Francisco, CA (US)

(**) Term: **15 Years**

(21) Appl. No.: **29/604,647**

(22) Filed: **May 18, 2017**

Related U.S. Application Data

(63) Continuation of application No. 15/445,911, filed on Feb. 28, 2017, now Pat. No. 9,942,970.

(51) **LOC (11) Cl.** **26-03**

(52) **U.S. Cl.**
USPC **D26/110**

(58) **Field of Classification Search**
USPC D26/1, 24, 93, 106, 107, 110, 75, 76, 84,
D26/113, 118
CPC B60Q 1/04; B60Q 1/26; F21S 8/026; F21S
8/04; F21S 2/00; F21V 29/004; F21V
21/02; F21V 21/04; F21V 29/2212; F21V
37/002; F21V 7/00; F21V 29/83; F21V
7/22

See application file for complete search history.

(56) **References Cited**

U.S. PATENT DOCUMENTS

5,386,353	A *	1/1995	Battaglia	F21S 2/00 362/222
D481,484	S *	10/2003	Cuevas	D26/84
D525,738	S *	7/2006	Waycaster	D26/76
D619,291	S *	7/2010	Thevenot	D26/75
D619,294	S *	7/2010	Sabernig	D26/93
D738,559	S *	9/2015	Epstein	D26/106
D755,434	S *	5/2016	Martin	D26/93
D776,328	S *	1/2017	Bacus	D26/113
D816,889	S *	5/2018	Farnsworth	D26/118

* cited by examiner

Primary Examiner — Brian N. Vinson

(74) *Attorney, Agent, or Firm* — Run8 Patent Group, LLC; Peter Miller

(57) **CLAIM**

We claim the ornamental design of a light structure, as shown and described.

DESCRIPTION

FIG. 1 is a front upper left isometric view of the light structure in an open configuration.

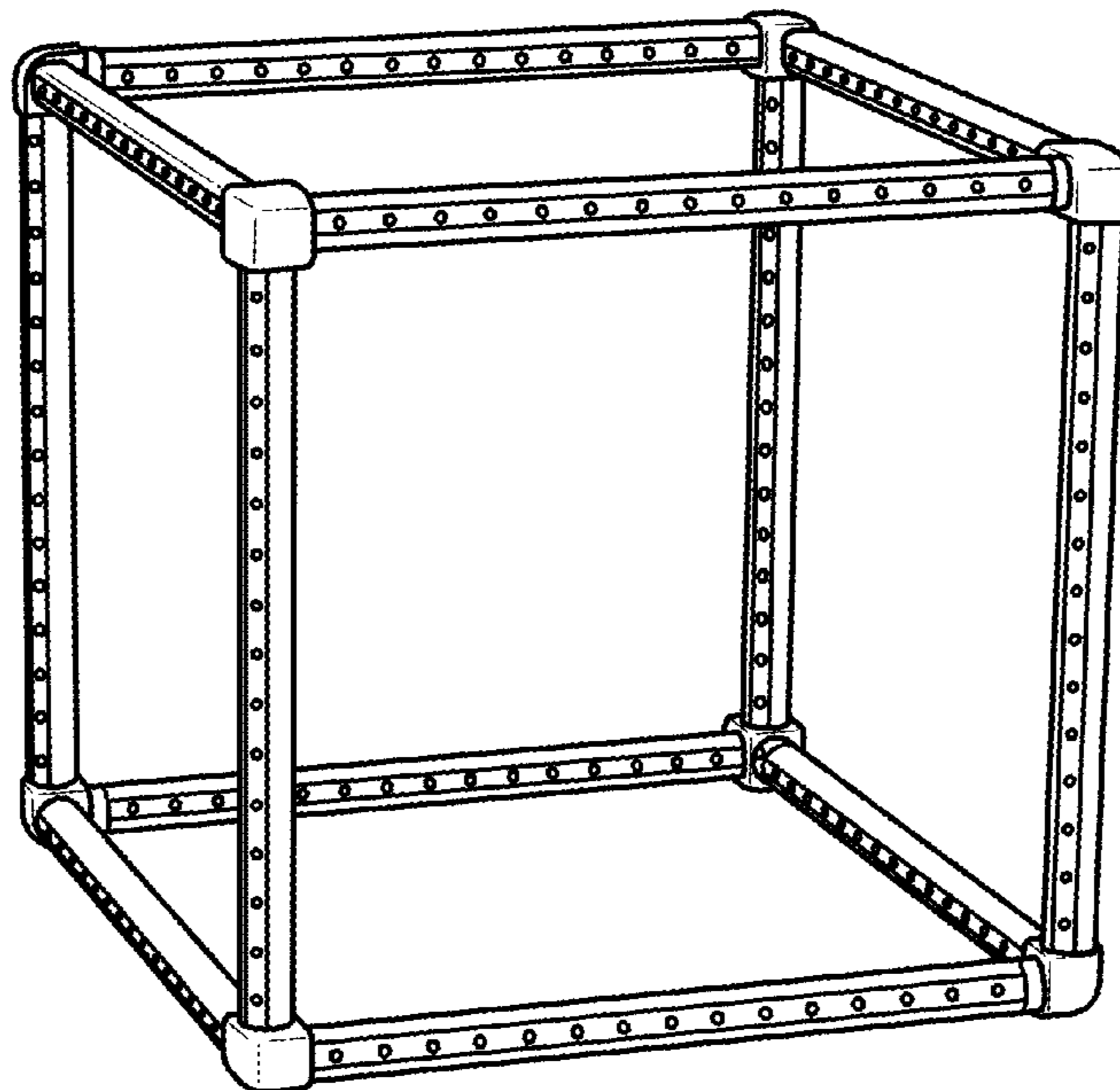
FIG. 2 is a left center isometric view of the light structure in an open configuration.

FIG. 3 is a left center isometric view of the light structure in a collapsed configuration; and,

FIG. 4 is a front upper left isometric view of an exemplary assembly of multiple instances of the light structure in an open configuration.

No broken line shown in the FIGURES forms any part of the design claimed in the instant Application.

1 Claim, 3 Drawing Sheets



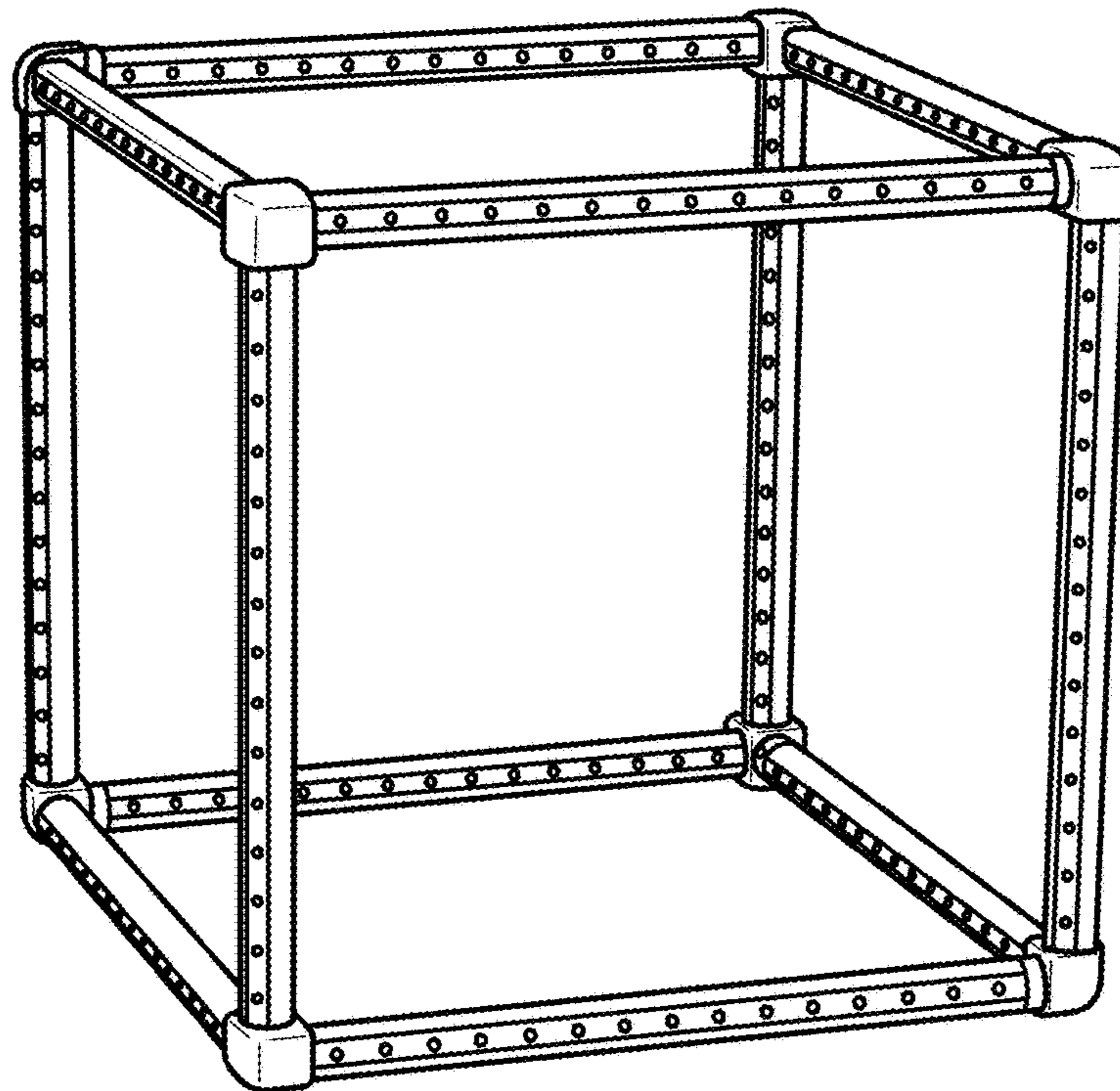


FIG. 1

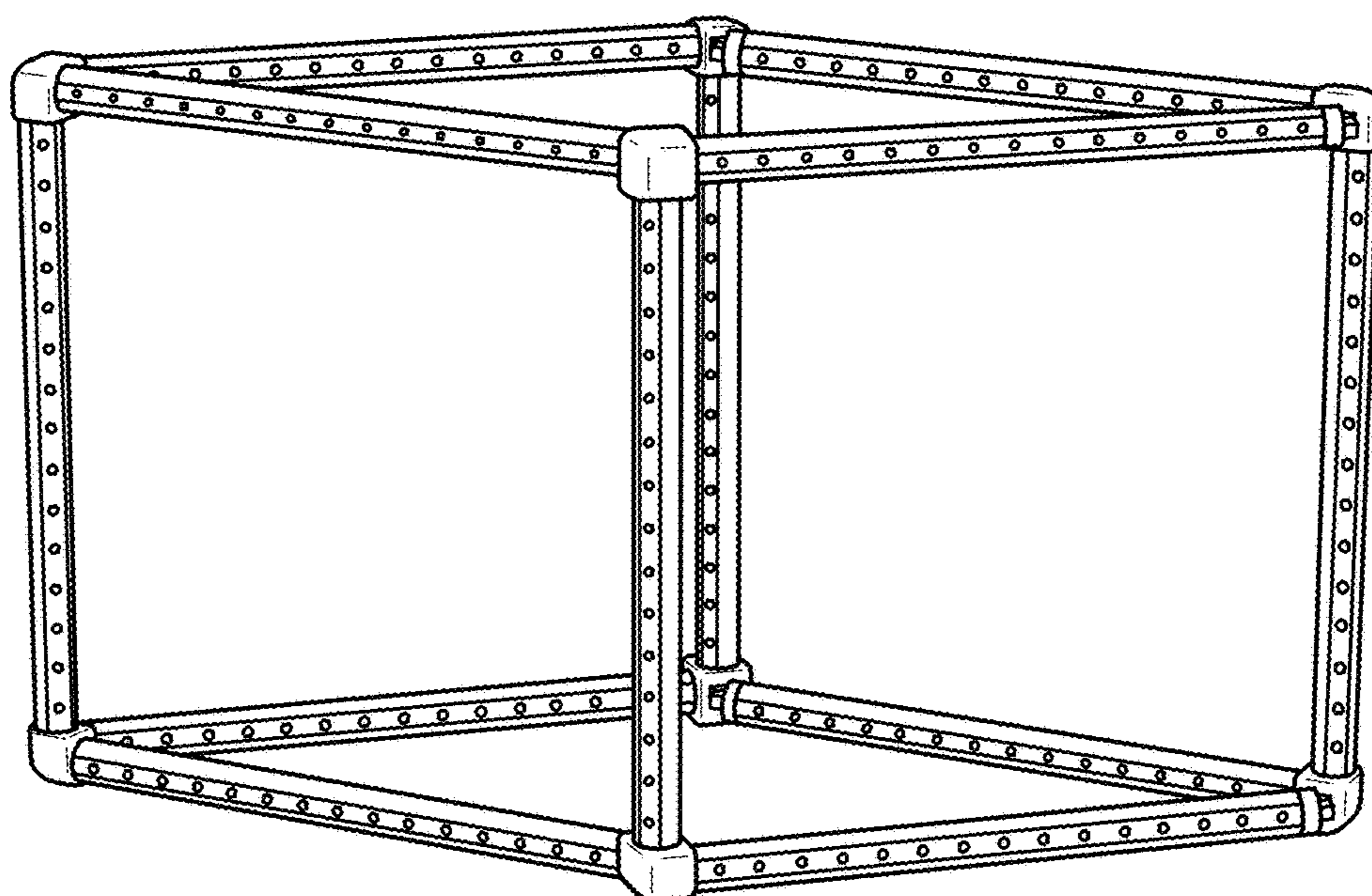


FIG. 2

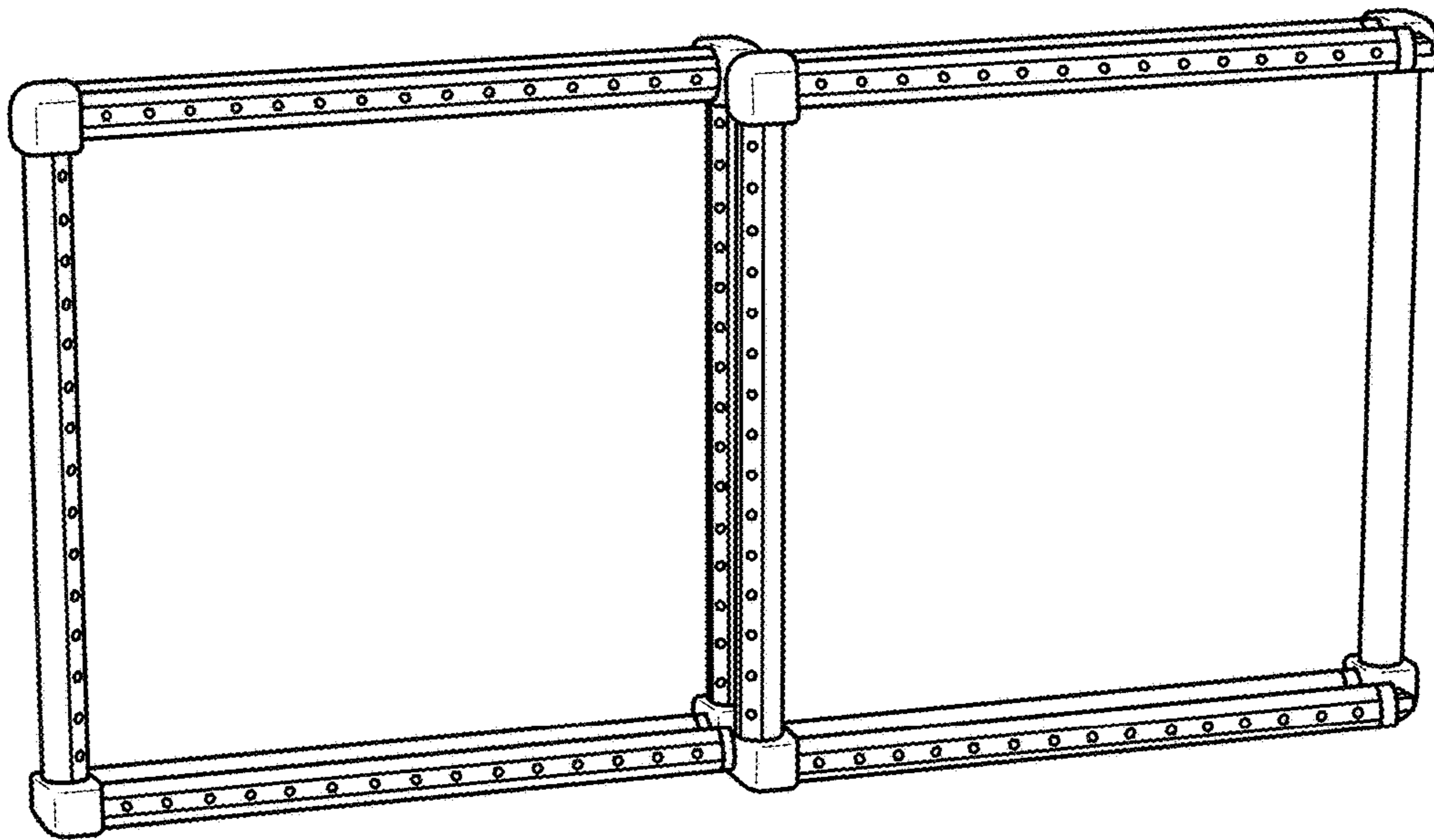


FIG. 3

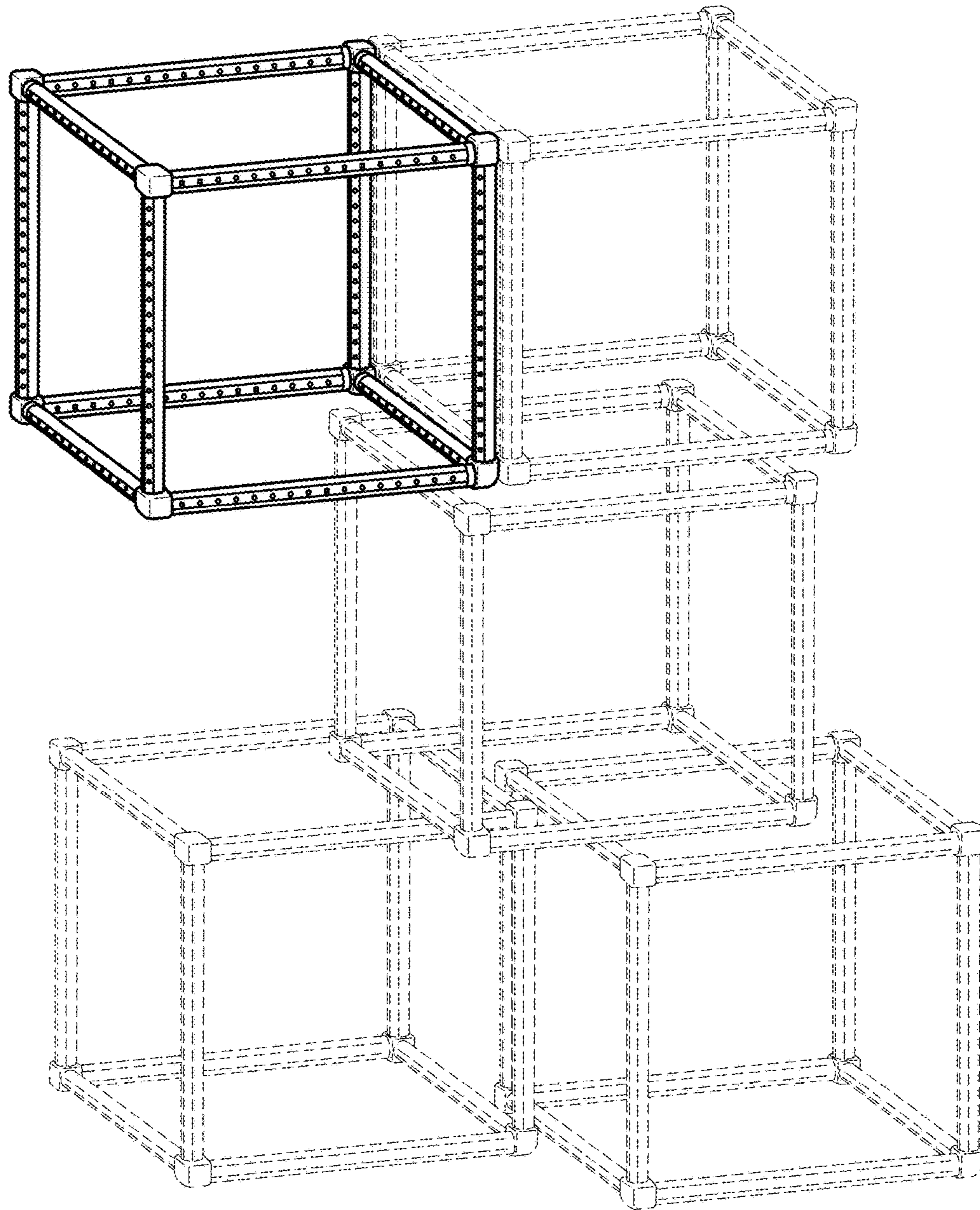


FIG. 4