



US00D844887S

(12) **United States Design Patent**
Ng et al.

(10) **Patent No.:** **US D844,887 S**

(45) **Date of Patent:** **** Apr. 2, 2019**

(54) **LAMP**

(71) Applicant: **Koncept Technologies, Inc.**, Monrovia, CA (US)

(72) Inventors: **Edmund Ng**, Monrovia, CA (US);
Kenneth Ng, Monrovia, CA (US)

(73) Assignee: **KONCEPT TECHNOLOGIES, INC.**, Monrovia, CA (US)

(**) Term: **15 Years**

(21) Appl. No.: **29/596,661**

(22) Filed: **Mar. 9, 2017**

Related U.S. Application Data

(63) Continuation-in-part of application No. 29/589,968, filed on Jan. 5, 2017, now abandoned.

(51) **LOC (11) Cl.** **26-03**

(52) **U.S. Cl.**
USPC **D26/106**

(58) **Field of Classification Search**
USPC D26/72, 80, 81, 84, 85, 86, 87, 88, 90,
D26/91, 93, 103-106, 108, 118, 142
CPC F21S 8/043; F21S 8/046; F21S 8/06; F21S
8/061; F21S 8/063; F21S 8/065; F21S
8/068; F21S 8/083
See application file for complete search history.

(56) **References Cited**

U.S. PATENT DOCUMENTS

D211,389 S * 6/1968 de Vos et al. D26/107
D244,793 S * 6/1977 Ruud D26/107

D373,843 S * 9/1996 Sonneman D26/106
D380,575 S * 7/1997 Benghozi D26/106
D403,800 S * 1/1999 Chen D26/104
D580,090 S * 11/2008 Kubler D26/105
D617,039 S * 6/2010 Sabernig D26/104
D740,253 S * 10/2015 Jeon D14/204
D780,982 S * 3/2017 Starck D26/93
D805,677 S * 12/2017 Starck D26/93
D809,700 S * 2/2018 Sempe D26/106
D810,351 S * 2/2018 Sempe D26/106
D815,773 S * 4/2018 Ellis D26/106

* cited by examiner

Primary Examiner — Clare E Heflin

(74) *Attorney, Agent, or Firm* — Steins & Associates, P.C.

(57) **CLAIM**

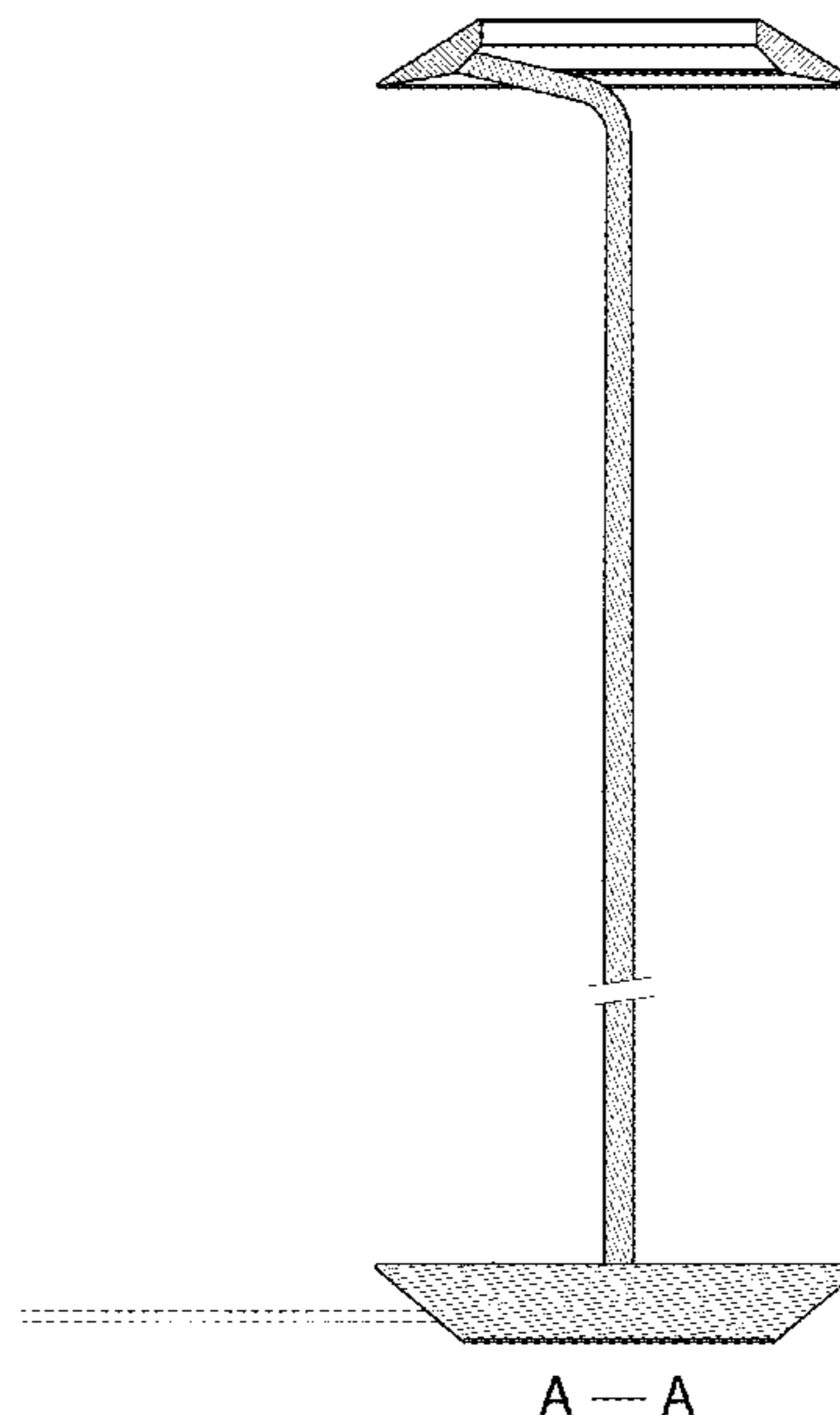
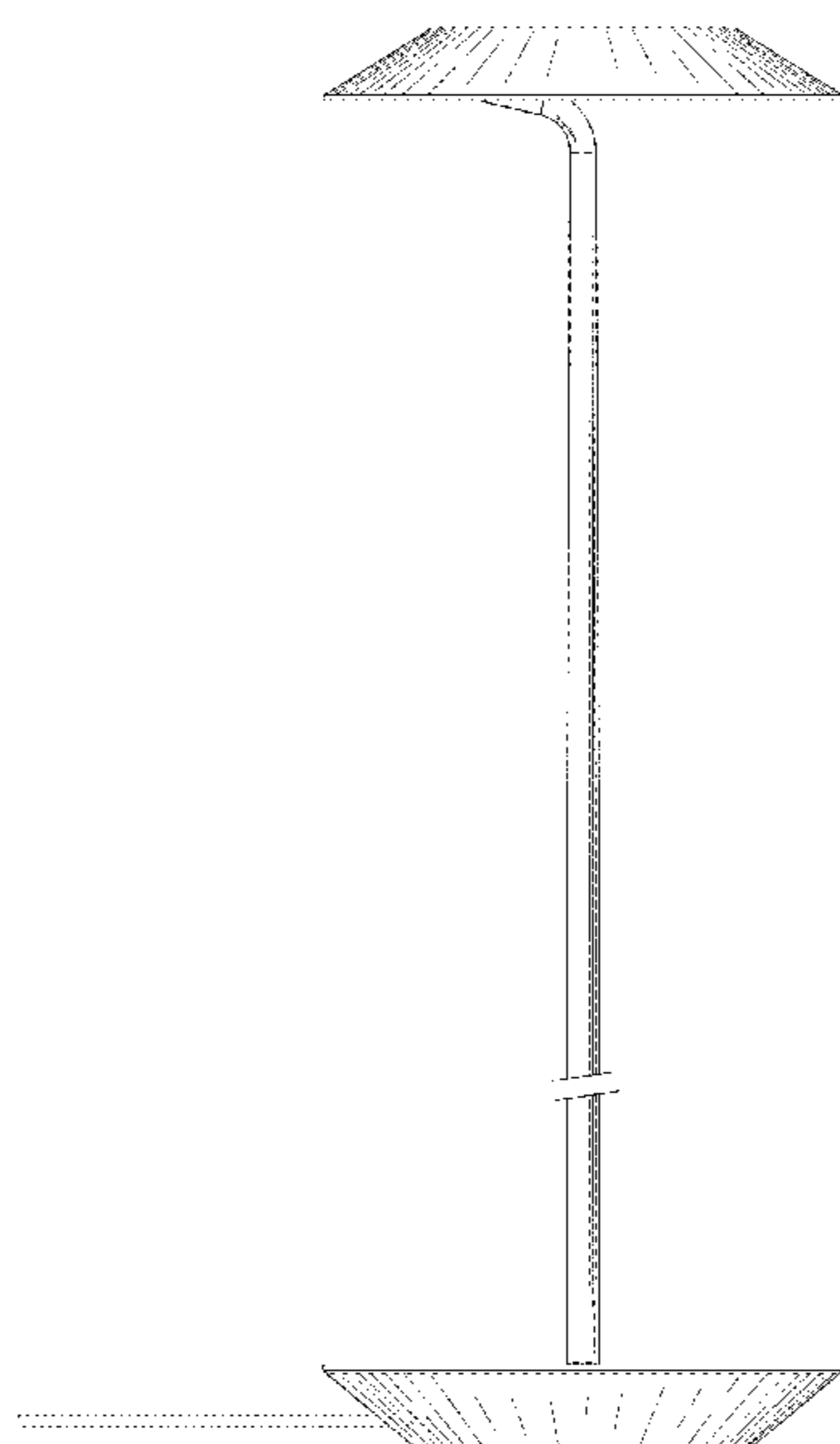
What is claimed is the ornamental design for a lamp, as shown and described.

DESCRIPTION

FIG. 1 is a top perspective view of the lamp;
FIG. 2 is a front view thereof;
FIG. 3 is a back view thereof;
FIG. 4 is a left side view thereof;
FIG. 5 is a right side view thereof;
FIG. 6 is a top view thereof;
FIG. 7 is a bottom view thereof; and,
FIG. 8 is a cross-sectional view thereof, taken along the line A-A in FIG. 6.

The portions of the lamp shown in broken lines form no part of the claimed design. The lamp is shown with symbolic breaks in its length. The appearance of any portion of the article between the break lines form no part of the claimed design.

1 Claim, 8 Drawing Sheets



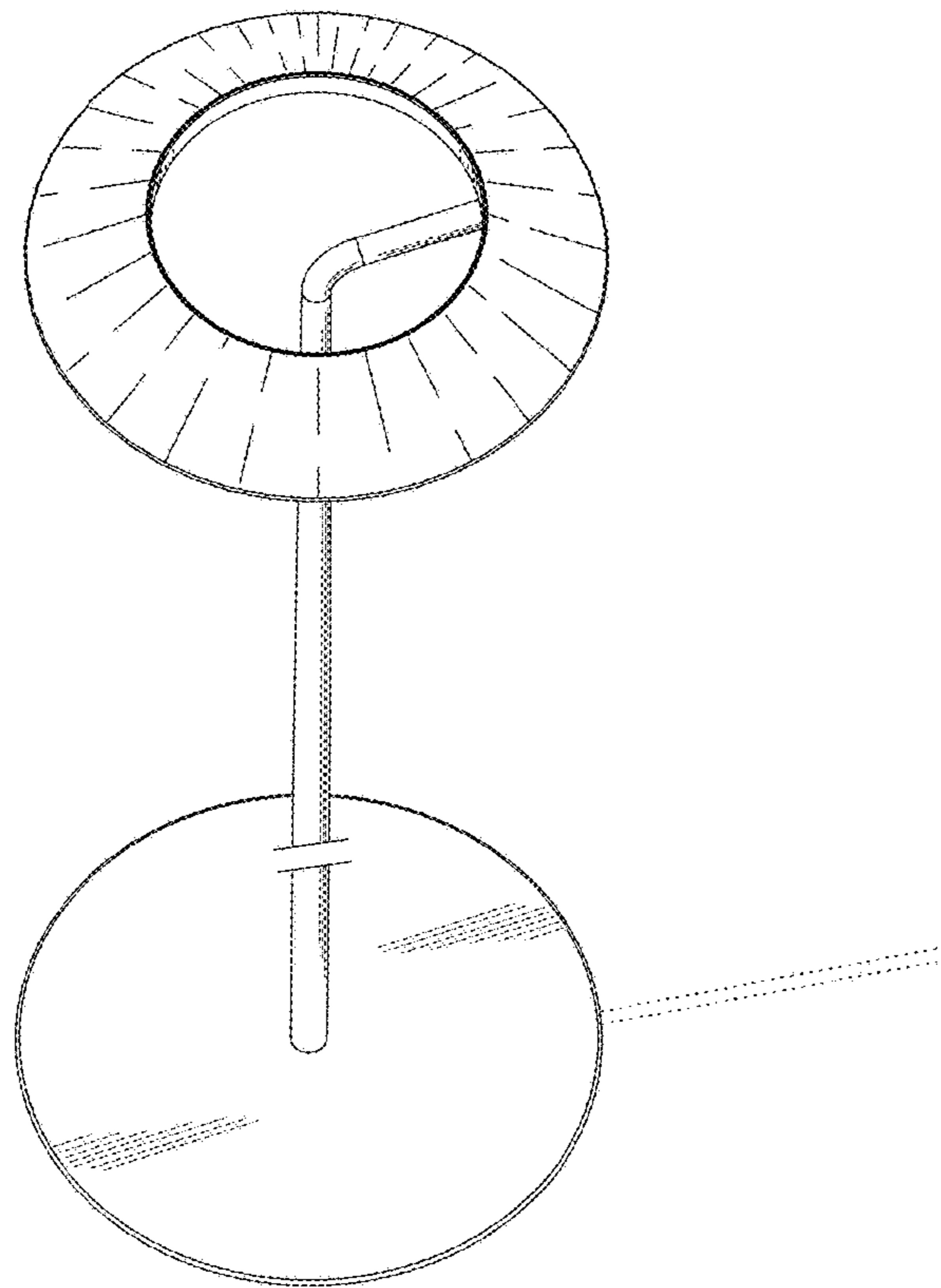


FIG. 1

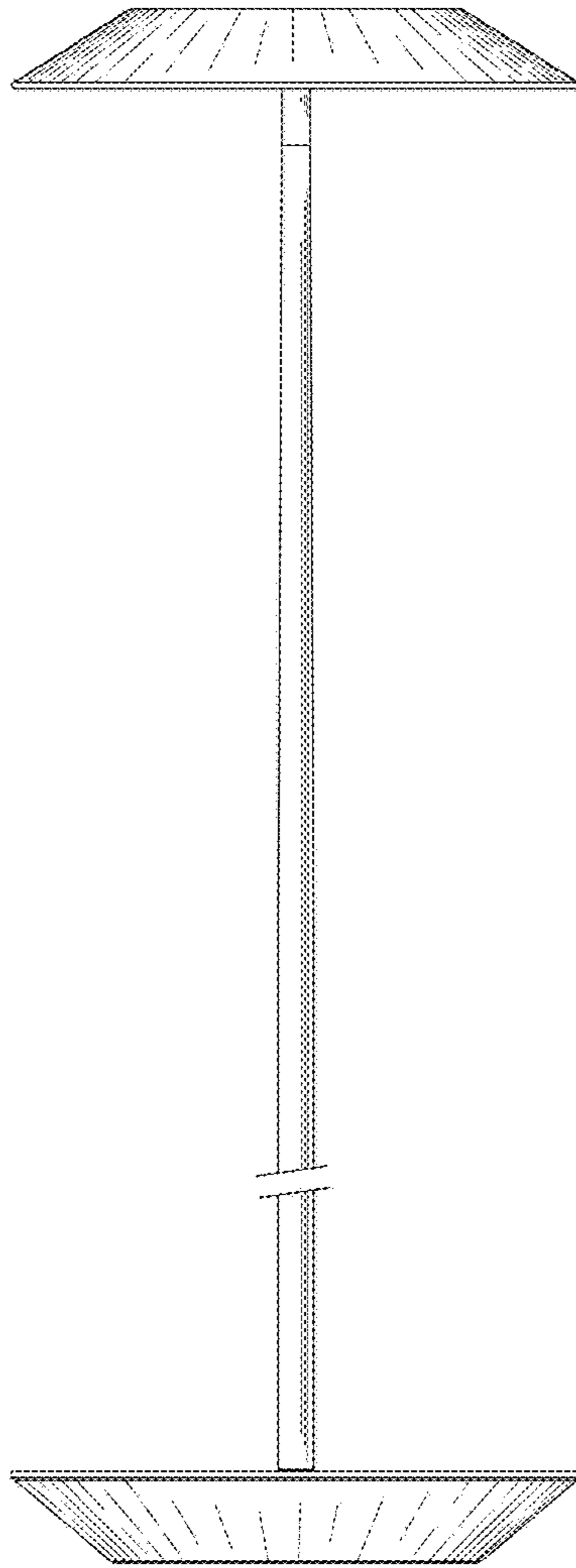


FIG. 2

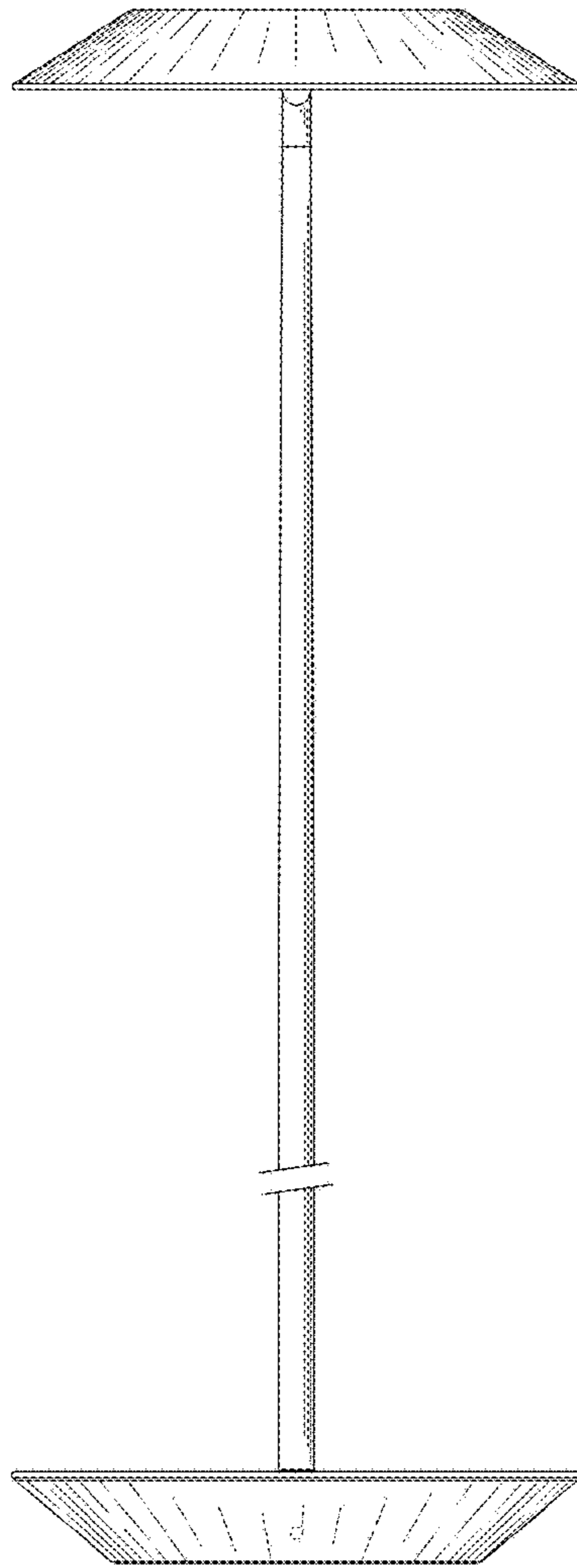


FIG. 3

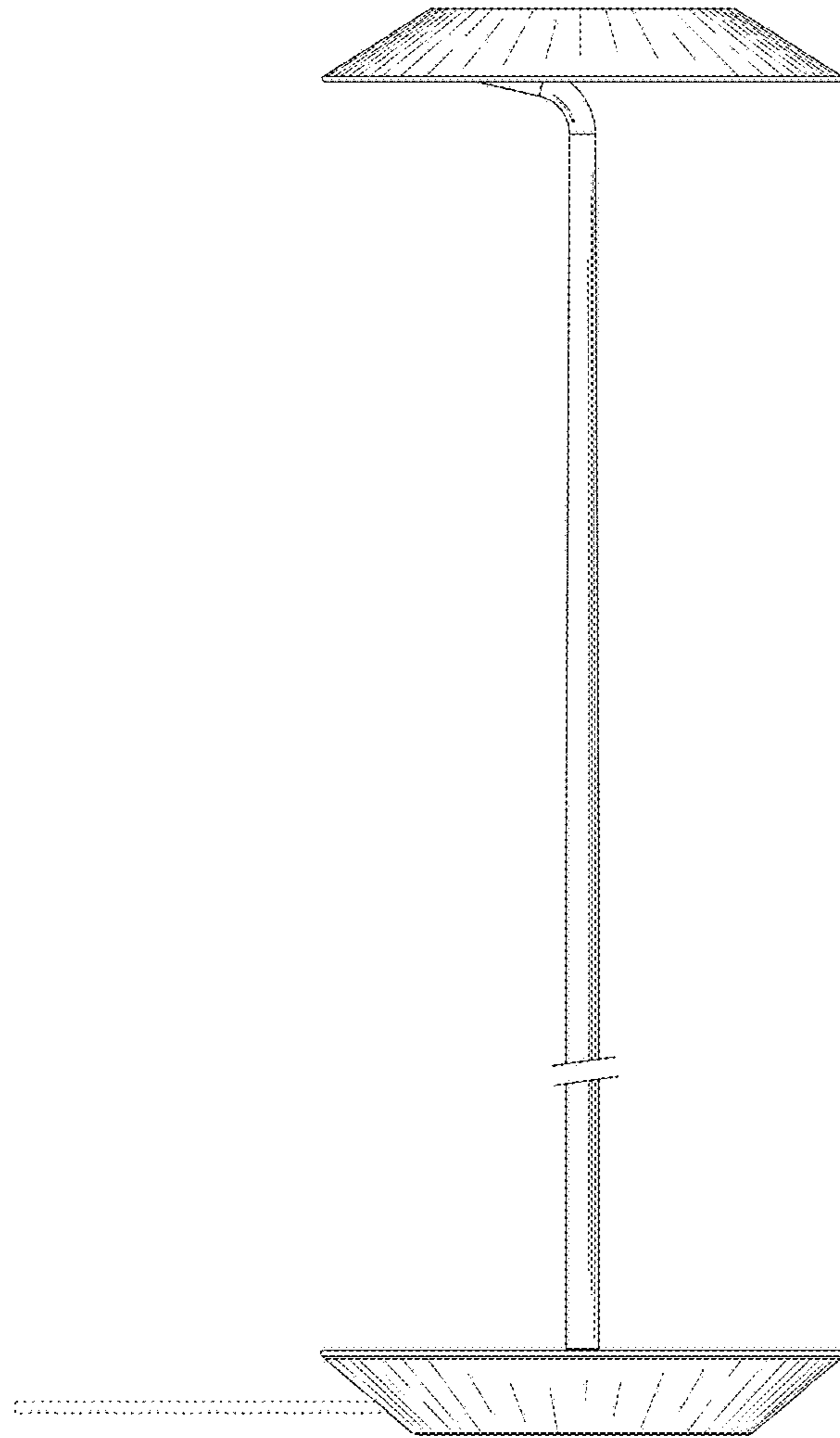


FIG. 4

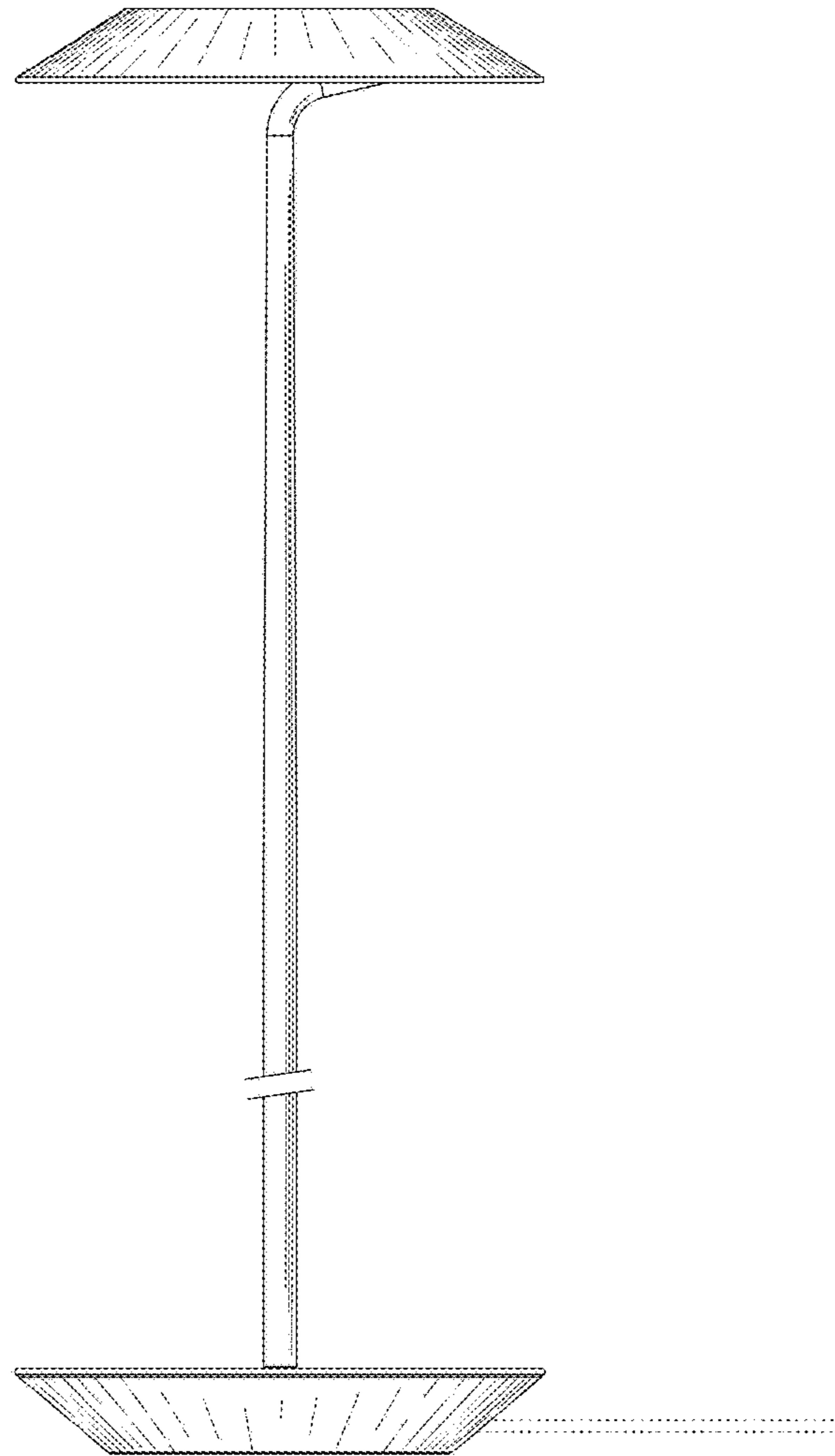


FIG. 5

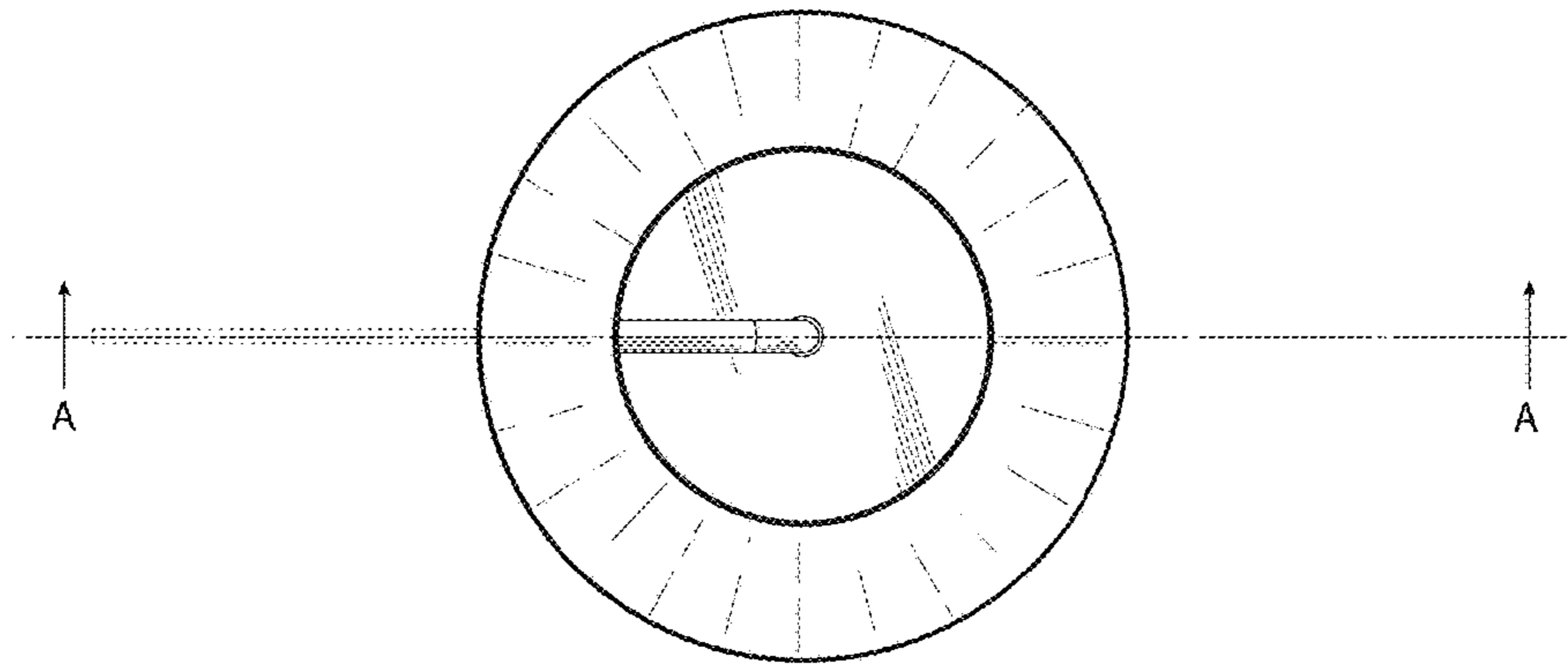


FIG. 6

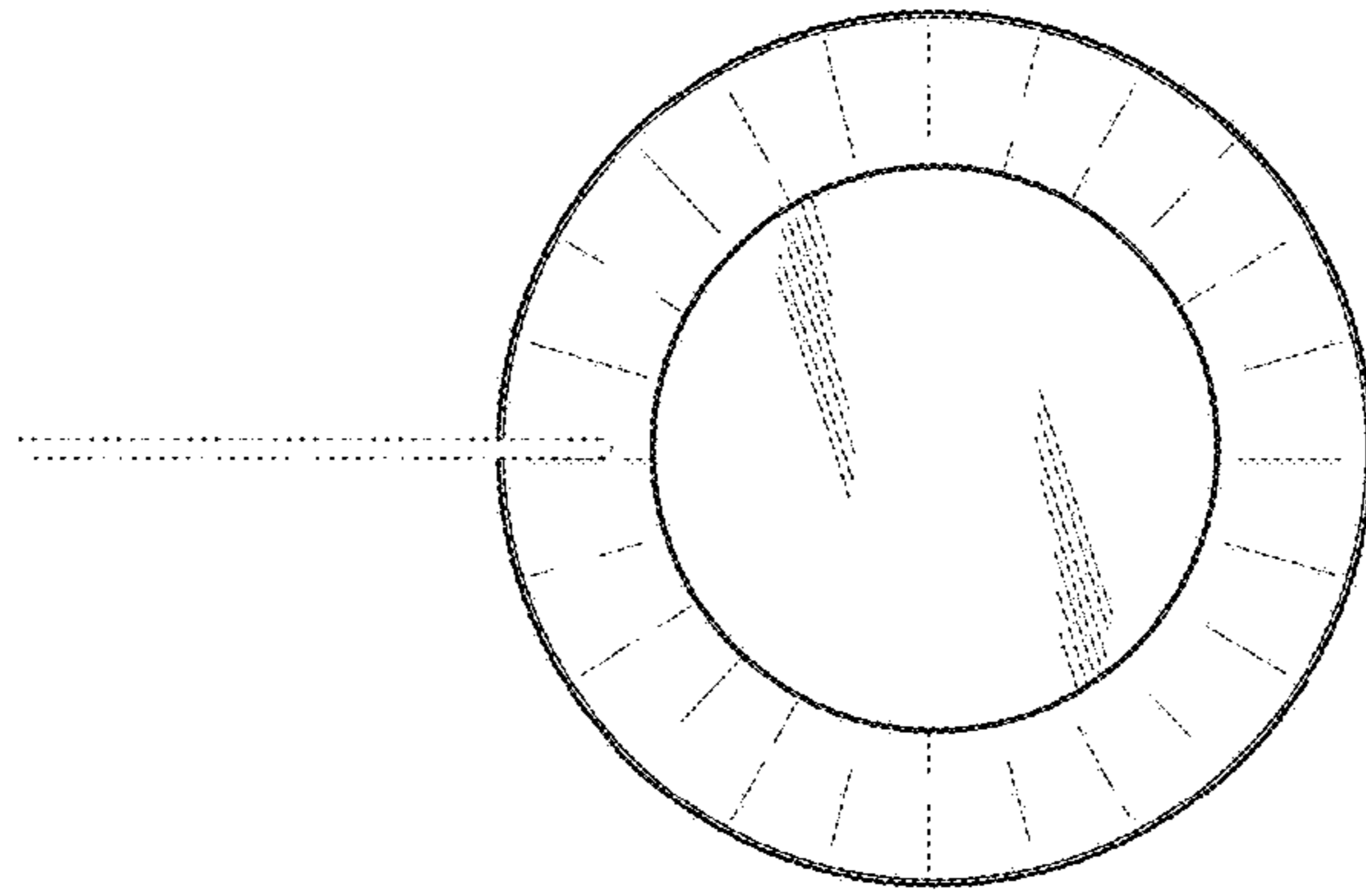
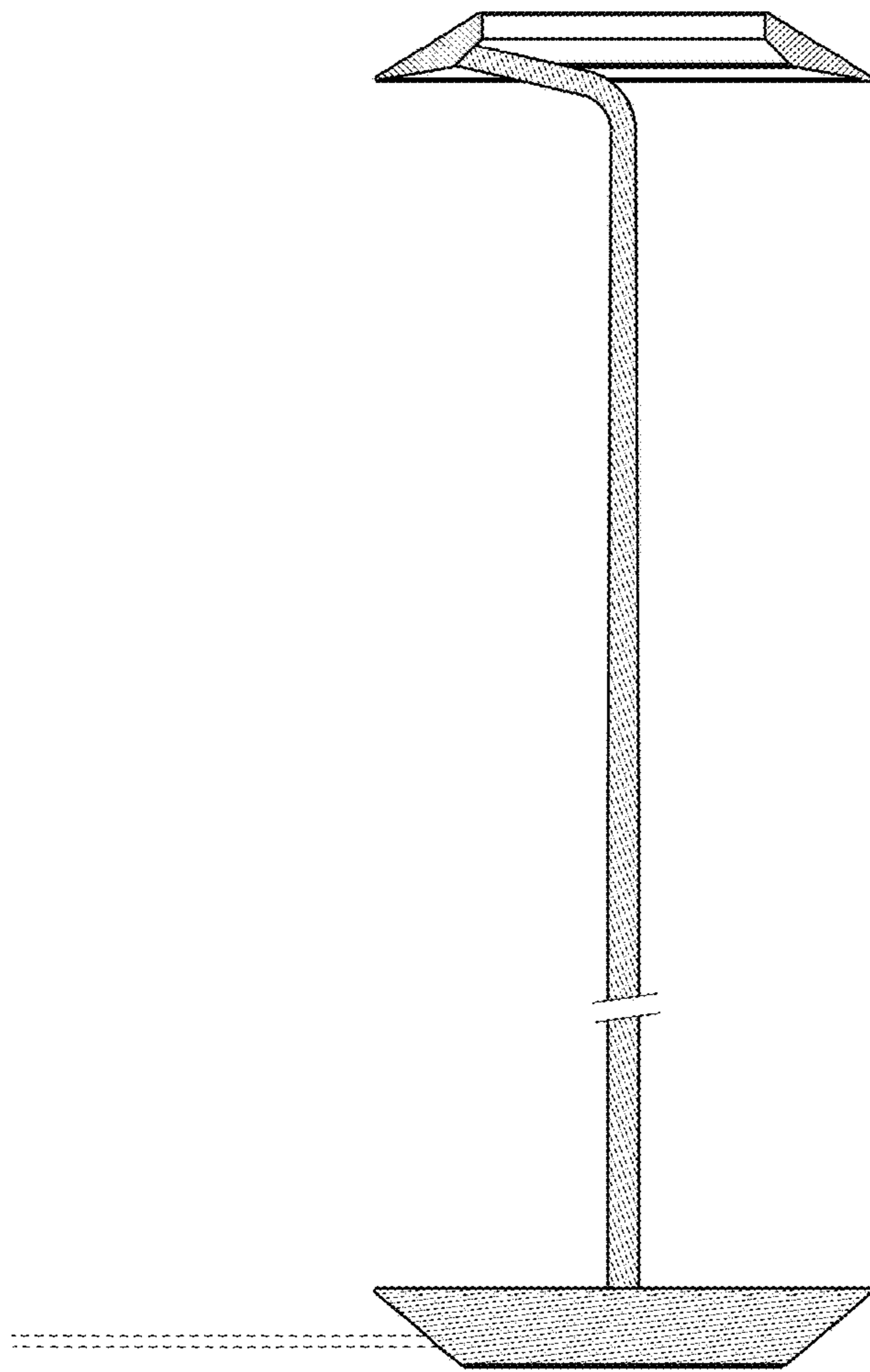


FIG. 7



A — A

FIG. 8