



US00D844882S

(12) **United States Design Patent** (10) **Patent No.:** **US D844,882 S**
Schuyler et al. (45) **Date of Patent:** **** Apr. 2, 2019**

(54) **LIGHT FIXTURE**
(71) Applicant: **SWAROVSKI LIGHTING, LTD.**,
Plattsburgh, NY (US)
(72) Inventors: **Andrew Schuyler**, Colchester, VT
(US); **Roslyn Yando**, Brainardsville,
NY (US); **Meredith Gratton**,
Plattsburgh, NY (US)
(73) Assignee: **SWAROVSKI LIGHTING, LTD.**,
Plattsburgh, NY (US)

D598,600 S * 8/2009 Chen D26/81
D605,347 S * 12/2009 Miranda D26/144
D636,519 S * 4/2011 Rabideau D26/144
D685,944 S * 7/2013 Vivian D26/81
D711,578 S * 8/2014 Naddeo D26/81
D713,586 S * 9/2014 Lastimoso D26/81
D786,480 S * 5/2017 Dolan D26/81
D809,178 S * 1/2018 Orozco D26/81
D809,179 S * 1/2018 Orozco D26/81
D822,270 S * 7/2018 Nishikawa D26/155
2006/0146548 A1 * 7/2006 Pazula F21S 8/065
362/405

(**) Term: **15 Years**
(21) Appl. No.: **35/001,310**
(22) Filed: **Jan. 9, 2017**

* cited by examiner
Primary Examiner — Darlington Ly
(74) *Attorney, Agent, or Firm* — Heslin Rothenberg
Farley & Mesiti P.C.

(80) **Hague Agreement Data**
Int. Filing Date: **Jan. 9, 2017**
Int. Reg. No.: **DM/094843**
Int. Reg. Date: **Jan. 9, 2017**
Int. Reg. Pub. Date: **Mar. 3, 2017**

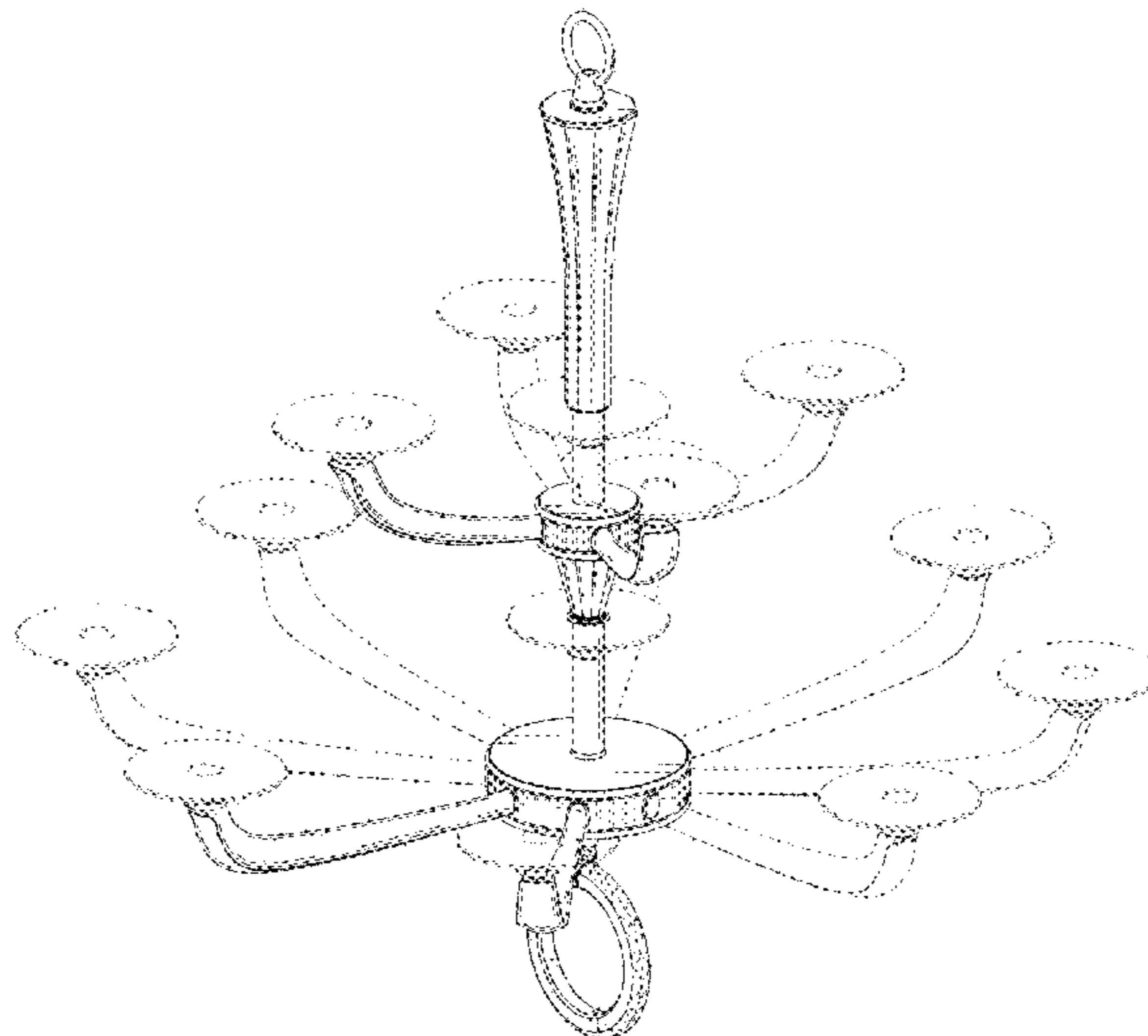
(51) **LOC (11) Cl.** **26-05**
(52) **U.S. Cl.**
USPC **D26/81**
(58) **Field of Classification Search**
USPC ... D26/72, 73, 81, 84, 88, 90, 118, 127-137
CPC F21S 8/03; F21S 8/033; F21S 8/036; F21S
8/04; F21S 8/043; F21S 8/046; F21S
8/06; F21S 8/061; F21S 8/063; F21S
8/065; F21S 8/068
See application file for complete search history.

(56) **References Cited**
U.S. PATENT DOCUMENTS
D578,700 S * 10/2008 Chen D26/81
D583,089 S * 12/2008 Orozco D26/81

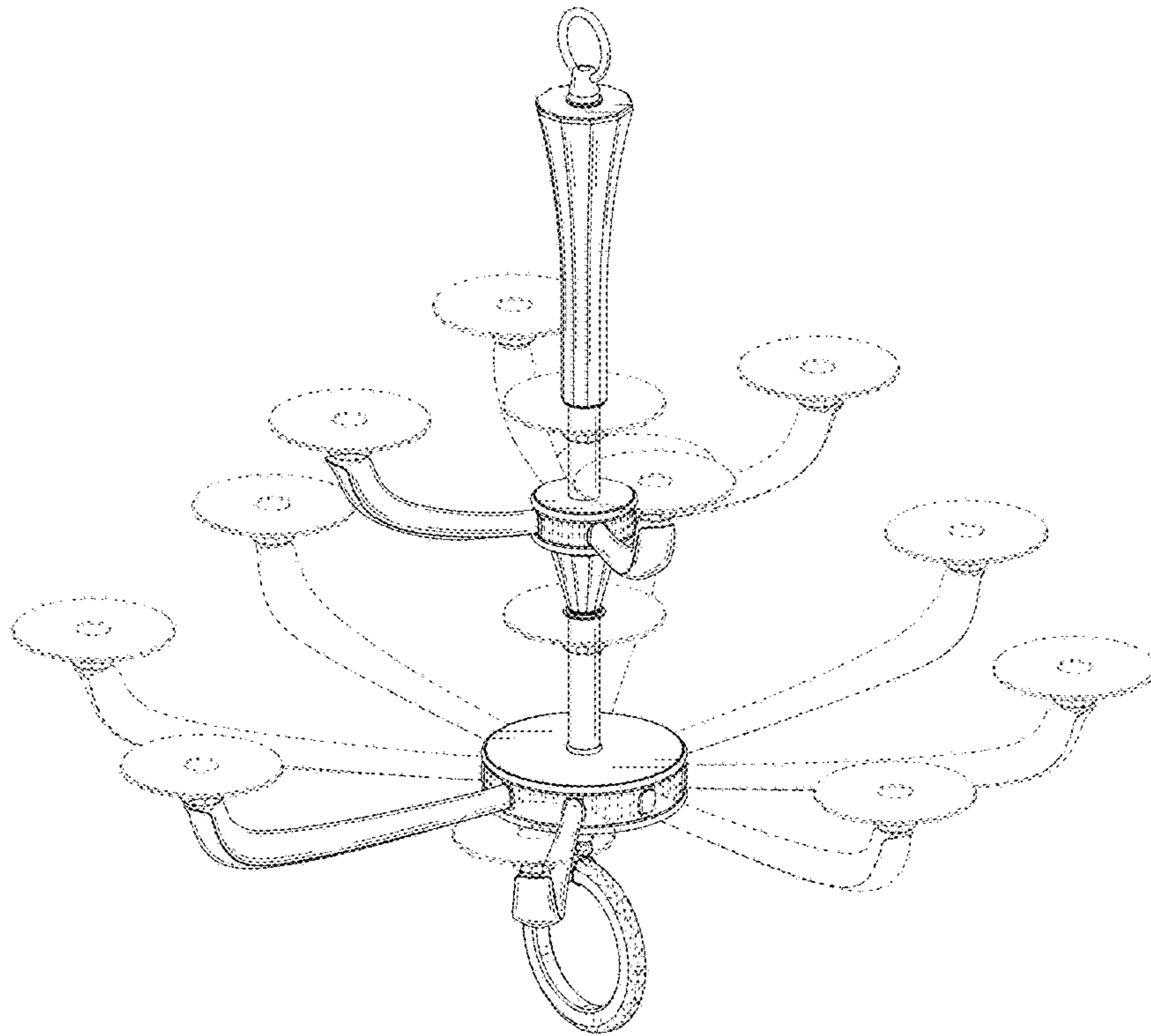
(57) **CLAIM**
The ornamental design for a light fixture, as shown and
described.

DESCRIPTION
2.1 is a perspective view of a light fixture showing our new
design;
2.2 is a front elevation view thereof;
2.3 is a rear elevation view thereof;
2.4 is a top plan view thereof;
2.5 is a bottom plan view thereof;
2.6 is a left side elevation view thereof; and
2.7 is a right side elevation view thereof.
The broken lines in the reproductions illustrate portions of
the light fixture that form no part of the claimed design.

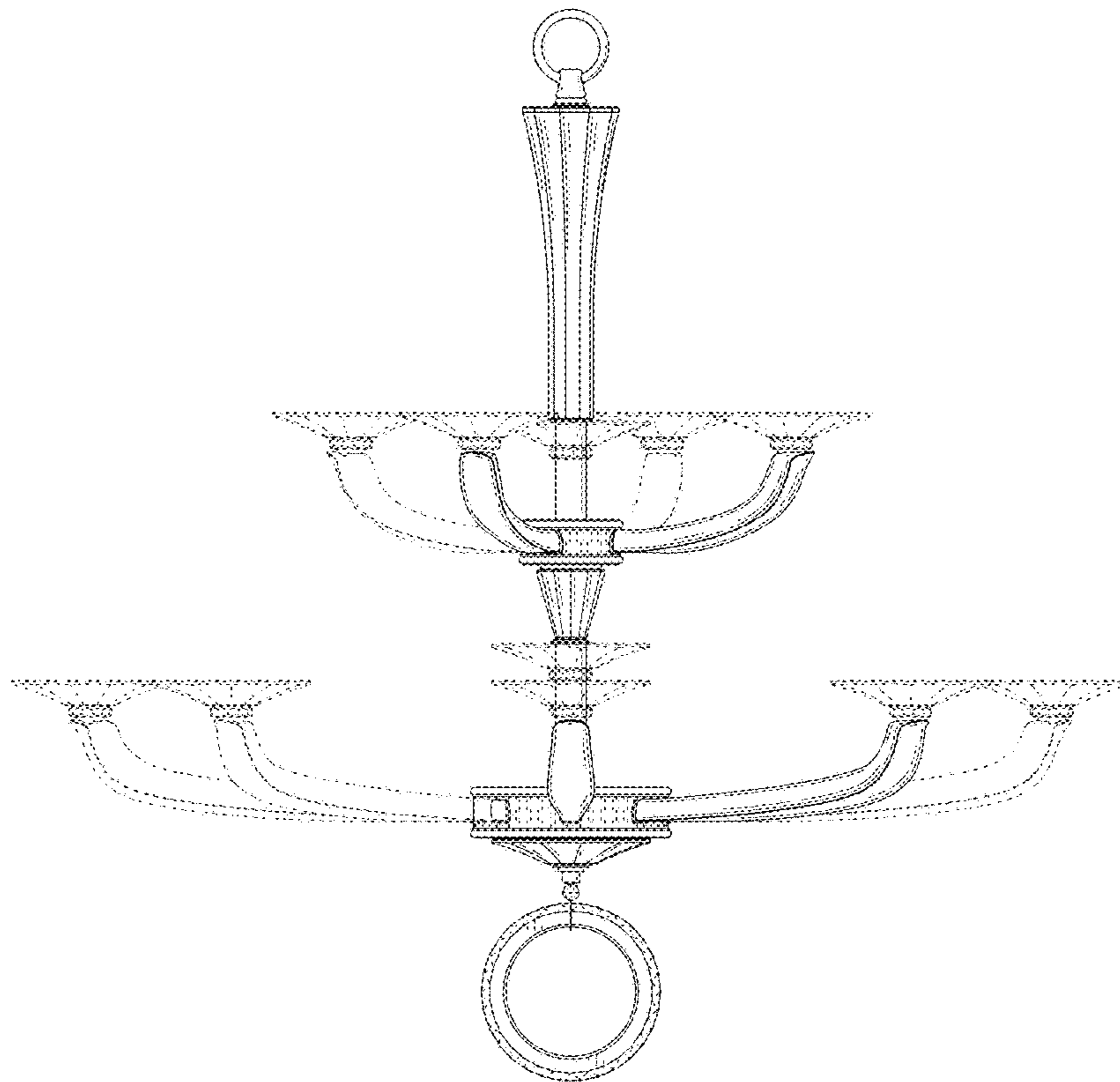
1 Claim, 7 Drawing Sheets



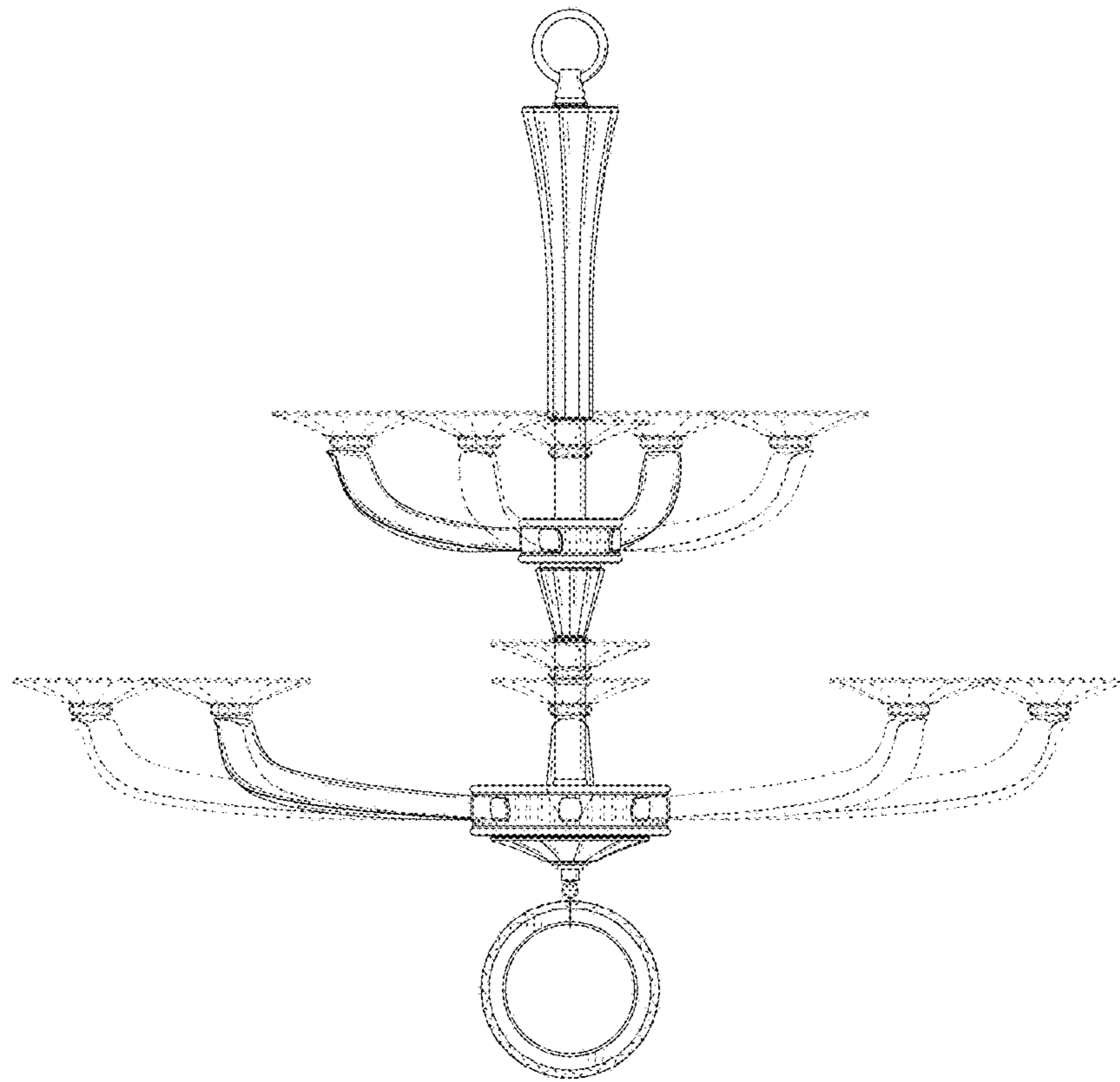
2.1



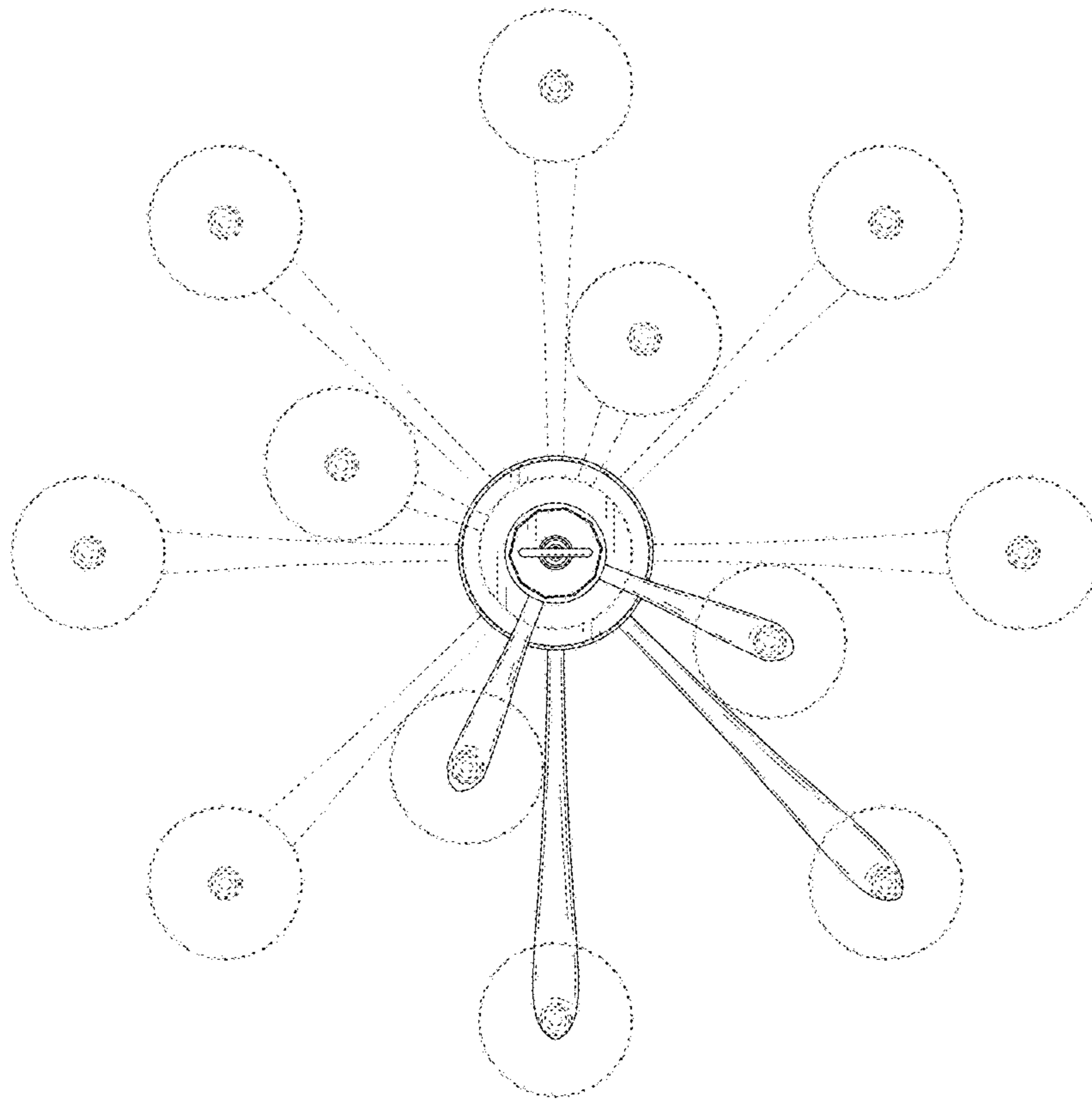
2.2



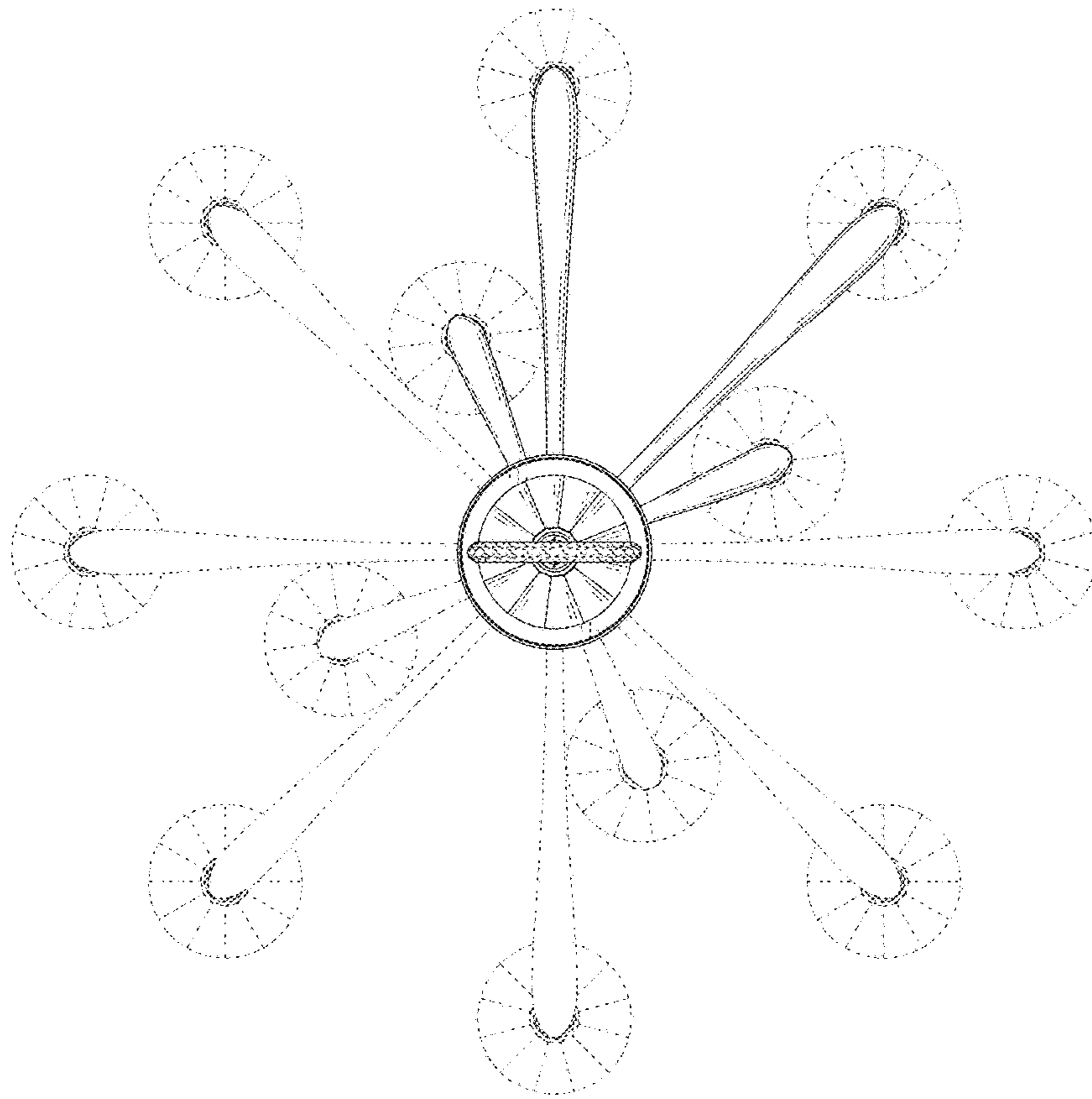
2.3



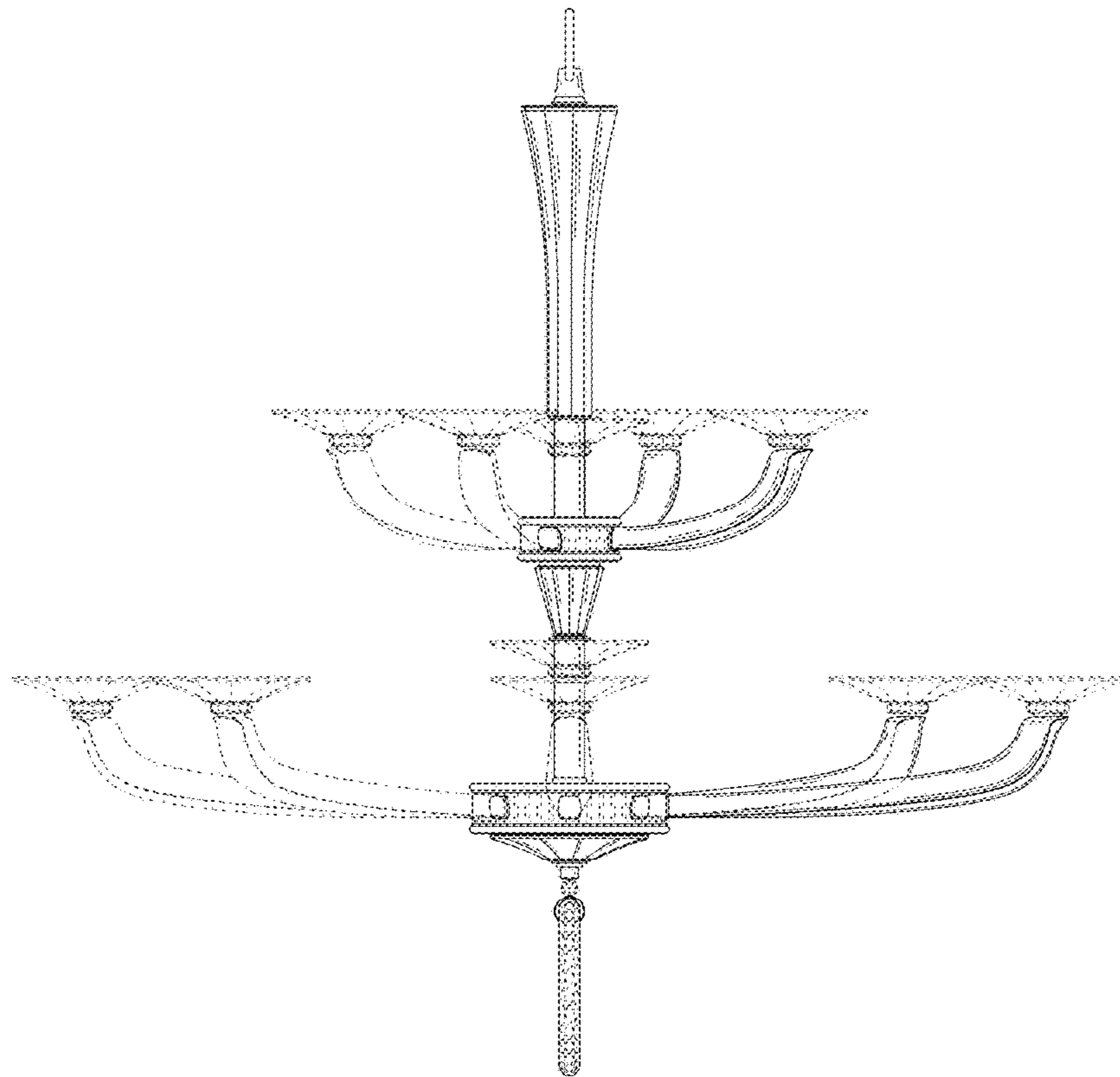
2.4



2.5



2.6



2.7

