



US00D844881S

(12) **United States Design Patent**  
**Gardner**

(10) **Patent No.:** **US D844,881 S**

(45) **Date of Patent:** **\*\* Apr. 2, 2019**

(54) **LIGHTING FIXTURE**

(71) Applicant: **Kichler Lighting LLC**, Cleveland, OH (US)

(72) Inventor: **Amanda Gardner**, Broadview Heights, OH (US)

(73) Assignee: **Kichler Lighting, LLC**, Cleveland, OH (US)

(\*\*) Term: **15 Years**

(21) Appl. No.: **29/598,539**

(22) Filed: **Mar. 27, 2017**

**Related U.S. Application Data**

(63) Continuation of application No. 29/505,144, filed on Jun. 12, 2015, now abandoned.

(51) **LOC (11) Cl.** ..... **26-03**

(52) **U.S. Cl.**  
USPC ..... **D26/81**

(58) **Field of Classification Search**  
USPC ..... D26/80, 81, 82, 83, 84, 85, 86, 88, 90, D26/91

CPC ..... F21S 8/03; F21S 8/04; F21S 8/043; F21S 8/046; F21S 8/06; F21S 8/061; F21S 8/063; F21S 8/065

See application file for complete search history.

(56) **References Cited**

**U.S. PATENT DOCUMENTS**

2,804,542 A \* 8/1957 Siegel ..... F21S 8/06 362/405  
D304,092 S \* 10/1989 Glassman ..... D26/85  
D406,375 S \* 3/1999 Davis, Jr. .... D26/84  
D429,360 S \* 8/2000 Chelf ..... D26/86  
D438,662 S \* 3/2001 Chelf ..... D26/80

D755,432 S \* 5/2016 Orozco ..... D26/82  
2014/0268743 A1 \* 9/2014 Park ..... F21V 7/00 362/235  
2016/0097517 A1 \* 4/2016 Loehr ..... F21S 8/063 362/294

**OTHER PUBLICATIONS**

Titus 8-Light Pendant/Chandelier by Kichler. Found at houzz.com visited Jul. 20, 2018. (Year: 2018).\*

Wicker Park 37" Pendant Light by Vaxcel. Found at houzz.com visited Jul. 20, 2018. (Year: 2018).\*

Audra Metal Mesh 6-Light Pendant by Edvivi Lighting. Found at houzz.com visited Jul. 20, 2018. (Year: 2018).\*

\* cited by examiner

*Primary Examiner* — Clare E Heflin

(74) *Attorney, Agent, or Firm* — Brooks Kushman P.C.

(57) **CLAIM**

I claim the ornamental design for a lighting fixture, as shown and described.

**DESCRIPTION**

FIG. 1 is a perspective view of a first embodiment of the lighting fixture;

FIG. 2 is a front view of the lighting fixture of FIG. 1.

FIG. 3 is a side view of the lighting fixture of FIG. 1.

FIG. 4 is a top view of the lighting fixture of FIG. 1.

FIG. 5 is a perspective view of a second embodiment of the lighting fixture;

FIG. 6 is a front view of the lighting fixture of FIG. 5.

FIG. 7 is a bottom view of the lighting fixture of FIG. 5.

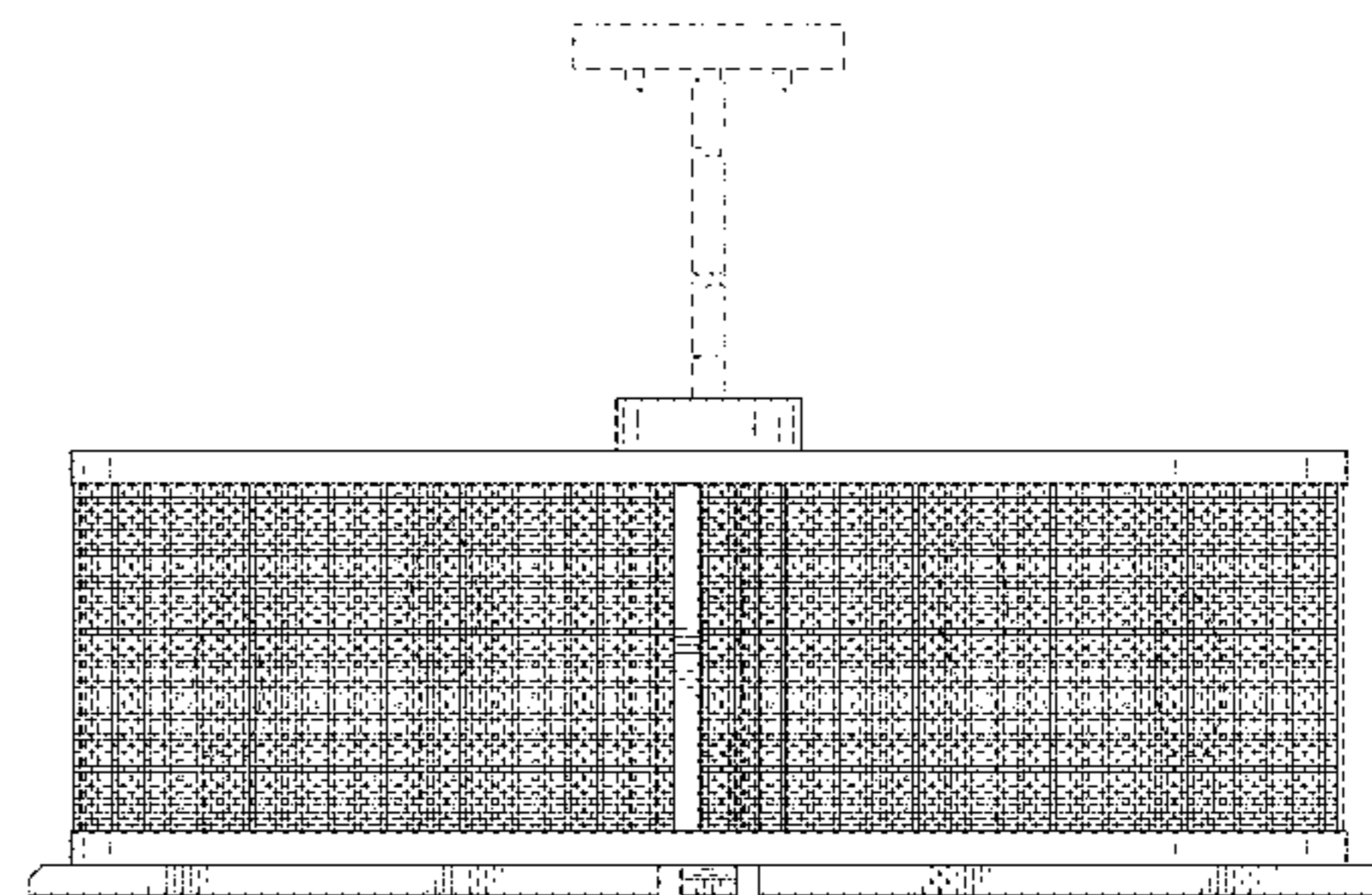
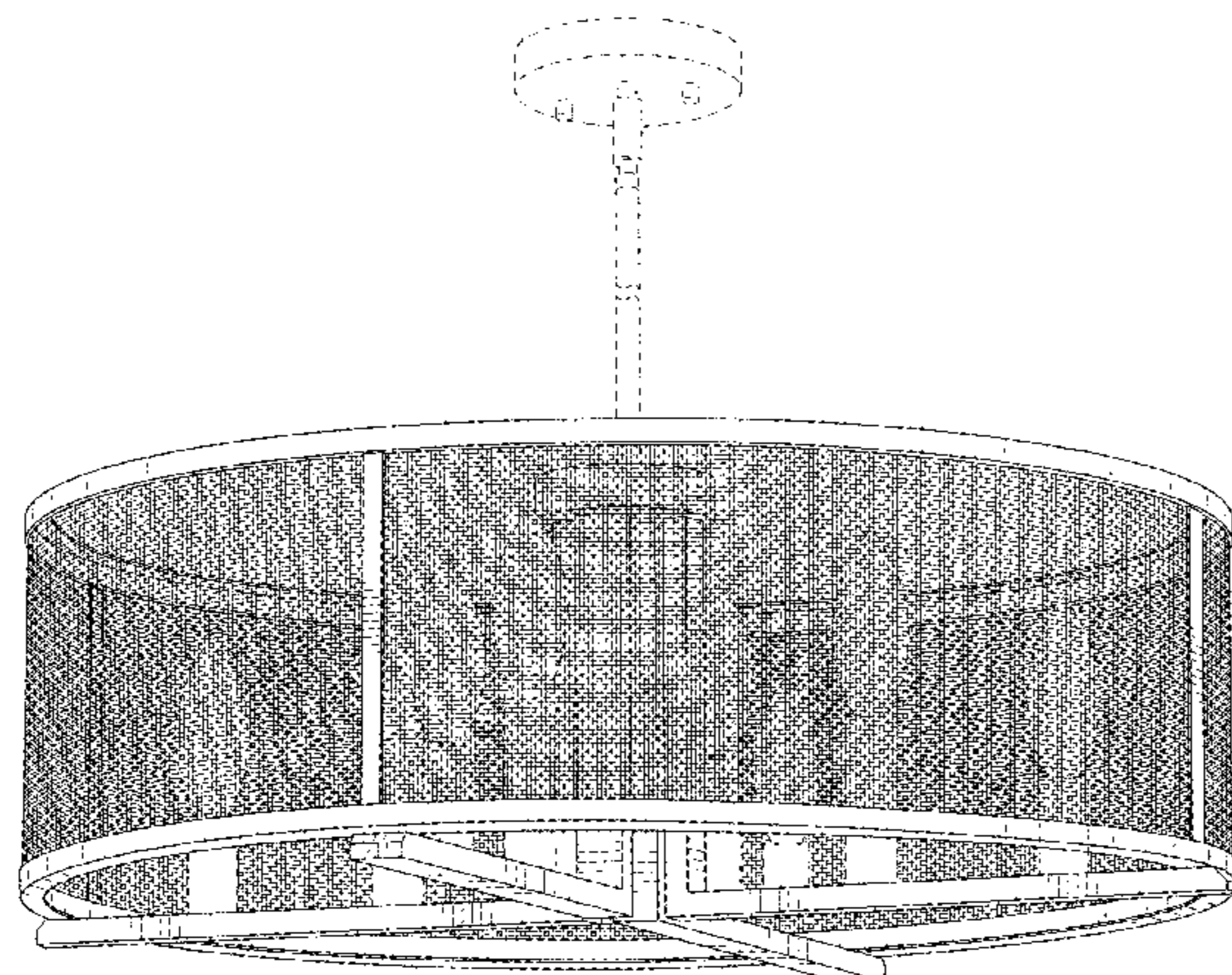
FIG. 8 is a perspective view of a third embodiment of the lighting fixture;

FIG. 9 is a front view of the lighting fixture of FIG. 8; and,

FIG. 10 is a bottom view of the lighting fixture of FIG. 8.

The broken lines shown on the drawings depict portions of the lighting fixture that form no part of the claimed design.

**1 Claim, 10 Drawing Sheets**



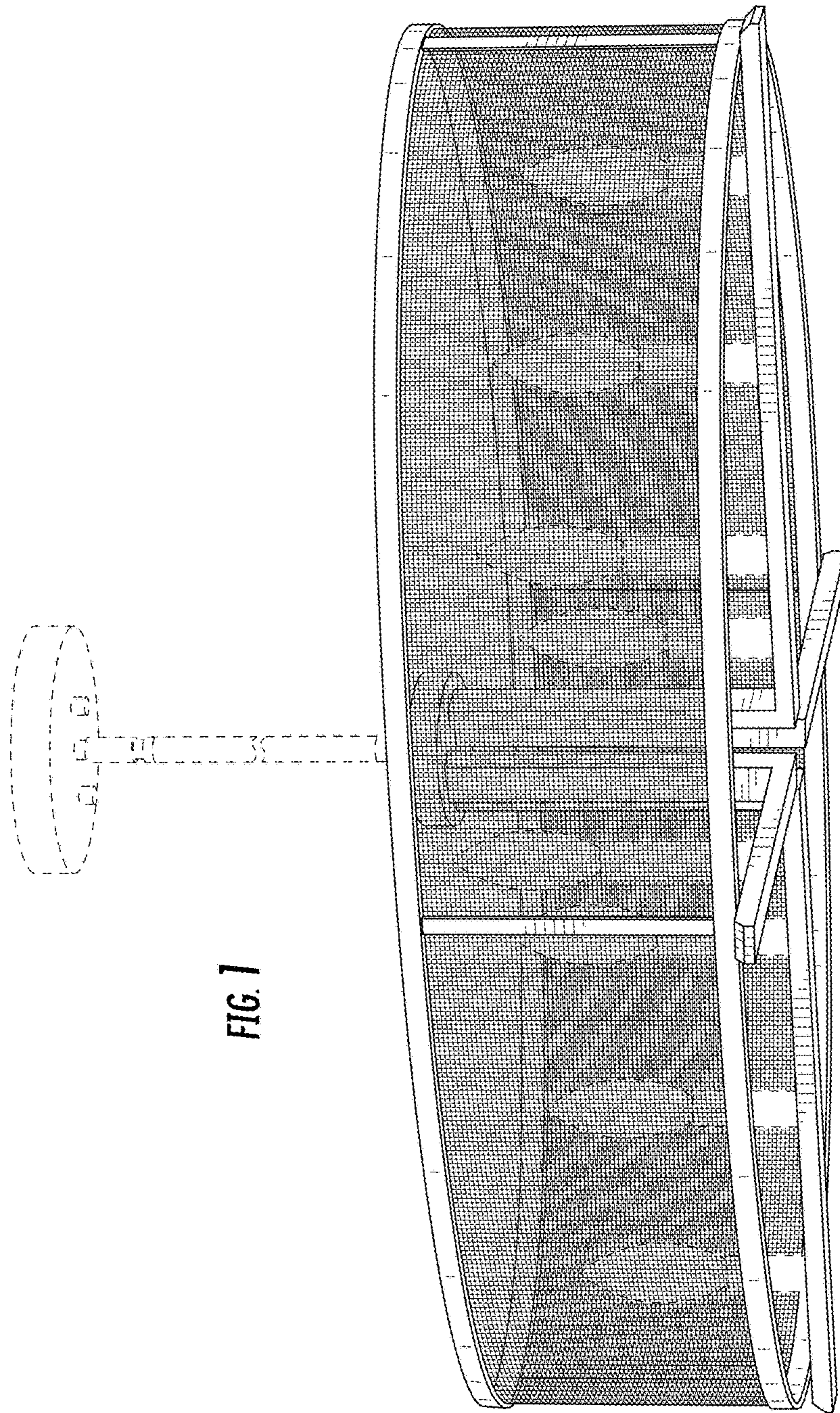


FIG. 1

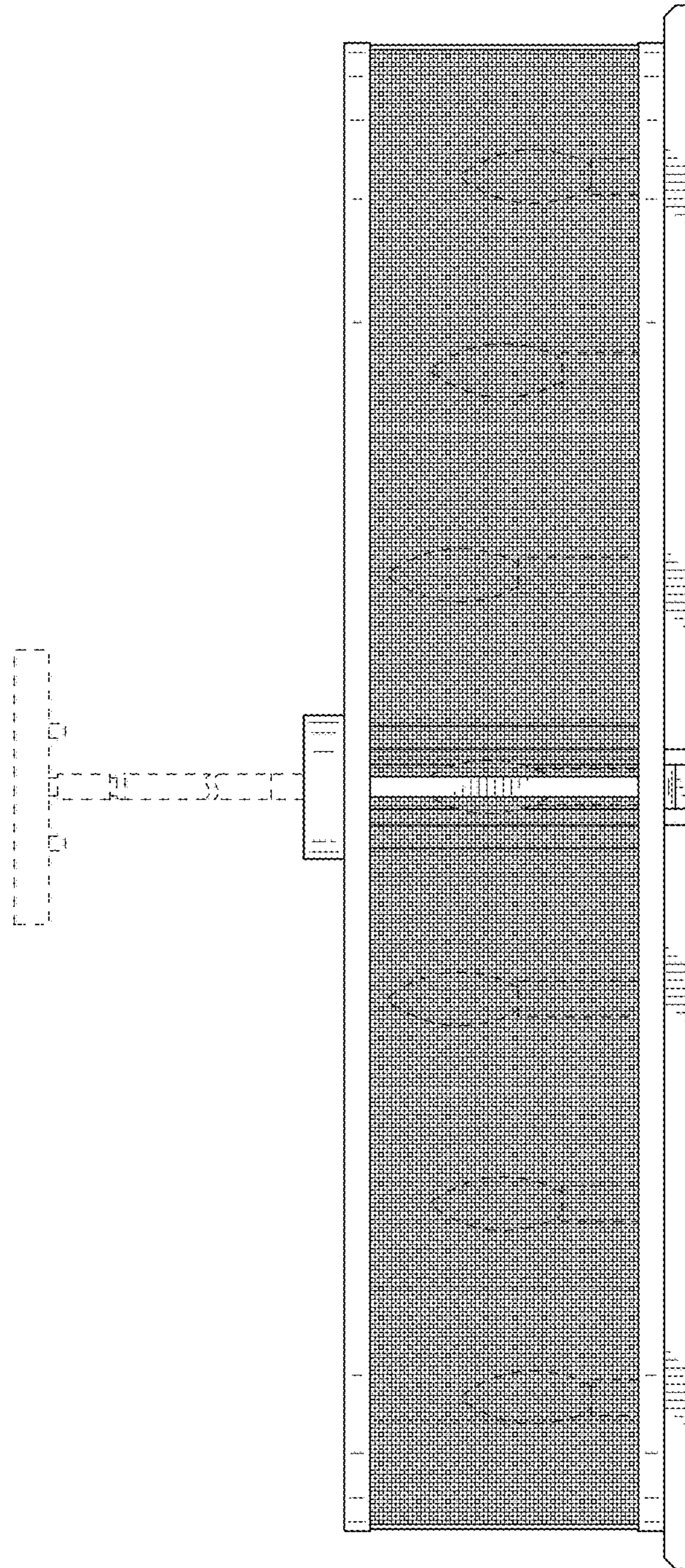


FIG. 2

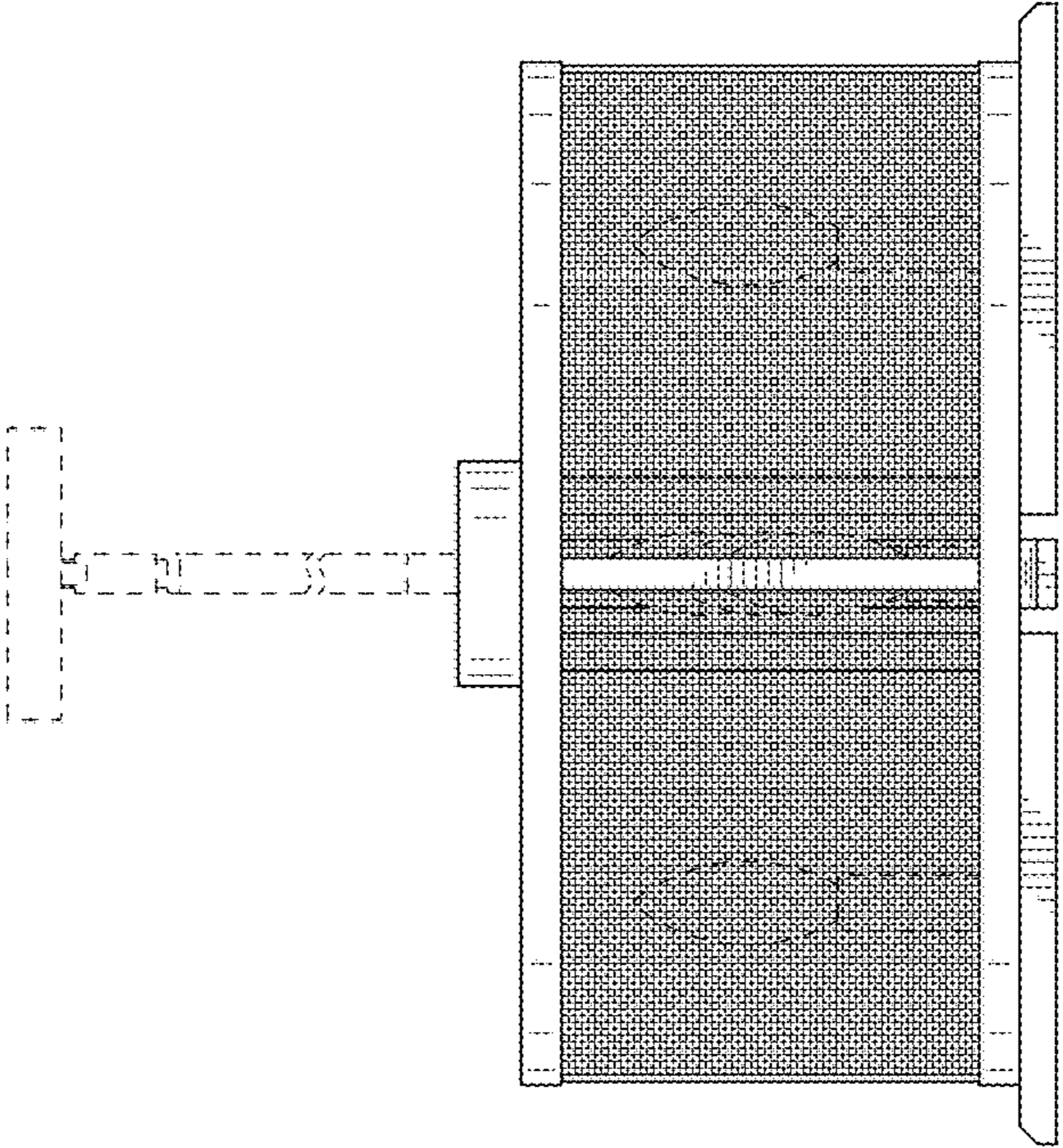


FIG. 3

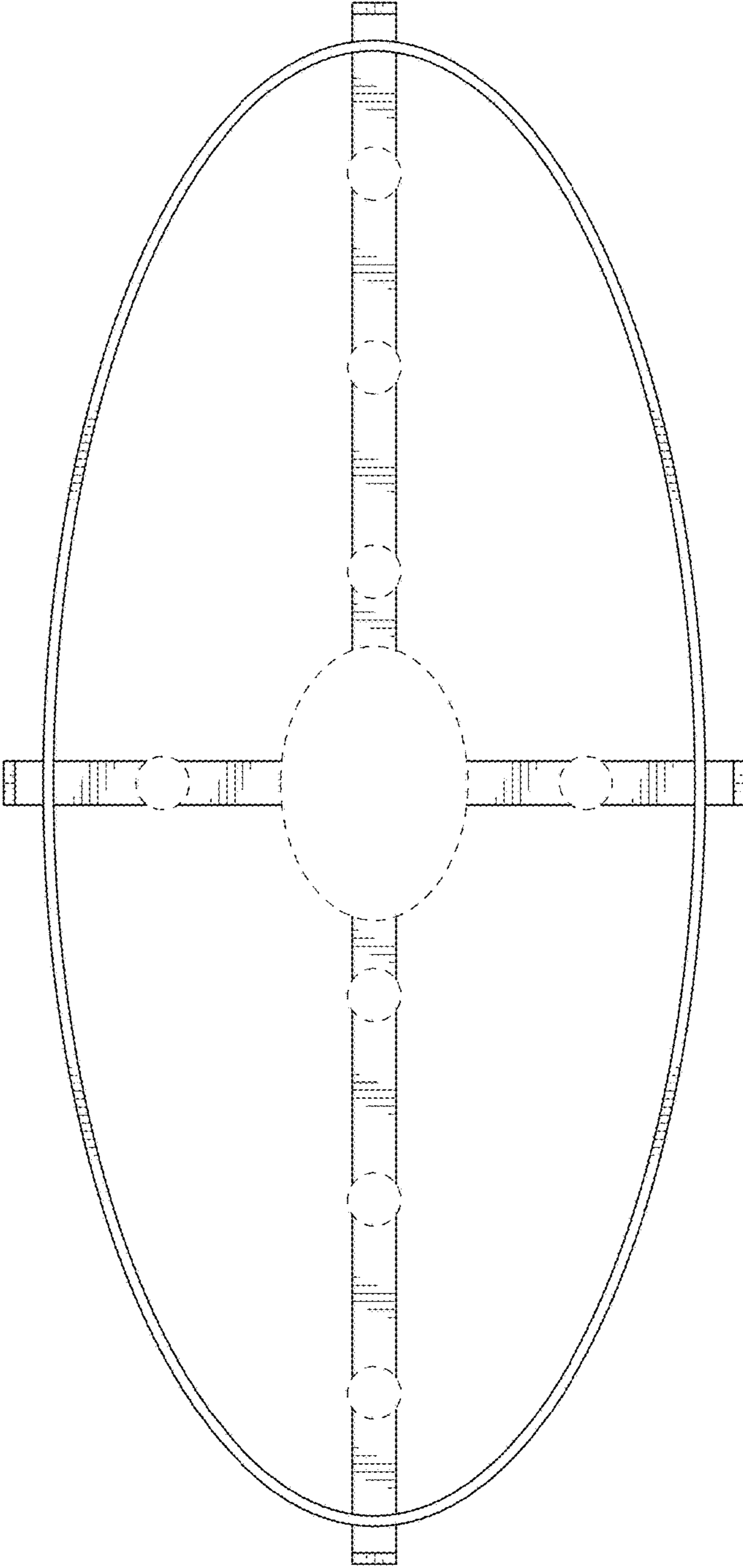


FIG. 4

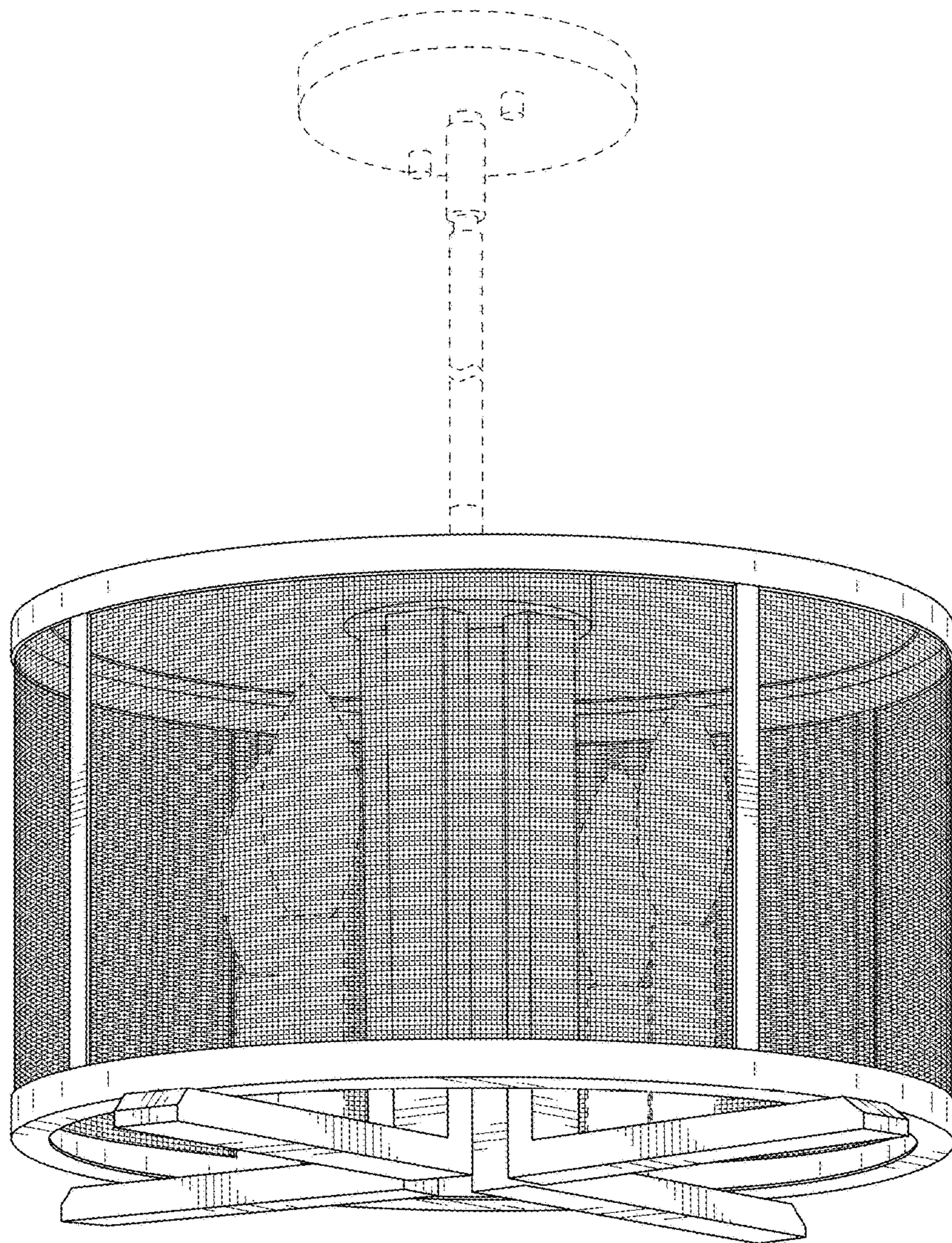


FIG. 5

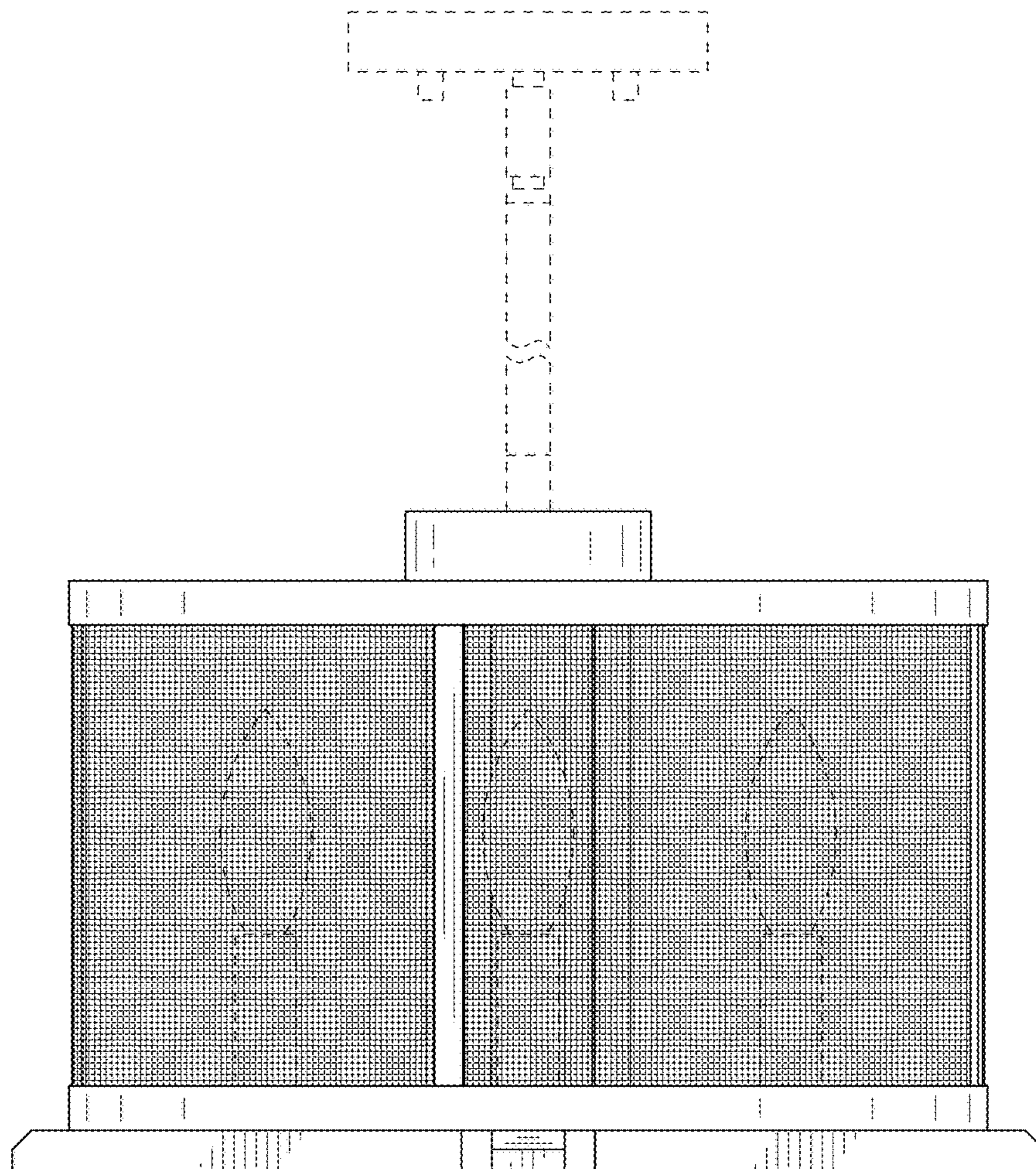


FIG. 6

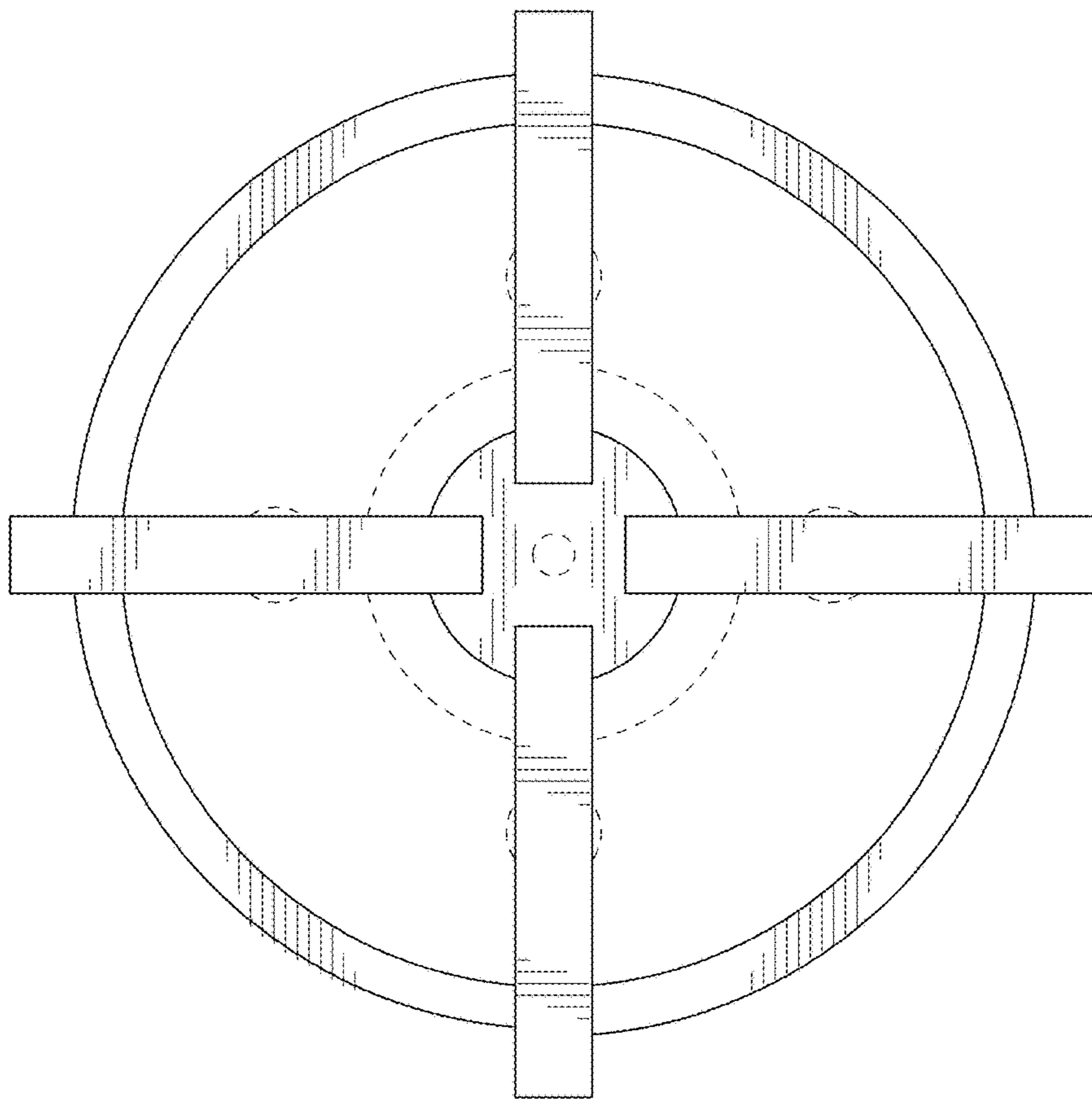


FIG. 7



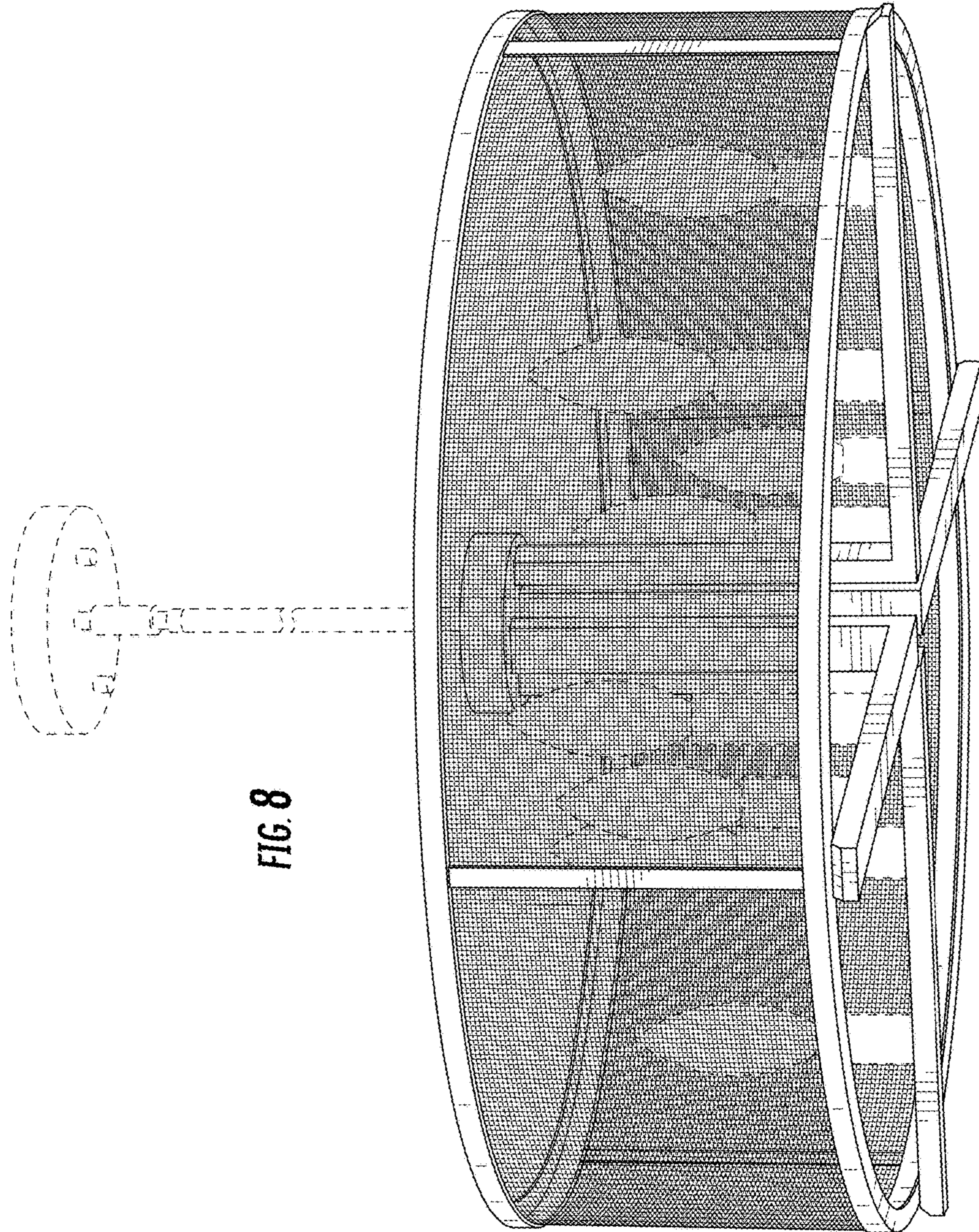


FIG. 8

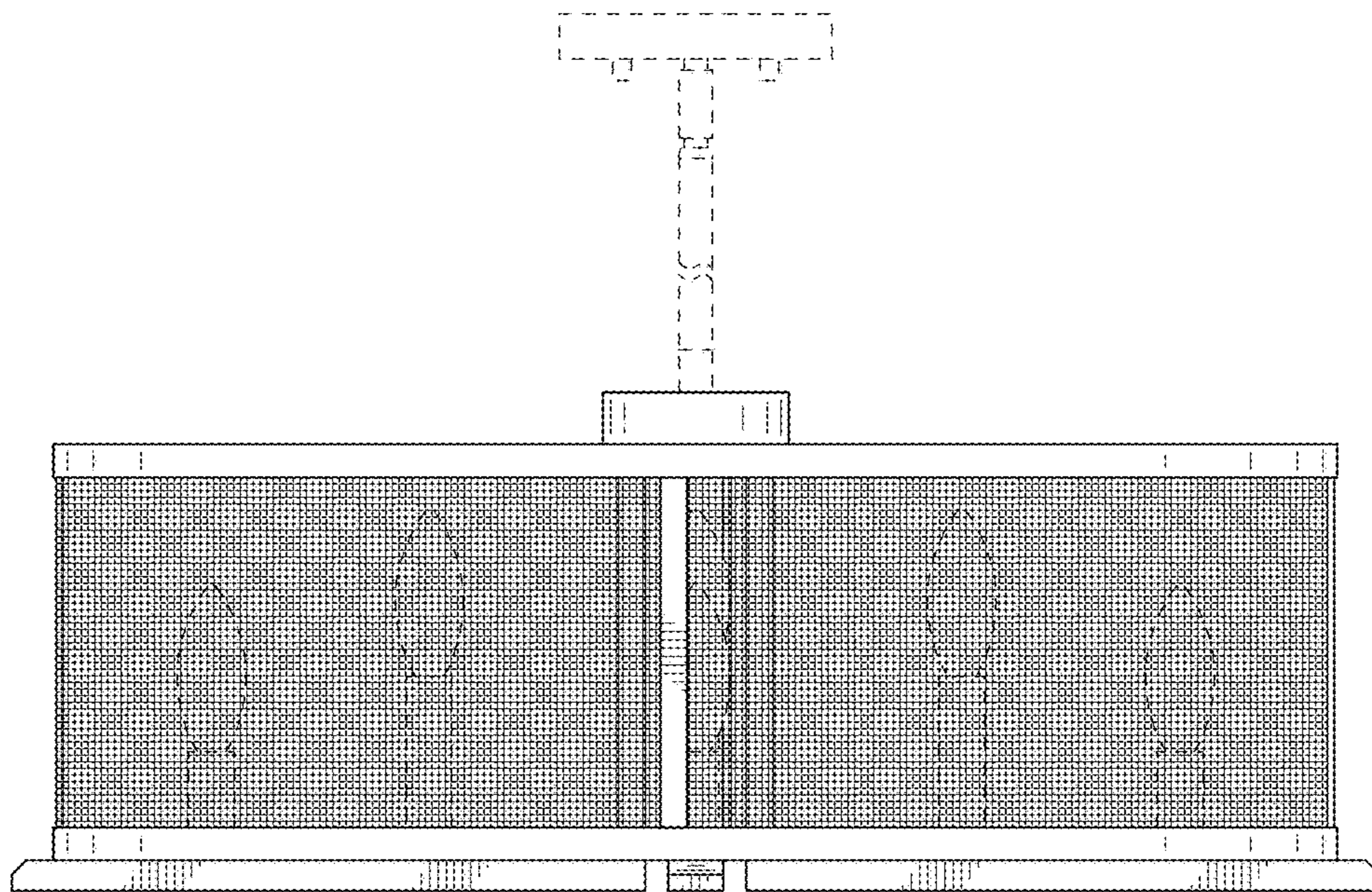
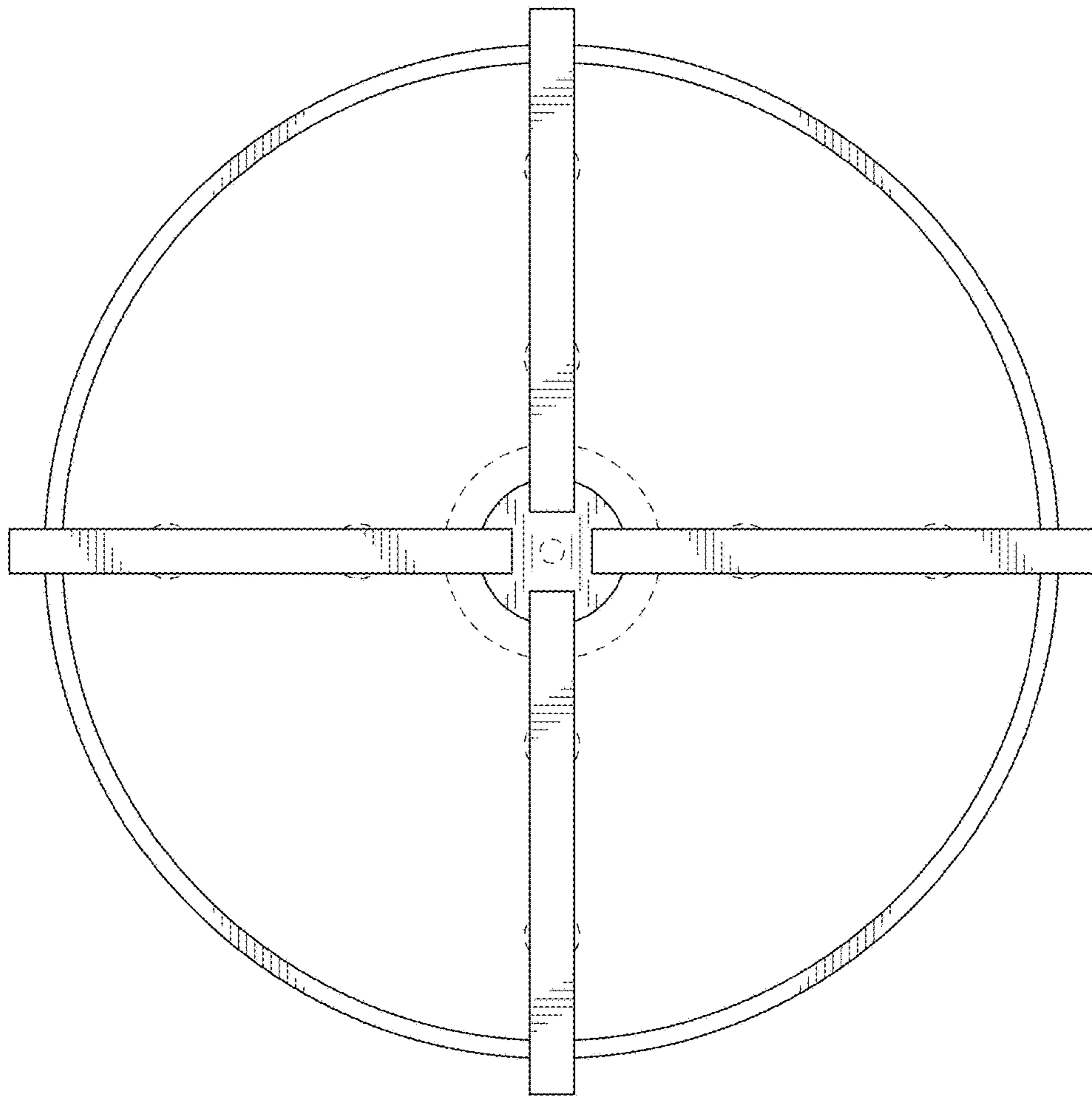


FIG. 9



**FIG. 10**