



US00D844879S

(12) **United States Design Patent**  
**Yu**

(10) **Patent No.:** **US D844,879 S**

(45) **Date of Patent:** **\*\* Apr. 2, 2019**

(54) **LED HOUSING**

(71) Applicant: **Chung Han Yu**, City of Industry, CA (US)

(72) Inventor: **Chung Han Yu**, City of Industry, CA (US)

(\*\*) Term: **15 Years**

(21) Appl. No.: **29/601,648**

(22) Filed: **Apr. 25, 2017**

(51) **LOC (11) Cl.** ..... **26-05**

(52) **U.S. Cl.**  
USPC ..... **D26/71**

(58) **Field of Classification Search**  
USPC ..... D10/111-115; D26/67-85, 92; D29/103  
CPC .. F21S 8/033; F21S 8/036; F21S 8/043; F21S 8/081; F21S 8/085; F21S 8/086; F21S 8/088; F21V 29/74; F21V 29/75; F21V 29/83; F21V 29/507

See application file for complete search history.

(56) **References Cited**

**U.S. PATENT DOCUMENTS**

D591,445 S *	4/2009	Guercio	.....	D26/71
7,798,670 B2 *	9/2010	Kinnune	.....	F21V 15/01 362/217.1
D634,878 S *	3/2011	Guercio	.....	D26/71
D634,879 S *	3/2011	Guercio	.....	D26/69
D676,180 S *	2/2013	Sandell	.....	D26/92
D688,404 S *	8/2013	Boissevain	.....	D26/71
D693,044 S *	11/2013	Lu	.....	D26/71

D713,987 S *	9/2014	Toms	.....	D26/92
D742,577 S *	11/2015	Duckworth	.....	D26/92
D748,318 S *	1/2016	Bobel	.....	D26/92
2009/0185374 A1 *	7/2009	Wu	.....	F21S 8/086 362/249.06
2014/0119036 A1 *	5/2014	Kinnune	.....	F21V 21/00 362/427
2016/0186980 A1 *	6/2016	Ladewig	.....	F21S 2/00 362/234

\* cited by examiner

*Primary Examiner* — Kevin K Rudzinski

*Assistant Examiner* — Richard Kearney

(74) *Attorney, Agent, or Firm* — Saul Ewing Arnstein & Lehr LLP

(57) **CLAIM**

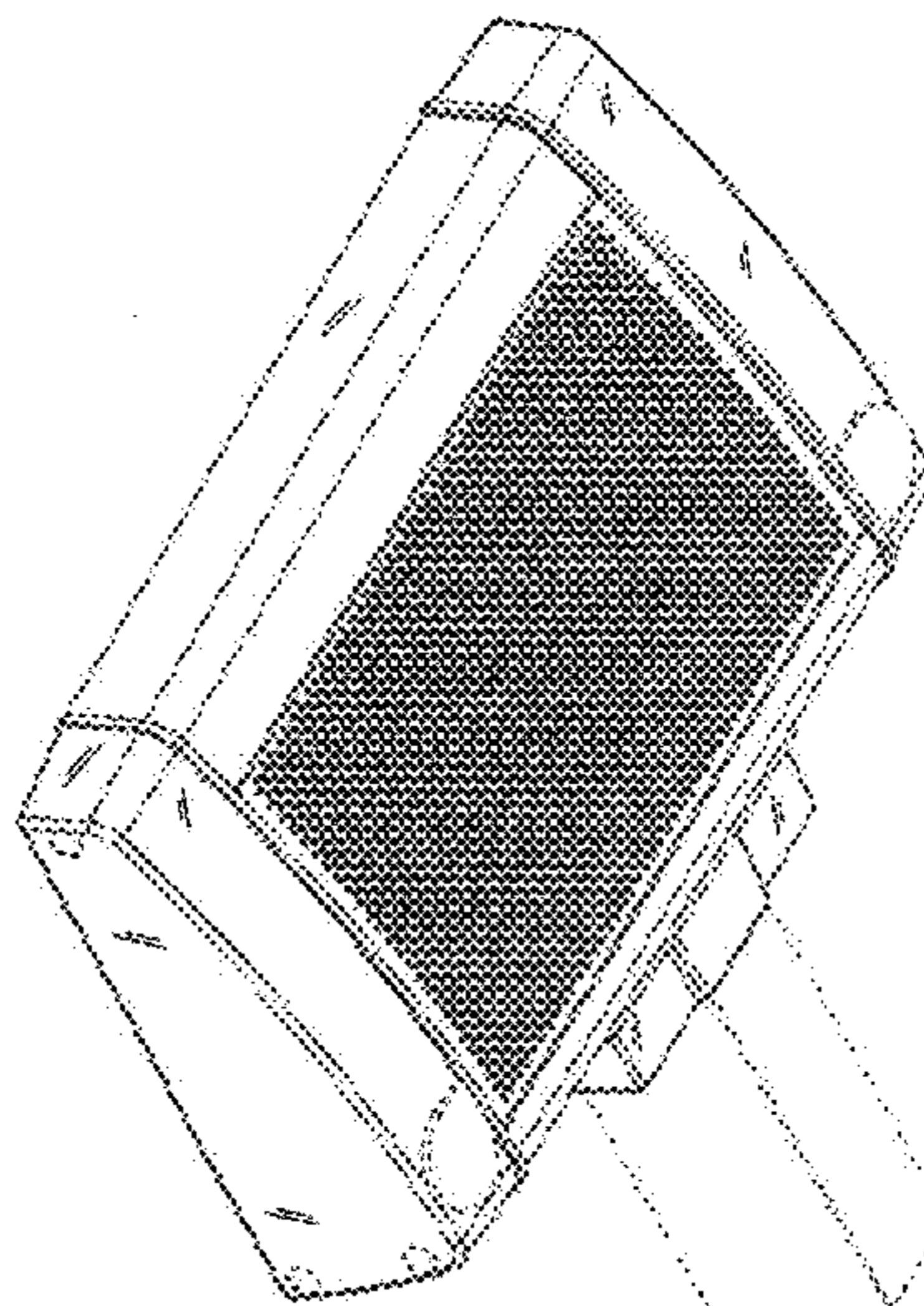
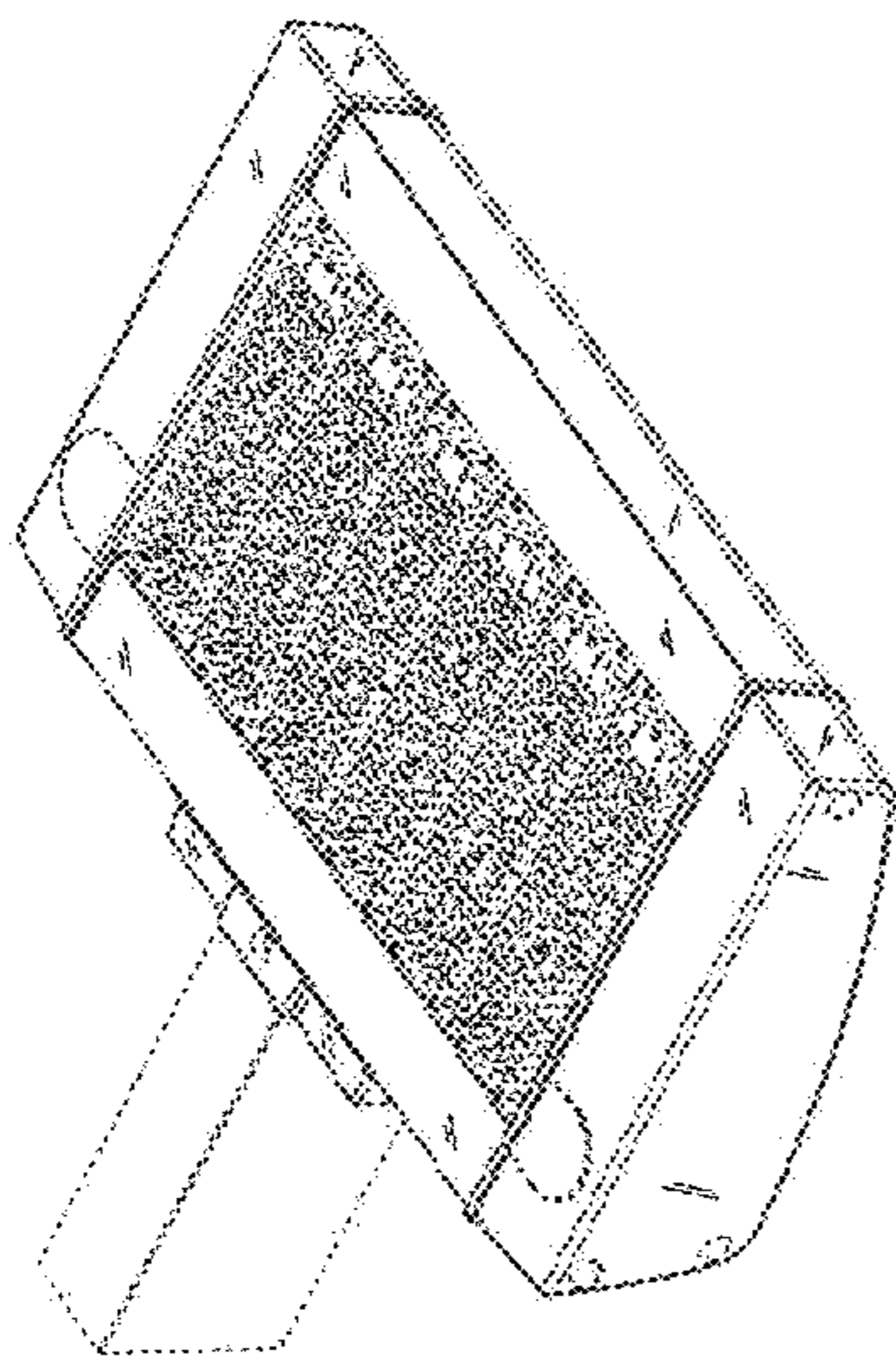
The ornamental design for an LED housing, as shown and described.

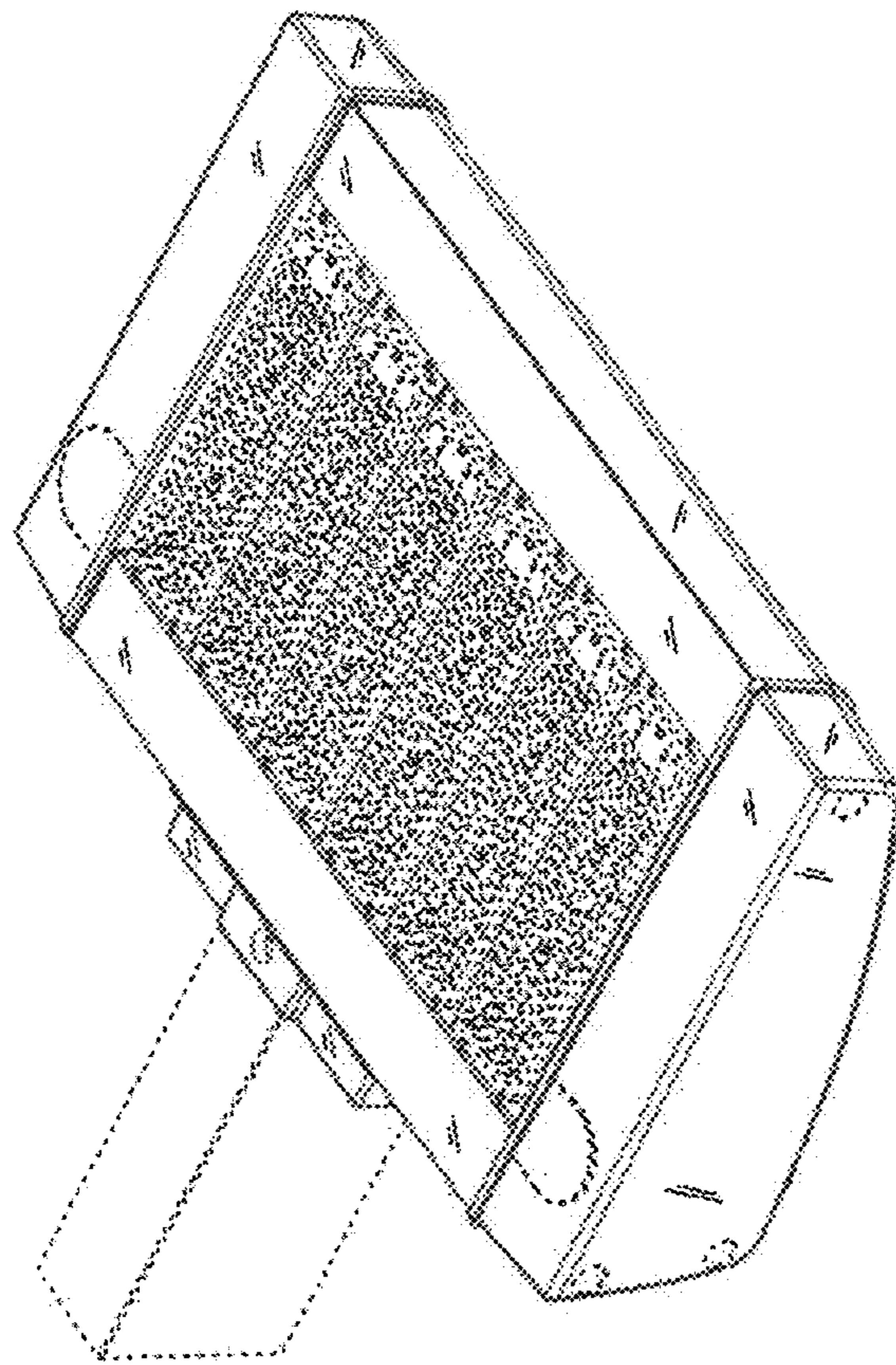
**DESCRIPTION**

FIG. 1 is a perspective view of a LED housing showing in new design;  
FIG. 2 is a top view of the LED housing of FIG. 1;  
FIG. 3 is a bottom view of the LED housing of FIG. 1;  
FIG. 4 is a right side view of the LED housing of FIG. 1;  
FIG. 5 is a left side view of the LED housing of FIG. 1;  
FIG. 6 is a rear view of the LED housing of FIG. 1;  
FIG. 7 is a front view of the LED housing of FIG. 1; and,  
FIG. 8 is another perspective view of the LED housing of FIG. 1.

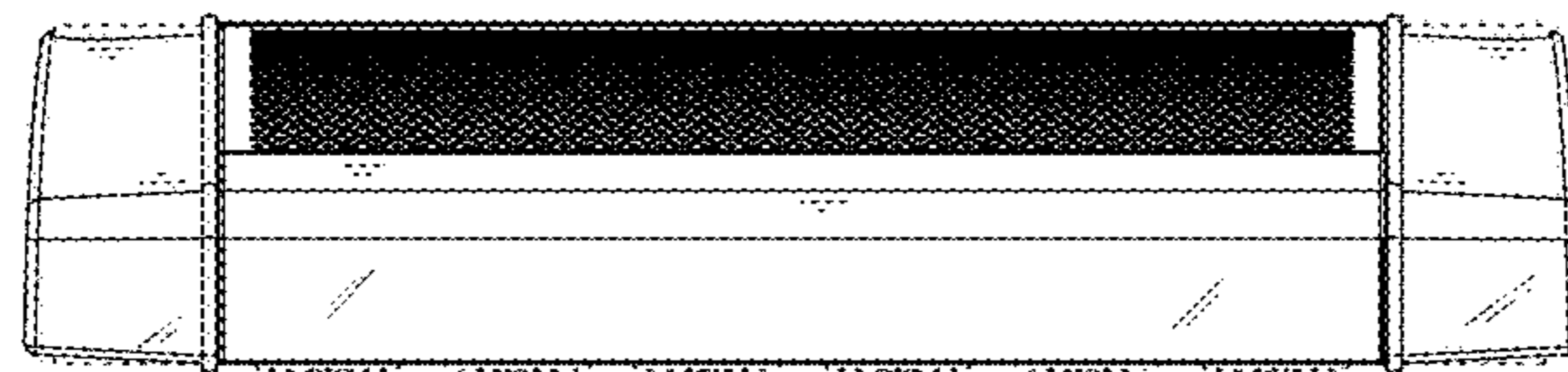
The broken lines shown in the drawings illustrate portions of the LED housing that form no part of the claimed design.

**1 Claim, 5 Drawing Sheets**

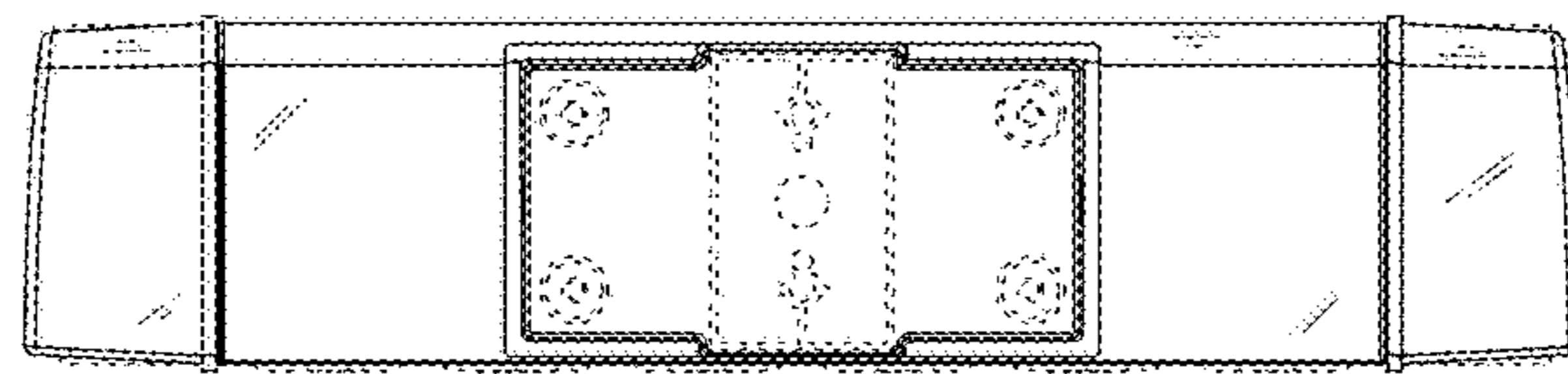




**FIG. 1**



**FIG. 2**



**FIG. 3**

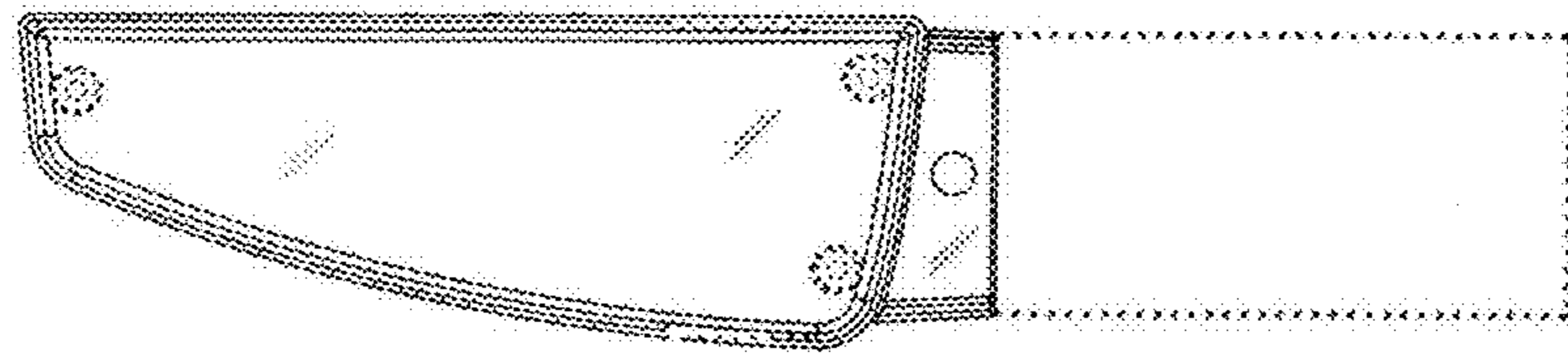


FIG. 5

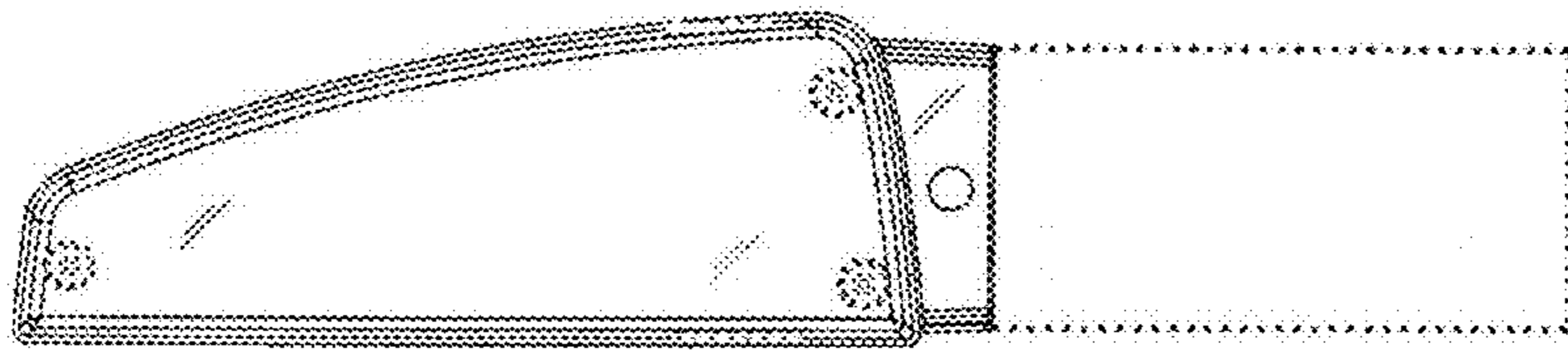


FIG. 4

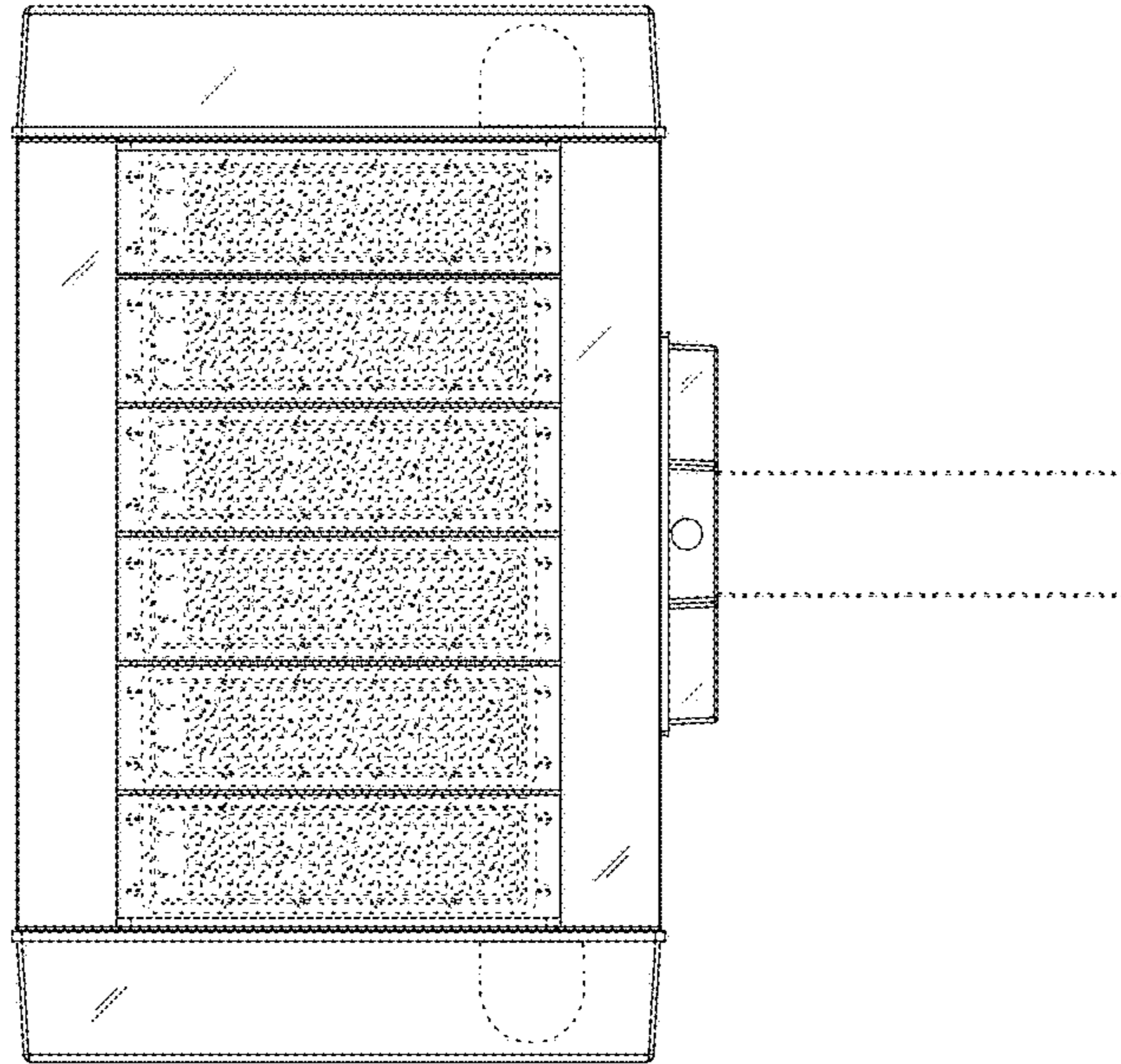


FIG. 6

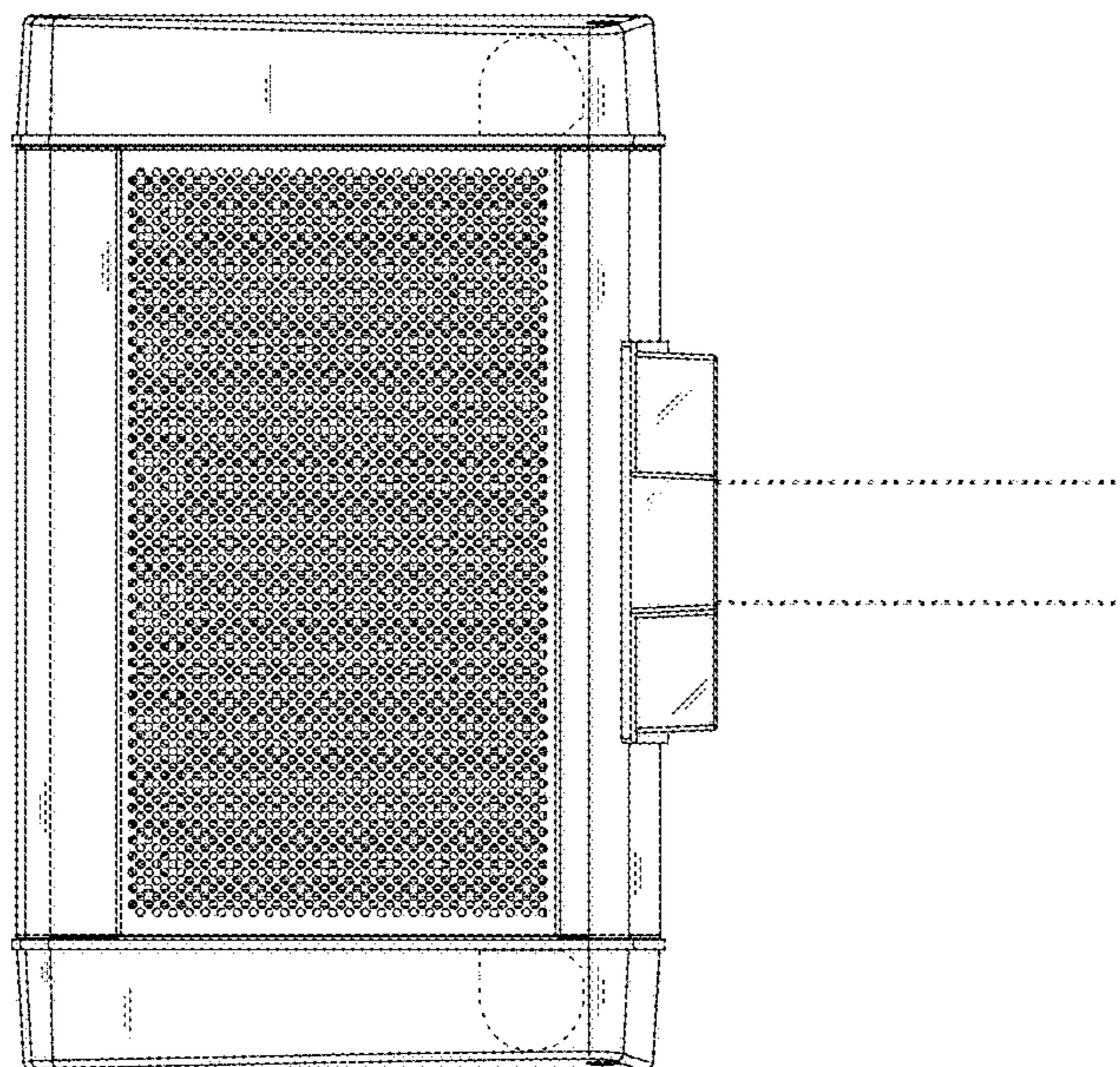
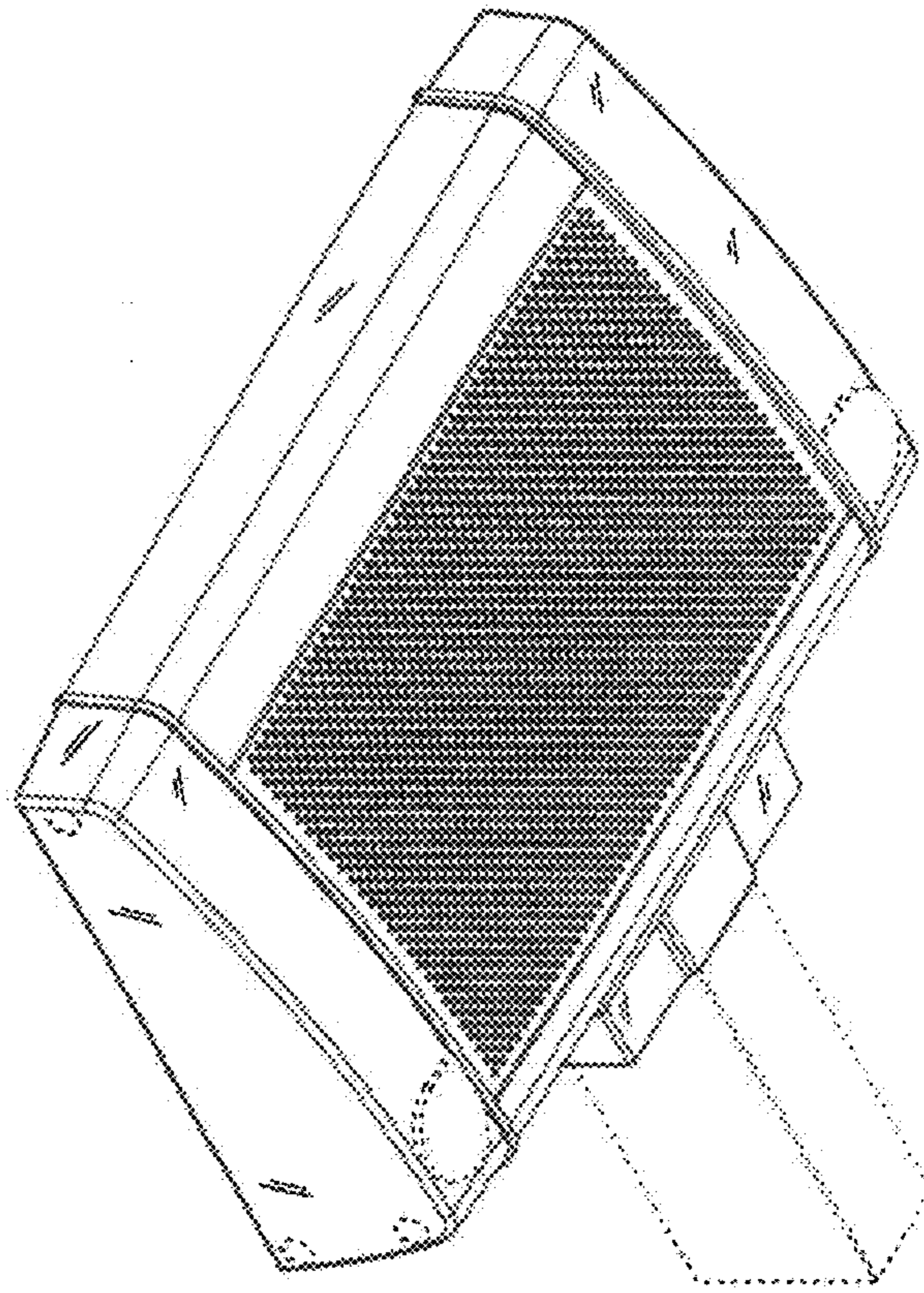


FIG. 7



**FIG. 8**

UNITED STATES PATENT AND TRADEMARK OFFICE  
**CERTIFICATE OF CORRECTION**

PATENT NO. : D844,879 S  
APPLICATION NO. : 29/601648  
DATED : April 2, 2019  
INVENTOR(S) : Chung Han Yu

Page 1 of 1

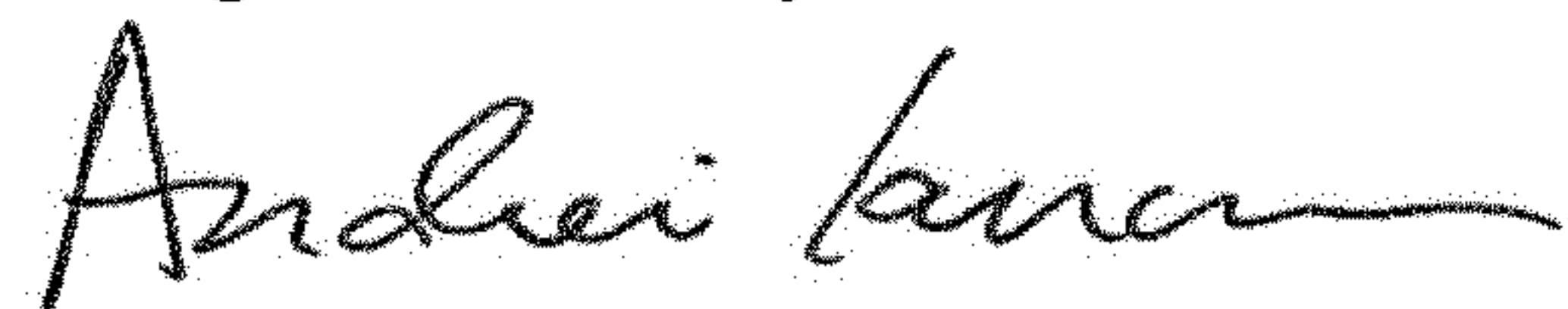
It is certified that error appears in the above-identified patent and that said Letters Patent is hereby corrected as shown below:

On the Title Page

Description:

FIG. 1 change "in" to --my--

Signed and Sealed this  
Eighteenth Day of June, 2019



Andrei Iancu  
*Director of the United States Patent and Trademark Office*