



US00D844877S

(12) **United States Design Patent**
Ladewig

(10) **Patent No.:** **US D844,877 S**

(45) **Date of Patent:** **** Apr. 2, 2019**

(54) **POST TOP MOUNTED LUMINAIRE**

(71) Applicant: **Cooper Technologies Company,**
Houston, TX (US)

(72) Inventor: **Christopher Ladewig,** Fayetteville, GA
(US)

(73) Assignee: **Eaton Intelligent Power Limited,**
Dublin (IE)

(**) Term: **15 Years**

(21) Appl. No.: **29/603,040**

(22) Filed: **May 5, 2017**

(51) **LOC (11) Cl.** **26-05**

(52) **U.S. Cl.**
USPC **D26/68**

(58) **Field of Classification Search**
USPC D26/63, 67-71, 118
CPC .. F21S 8/032; F21S 8/081; F21S 8/083; F21S
8/085; F21S 8/086; F21S 8/088; F21S
9/032; F21S 9/035; F21S 9/037; F21V
21/0824; F21W 2111/02; F21W 2111/023;
F21W 2131/103; F21W 2131/109
See application file for complete search history.

(56) **References Cited**

U.S. PATENT DOCUMENTS

D236,909 S	9/1975	Richilano	
D468,478 S	1/2003	Landefeld et al.	
D470,965 S	2/2003	Landefeld	
D482,481 S	11/2003	Landefeld	
D496,120 S	9/2004	Cooper	
D499,503 S	12/2004	Hon et al.	
D541,967 S *	5/2007	Rahir	D26/2
D573,743 S	7/2008	Yan	
D577,847 S	9/2008	Ruud	
D580,580 S *	11/2008	Lodhie	D26/67

(Continued)

OTHER PUBLICATIONS

Top Tier® Site LED Luminaire from Copper Industries. Retrieved from the internet Feb. 26, 2018, retrieved from URL: http://www.cooperindustries.com/content/public/en/lighting/products/area_siteLighting/_892814.ssd.html (Year: 2018).*

(Continued)

Primary Examiner — Clare E Heflin

(74) *Attorney, Agent, or Firm* — King & Spalding LLP

(57) **CLAIM**

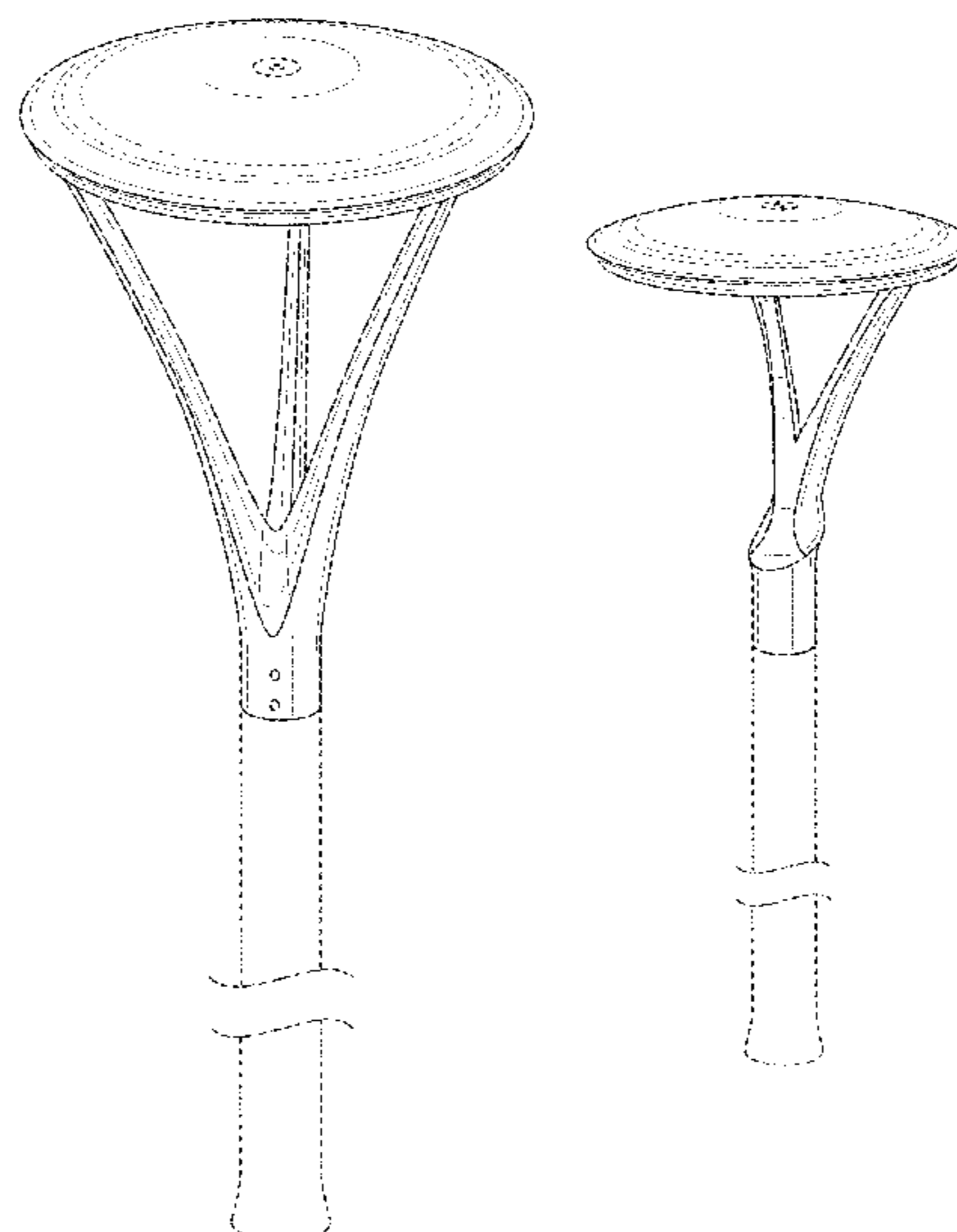
The ornamental design for a post top mounted luminaire, as shown and described.

DESCRIPTION

FIG. 1 is a top perspective view of a post top mounted luminaire, showing my new design; FIG. 2 is a bottom perspective view thereof; FIG. 3 is a left side elevation view thereof; FIG. 4 is a front side elevation view thereof; FIG. 5 is a right side elevation view thereof; FIG. 6 is a back side elevation view thereof; FIG. 7 is a top plan view thereof; and FIG. 8 is a bottom plan view thereof. FIG. 9 is a top perspective view of another embodiment of a post top mounted luminaire, showing my new design; FIG. 10 is a bottom perspective view thereof; FIG. 11 is a front side elevation view thereof; FIG. 12 is a right side elevation view thereof; FIG. 13 is a rear side elevation view thereof; FIG. 14 is a left side elevation view thereof; FIG. 15 is a top plan view thereof; and, FIG. 16 is a bottom plan view thereof.

The broken lines shown represent portions of the post top mounted luminaire that form no part of the claimed design. The area between the dash-dot-dash lines represents unclaimed subject matter that forms no part of the claimed design.

1 Claim, 14 Drawing Sheets



(56)

References Cited

U.S. PATENT DOCUMENTS

D592,342 S * 5/2009 Kinnune D26/67
 D592,343 S 5/2009 Wilcox et al.
 D592,344 S * 5/2009 Wilcox D26/67
 D599,935 S 9/2009 van Klinken
 D615,682 S * 5/2010 van Klinken D26/67
 D626,686 S 11/2010 Daidone
 D652,976 S * 1/2012 Soto D26/68
 D665,526 S 8/2012 Kong
 8,235,550 B2 8/2012 Kong
 D670,018 S 10/2012 Sauvage
 D672,076 S * 12/2012 Guercio D26/70
 D678,576 S 3/2013 Chen
 D713,082 S 9/2014 Hermansen et al.
 D716,989 S 11/2014 Sooferian
 D740,990 S * 10/2015 Tortel D26/67
 D741,548 S 10/2015 Ladewig
 D748,315 S 1/2016 Ladewig
 D752,268 S * 3/2016 Paz D26/68
 D755,431 S * 5/2016 Chen D26/67
 9,341,346 B1 5/2016 Wright
 2004/0095773 A1 5/2004 Gaskins
 2009/0086491 A1 4/2009 Ruud

2009/0109676 A1* 4/2009 Lodhie F21K 9/00
 362/249.06
 2013/0148361 A1* 6/2013 Chen F21S 8/088
 362/296.05
 2014/0355259 A1 12/2014 Ku

OTHER PUBLICATIONS

Cooper Lighting; Invue; MSA Mesa LED, Product specification; Feb. 26, 2013.
 Flex Architectural Area Light (available online) Retrieved from the internet Feb. 26, 2018, retrieved from URL <https://www.hubbell.com/architecturalarealighting/en/products/lighting-controls-outdoor-lighting/decorative-post-top/flex/p/220804>.
 IP66 Round Cob LED Garden Light (available online) Retrieved from the internet Feb. 26, 2018, retrieved from URL: https://www.deepoptoelectronic.com/ip66-round-cob-led-garden-light_p29.html.
 ToTier Site Luminaire (available online) Retrieved from the internet Feb. 26, 2018. Retrieved from URL: https://www.cooperindustries.com/com/content/public/en/lighting/products/area_site_lighting/_892814.ssd.html.

* cited by examiner

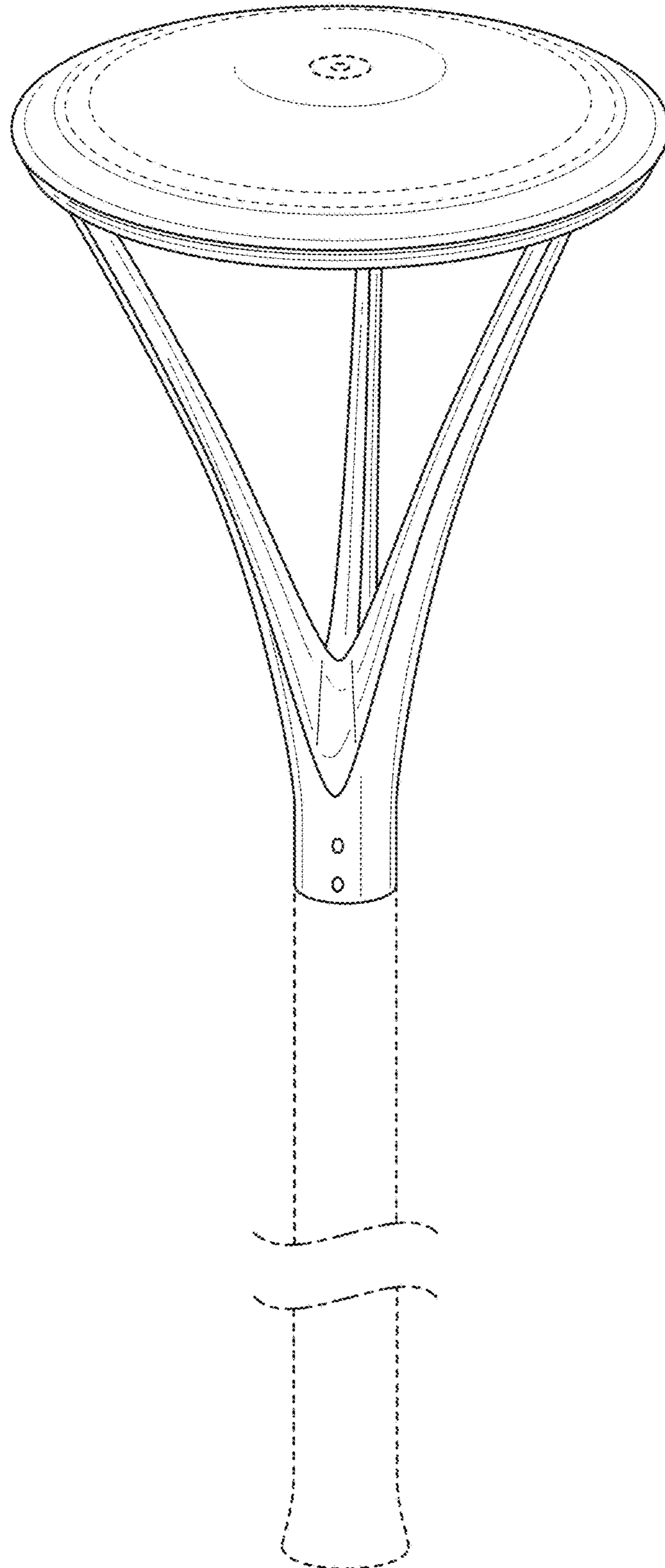


FIG. 1

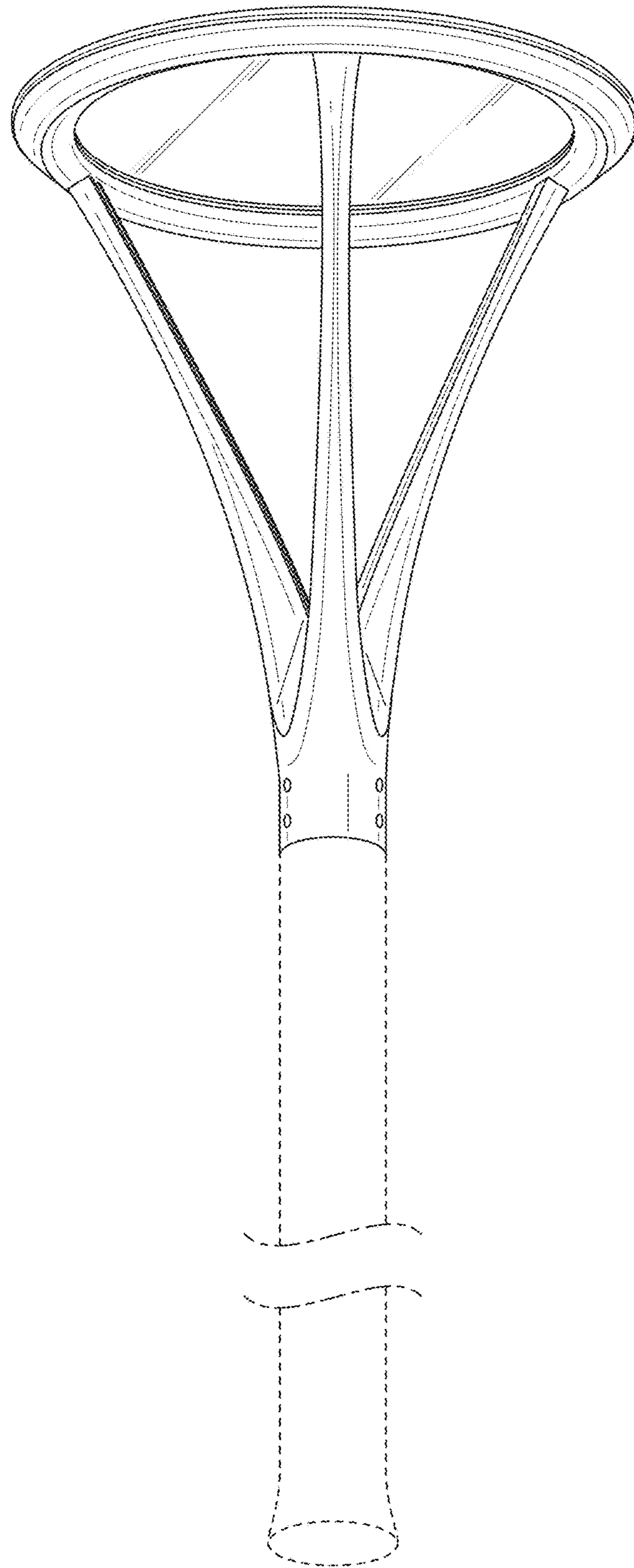


FIG. 2

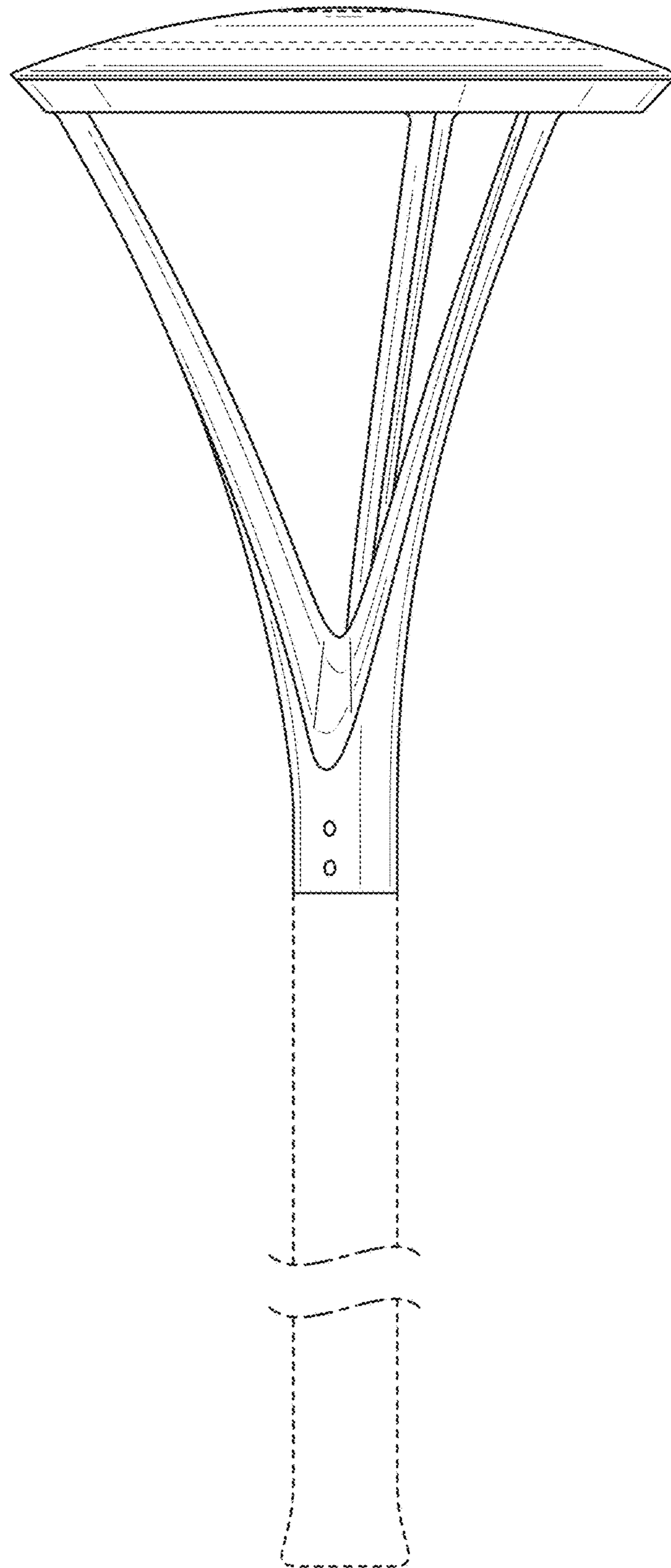


FIG. 3

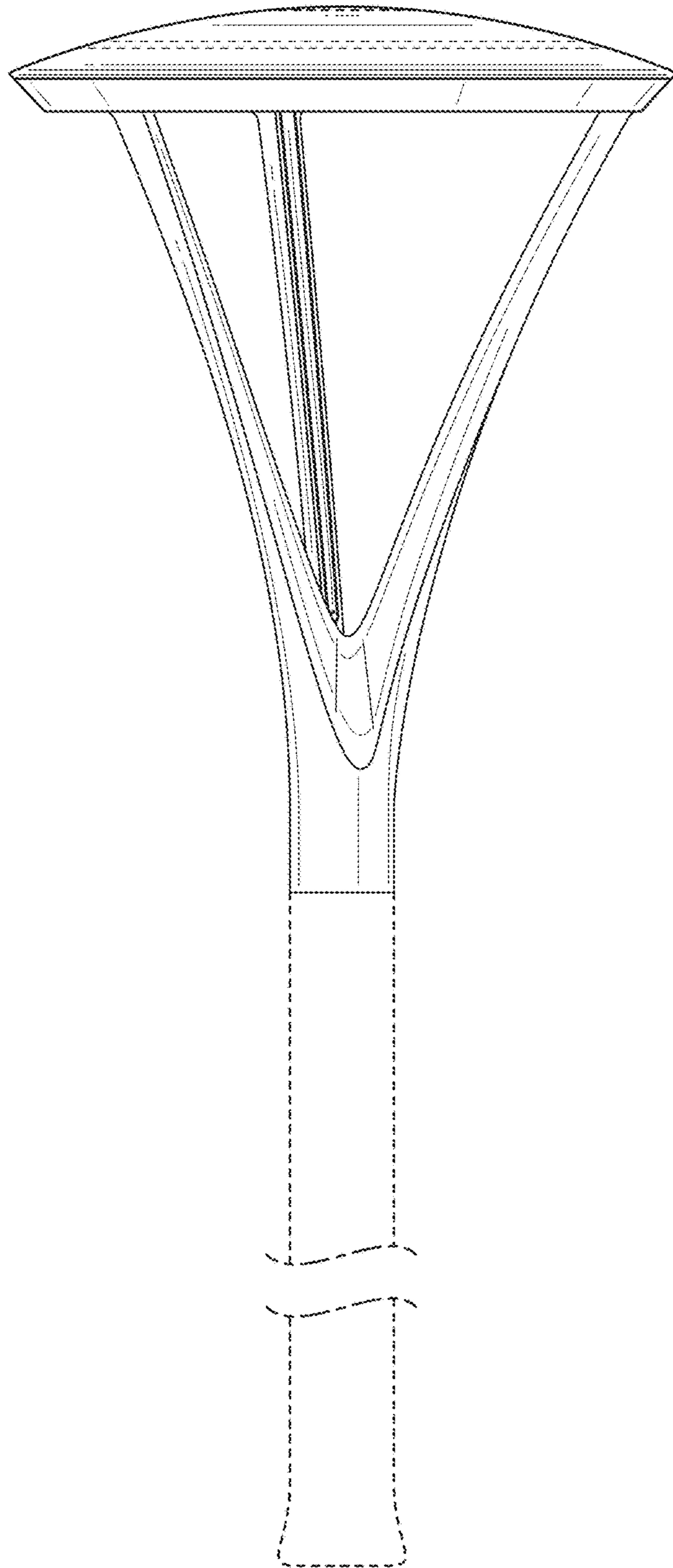


FIG. 4

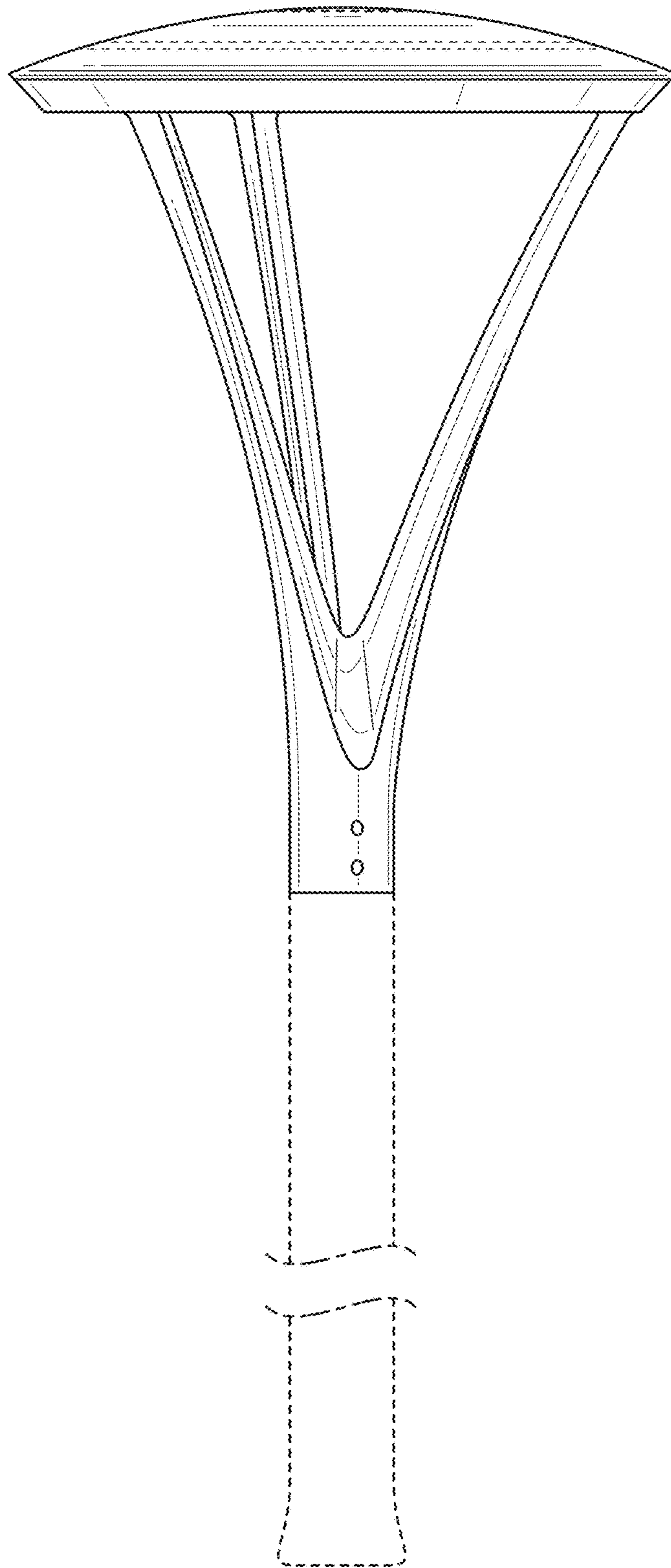


FIG. 5

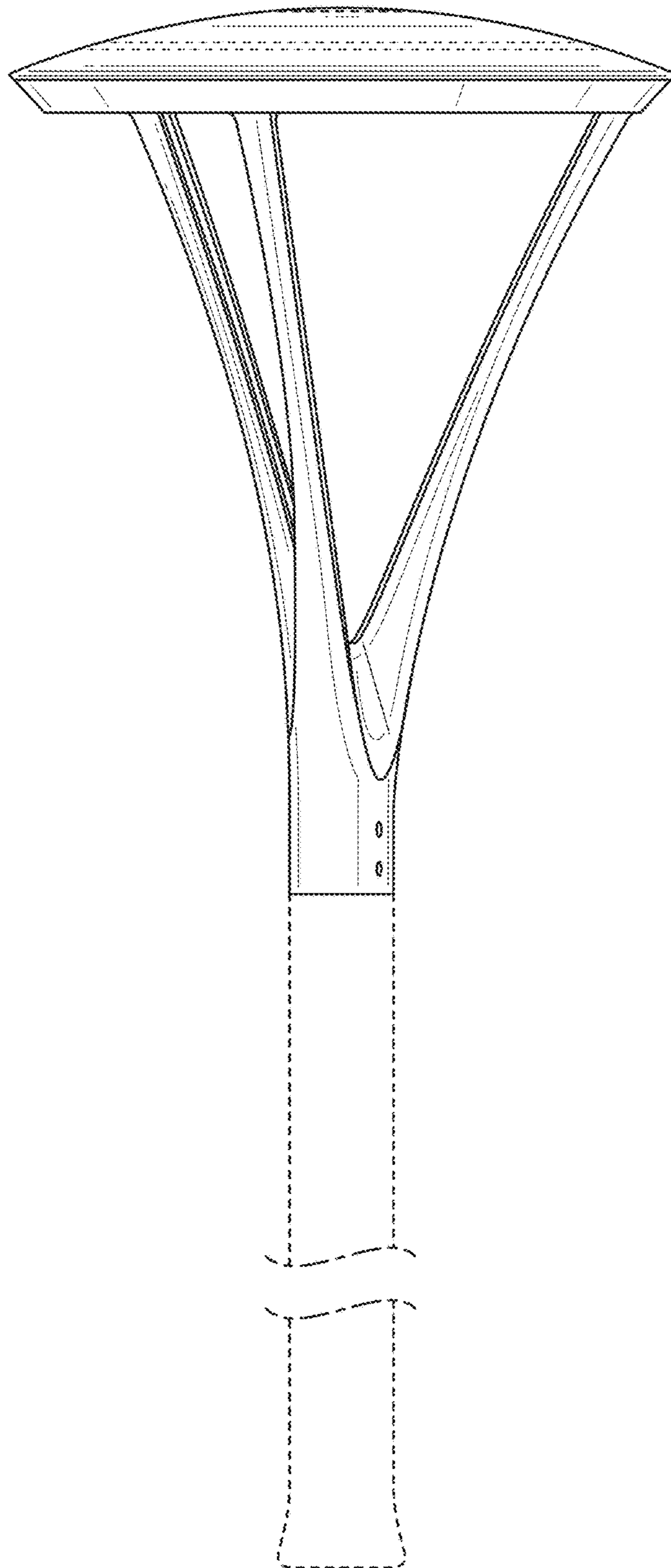


FIG. 6

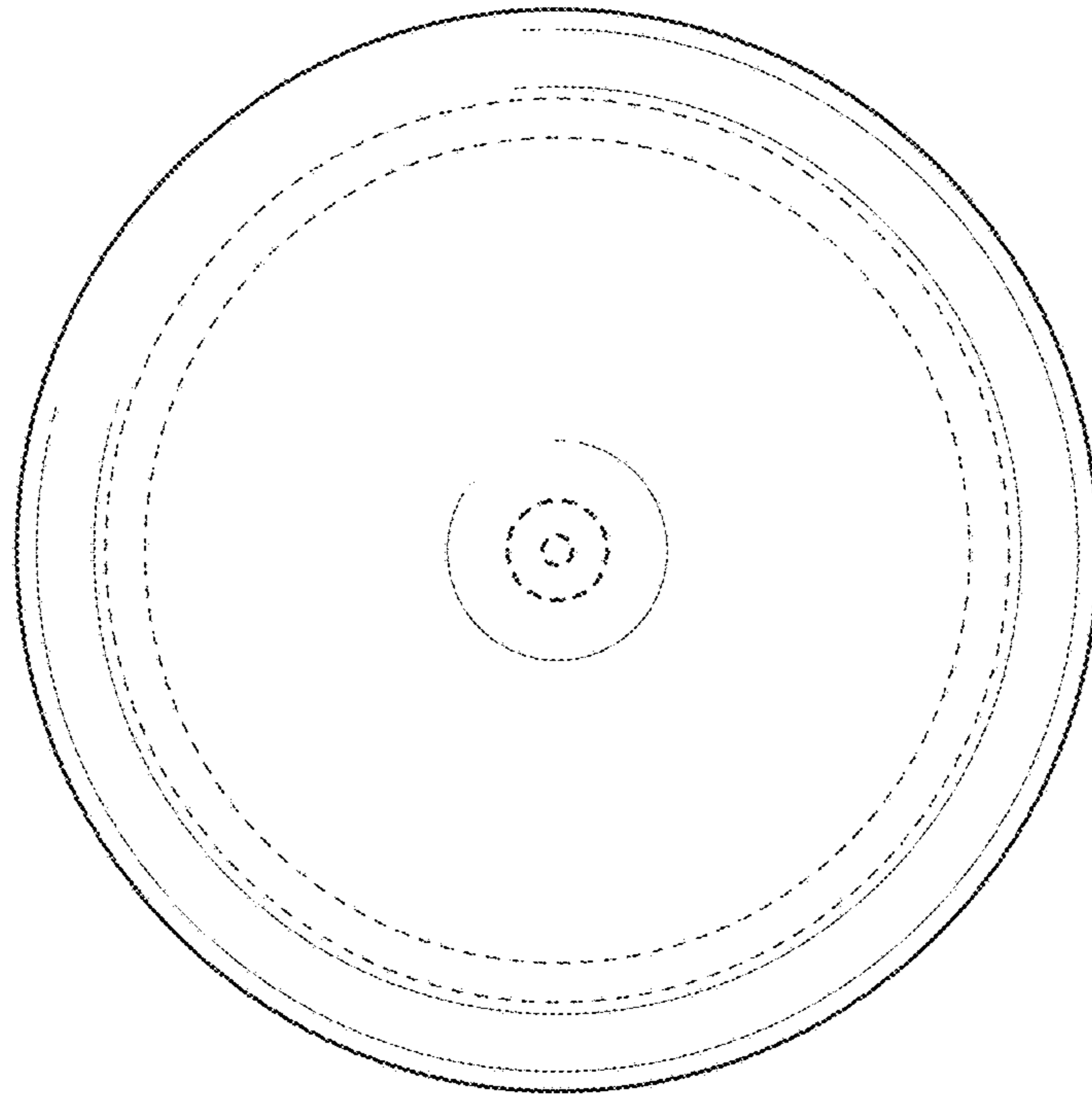


FIG. 7

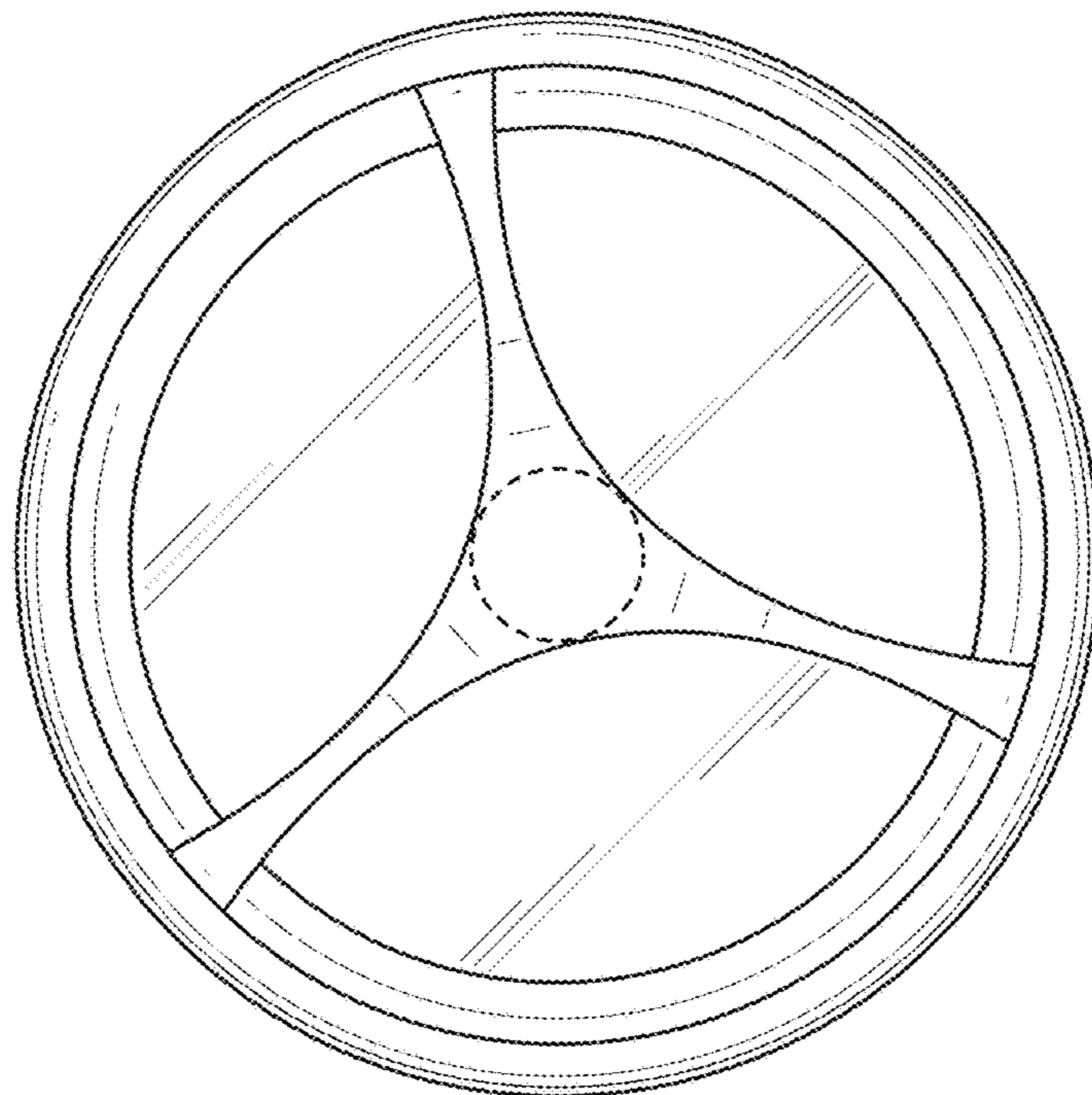


FIG. 8

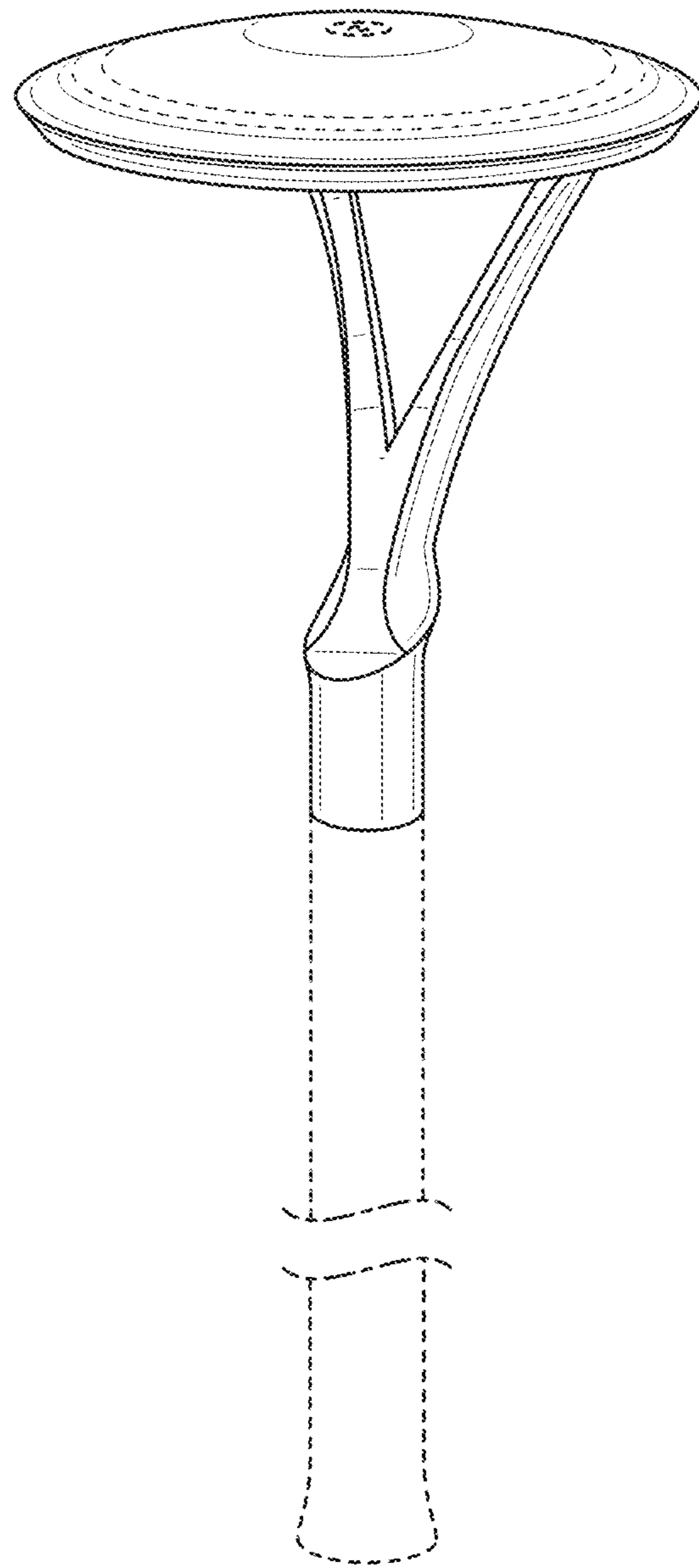


FIG. 9

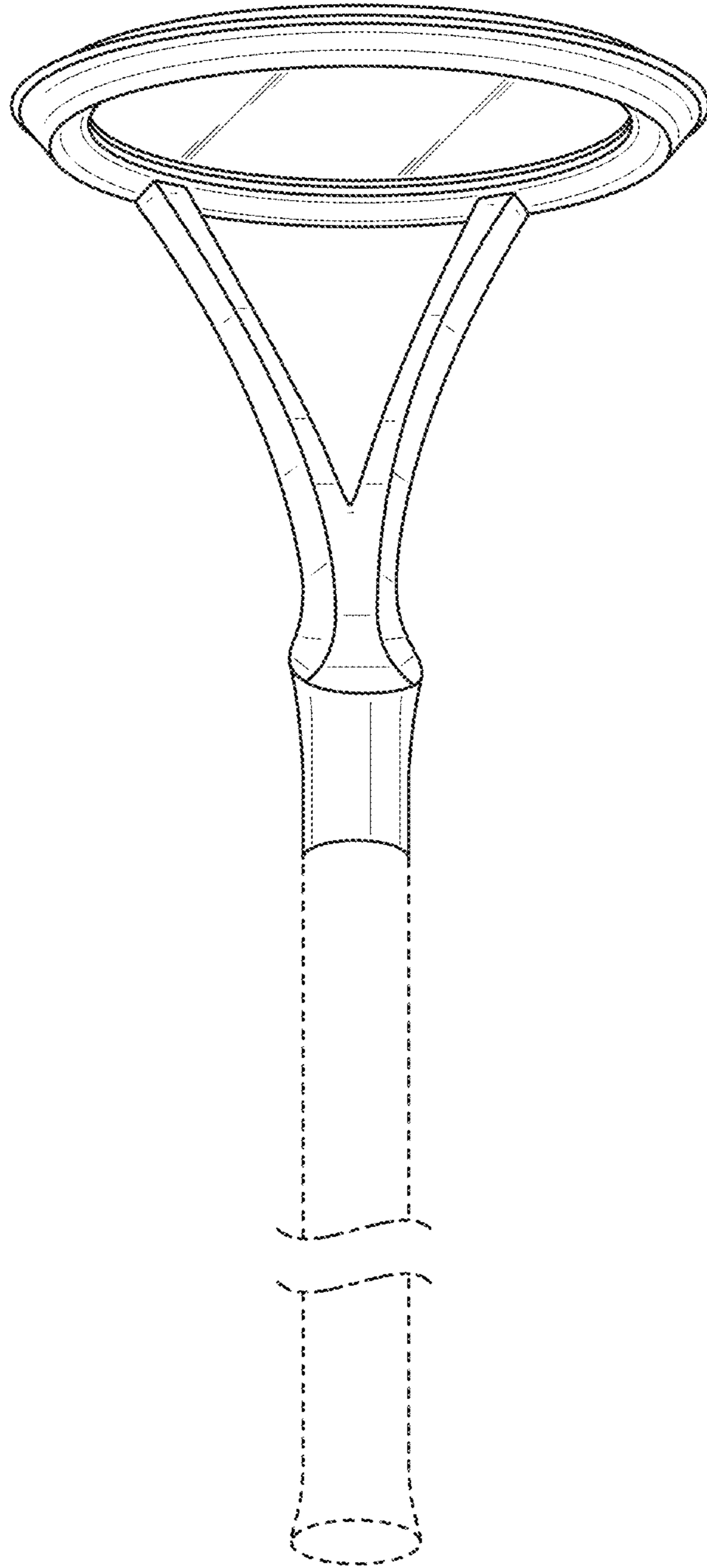


FIG. 10

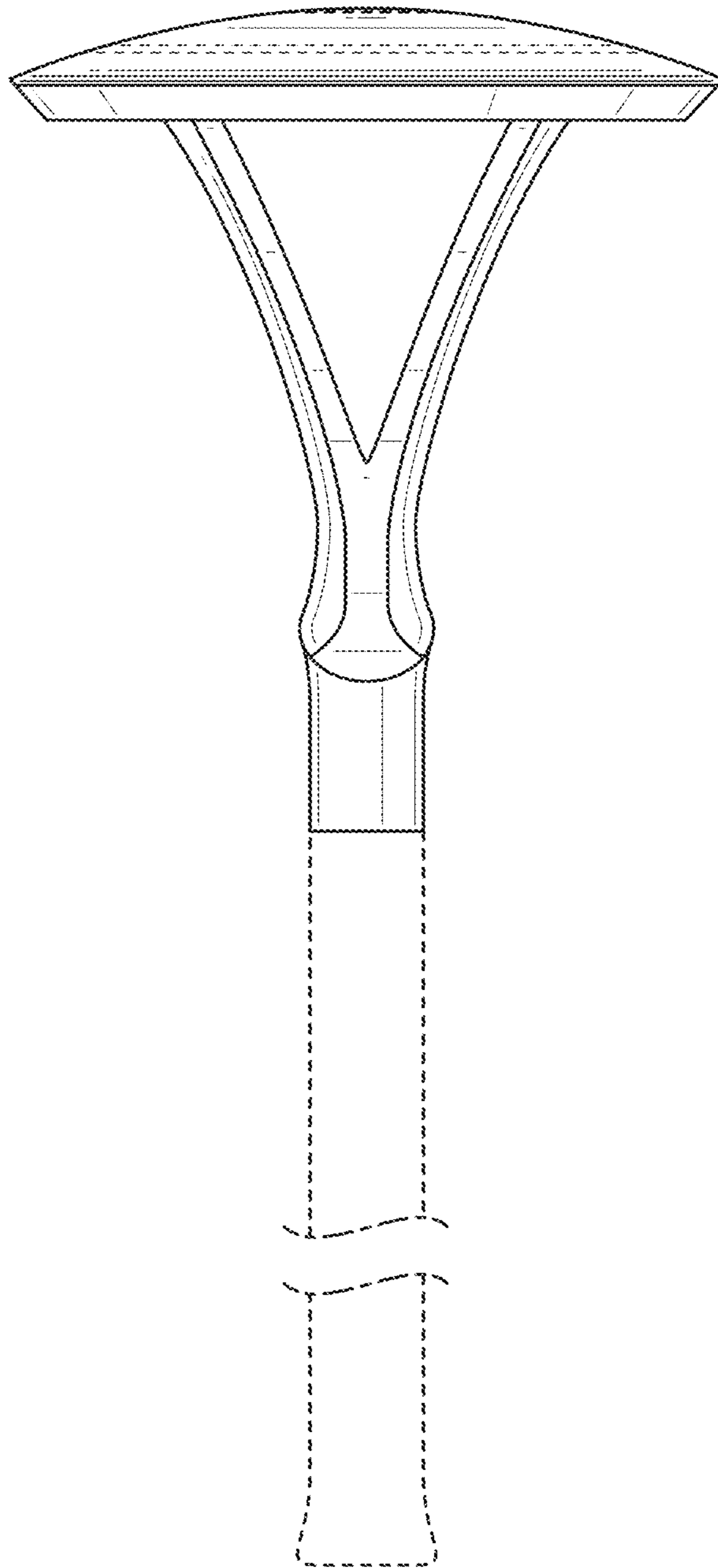


FIG. 11

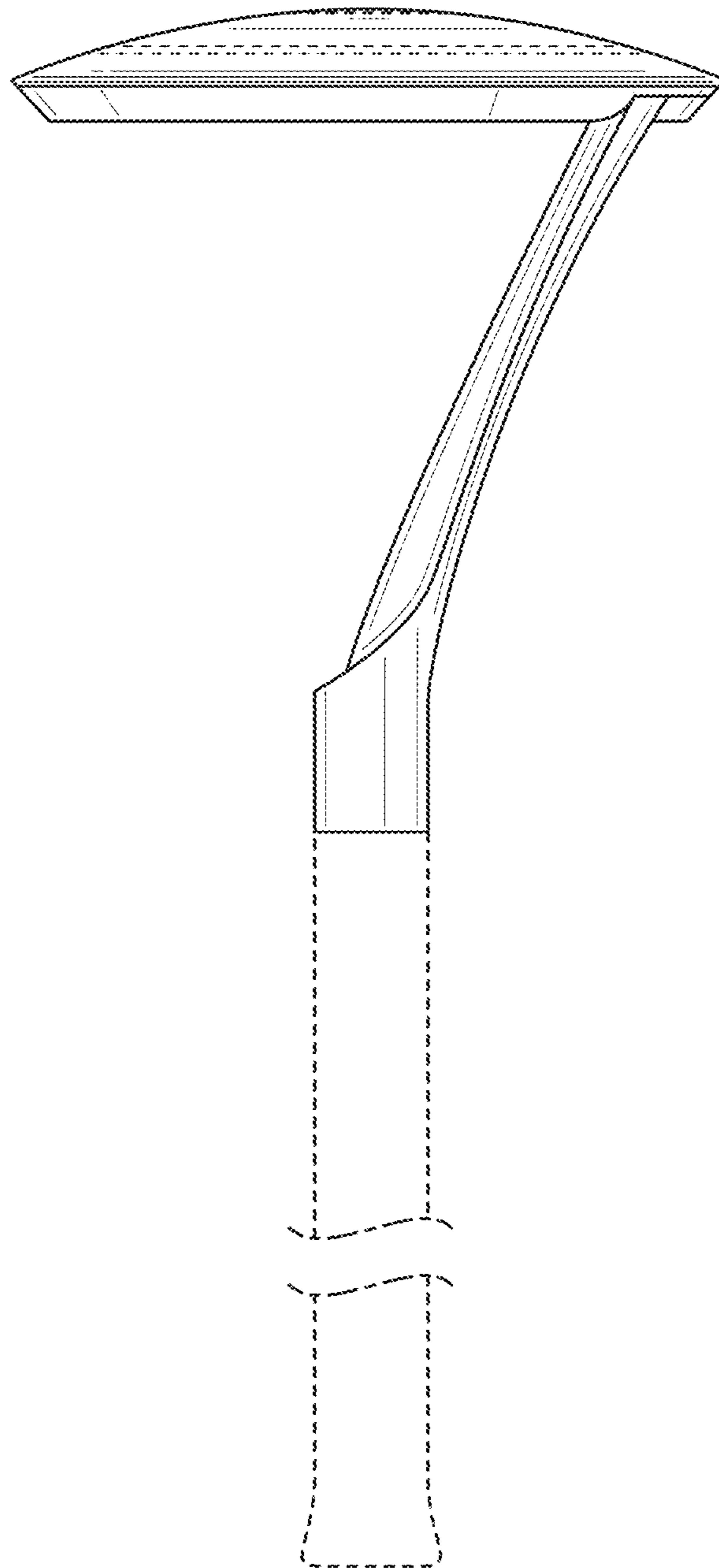


FIG. 12

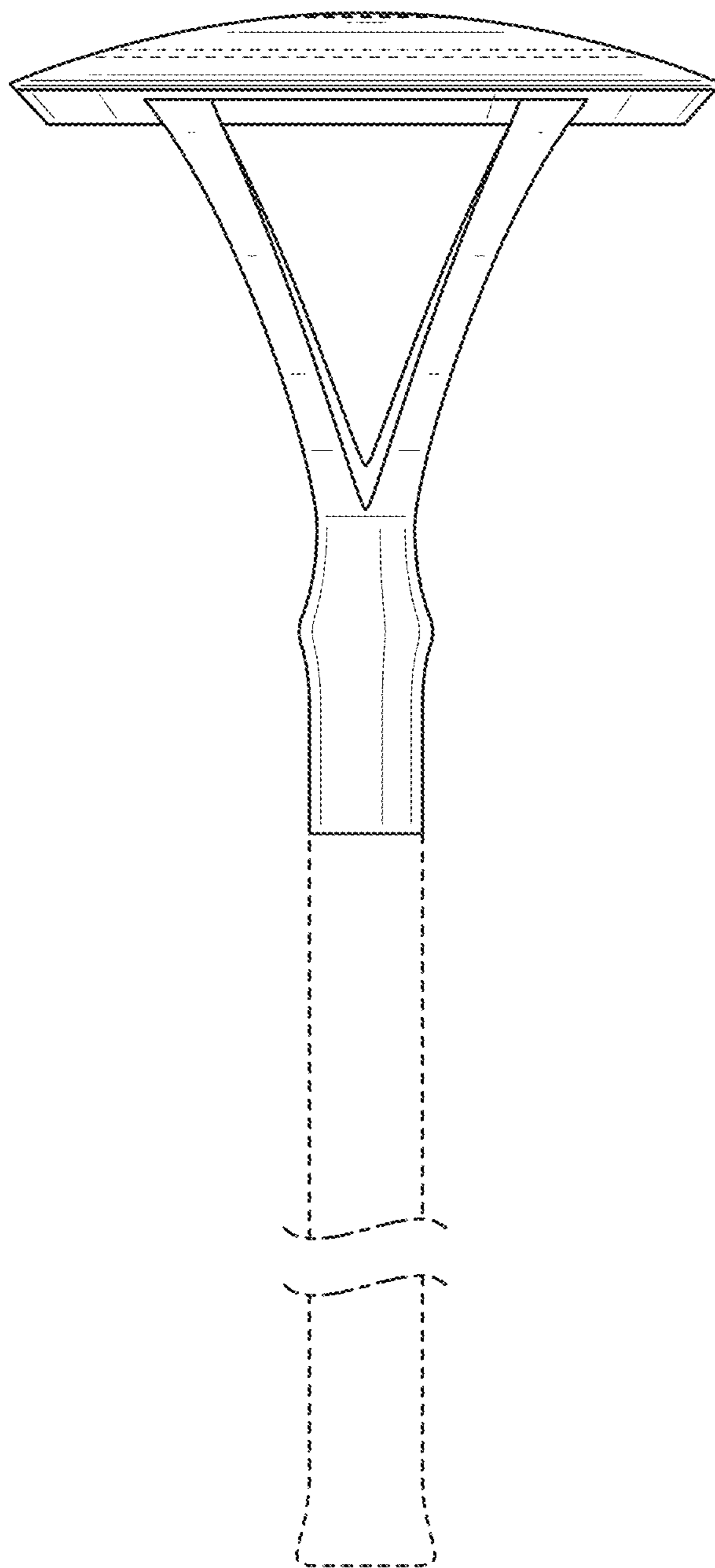


FIG. 13

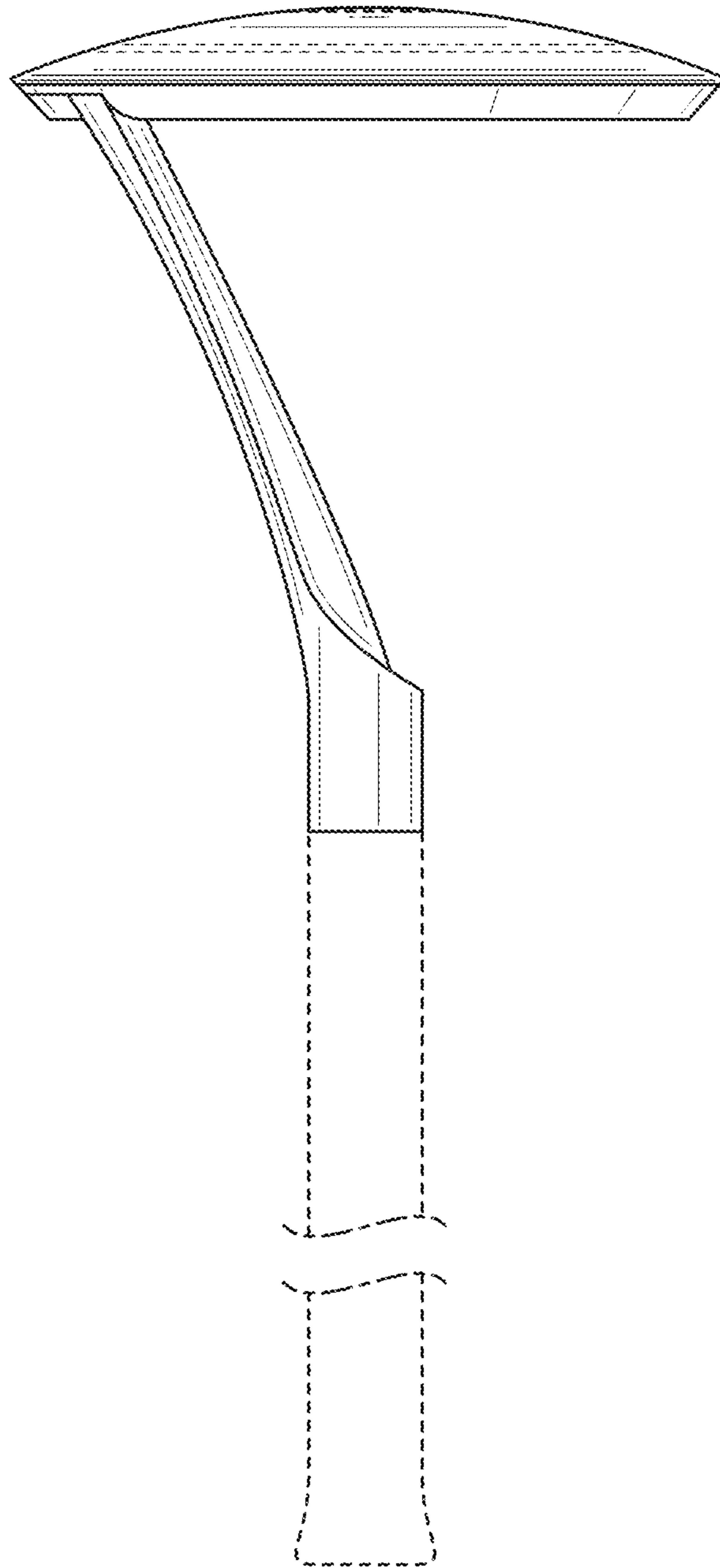


FIG. 14

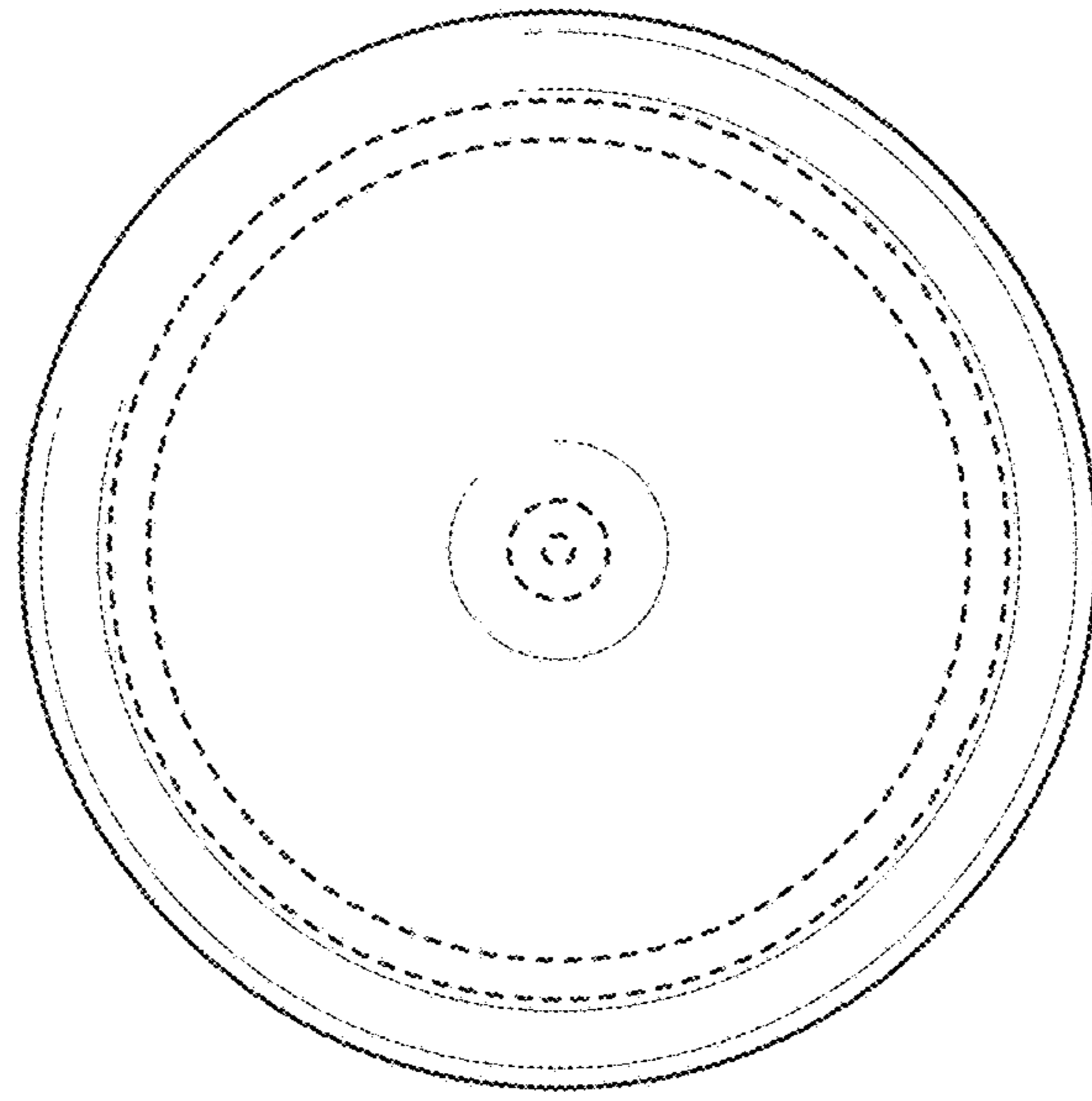


FIG. 15

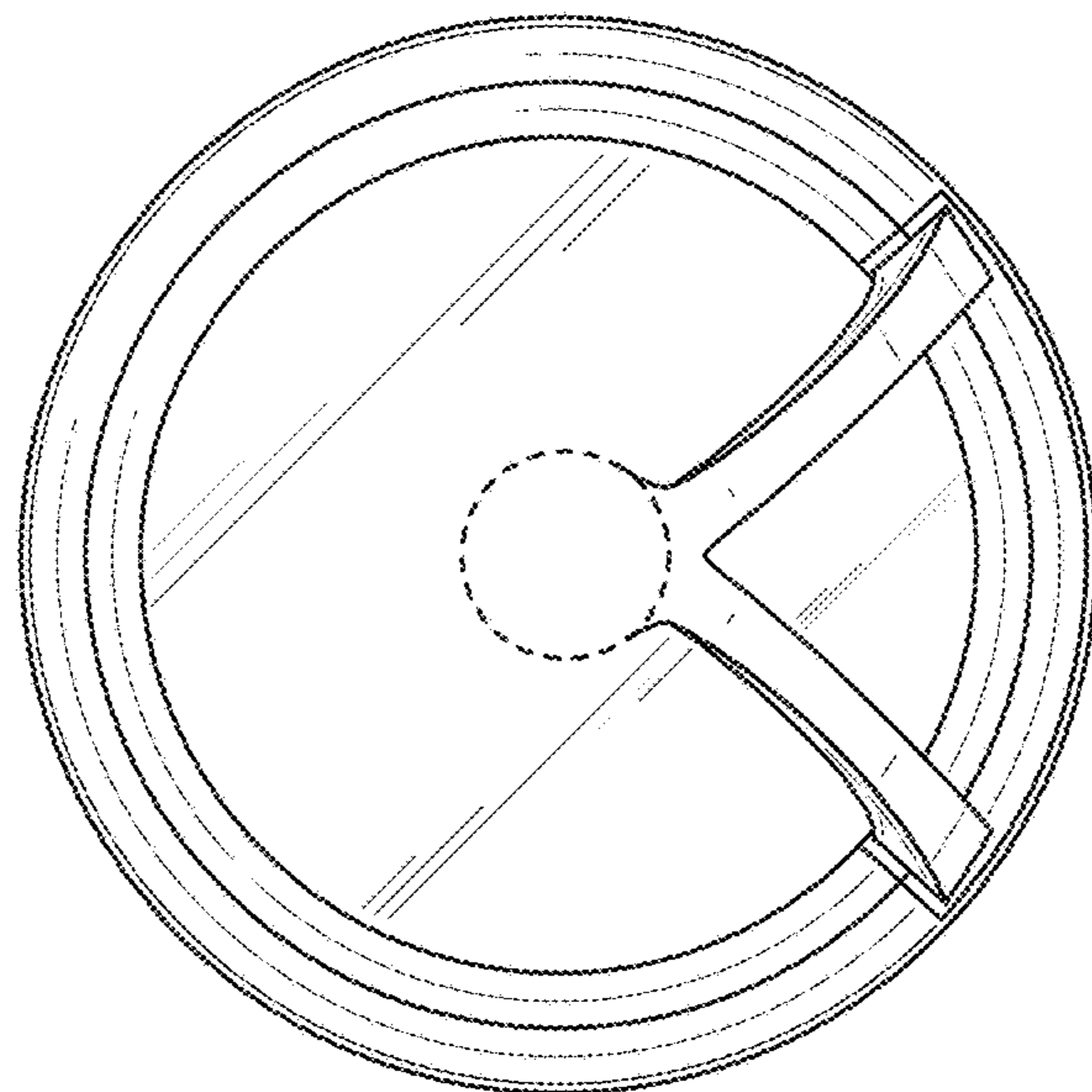


FIG. 16