



US00D844876S

(12) **United States Design Patent**  
**Eberts et al.**

(10) **Patent No.:** **US D844,876 S**  
(45) **Date of Patent:** **\*\* Apr. 2, 2019**

(54) **LIGHTING FIXTURE**

- (71) Applicant: **Hunter Industries, Inc.**, San Marcos, CA (US)
- (72) Inventors: **Carl A. Eberts**, Solana Beach, CA (US); **Darrin I. Schmuckle**, Vista, CA (US); **Stephen A. Sharp**, San Diego, CA (US)
- (73) Assignee: **Hunter Industries, Inc.**, San Marcos, CA (US)
- (\*\*) Term: **15 Years**
- (21) Appl. No.: **29/602,813**
- (22) Filed: **May 3, 2017**
- (51) **LOC (11) Cl.** ..... **26-05**
- (52) **U.S. Cl.**  
USPC ..... **D26/68**
- (58) **Field of Classification Search**  
USPC ..... D26/63, 67-71, 118  
(Continued)

(56) **References Cited**

U.S. PATENT DOCUMENTS

- D209,416 S \* 11/1967 Smith ..... D26/68
  - D381,449 S \* 7/1997 Metcheer, III ..... D26/68
- (Continued)

*Primary Examiner* — Clare E Heflin

(74) *Attorney, Agent, or Firm* — Knobbe Martens Olson & Bear, LLP

(57) **CLAIM**

The ornamental design for a lighting fixture, as shown and described.

**DESCRIPTION**

FIG. 1 illustrates a top, front and right side perspective view of a lighting fixture showing a first embodiment of the new design;

FIG. 2 illustrates a bottom, back, and right side perspective view of the lighting fixture of FIG. 1.

FIG. 3 illustrates a front view of the lighting fixture of FIG. 1.

FIG. 4 illustrates a back view of the lighting fixture of FIG. 1.

FIG. 5 illustrates a right side view of the lighting fixture of FIG. 1.

FIG. 6 illustrates a left side view of the lighting fixture of FIG. 1.

FIG. 7 illustrates a top view of the lighting fixture of FIG. 1.

FIG. 8 illustrates a bottom view of the lighting fixture of FIG. 1.

FIG. 9 illustrates a top, front and right side perspective view of a lighting fixture showing a second embodiment of the new design;

FIG. 10 illustrates a bottom, back, and right side perspective view of the lighting fixture of FIG. 9.

FIG. 11 illustrates a front view of the lighting fixture of FIG. 9.

FIG. 12 illustrates a back view of the lighting fixture of FIG. 9.

FIG. 13 illustrates a right side view of the lighting fixture of FIG. 9.

FIG. 14 illustrates a left side view of the lighting fixture of FIG. 9.

FIG. 15 illustrates a top view of the lighting fixture of FIG. 9.

FIG. 16 illustrates a bottom view of the lighting fixture of FIG. 9.

FIG. 17 illustrates a top, front and right side perspective view of a lighting fixture showing a third embodiment of the new design;

FIG. 18 illustrates a bottom, back, and right side perspective view of the lighting fixture of FIG. 17.

FIG. 19 illustrates a front view of the lighting fixture of FIG. 17.

FIG. 20 illustrates a back view of the lighting fixture of FIG. 17.

FIG. 21 illustrates a right side view of the lighting fixture of FIG. 17.

FIG. 22 illustrates a left side view of the lighting fixture of FIG. 17.

FIG. 23 illustrates a top view of the lighting fixture of FIG. 17; and,

(Continued)

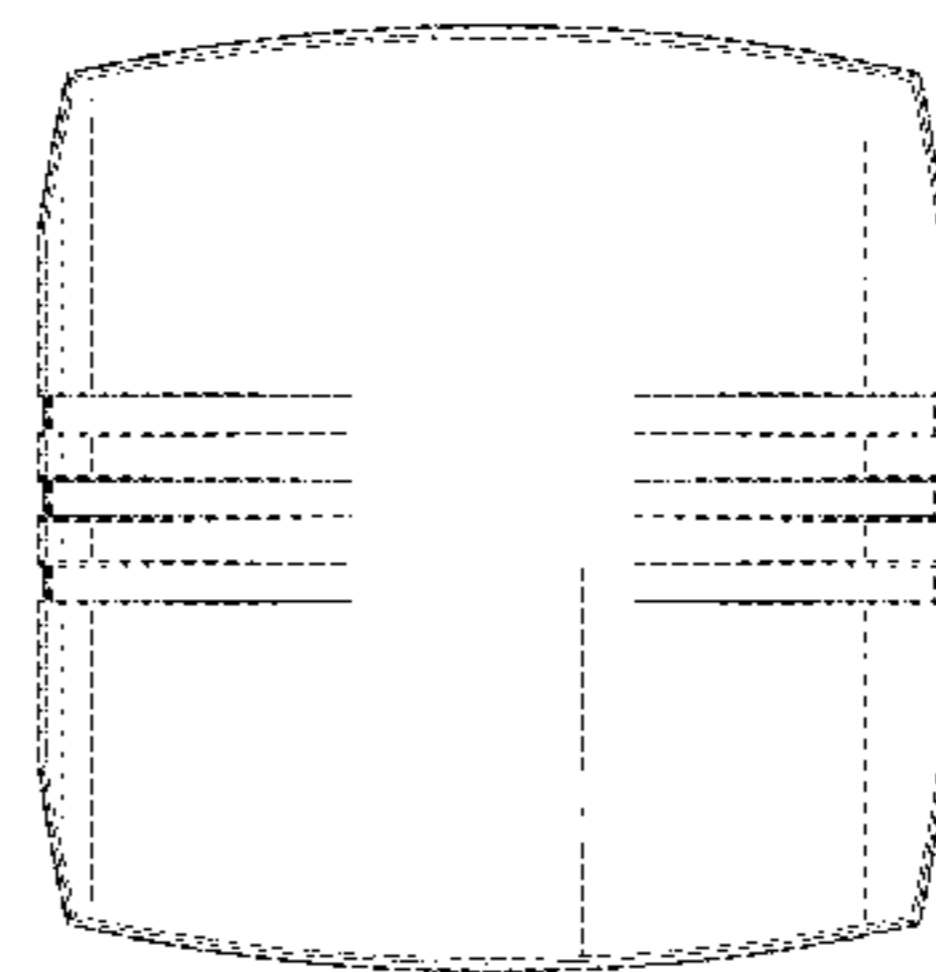
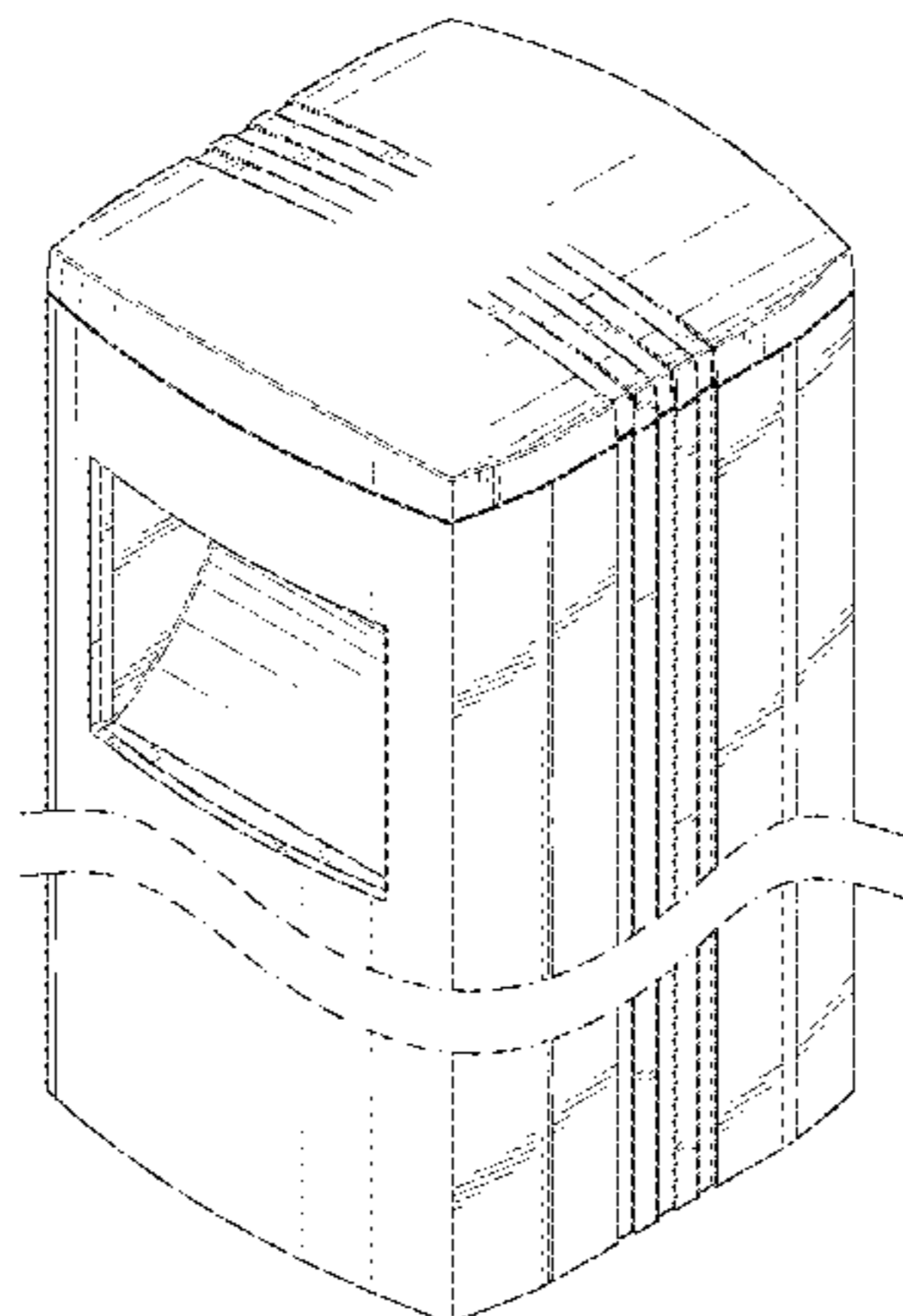


FIG. 24 illustrates a bottom view of the lighting fixture of FIG. 17.

Broken lines are used to illustrate features of the lighting fixture which form no part of the claimed design. Dot-dash lines are used to illustrate boundary lines and form no part of the claimed design.

**1 Claim, 21 Drawing Sheets**

**(58) Field of Classification Search**

CPC .. F21S 8/032; F21S 8/081; F21S 8/083; F21S 8/085; F21S 8/086; F21S 8/088; F21S 9/032; F21S 9/035; F21S 9/037; F21V 21/0824; F21W 2111/02; F21W 2111/023; F21W 2131/103; F21W 2131/109

See application file for complete search history.

**(56) References Cited**

U.S. PATENT DOCUMENTS

D388,900 S \* 1/1998 Metchear, III ..... D26/68

D393,089	S *	3/1998	Metchear, III	.....	D26/68
D442,312	S *	5/2001	Metchear, III	.....	D26/68
D446,330	S *	8/2001	Metchear, III	.....	D26/68
6,386,729	B1 *	5/2002	Bober	.....	F21S 8/032 362/153.1
6,652,113	B2 *	11/2003	Tant	.....	F21S 8/033 362/147
7,108,394	B1 *	9/2006	Swarens	.....	F21S 8/02 362/147
D670,848	S *	11/2012	Reo	.....	D26/68
D824,563	S *	7/2018	Sonneman	.....	D26/68
D826,446	S *	8/2018	Chami	.....	D26/68
2008/0273333	A1 *	11/2008	Berns	.....	F21S 8/083 362/294
2011/0018448	A1 *	1/2011	Metchear, III	.....	F21S 8/083 315/152
2016/0003432	A1 *	1/2016	Sorensen	.....	F21S 8/083 362/235
2018/0313504	A1 *	11/2018	Eberts	.....	F21S 8/083

\* cited by examiner

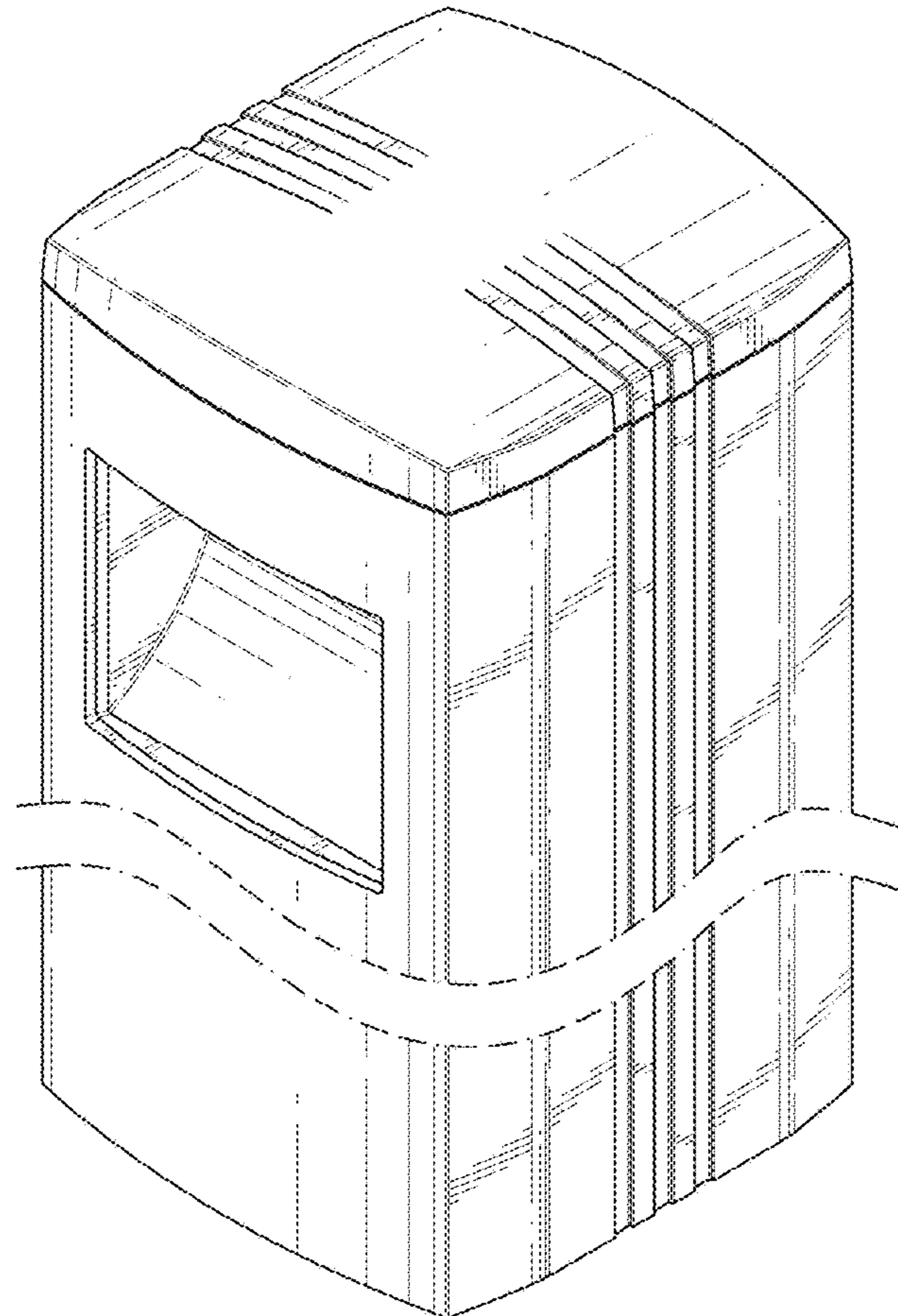


FIG. 1

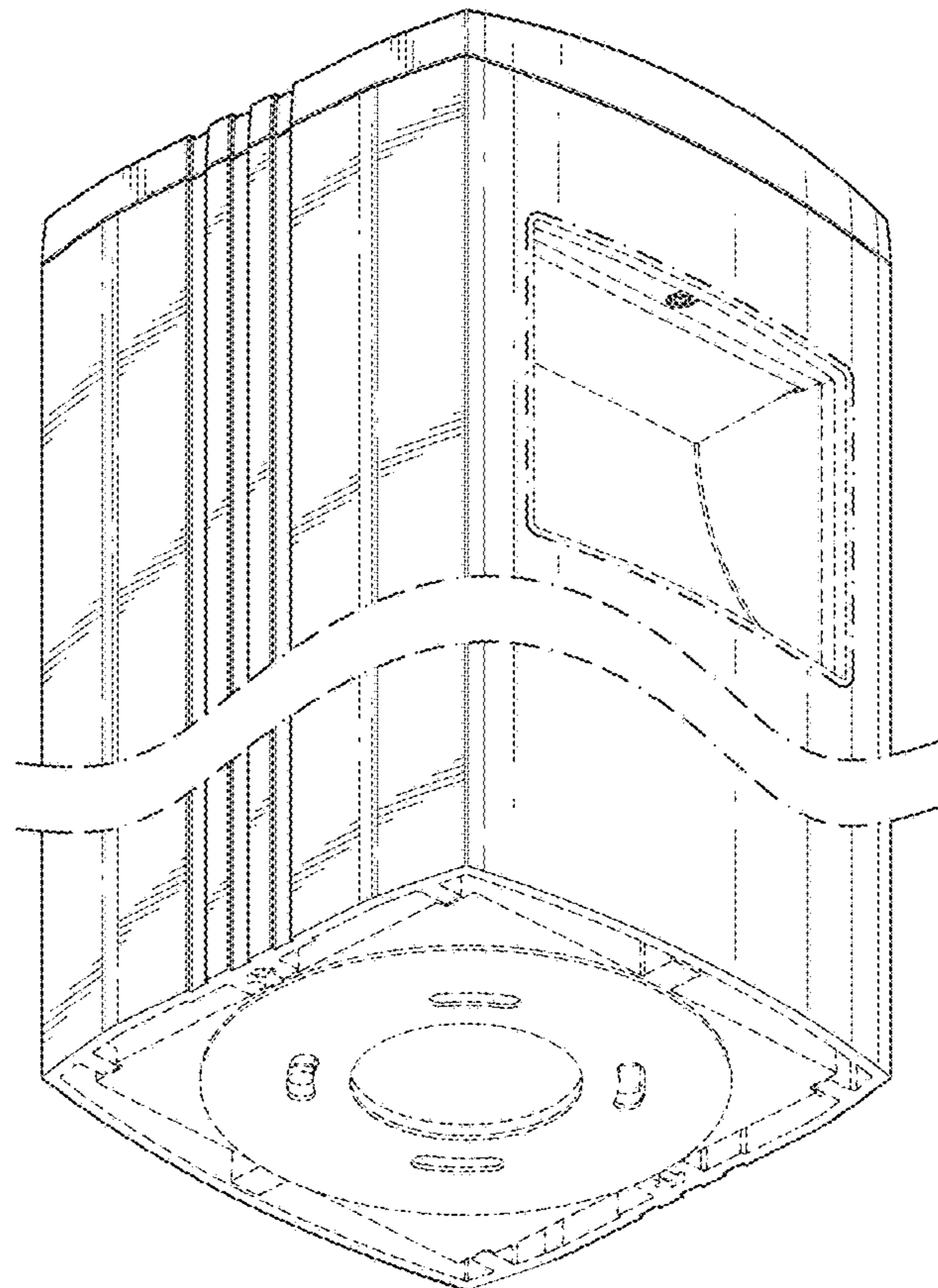


FIG. 2



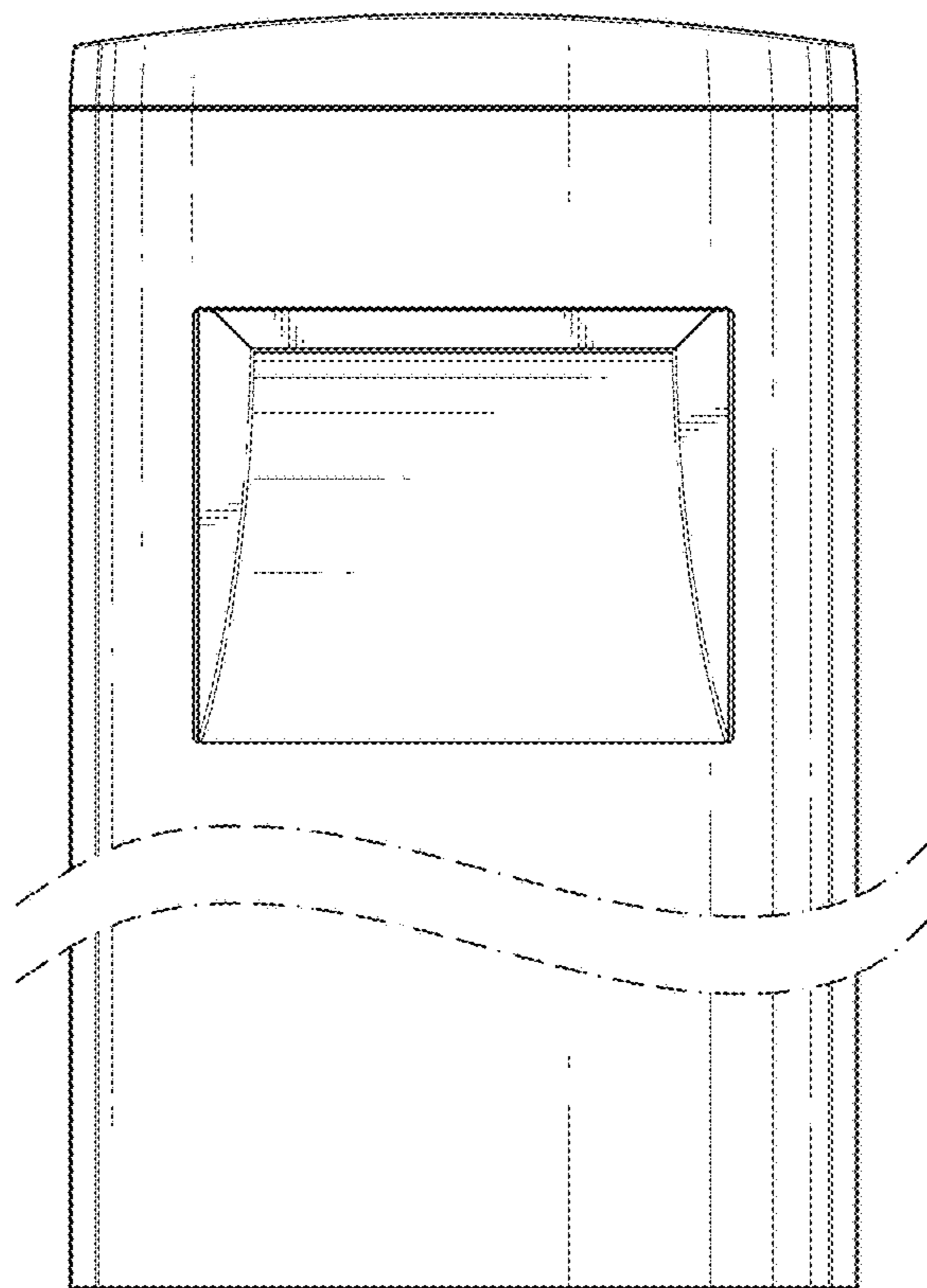


FIG. 3

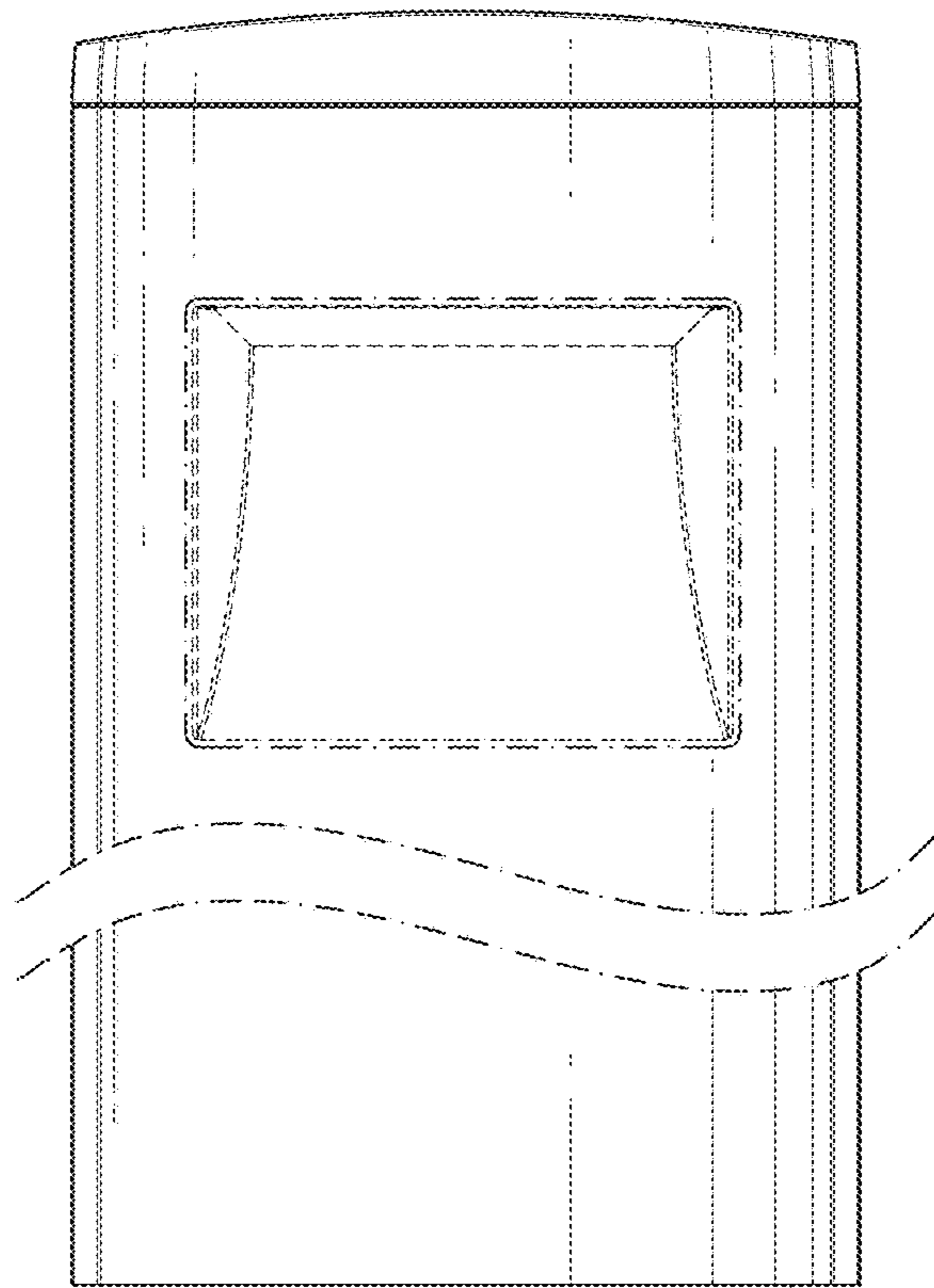


FIG. 4

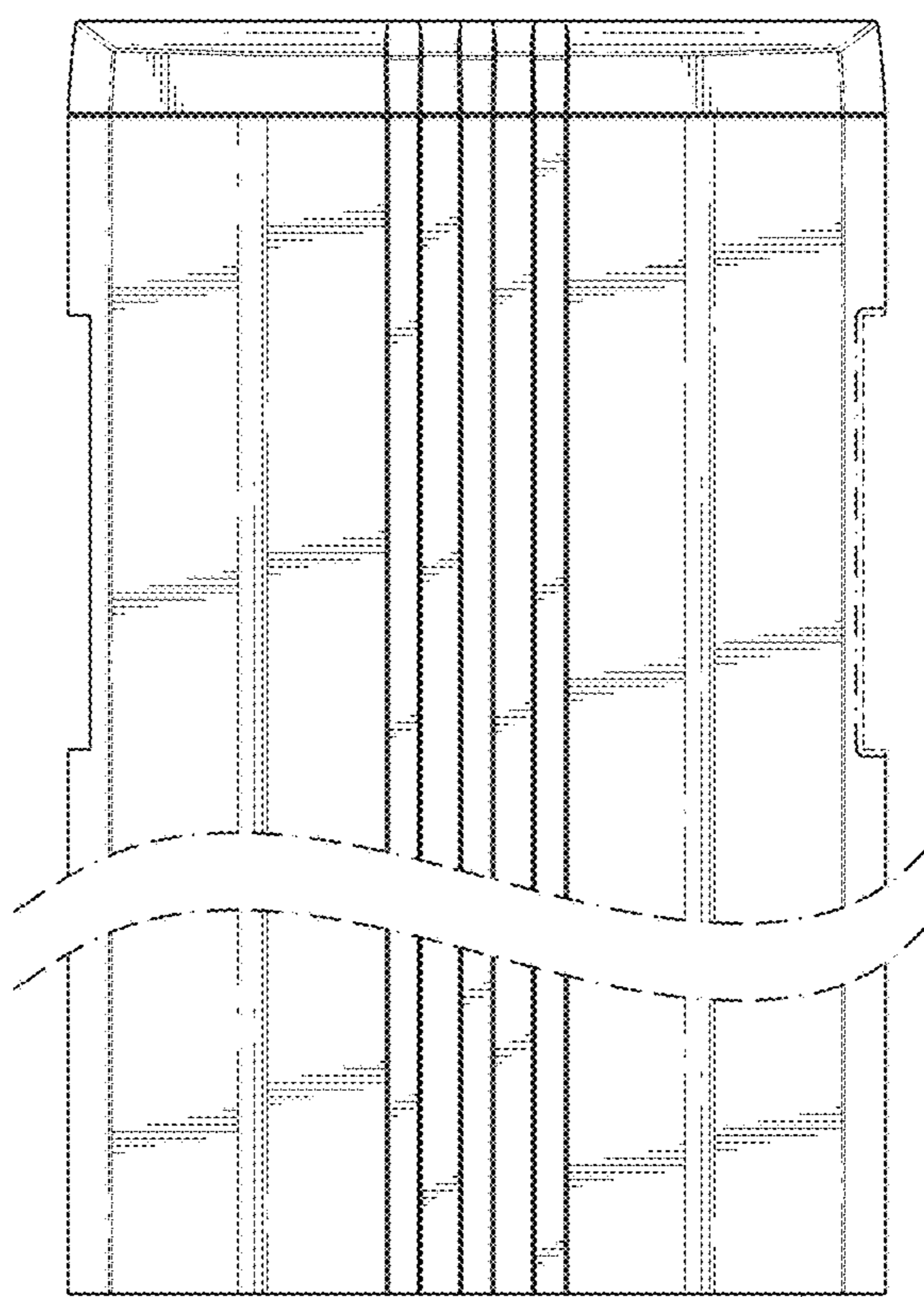


FIG. 5

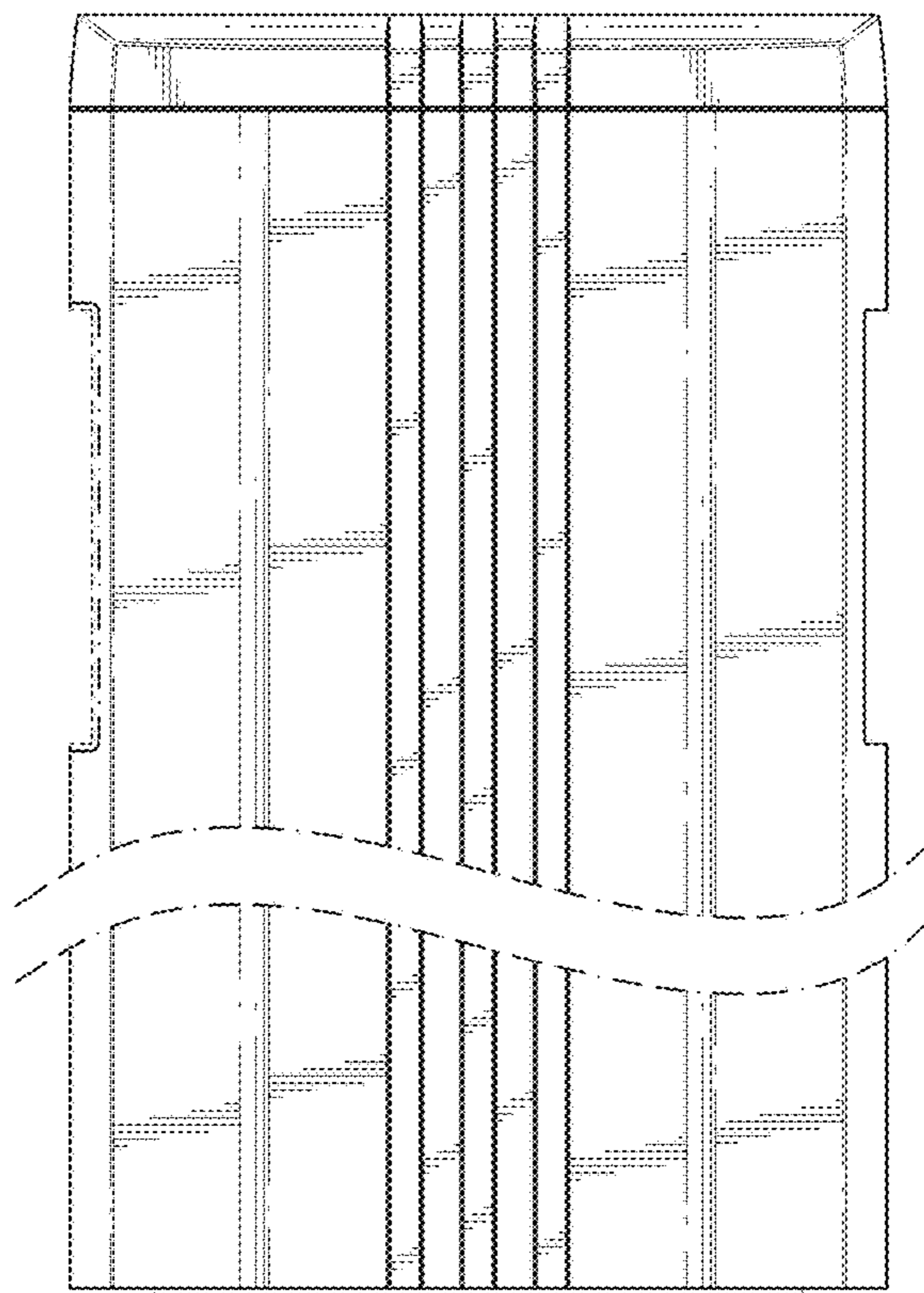


FIG. 6



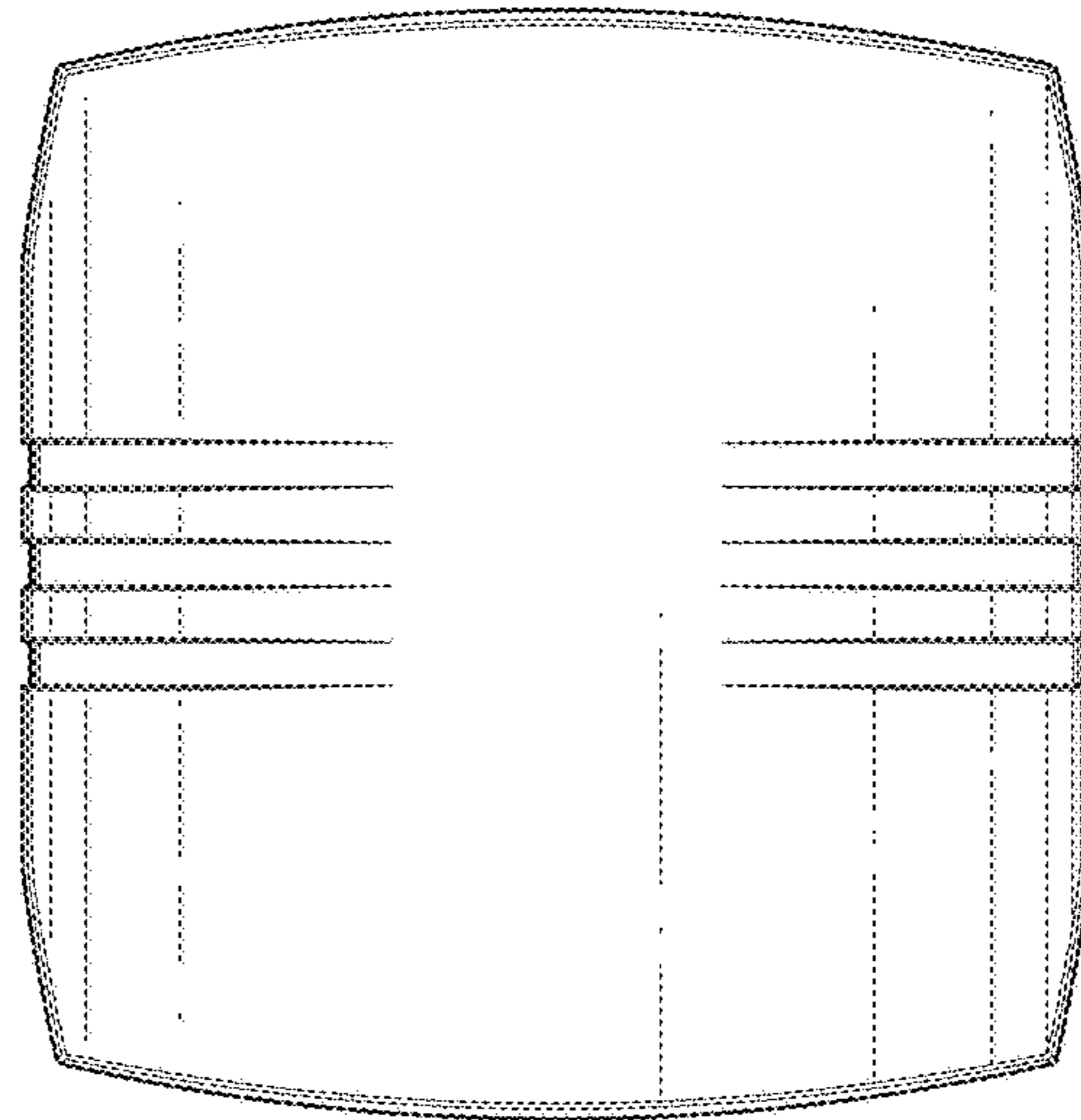


FIG. 7

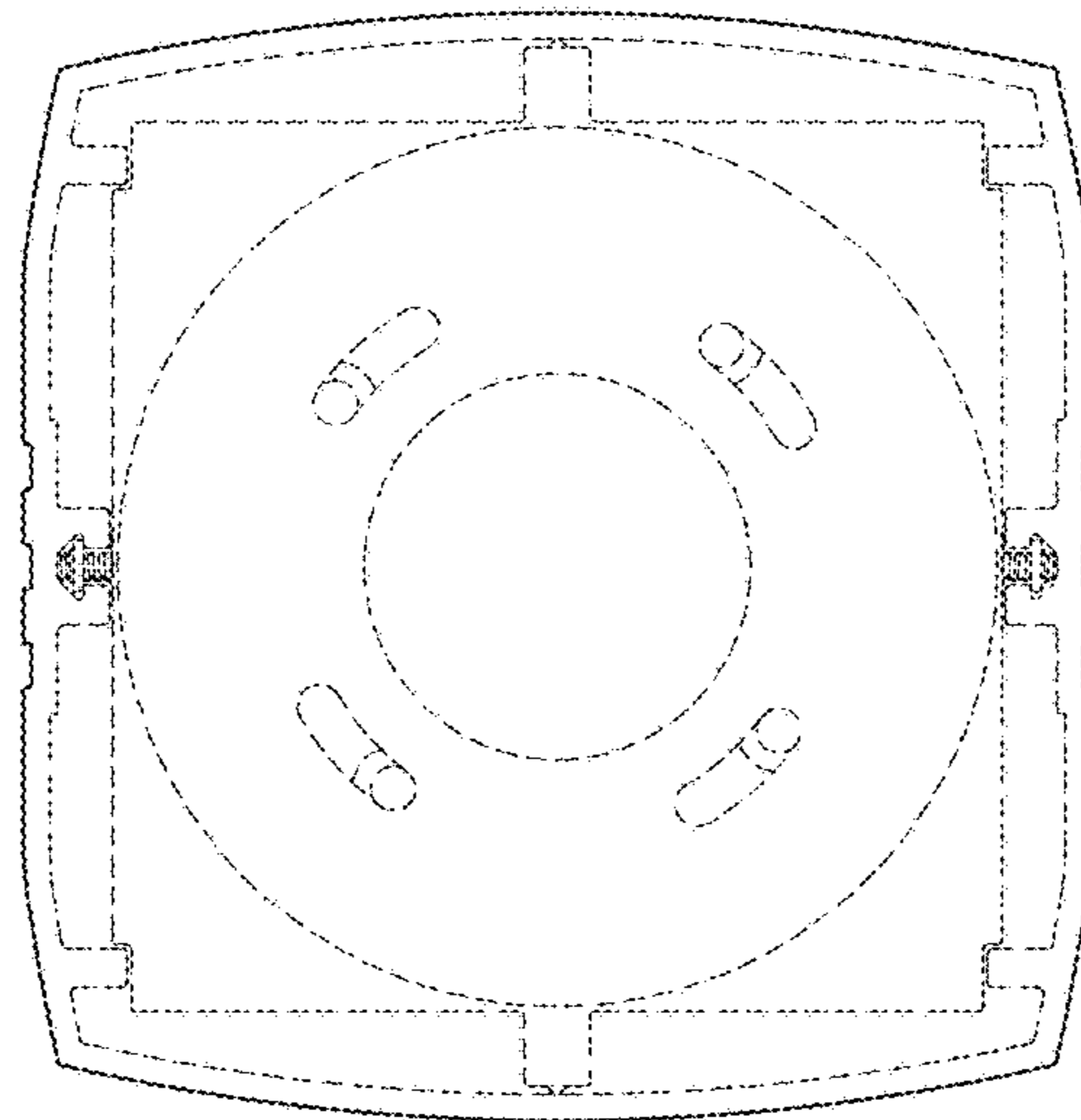


FIG. 8

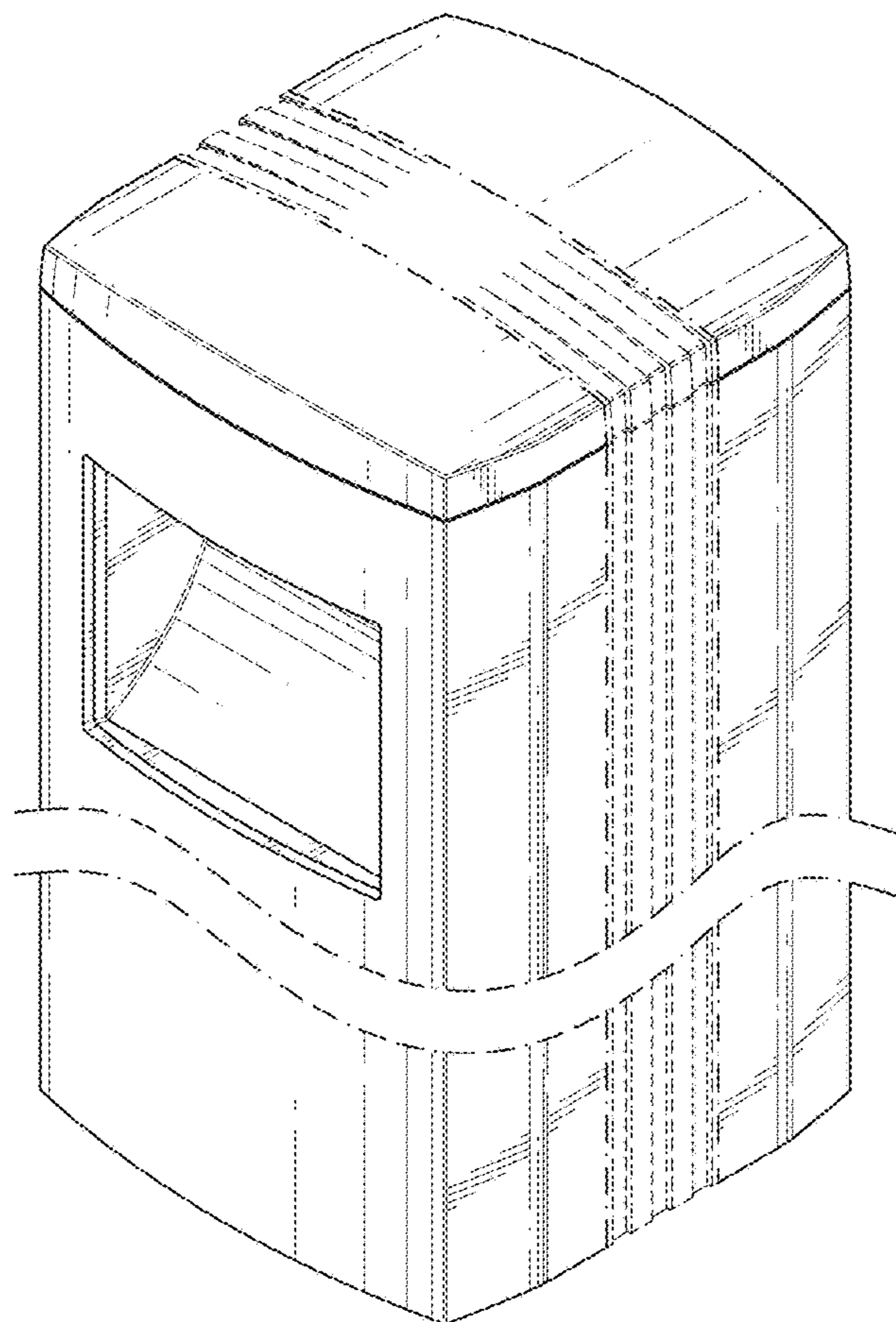


FIG. 9

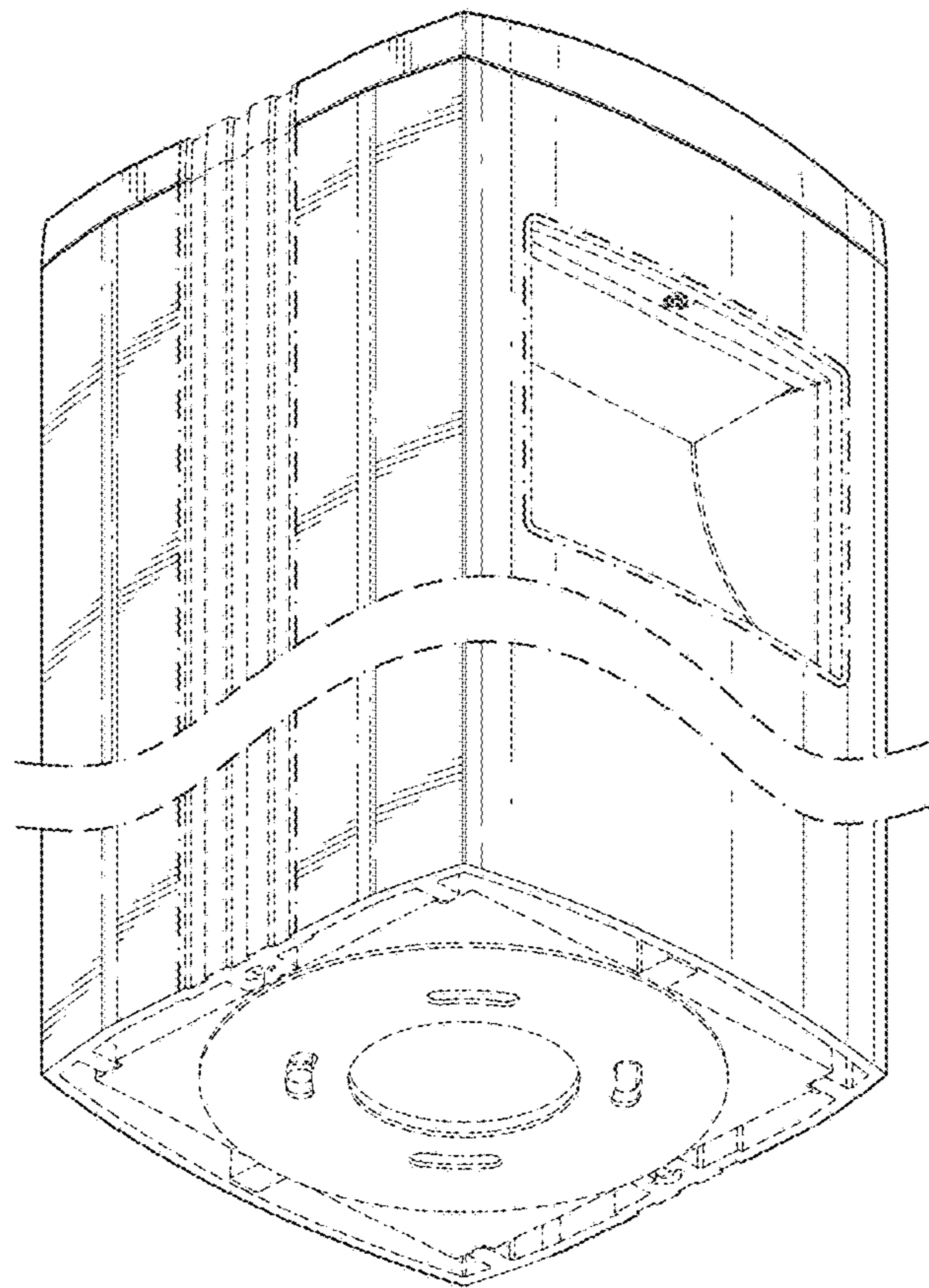


FIG. 10

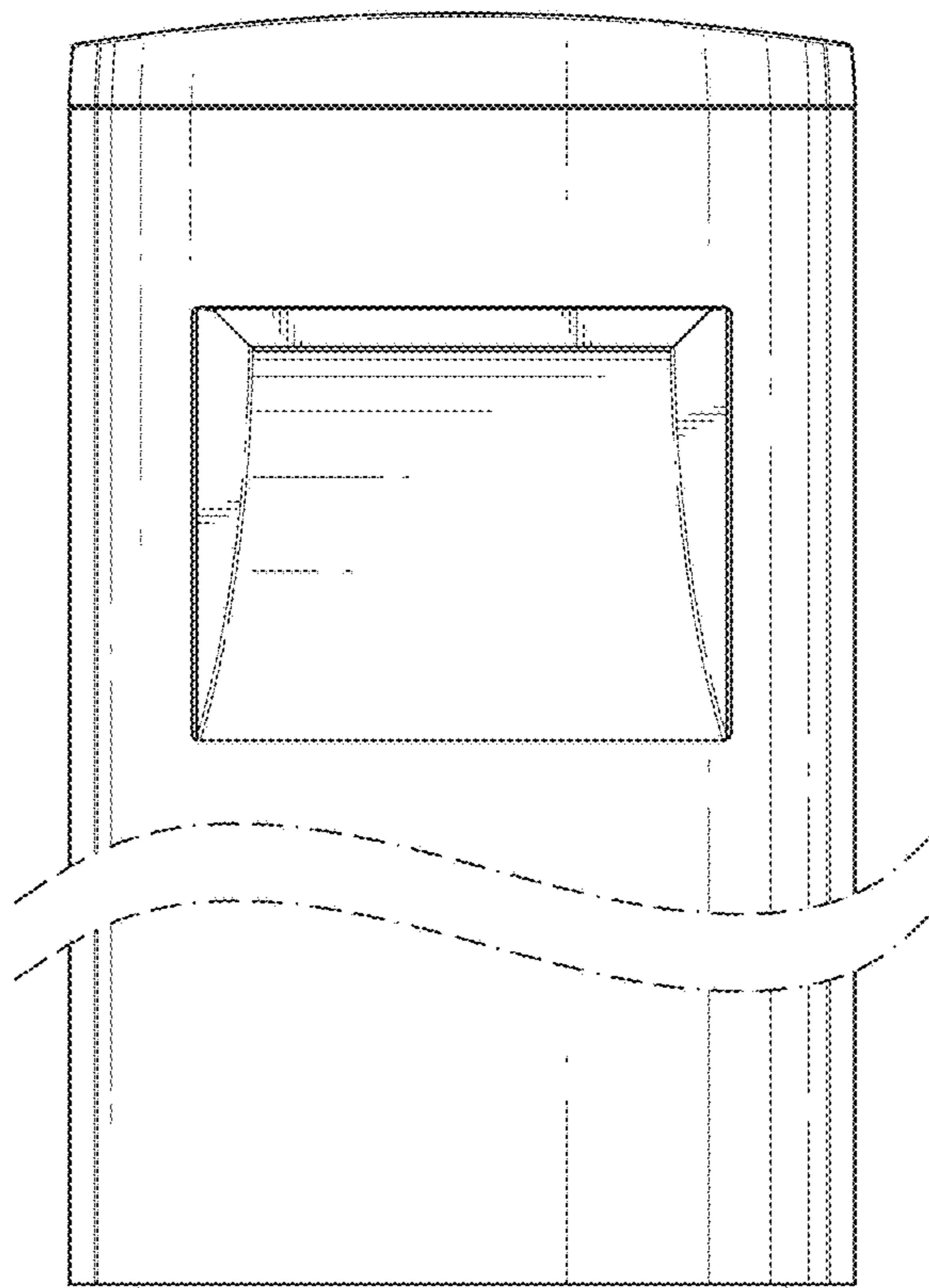


FIG. 11

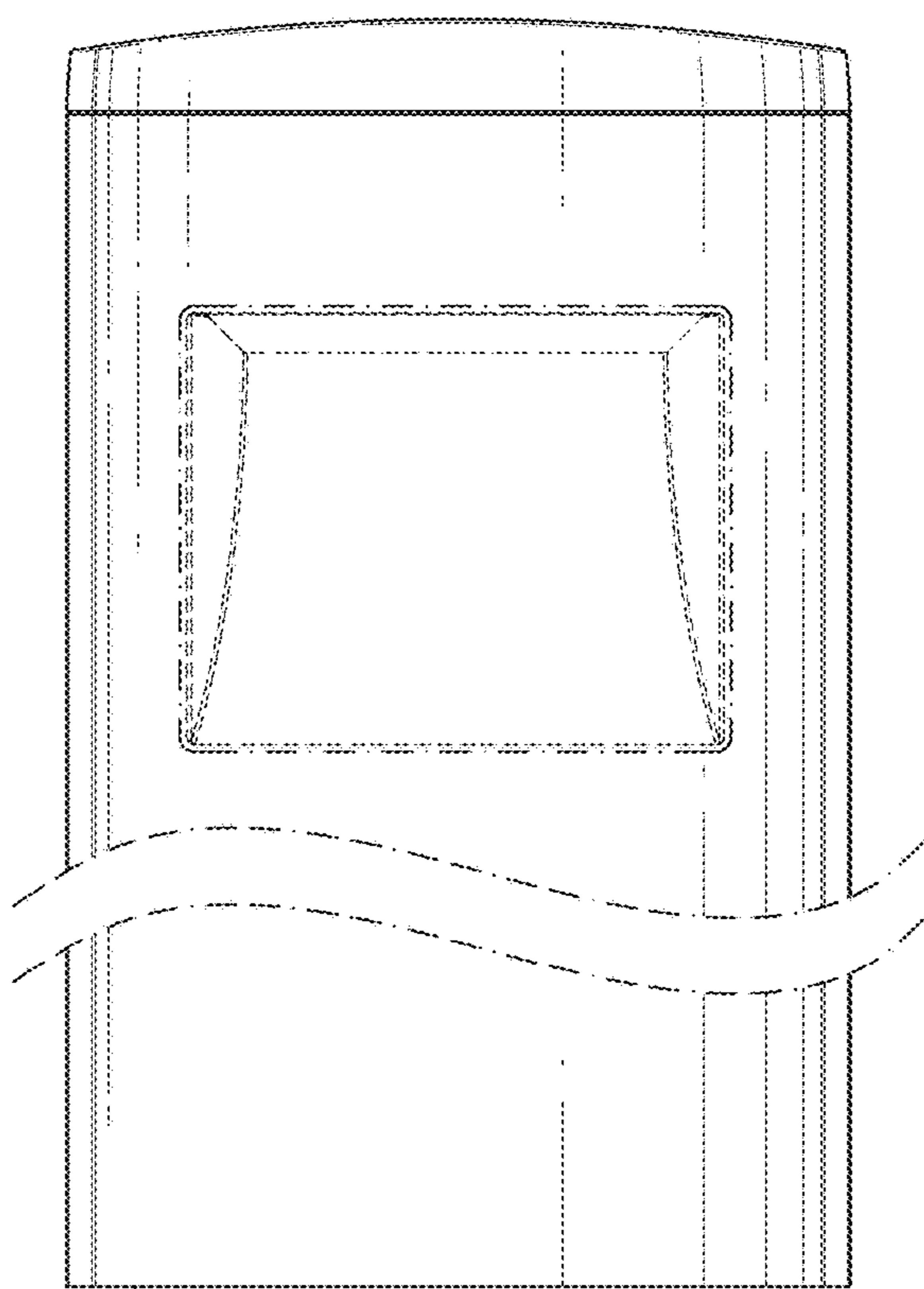


FIG. 12



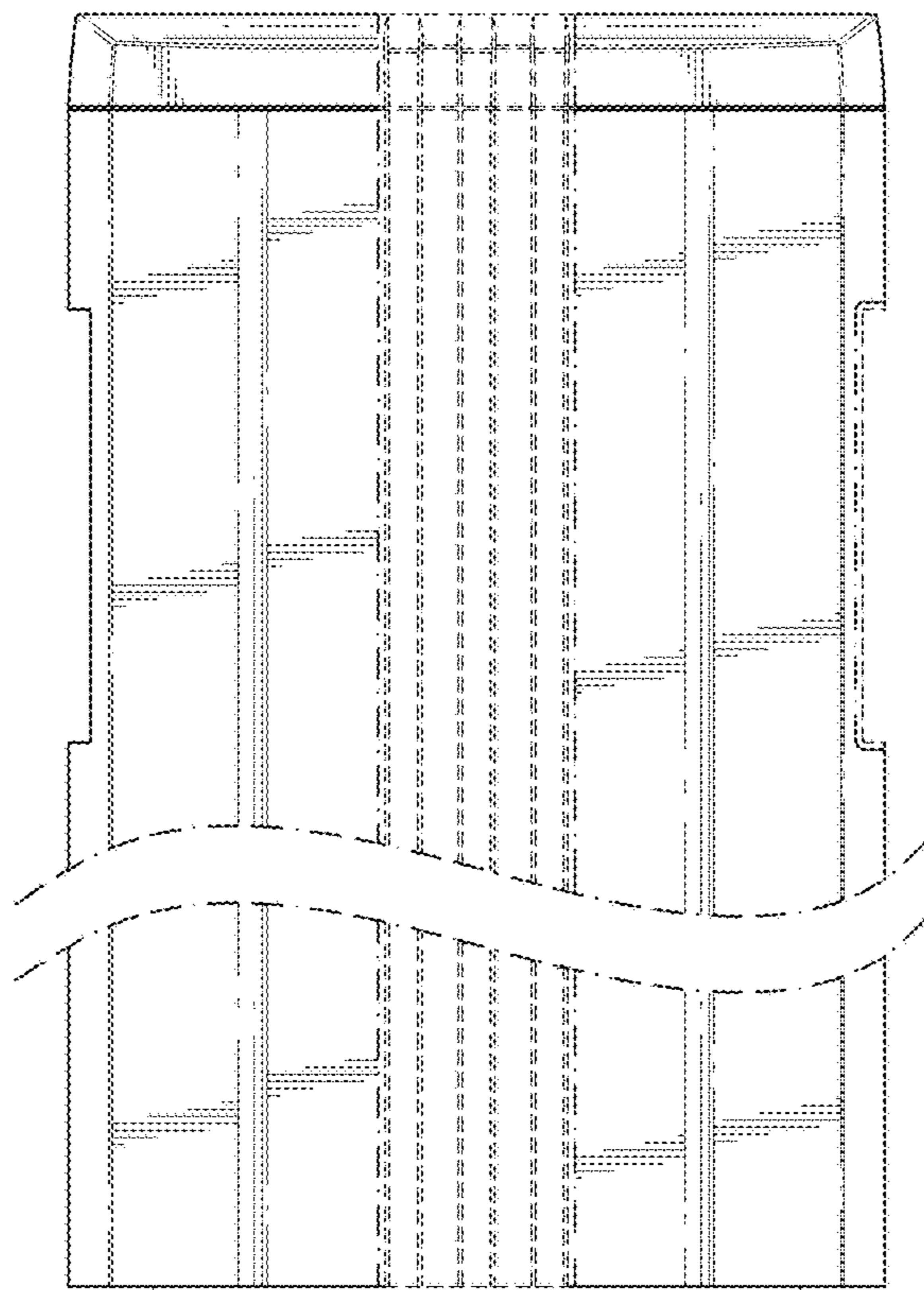


FIG. 13

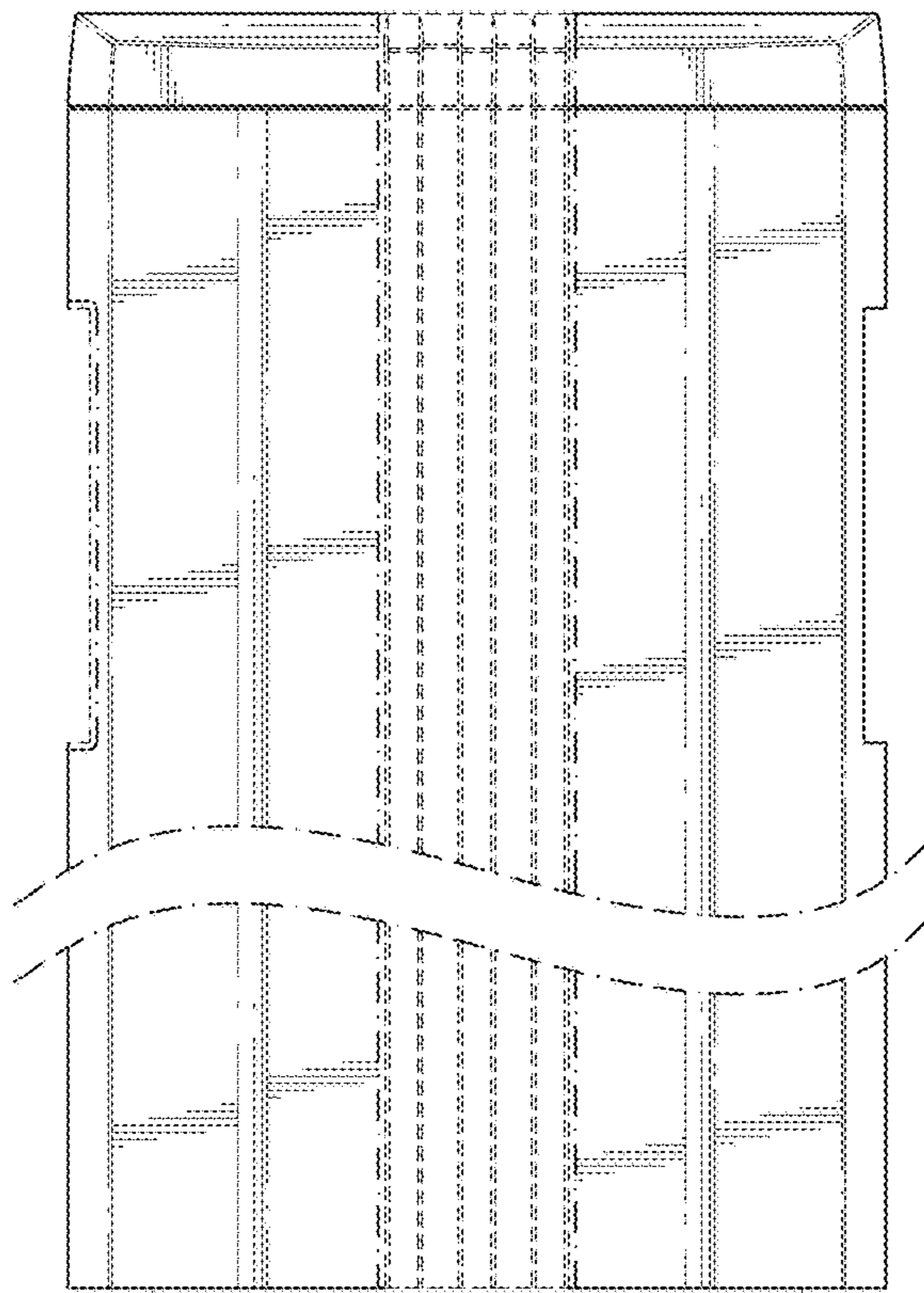


FIG. 14

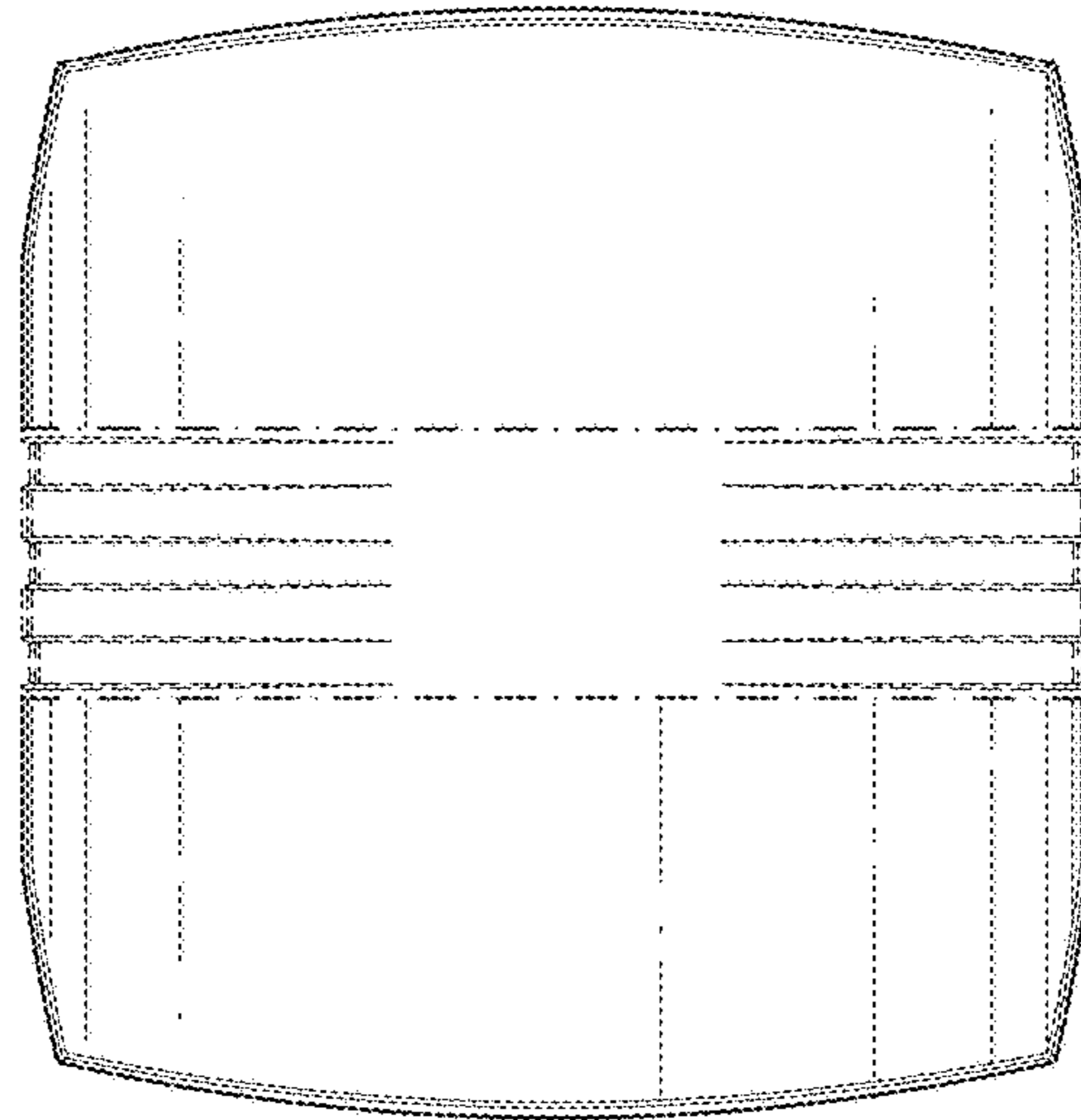


FIG. 15

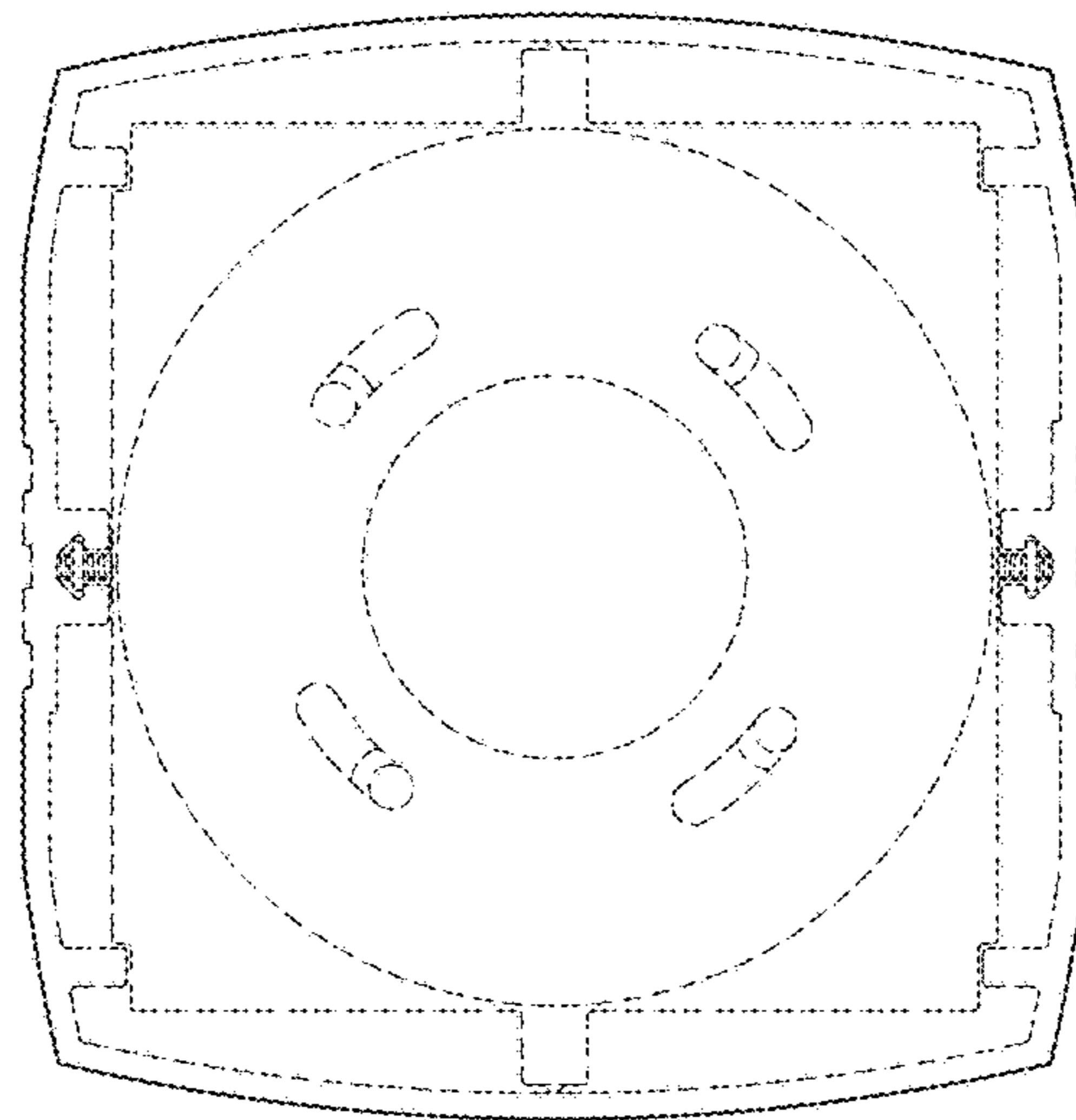


FIG. 16

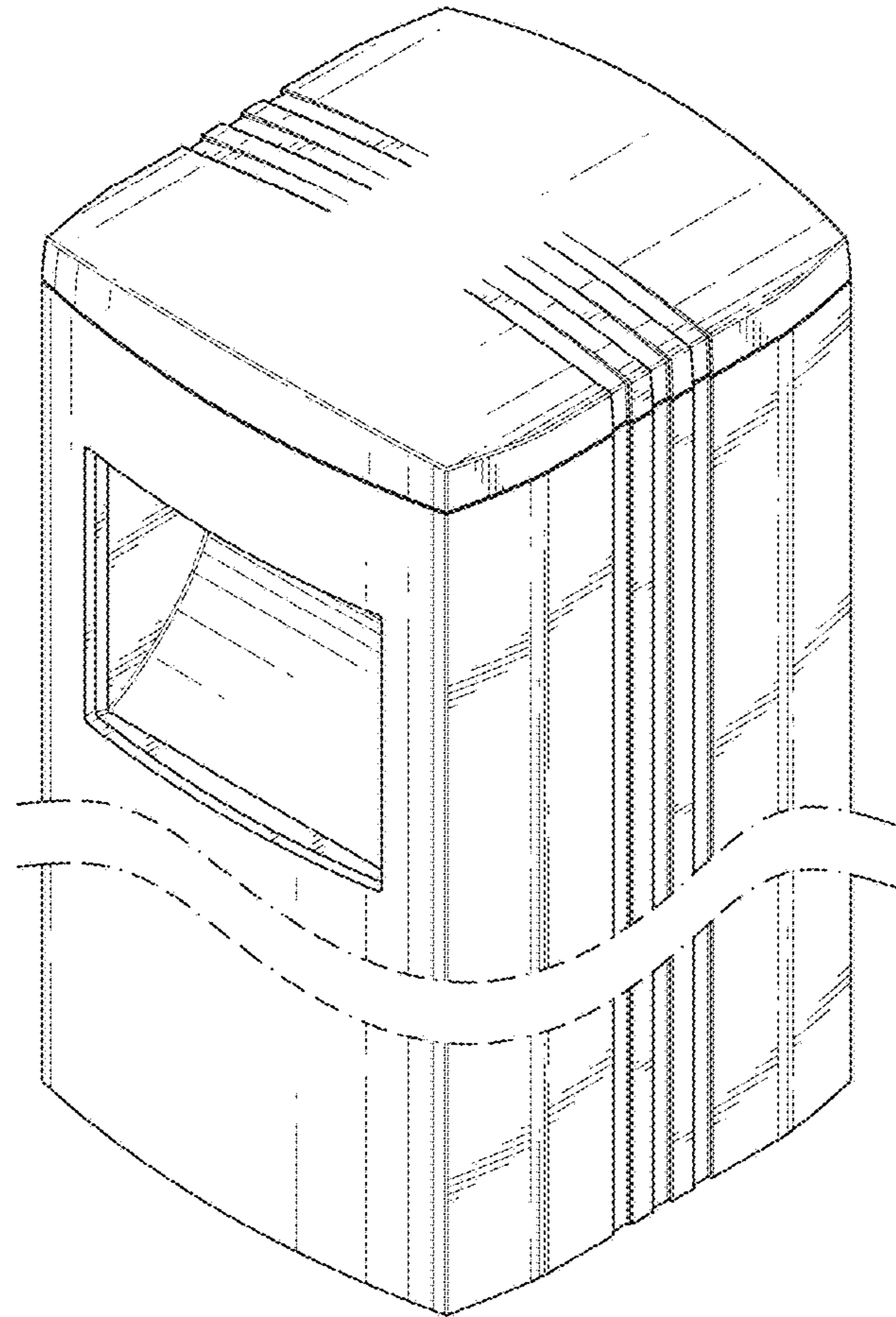


FIG. 17

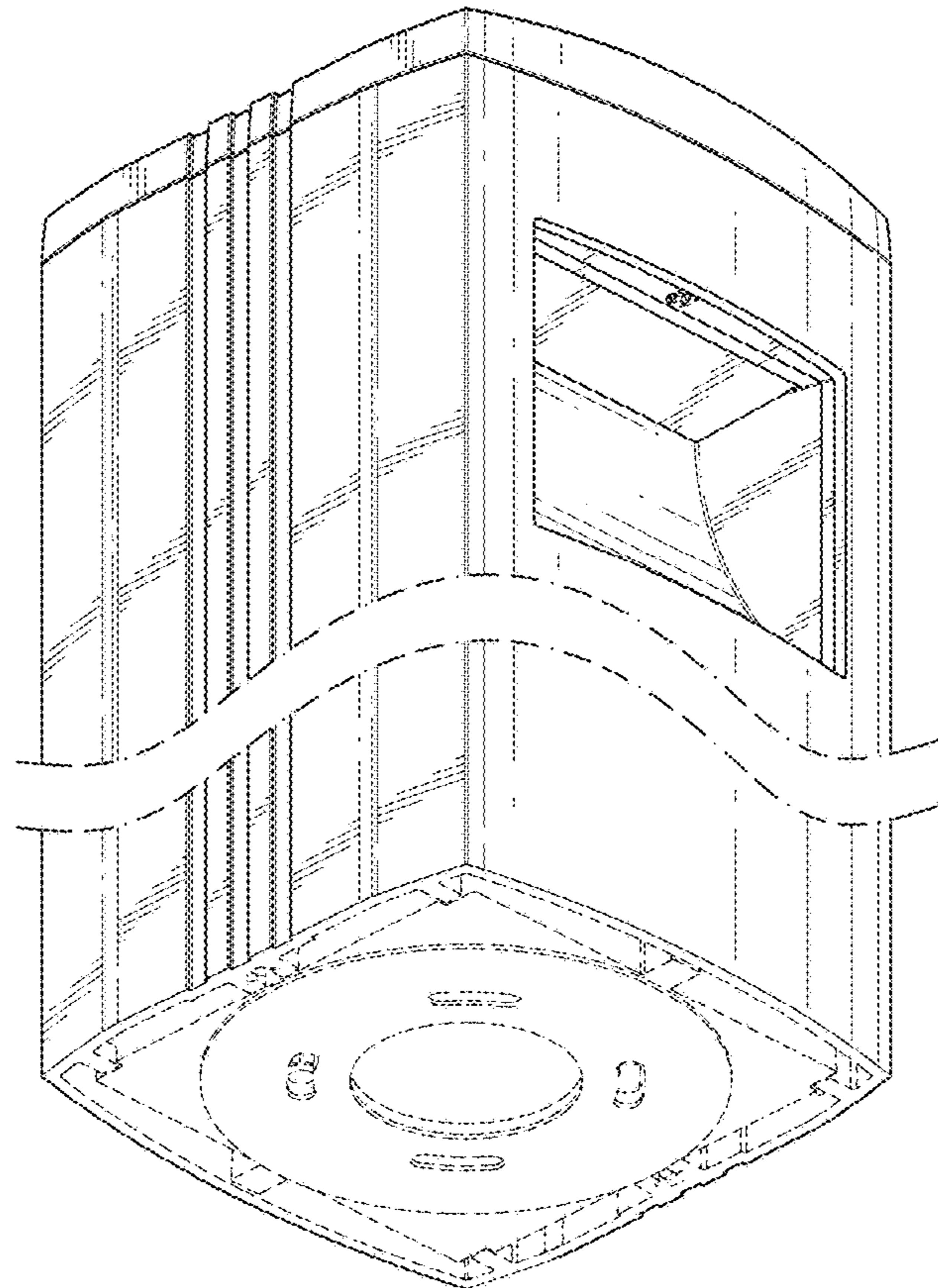


FIG. 18



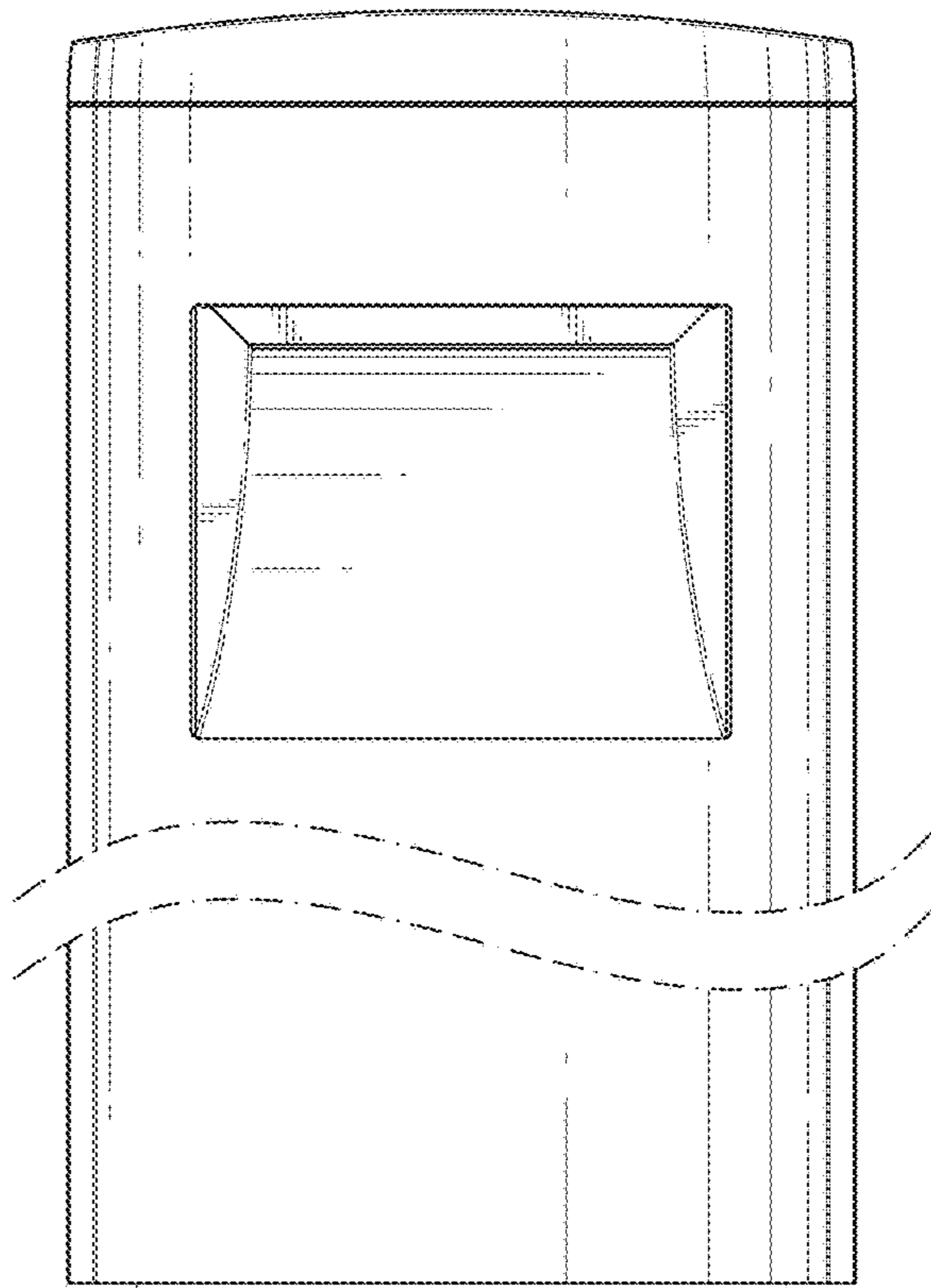


FIG. 19

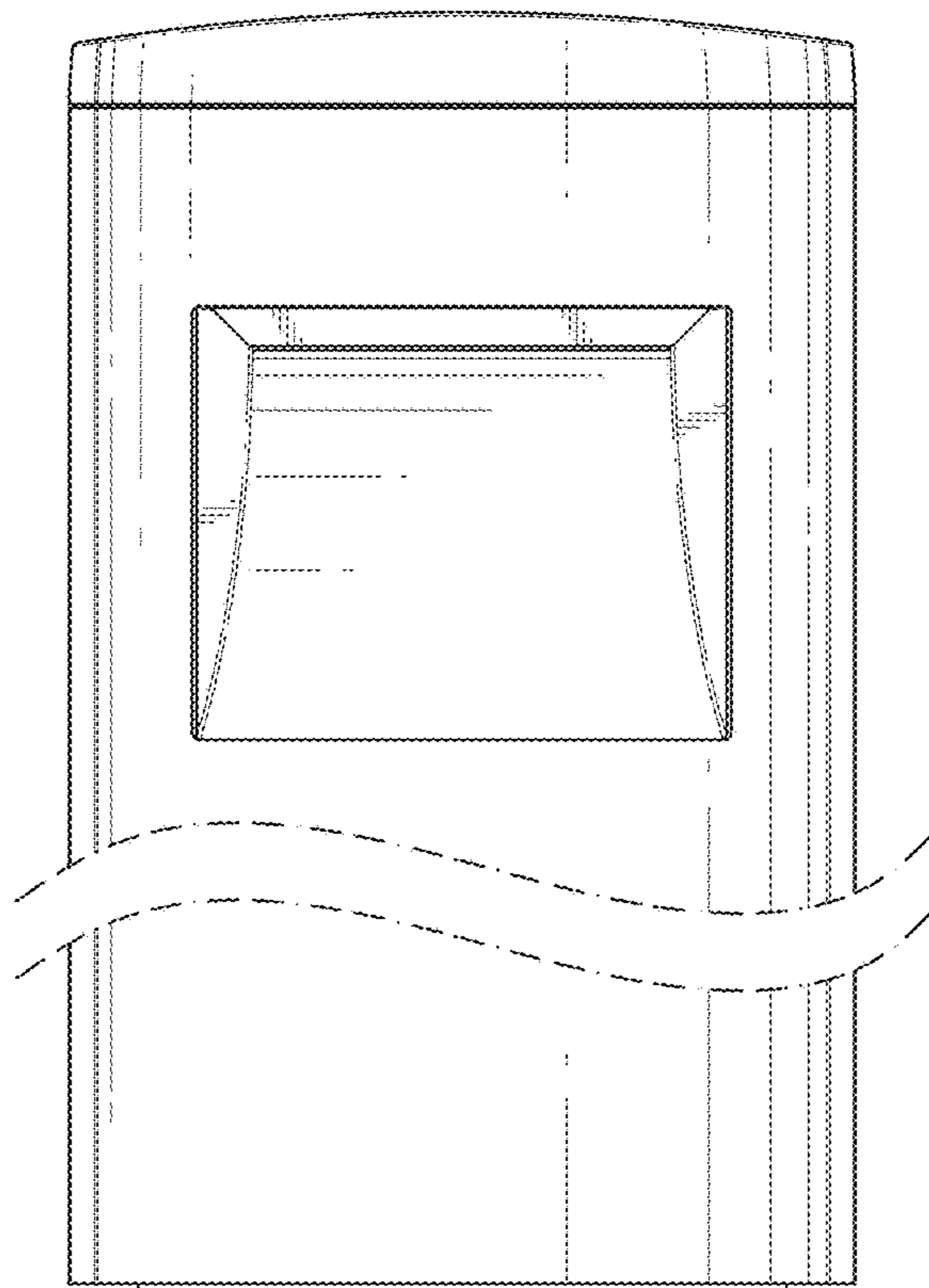


FIG. 20

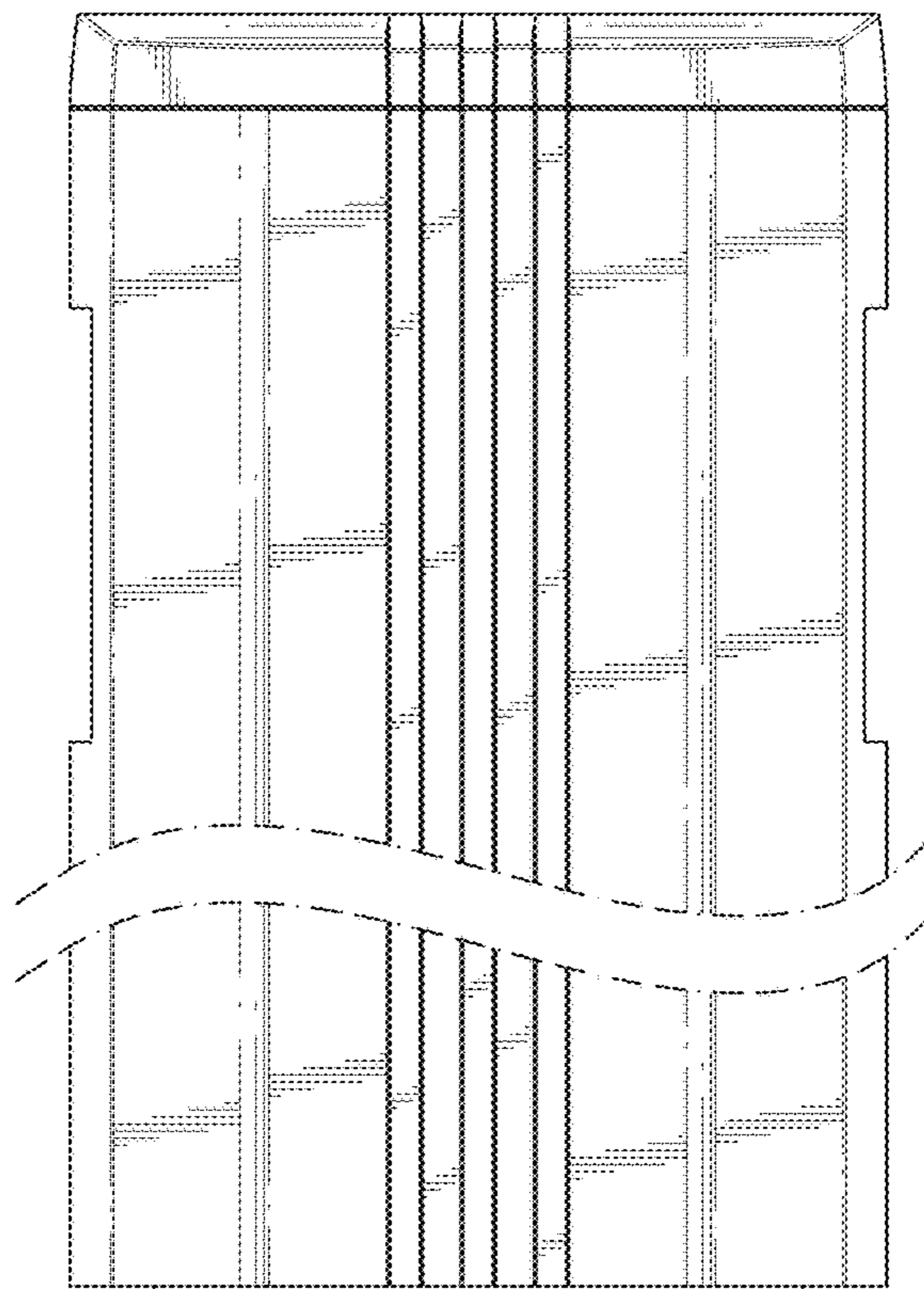


FIG. 21

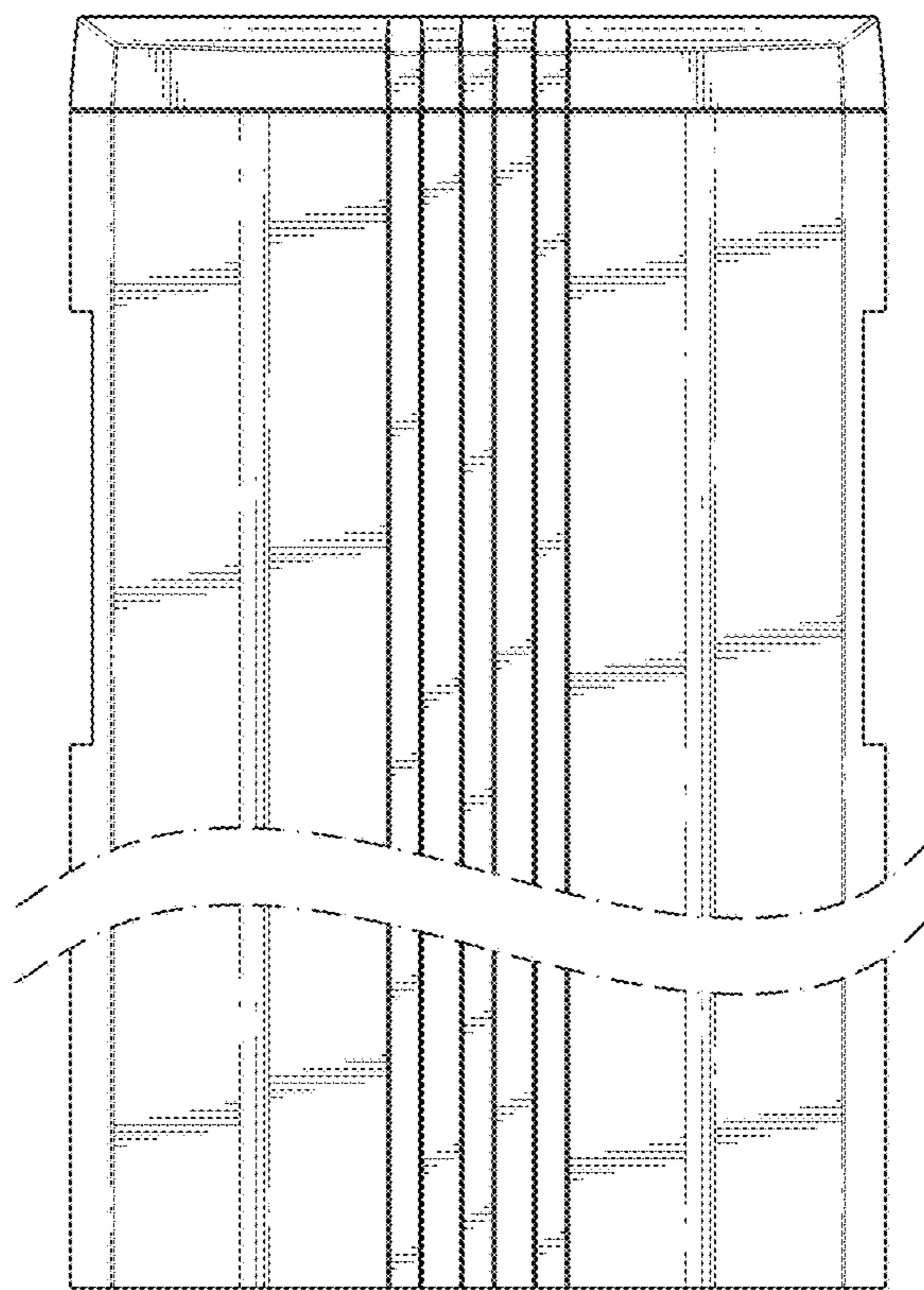


FIG. 22

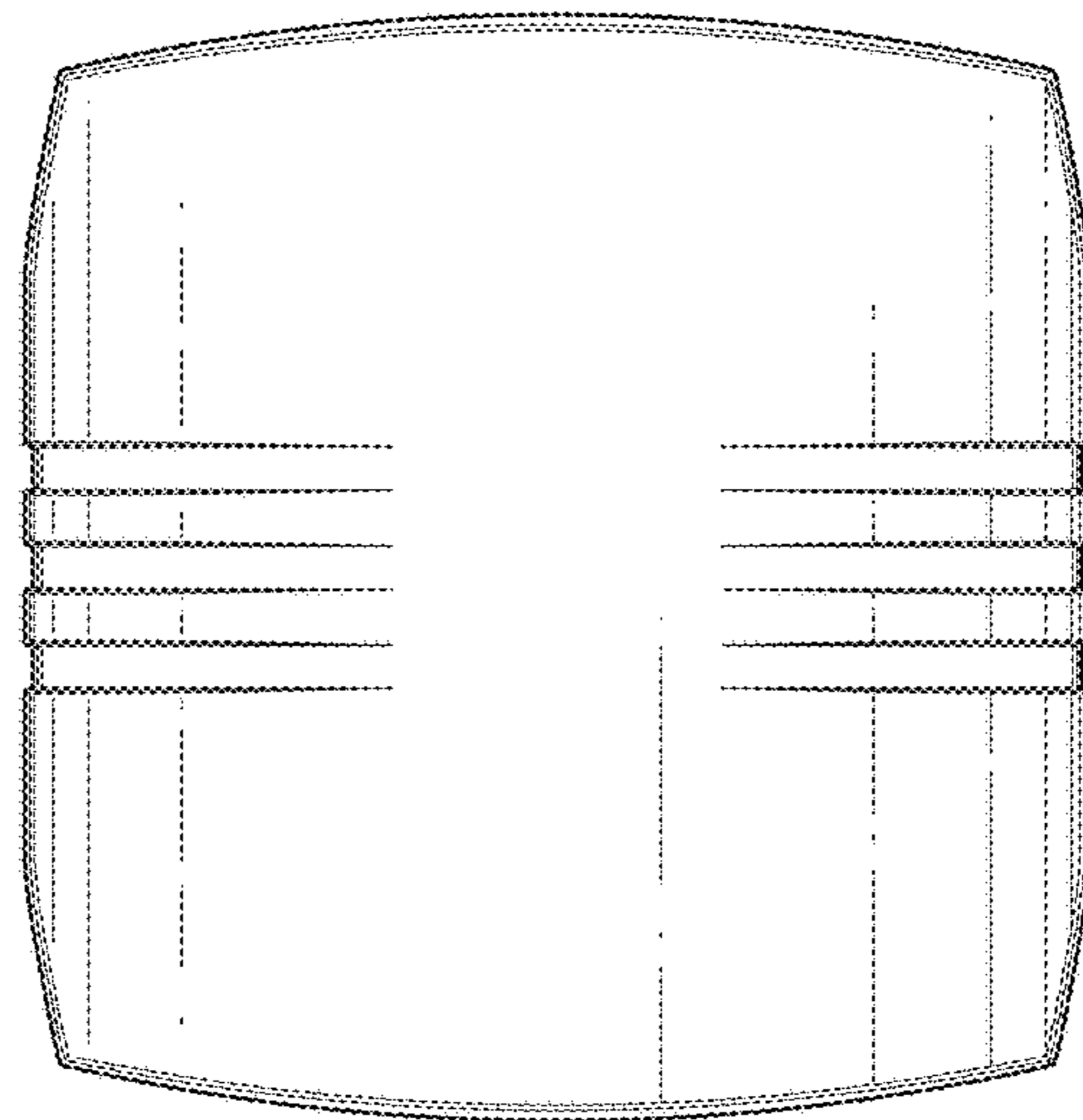


FIG. 23

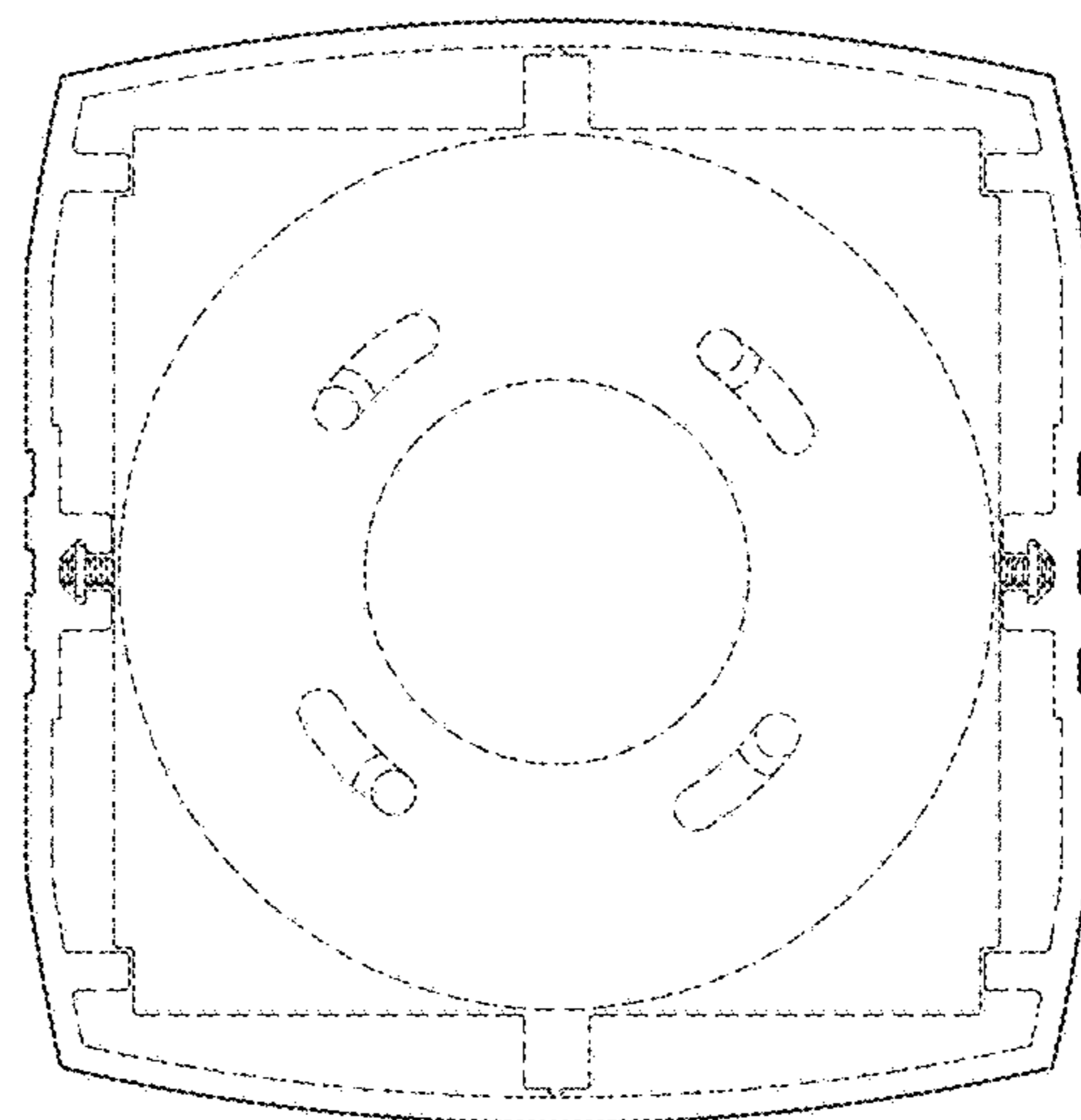


FIG. 24