



US00D844875S

(12) **United States Design Patent** (10) **Patent No.:** **US D844,875 S**
Jeon (45) **Date of Patent:** **** Apr. 2, 2019**

(54) **LANTERN SPEAKER**
(71) Applicant: **SDI Technologies, Inc.**, Rahway, NJ (US)
(72) Inventor: **Sunki Jeon**, Paramus, NJ (US)
(73) Assignee: **SDI Technologies, Inc.**, Rahway, NJ (US)
(**) Term: **15 Years**
(21) Appl. No.: **29/574,065**
(22) Filed: **Aug. 11, 2016**
(51) **LOC (11) Cl.** **26-01**
(52) **U.S. Cl.**
USPC **D26/51**
(58) **Field of Classification Search**
USPC D26/37, 40, 41, 38, 51; D14/204, 221
CPC F21L 2003/00; F21L 4/00; F21L 4/005;
F21L 4/02; F21L 4/025; F21L 4/027;
F21L 4/04; F21L 4/08; F21L 2005/00;
F21L 7/00; F21L 11/00; F21L 13/00;
F21L 13/04; F21L 13/08; F21L 14/02;
F21L 17/00
See application file for complete search history.

(56) **References Cited**
U.S. PATENT DOCUMENTS
D234,799 S * 4/1975 Robson D14/172
D407,171 S * 3/1999 Yuen D26/41
D411,322 S * 6/1999 Suzuki D20/10
D519,658 S * 4/2006 Izardel D10/111
D554,785 S * 11/2007 Brown D26/41
D565,766 S * 4/2008 Shiu D26/40
D610,283 S * 2/2010 Loibl D26/40
D612,084 S * 3/2010 Hillard D26/40
D692,717 S * 11/2013 Lai D7/354
D693,499 S * 11/2013 Bennett D26/37

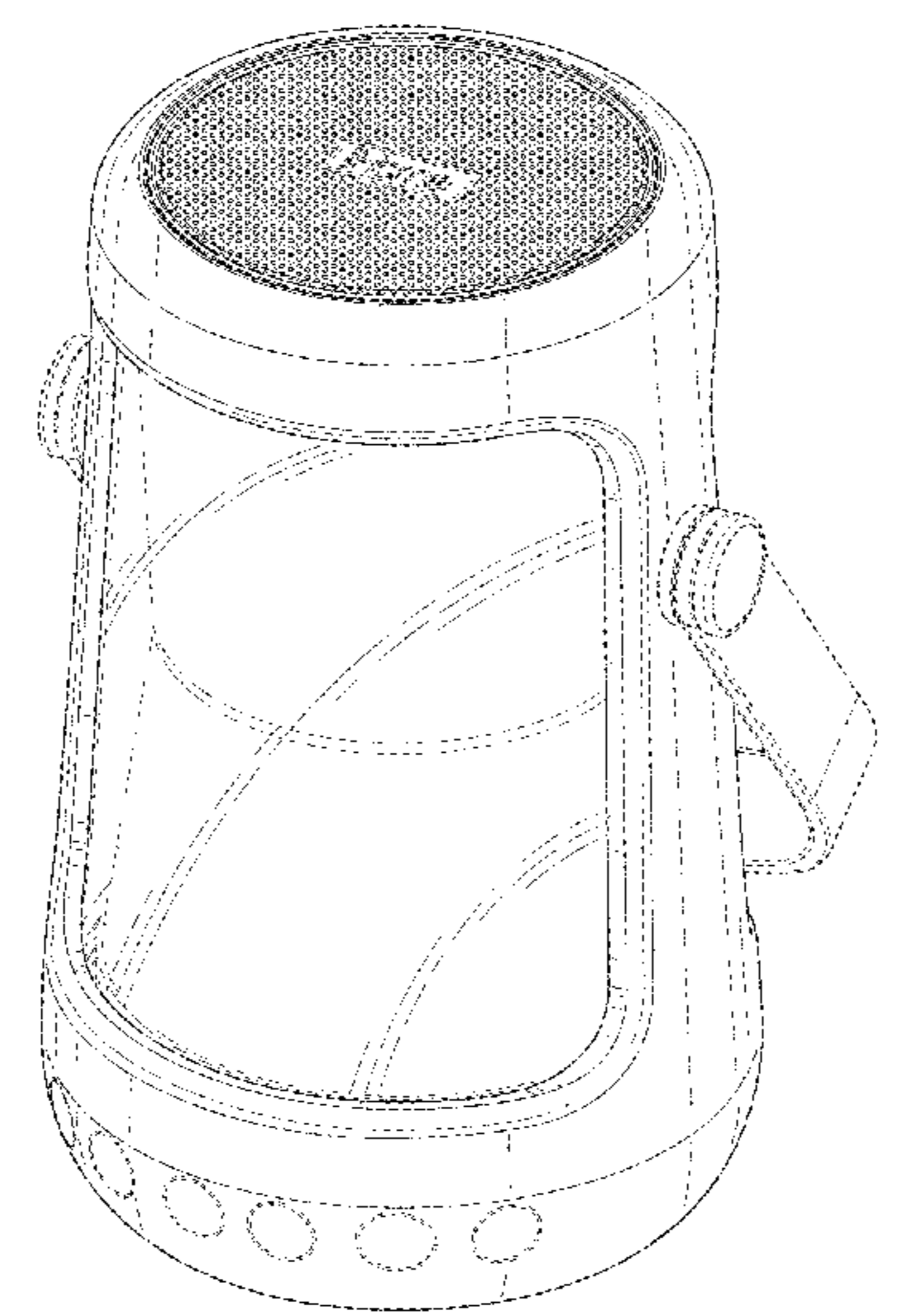
D697,173 S * 1/2014 Bradford D23/209
D729,428 S * 5/2015 Shen D26/41
D740,475 S * 10/2015 Pineau D26/37
D763,819 S * 8/2016 Silvera D14/204
D773,704 S * 12/2016 Pardo D26/41
D776,315 S * 1/2017 Wu D26/41
D783,872 S * 4/2017 Aksnes D26/41
D788,070 S * 5/2017 Lukic D14/204
D788,075 S * 5/2017 Bailey D14/204
D791,740 S * 7/2017 Fuller D14/204
D796,725 S * 9/2017 Recker D26/104
D804,444 S * 12/2017 Ahn D14/204
D805,059 S * 12/2017 Fischer D14/221
D807,320 S * 1/2018 Wong D14/204

* cited by examiner
Primary Examiner — Lakiya G Rogers
Assistant Examiner — Carissa C Fitts
(74) *Attorney, Agent, or Firm* — Leason Ellis LLP

(57) **CLAIM**
The ornamental design for a lantern speaker, as shown and described.

DESCRIPTION
FIG. 1 is a front perspective view of a lantern speaker according to my new design;
FIG. 2 is a front view of the design of FIG. 1;
FIG. 3 is a rear view of the design of FIG. 2;
FIG. 4 is a left side view of the design of FIG. 2;
FIG. 5 is a right side view of the design of FIG. 2;
FIG. 6 is a top view of the design of FIG. 2; and,
FIG. 7 is a bottom view of the design of FIG. 2.
The broken lines, including the handle, connectors allowing the handle to move between lowered and raised positions, and buttons, show environmental structure that form no part of the claimed design, with the underlying surface being continuous and uninterrupted.

1 Claim, 7 Drawing Sheets



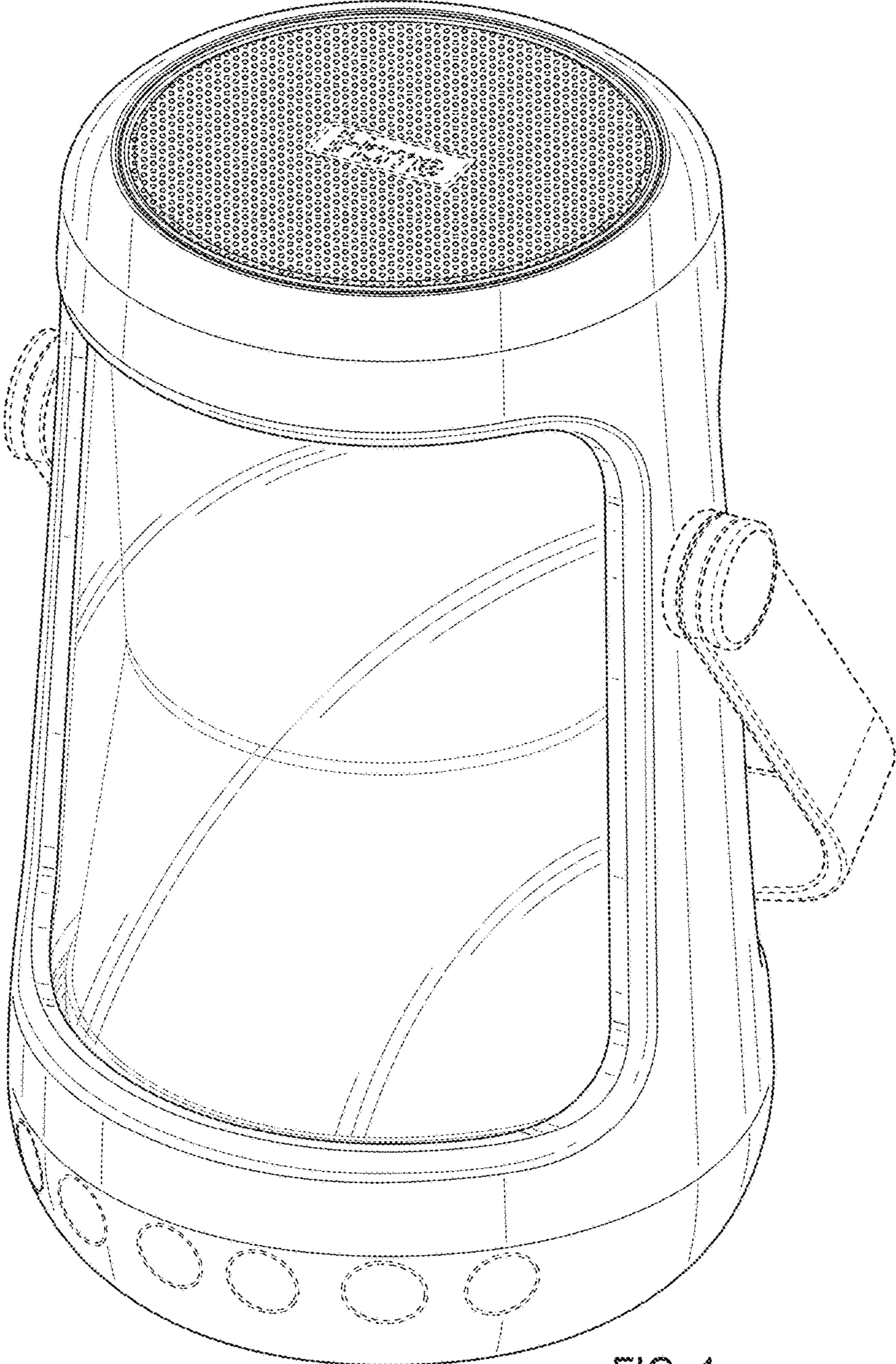


FIG. 1

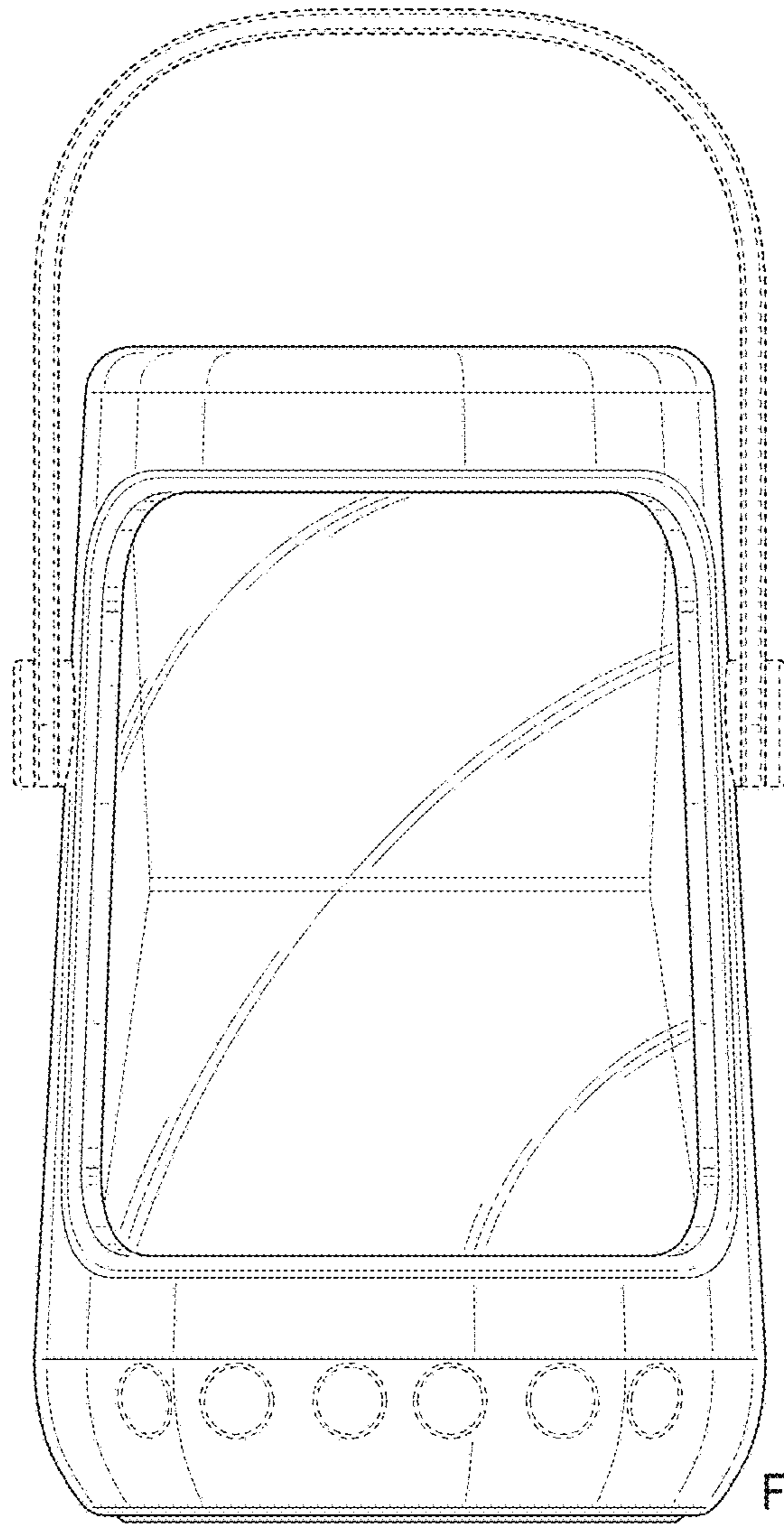


FIG. 2

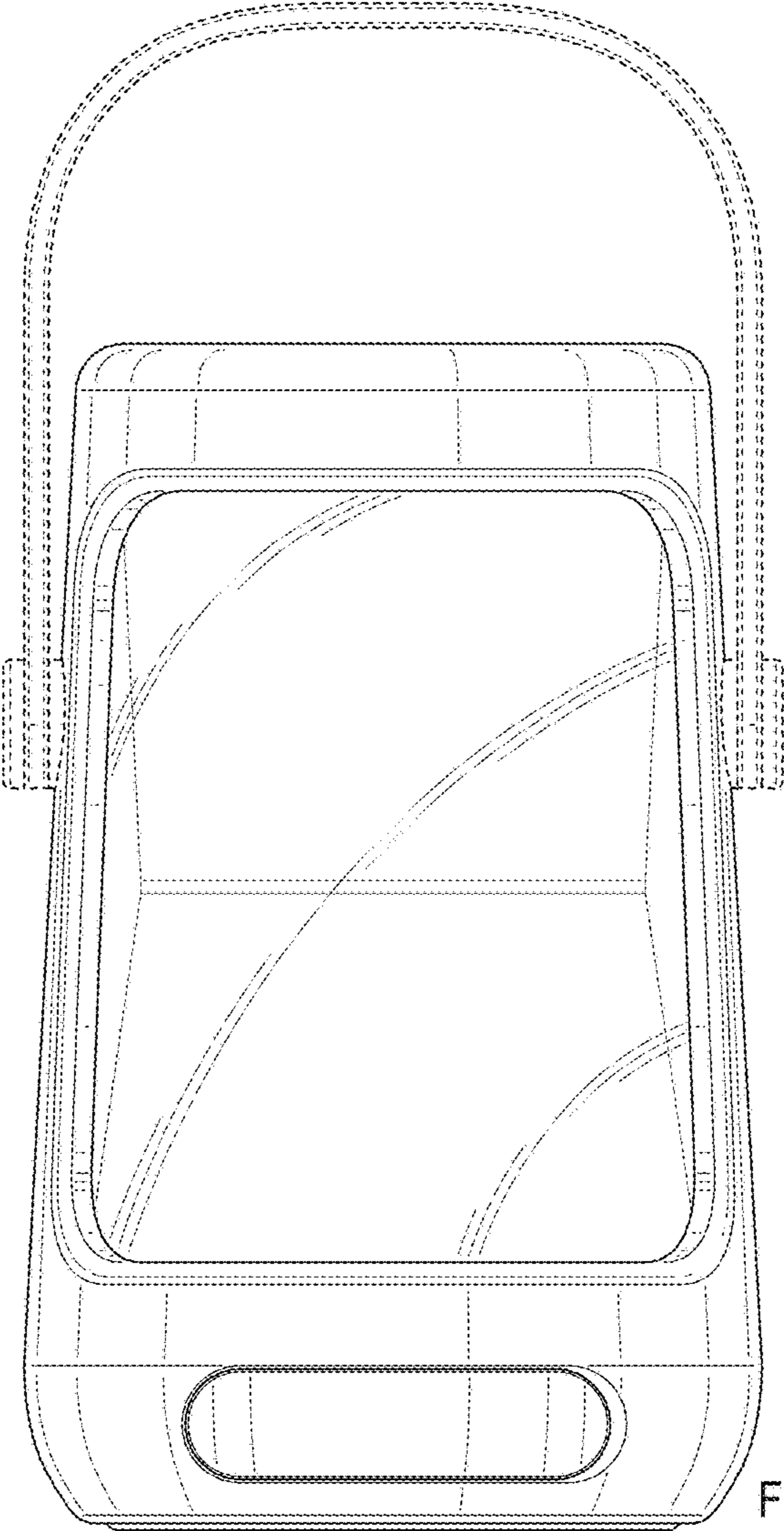


FIG. 3

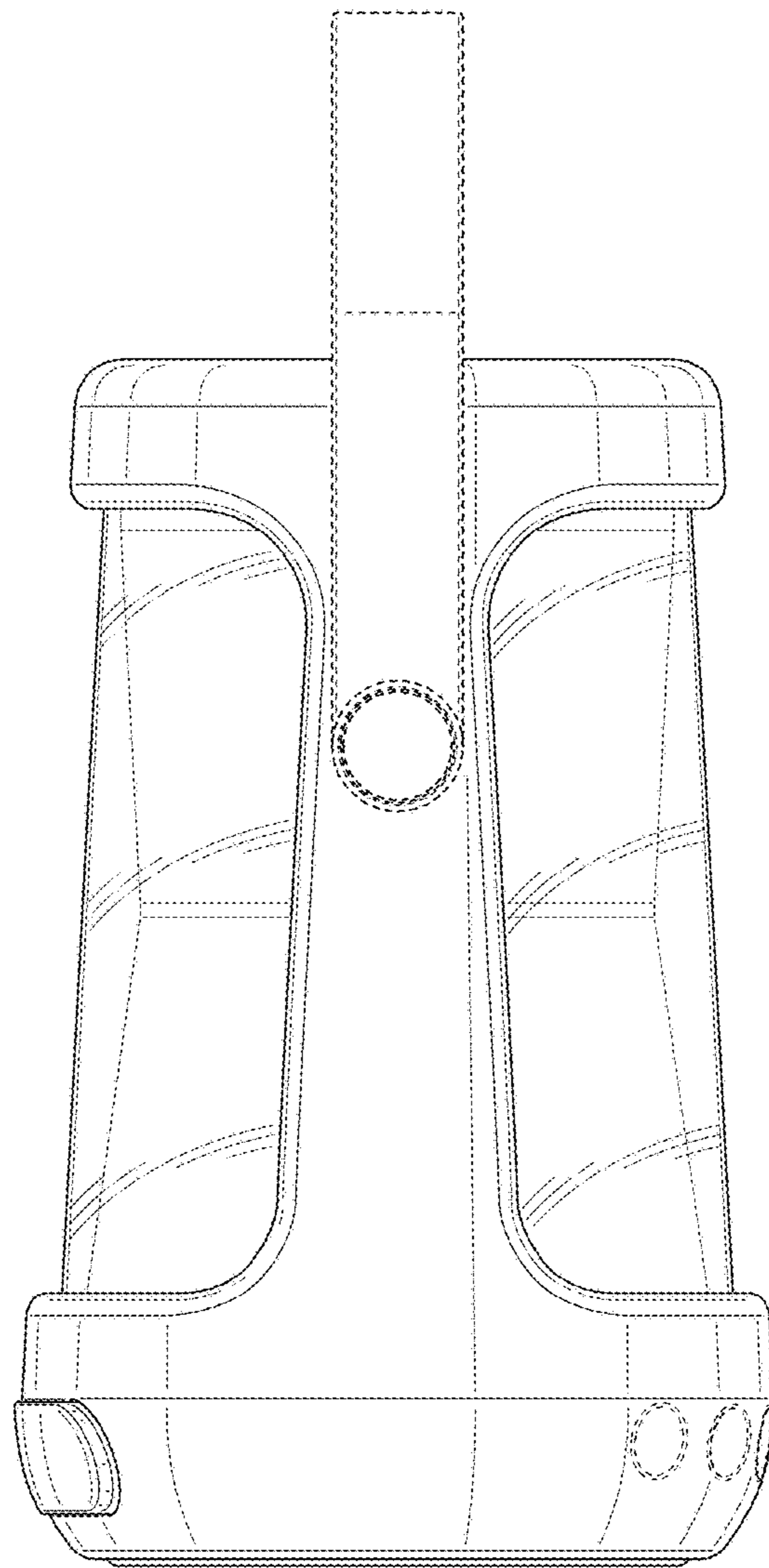


FIG. 4

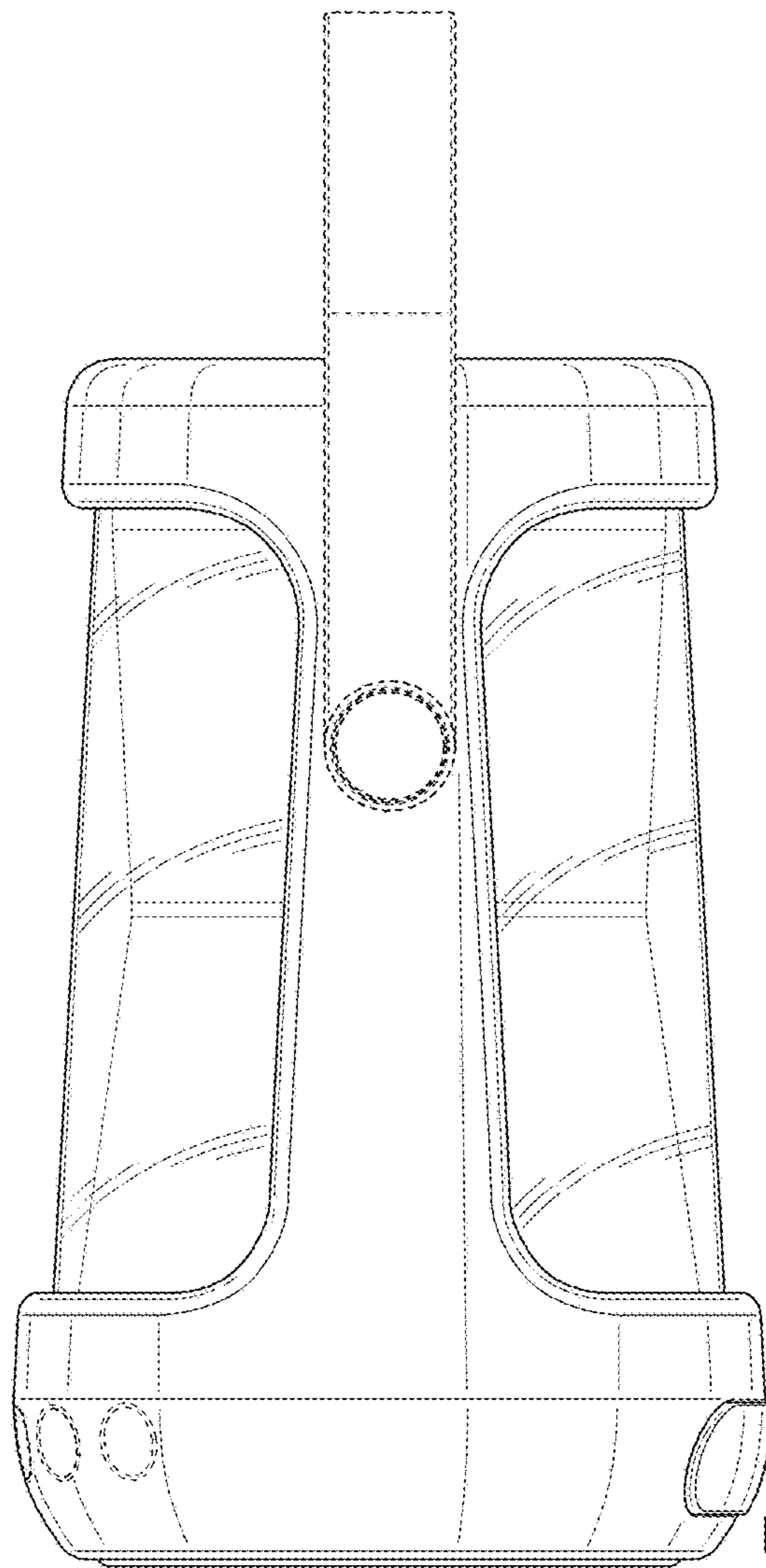


FIG. 5

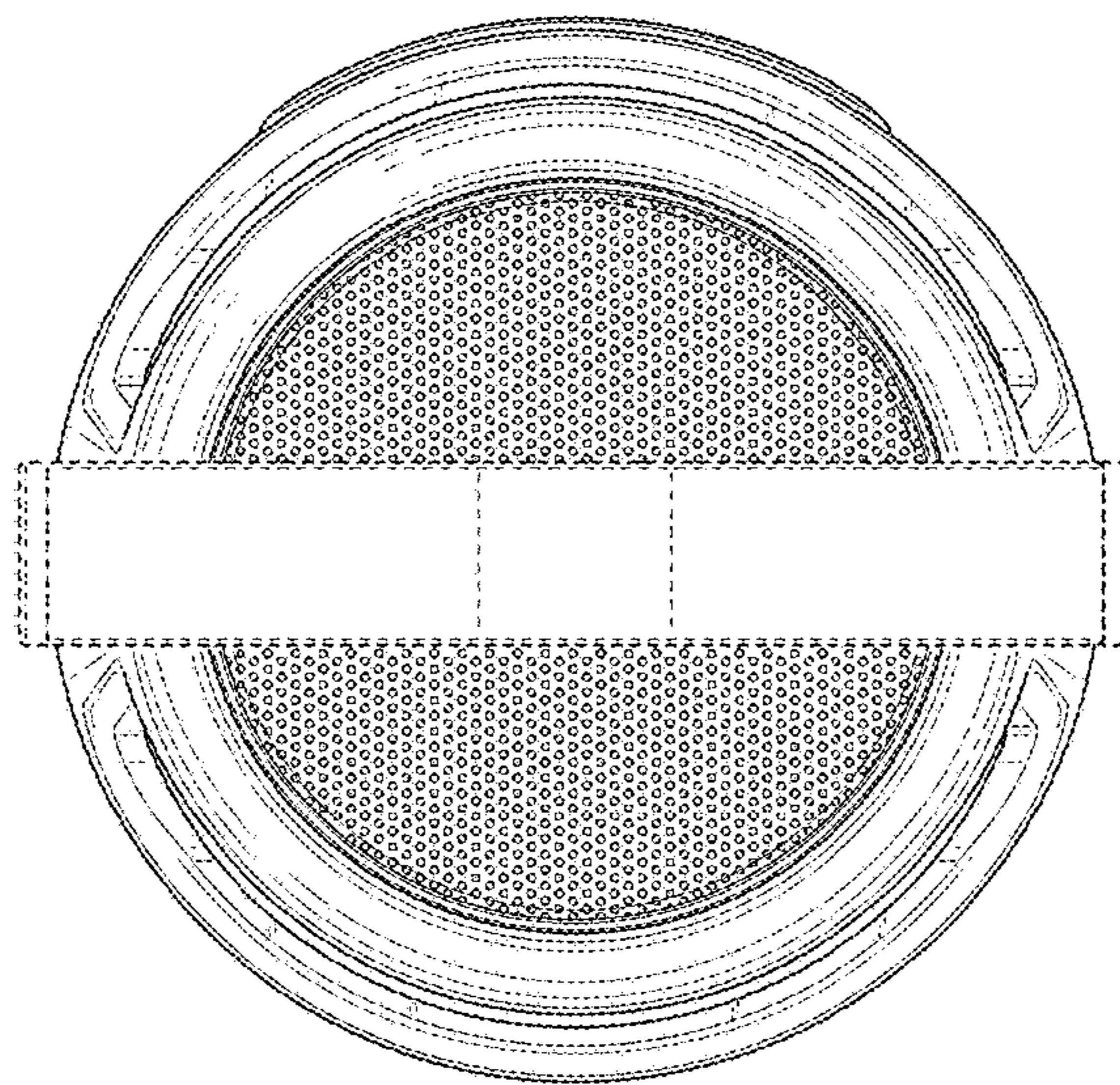


FIG. 6

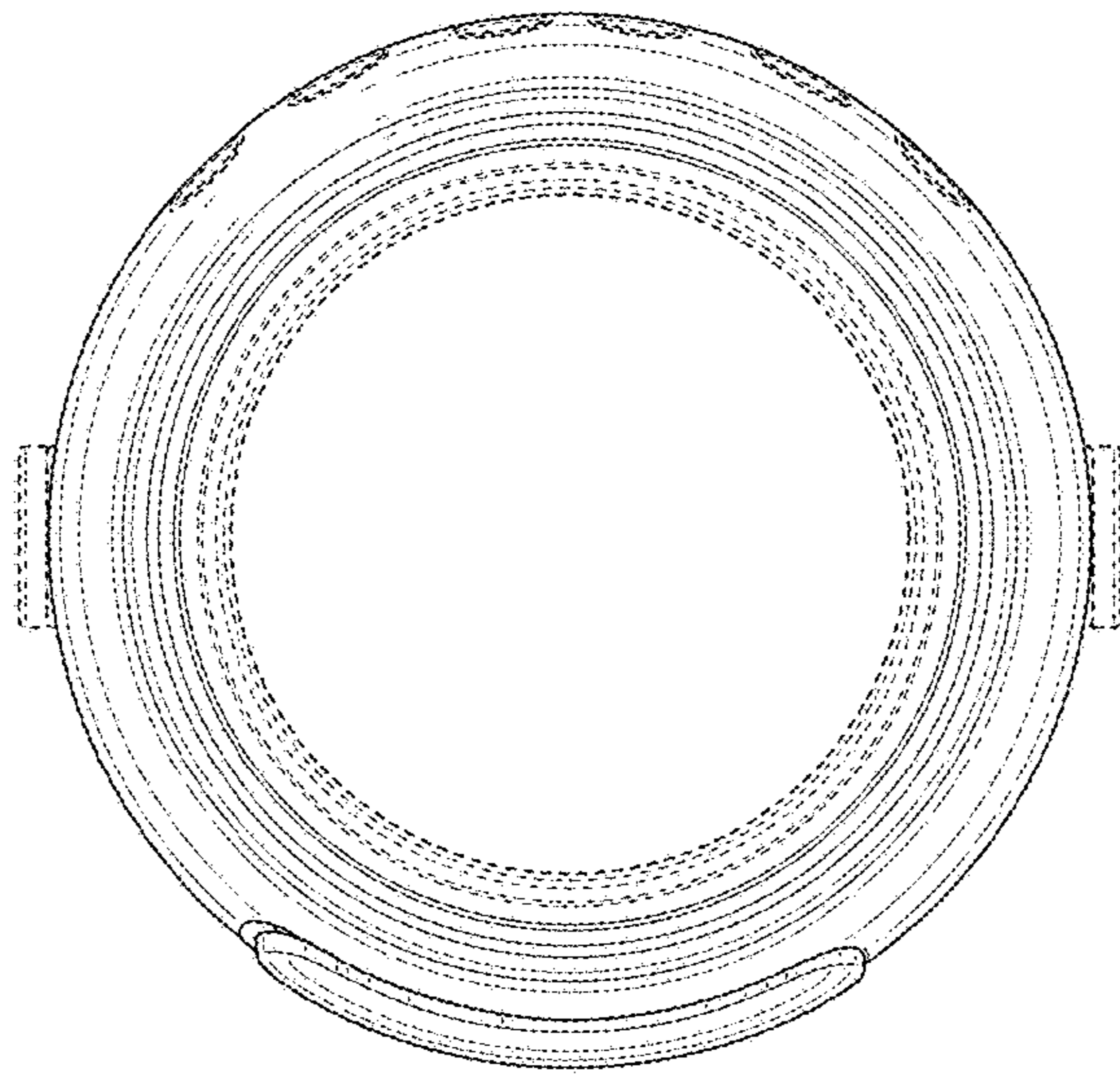


FIG. 7