

US00D844873S

(12) **United States Design Patent**
Koshiba

(10) **Patent No.:** **US D844,873 S**

(45) **Date of Patent:** **** Apr. 2, 2019**

(54) **WORK LIGHT**

(71) Applicant: **GENTOS CO., LTD.**, Tokyo (JP)

(72) Inventor: **Keita Koshiba**, Tokyo (JP)

(**) Term: **15 Years**

(21) Appl. No.: **29/619,413**

(22) Filed: **Sep. 28, 2017**

(30) **Foreign Application Priority Data**

Mar. 30, 2017 (JP) 2017-006665

(51) **LOC (11) Cl.** **26-02**

(52) **U.S. Cl.**
USPC **D26/46; D26/44**

(58) **Field of Classification Search**
USPC D26/37-51
CPC F21L 2003/00; F21L 4/00; F21L 4/005;
F21L 4/02; F21L 4/025; F21L 4/027;
F21L 4/04; F21L 4/08; F21L 2005/00;
F21L 7/00; F21L 11/00; F21L 13/00;
F21L 13/04; F21L 13/08; F21L 14/02;
F21L 17/00; F21L 19/00; F21L 25/00
See application file for complete search history.

(56) **References Cited**

U.S. PATENT DOCUMENTS

D311,067 S *	10/1990	Chabria	D26/46
D485,364 S *	1/2004	Lee	D24/217
D509,010 S *	8/2005	Kovacik	D26/44
D520,164 S *	5/2006	Brass	D26/44
D528,240 S *	9/2006	Kovacik	D26/42
D604,435 S *	11/2009	Kingston	D26/37
D648,054 S *	11/2011	Zhuang	D26/37
D677,412 S *	3/2013	Smith	D26/37

D684,283 S *	6/2013	Zhou	D26/49
D698,056 S *	1/2014	Forbes	D26/42
D698,959 S *	2/2014	Shen	D26/46
D743,594 S *	11/2015	Scazziga	D26/37
D757,971 S *	5/2016	Kovacik	D26/37
D764,087 S *	8/2016	Workman	D26/37
D772,459 S *	11/2016	Koshiba	D26/63
D779,092 S *	2/2017	Xu	D26/37
D791,379 S *	7/2017	Koshiba	D26/37
D794,236 S *	8/2017	Kovacik	D26/42
D806,923 S *	1/2018	Koshiba	D26/42
D816,876 S *	5/2018	Bao	D26/37
D818,166 S *	5/2018	Bao	D26/44

* cited by examiner

Primary Examiner — Lakiya G Rogers

Assistant Examiner — Carissa C Fitts

(74) *Attorney, Agent, or Firm* — Im IP Law; C. Andrew Im; Chai Im

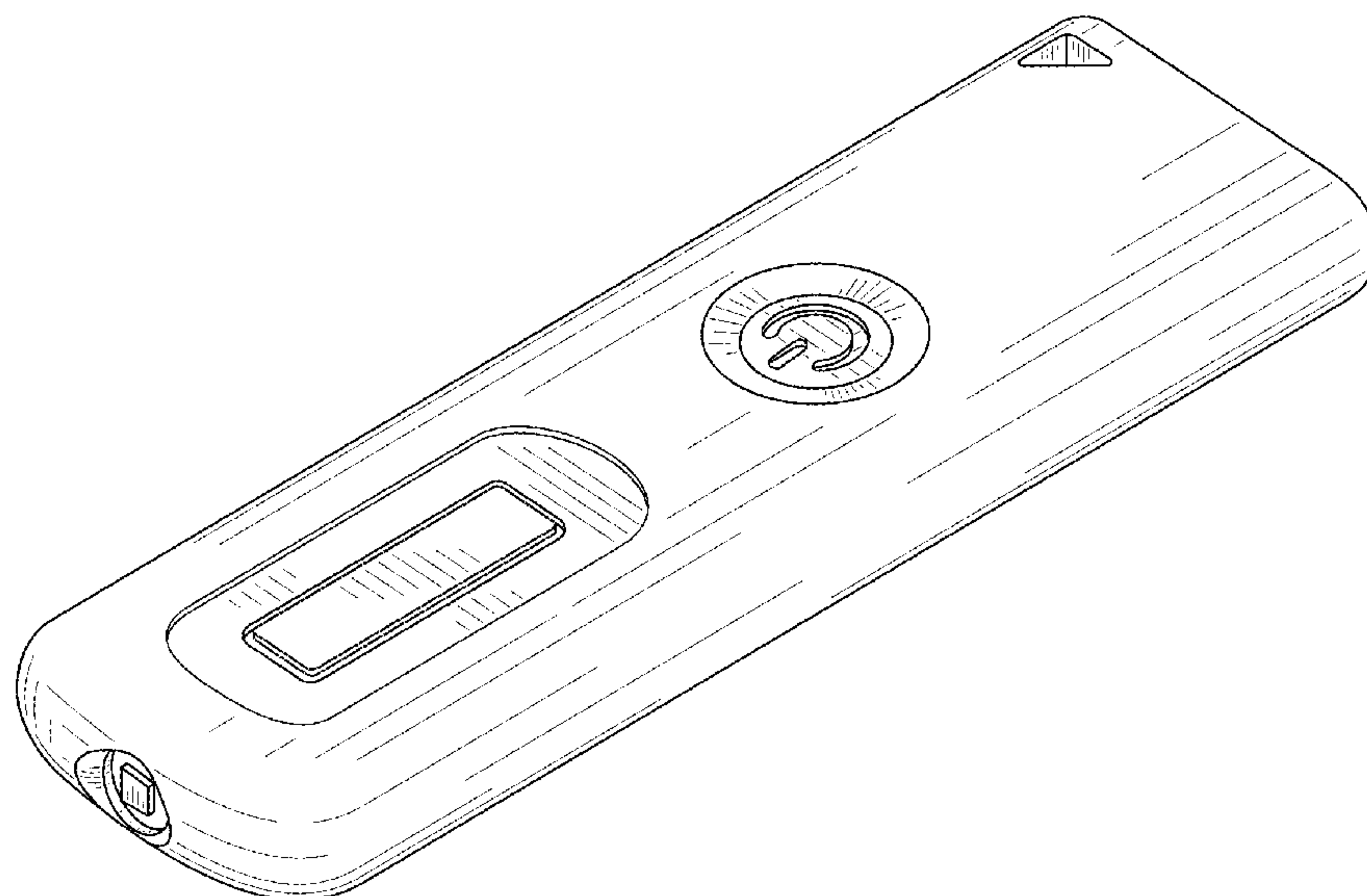
(57) **CLAIM**

The ornamental design for a work light, as shown and described.

DESCRIPTION

FIG. 1 is a front view of a work light showing my new design;
FIG. 2 is a rear view of the work light thereof;
FIG. 3 is a left side view of the work light thereof;
FIG. 4 is a right side view of the work light thereof;
FIG. 5 is a top view of the work light thereof;
FIG. 6 is a bottom view of the work light thereof;
FIG. 7 is a front perspective view of the work light thereof;
and,
FIG. 8 is a rear perspective view of the work light thereof.
The broken lines show unclaimed portions of the article and form no part of the claimed design.

1 Claim, 8 Drawing Sheets



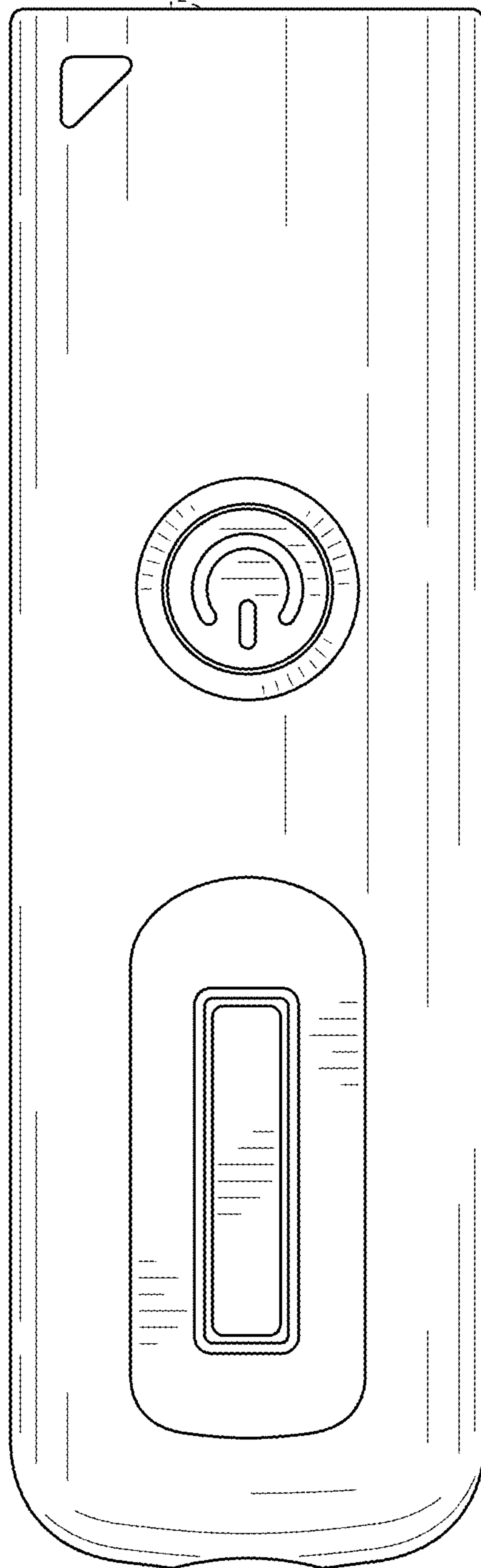


FIG. 1

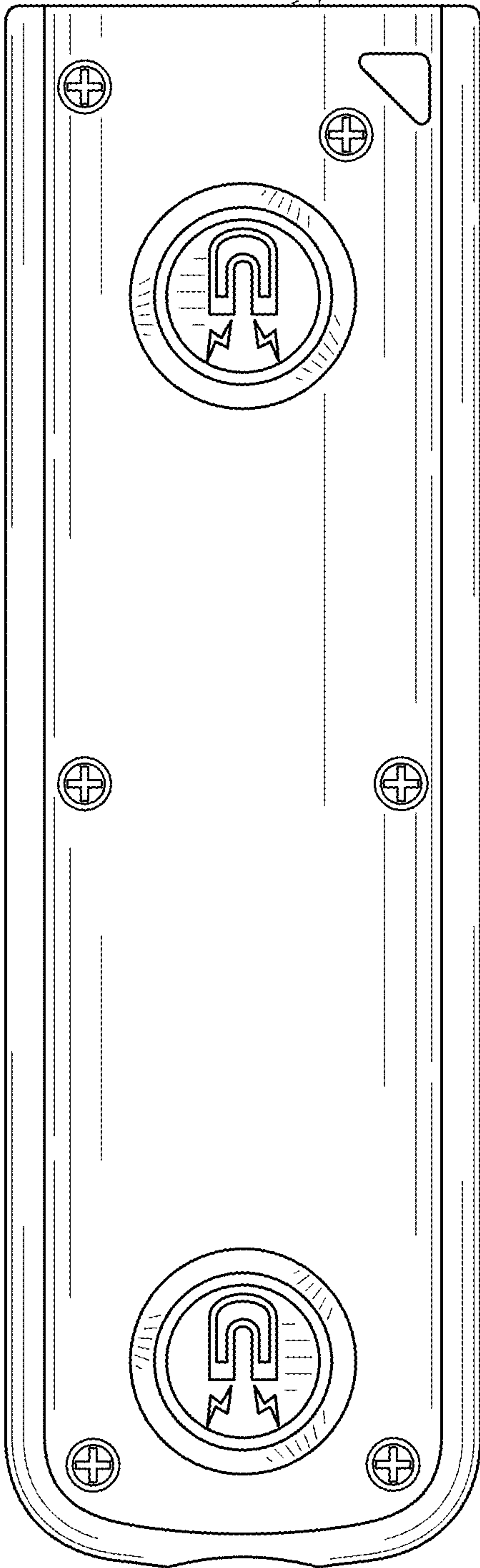


FIG. 2

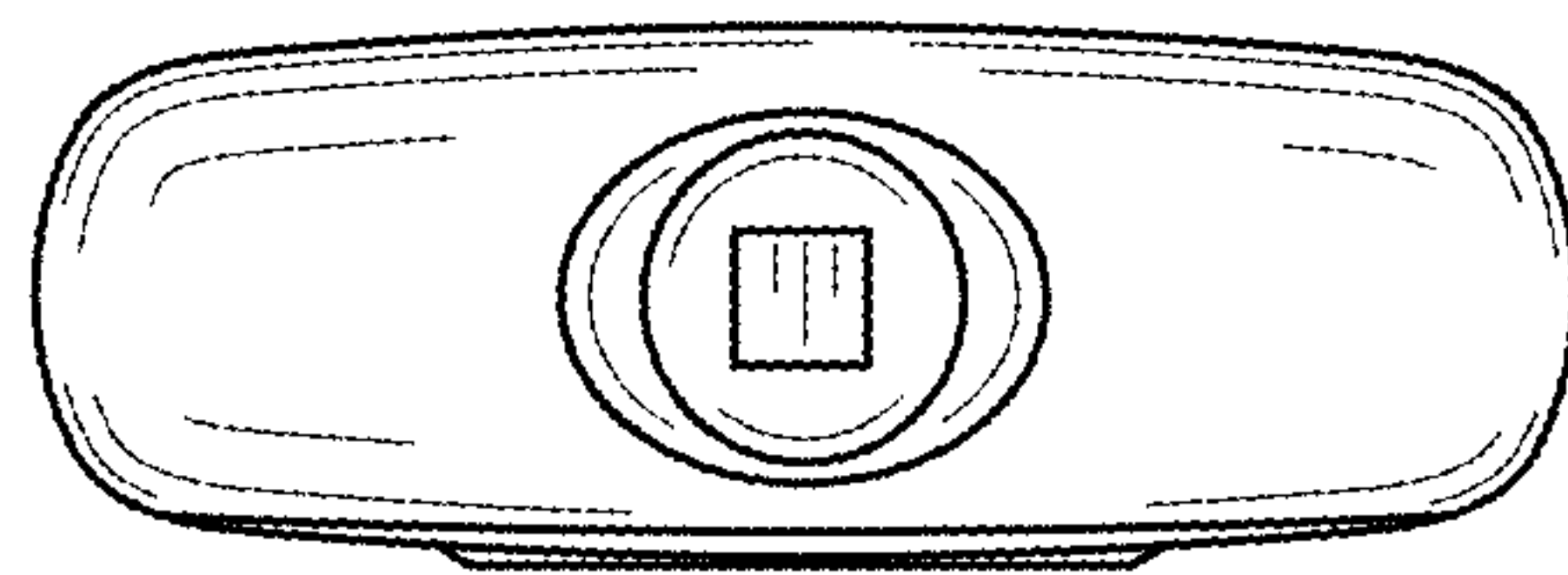


FIG. 3

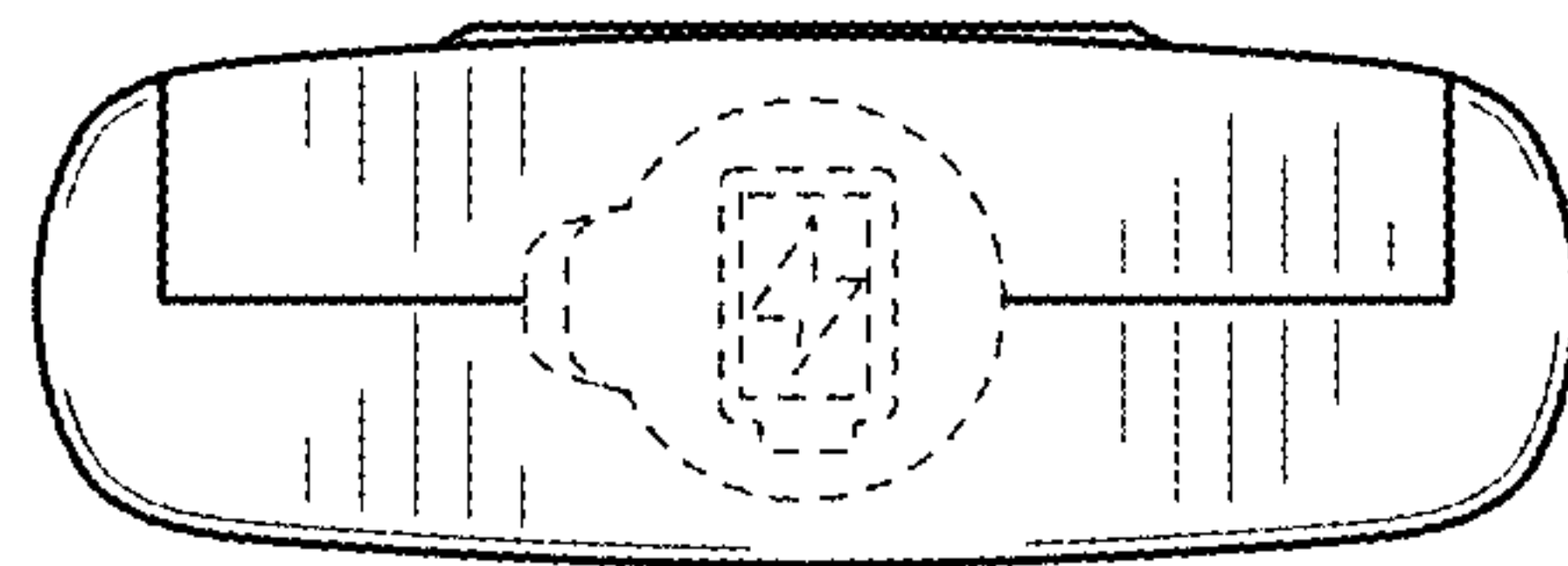


FIG. 4

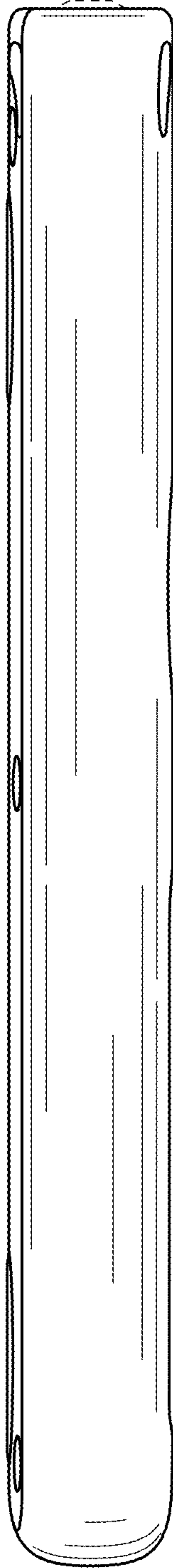


FIG. 5

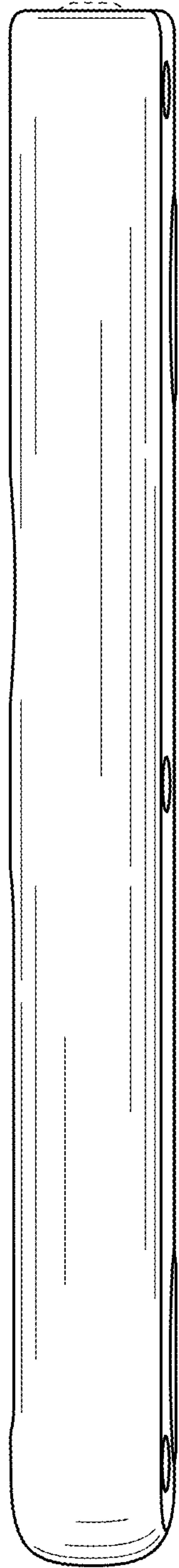


FIG. 6

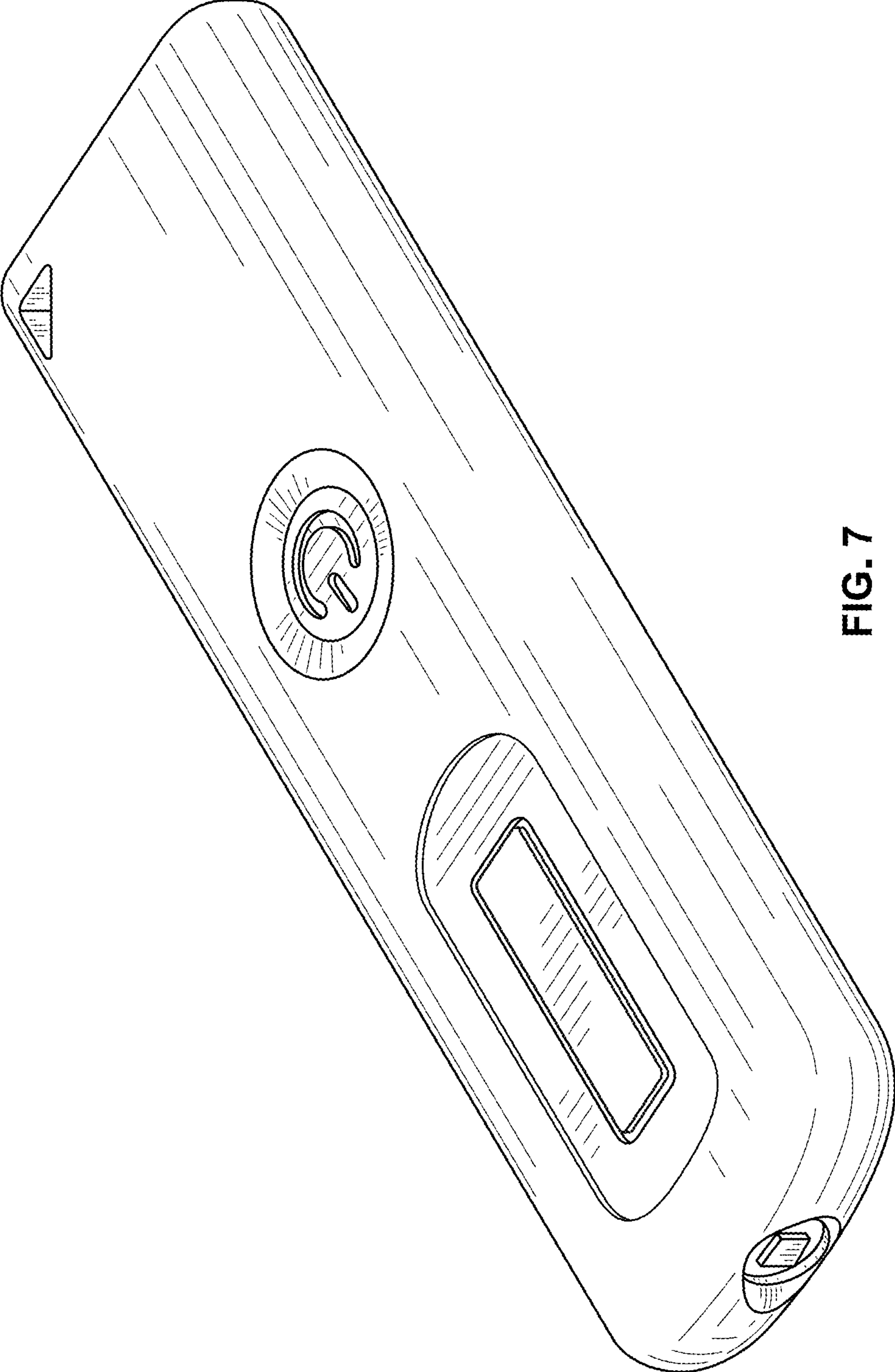


FIG. 7

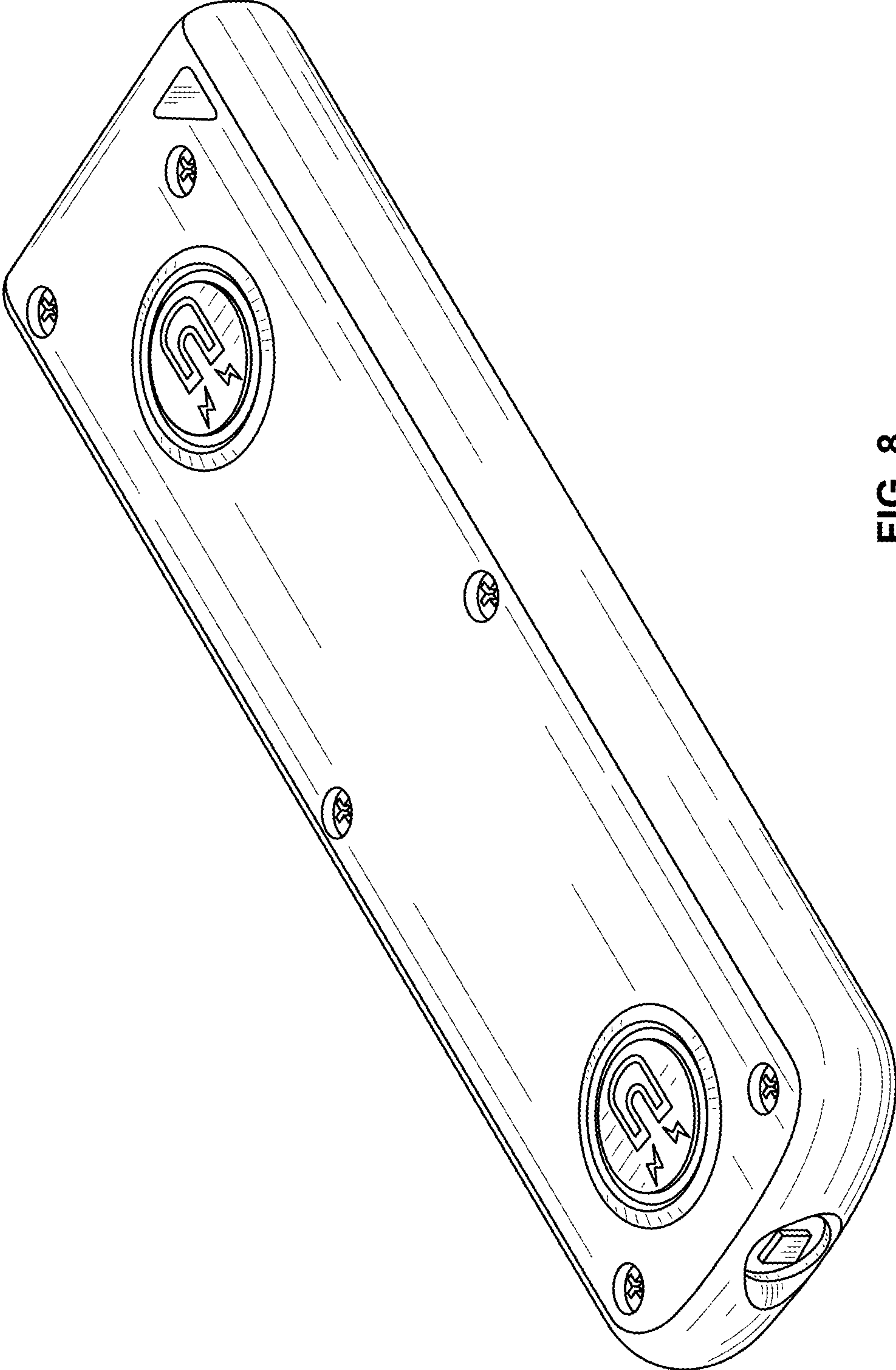


FIG. 8