



US00D844872S

(12) **United States Design Patent** (10) **Patent No.:** **US D844,872 S**
Krantz et al. (45) **Date of Patent:** **** Apr. 2, 2019**

- (54) **LIGHTING DEVICE**
- (71) Applicant: **Goal Zero LLC**, Bluffdale, UT (US)
- (72) Inventors: **Norman L. Krantz**, Draper, UT (US);
Henry J. Howell, Herriman, UT (US)
- (73) Assignee: **GOAL ZERO LLC**, Bluffdale, UT (US)
- (**) Term: **15 Years**
- (21) Appl. No.: **29/550,545**
- (22) Filed: **Jan. 5, 2016**
- (51) **LOC (11) Cl.** **26-02**
- (52) **U.S. Cl.**
USPC **D26/40**
- (58) **Field of Classification Search**
USPC D26/37, 40, 41, 38, 51
CPC F21L 2003/00; F21L 4/00; F21L 4/005;
F21L 4/02; F21L 4/025; F21L 4/027;
F21L 4/04; F21L 4/08; F21L 2005/00;
F21L 7/00; F21L 11/00; F21L 13/00;
F21L 13/04; F21L 13/08; F21L 14/02;
F21L 17/00; F21L 19/00
See application file for complete search history.

D747,523	S	*	1/2016	Salmon	D26/40
D754,379	S	*	4/2016	Green	D26/113
D790,098	S	*	6/2017	Esarey	D26/40
D794,235	S	*	8/2017	Green	D26/40
2016/0013675	A1		1/2016	Workman et al.		

OTHER PUBLICATIONS

U.S. Appl. No. 14/447,361, filed Jul. 30, 2014, Workman et al.
U.S. Appl. No. 14/806,456, filed Jul. 22, 2015, Workman et al.
(Continued)

Primary Examiner — Lakiya G Rogers
Assistant Examiner — Carissa C Fitts
(74) *Attorney, Agent, or Firm* — Foley & Lardner LLP

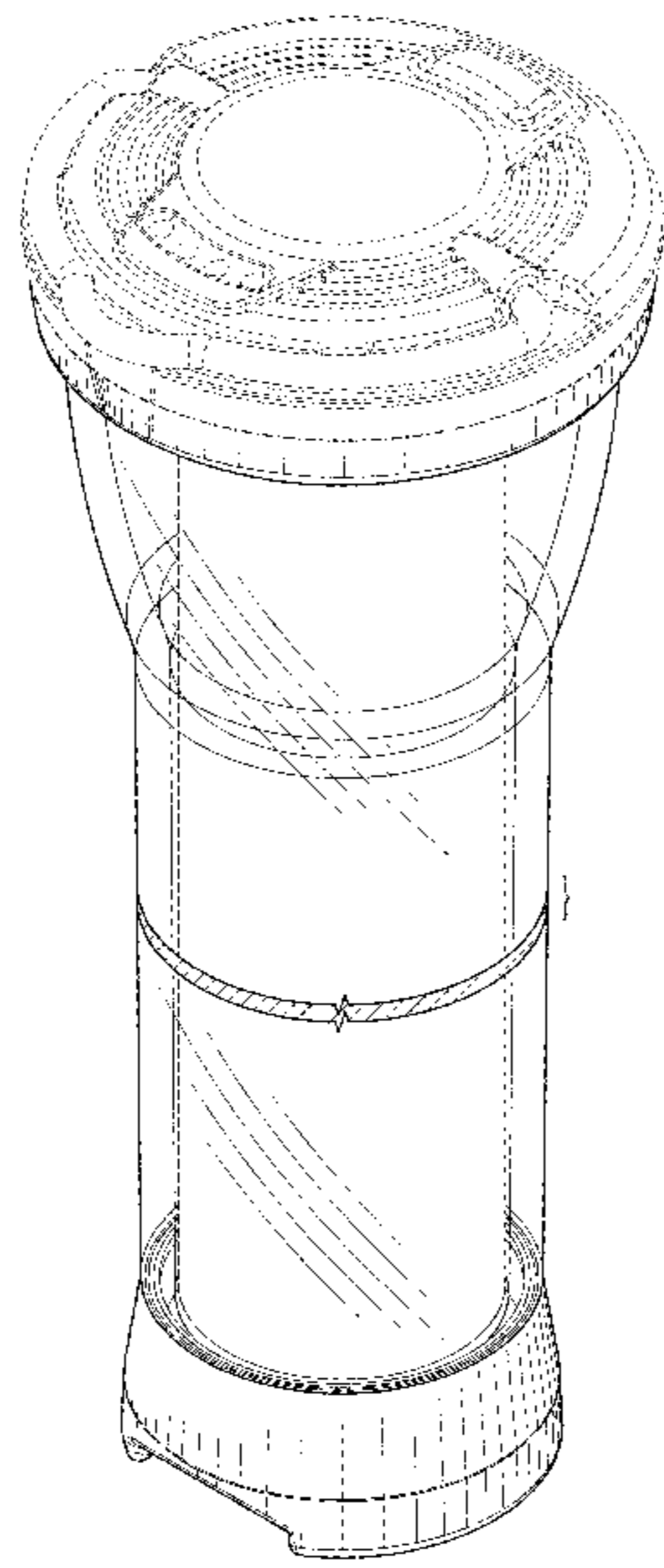
(57) **CLAIM**
We claim the ornamental design for a lighting device, as shown and described.

DESCRIPTION

FIG. 1 is a front perspective view of the claimed design; FIG. 2 is a front view of the claimed design; FIG. 3 is a rear view of the claimed design; FIG. 4 is a right side view of the claimed design; FIG. 5 is a left side view of the claimed design; FIG. 6 is a top view of the claimed design; and, FIG. 7 is a bottom view of the claimed design. The ornamental design which is claimed is shown in solid lines in the figures. The broken lines formed by equal length dashes show unclaimed portions of the lighting device. The dash-dot broken lines show boundaries between claimed and unclaimed portions of the design. The broken lines form no part of the claimed design. The lighting device is shown with symbolic breaks in its height, represented by jagged lines. Lines having a jagged element show that no particular length of the portion is claimed. The appearance of any portion of the lighting device between the jagged lines forms no part of the claimed design.

- (56) **References Cited**
U.S. PATENT DOCUMENTS
D608,920 S * 1/2010 Loibl D26/40
D611,630 S * 3/2010 Chan D26/40
D646,412 S * 10/2011 Taiga D26/41
8,434,894 B2 5/2013 Workman et al.
D725,300 S * 3/2015 Dalton D26/40
D726,357 S * 4/2015 Walczak D26/40
D726,358 S * 4/2015 Young D26/40
D738,553 S * 9/2015 Fletcher D26/41
9,182,088 B2 11/2015 Workman et al.
D747,022 S * 1/2016 Leung D26/40

1 Claim, 6 Drawing Sheets



(56)

References Cited

OTHER PUBLICATIONS

U.S. Appl. No. 14/987,332, filed Jan. 5, 2016, Workman et al.
U.S. Appl. No. 9/458,766, filed Jun. 21, 2013, Workman et al.
U.S. Appl. No. 29/461,448, filed Jul. 23, 2013, Workman et al.
U.S. Appl. No. 29/513,752, filed Jan. 5, 2015, Krantz et al.
U.S. Appl. No. 29/513,754, filed Jan. 5, 2015, Krantz et al.
U.S. Appl. No. 29/535,212, filed Aug. 4, 2015, Krantz et al.
U.S. Appl. No. 29/535,213, filed Aug. 4, 2015, Krantz et al.
U.S. Appl. No. 61/261,656, filed Nov. 16, 2009, Workman et al.
U.S. Appl. No. 61/817,677, filed Apr. 30, 2013, Workman et al.
U.S. Appl. No. 62/022,631, filed Jul. 9, 2014, Workman et al.
U.S. Appl. No. 62/099,905, filed Jan. 5, 2015, Workman et al.

* cited by examiner

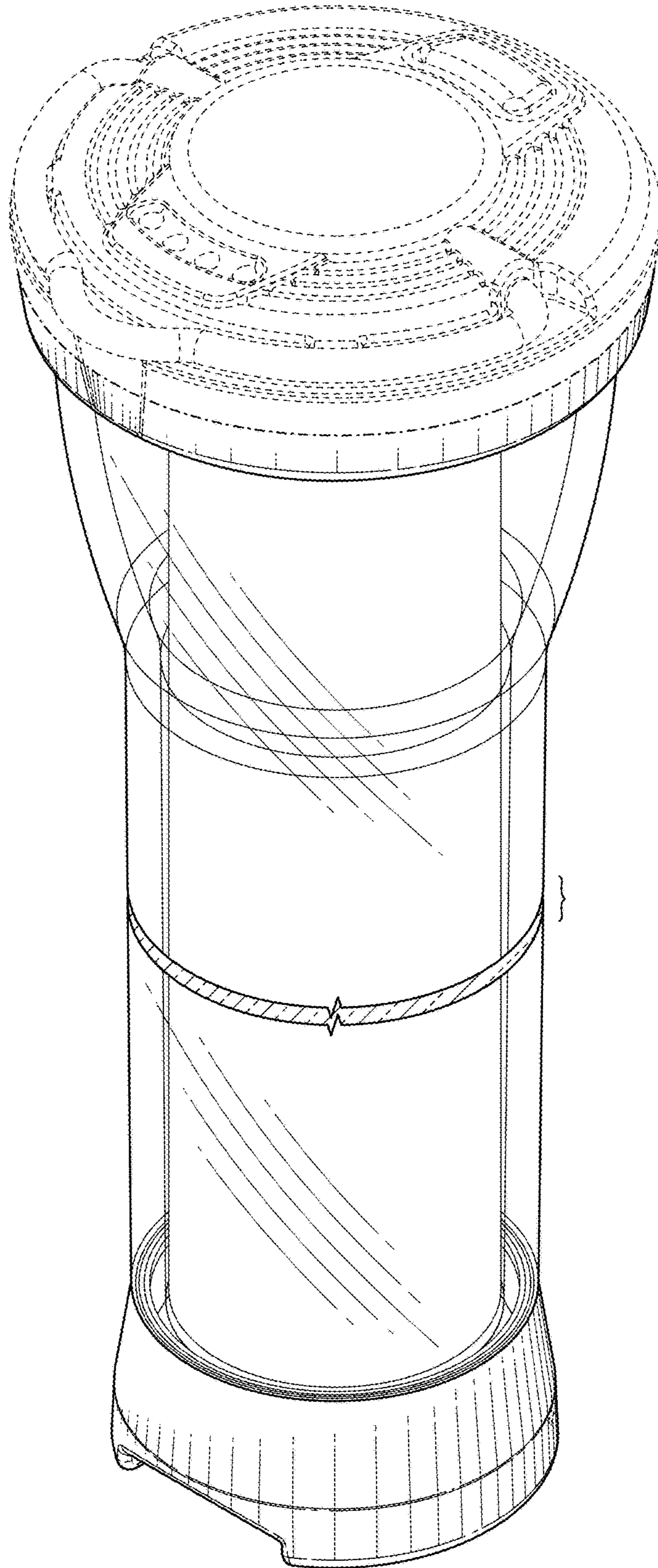


FIG. 1

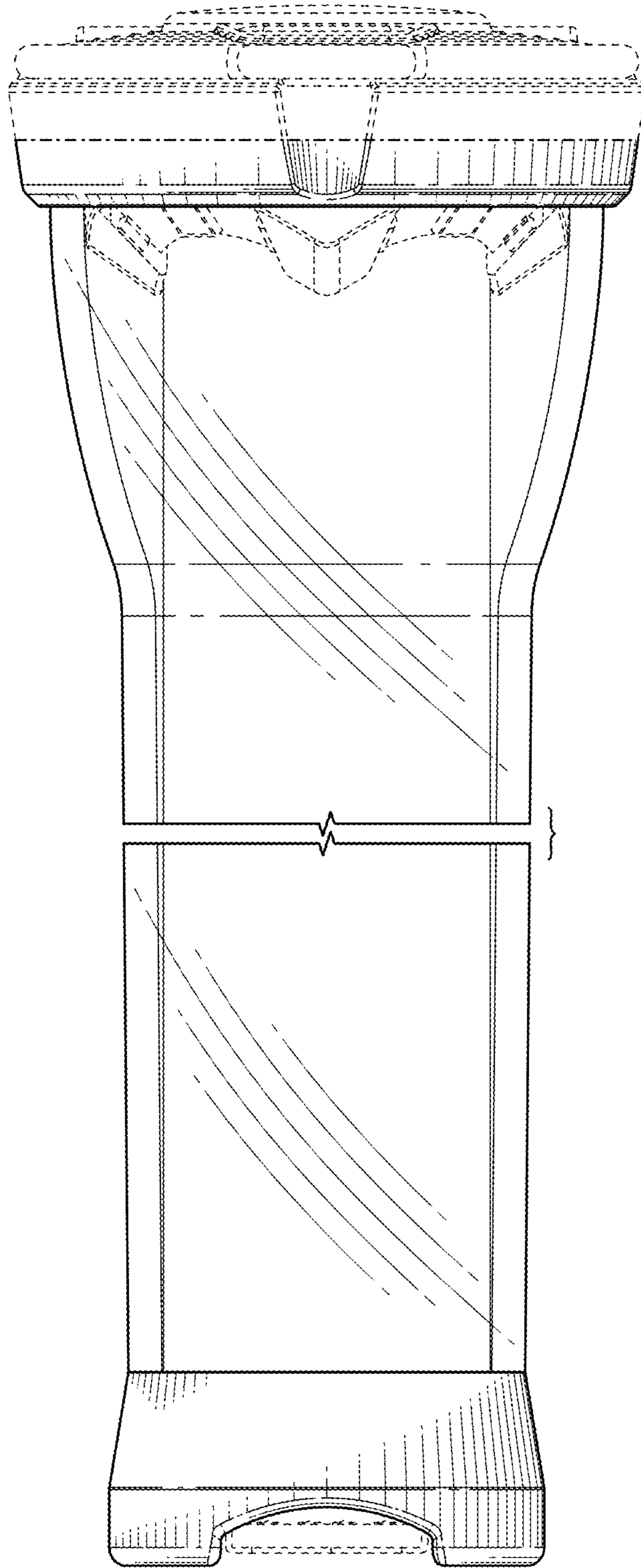


FIG. 2

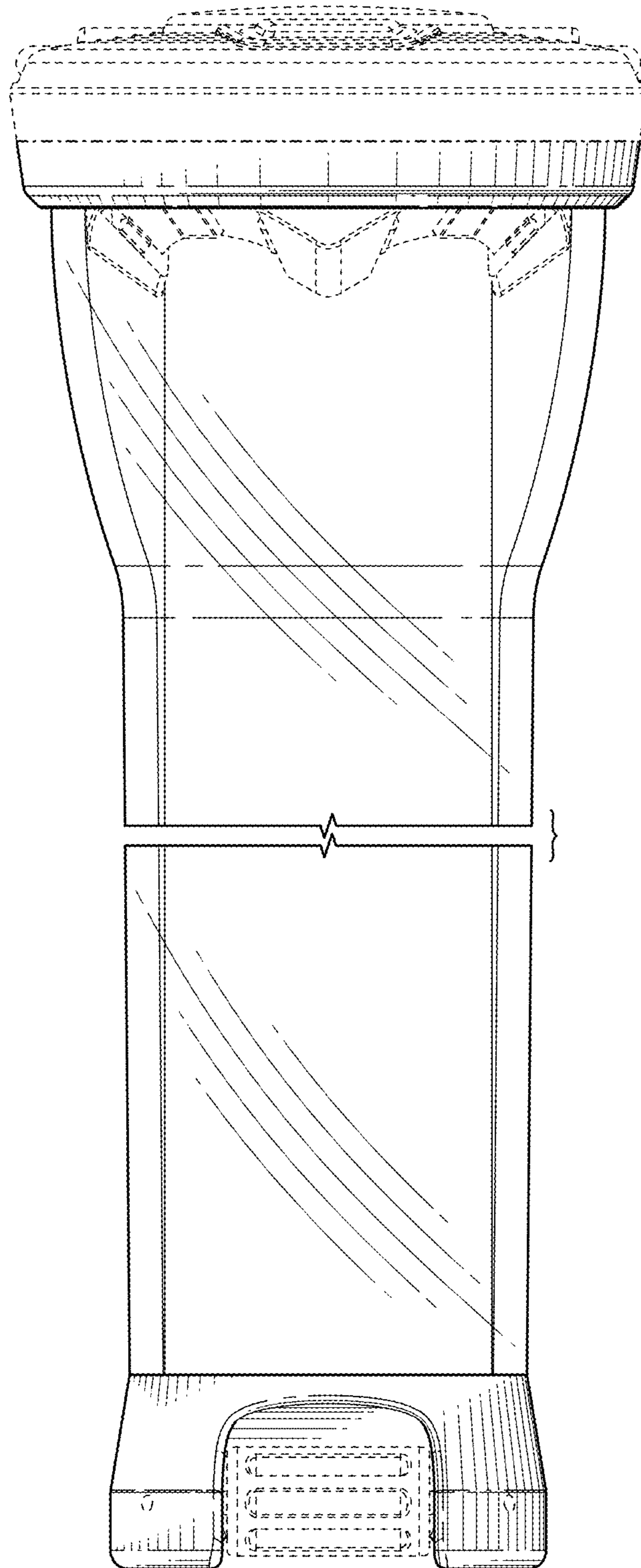


FIG. 3

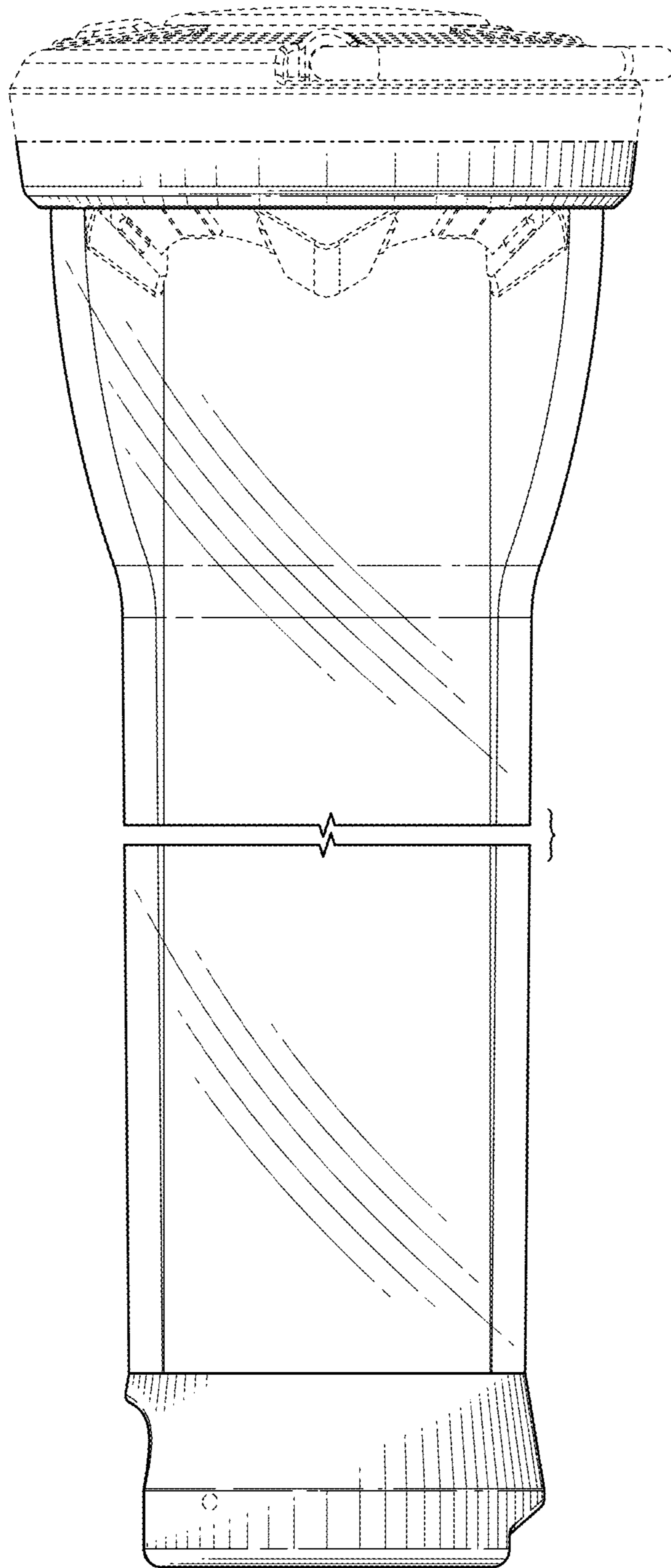


FIG. 4

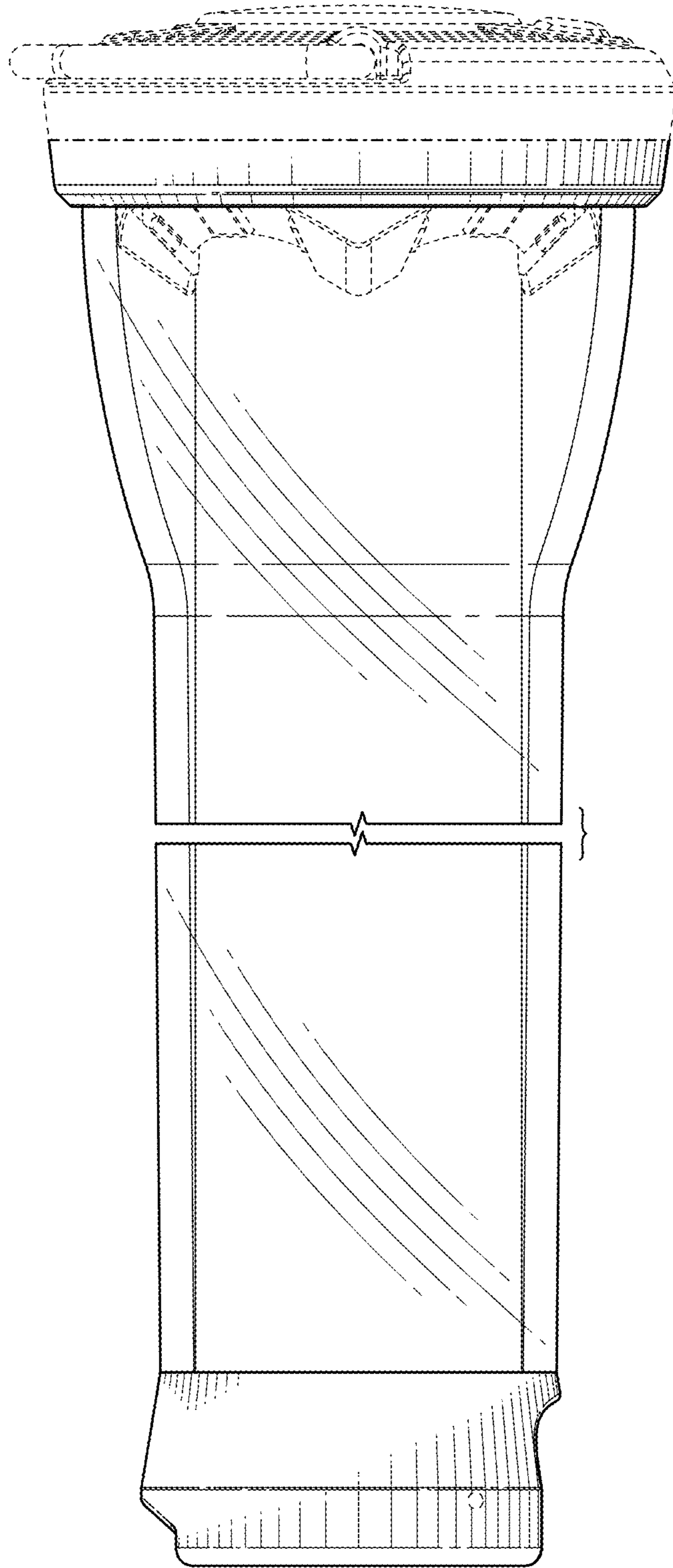


FIG. 5

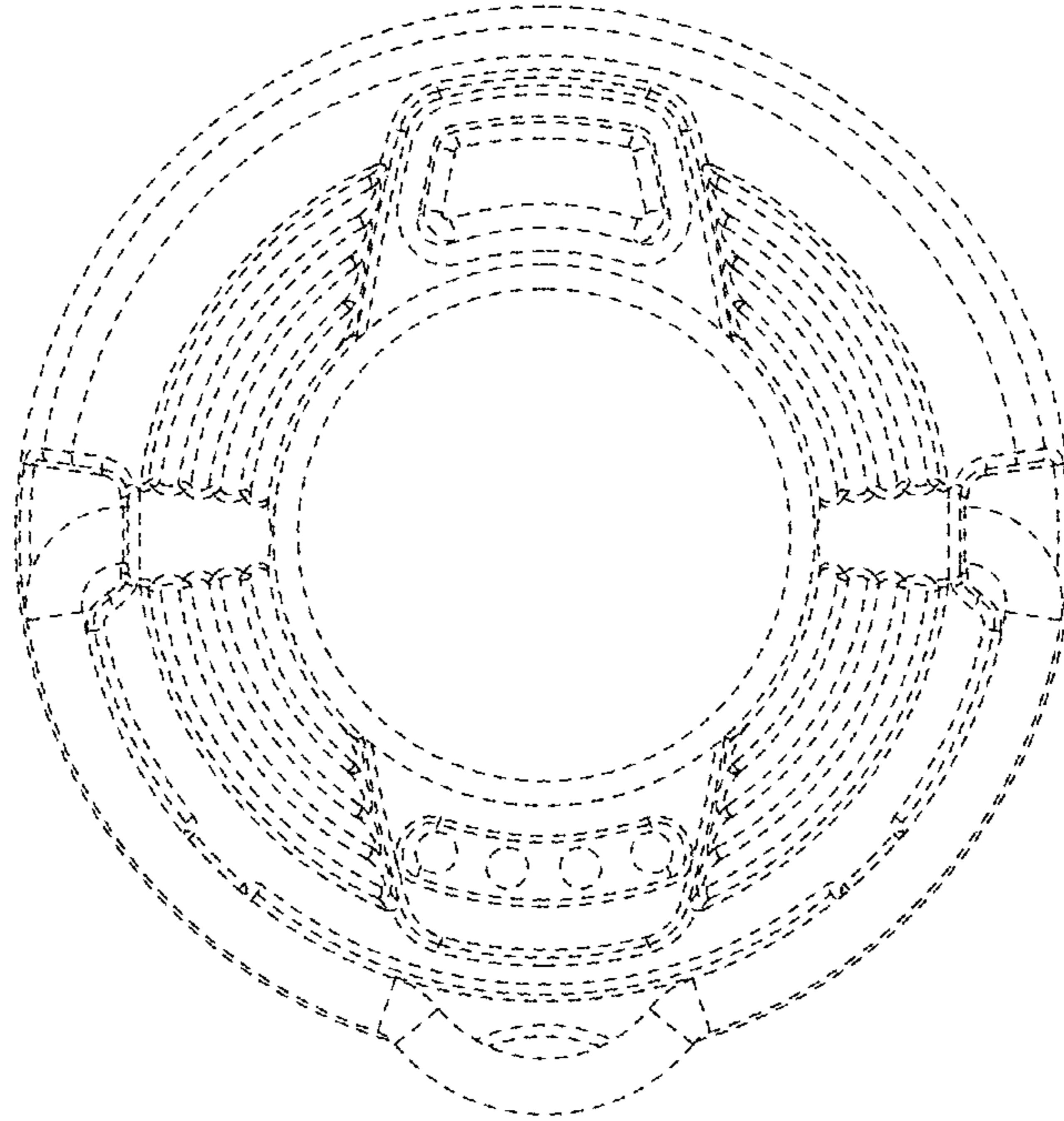


FIG. 6

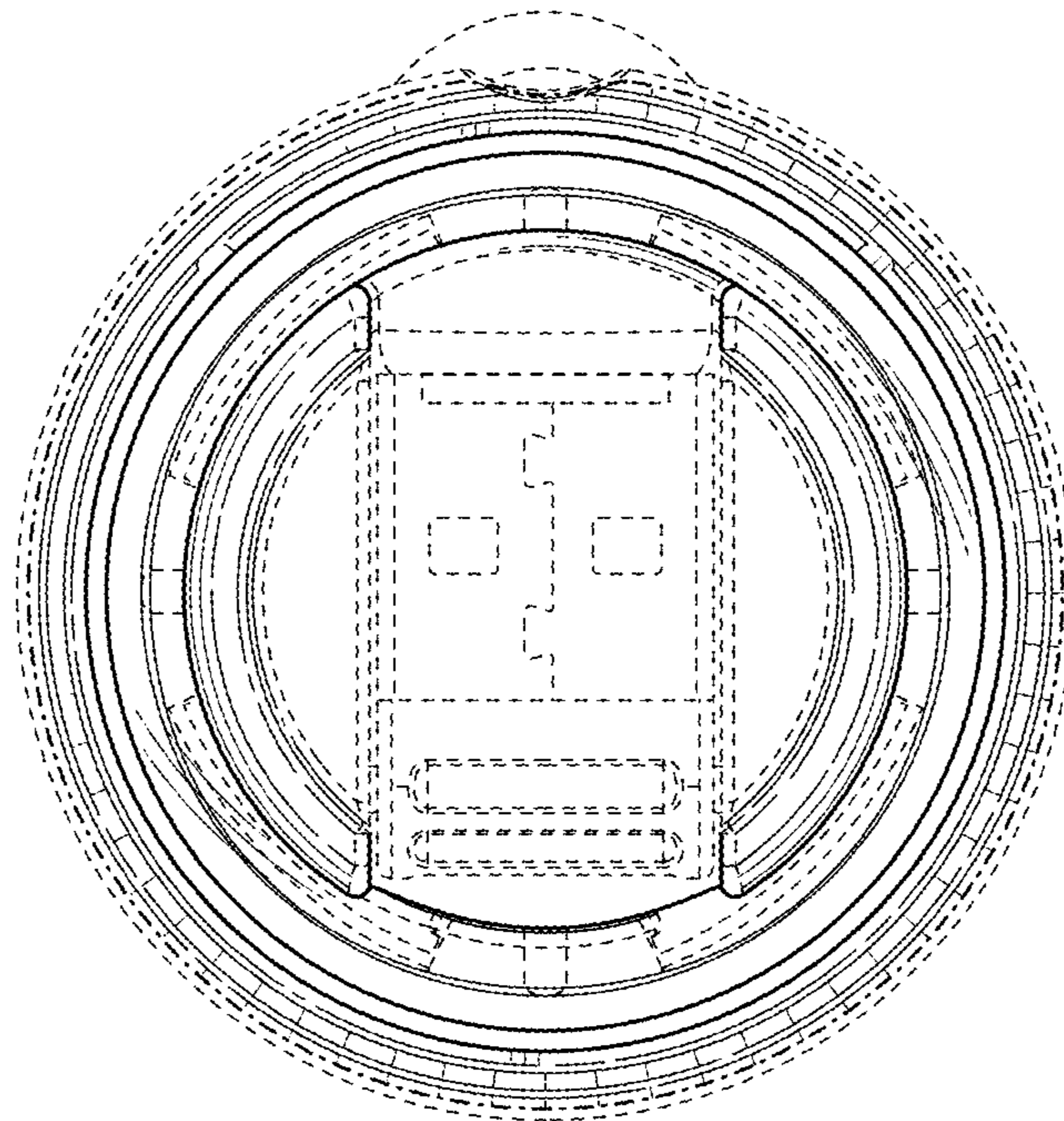


FIG. 7