



US00D844870S

(12) **United States Design Patent** (10) **Patent No.:** **US D844,870 S**
Dorman (45) **Date of Patent:** **** Apr. 2, 2019**

(54) **LANTERN**
(71) Applicant: **Milwaukee Electric Tool Corporation,**
Brookfield, WI (US)
(72) Inventor: **Justin D. Dorman,** Wauwatosa, WI
(US)
(73) Assignee: **MILWAUKEE ELECTRIC TOOL**
CORPORATION, Brookfield, WI (US)
(**) Term: **15 Years**

D441,888 S 5/2001 Haneda et al.
D492,806 S * 7/2004 Hsu D26/40
6,877,876 B1 4/2005 Steinhilber
D515,721 S * 2/2006 Lin D26/44
D523,577 S * 6/2006 Bayat D26/42
D526,077 S * 8/2006 Leen D26/42
D535,419 S 1/2007 Shiu
D537,968 S 3/2007 Shui
D538,457 S * 3/2007 Kovacik D26/42
D546,488 S 7/2007 Poon
7,311,423 B2 12/2007 Frecska et al.
D559,418 S 1/2008 Poon
D610,283 S 2/2010 Loibl

(Continued)

(21) Appl. No.: **29/536,723**
(22) Filed: **Aug. 19, 2015**

Related U.S. Application Data

(62) Division of application No. 29/483,235, filed on Feb.
26, 2014, now Pat. No. Des. 742,052.
(51) **LOC (11) Cl.** **26-02**
(52) **U.S. Cl.**
USPC **D26/40**
(58) **Field of Classification Search**
USPC D26/37, 38, 40, 42, 44, 46, 51, 41
CPC F21L 2003/00; F21L 4/00; F21L 4/005;
F21L 4/02; F21L 4/025; F21L 4/027;
F21L 4/04; F21L 4/08; F21L 2005/00;
F21L 7/00; F21L 11/00; F21L 13/00;
F21L 13/04; F21L 13/08; F21L 14/02;
F21L 17/00
See application file for complete search history.

(56) **References Cited**

U.S. PATENT DOCUMENTS

4,483,683 A 11/1984 Alley, Sr.
D367,123 S * 2/1996 Blye D26/40
5,688,042 A 11/1997 Madali et al.
D407,171 S * 3/1999 Yuen D26/41
D439,354 S * 3/2001 Yuen D26/42
D439,689 S * 3/2001 Yuen D26/42

OTHER PUBLICATIONS

Fox Fury Lighting Solutions, "Nomad 360 Portable Scene Light"
<http://www.foxfury.com/catalog/product_info.php?products_id=194> webpage available as early as Jul. 28, 2012.

Primary Examiner — Lakiya G Rogers

Assistant Examiner — Carissa C Fitts

(74) *Attorney, Agent, or Firm* — Michael Best &
Friedrich LLP

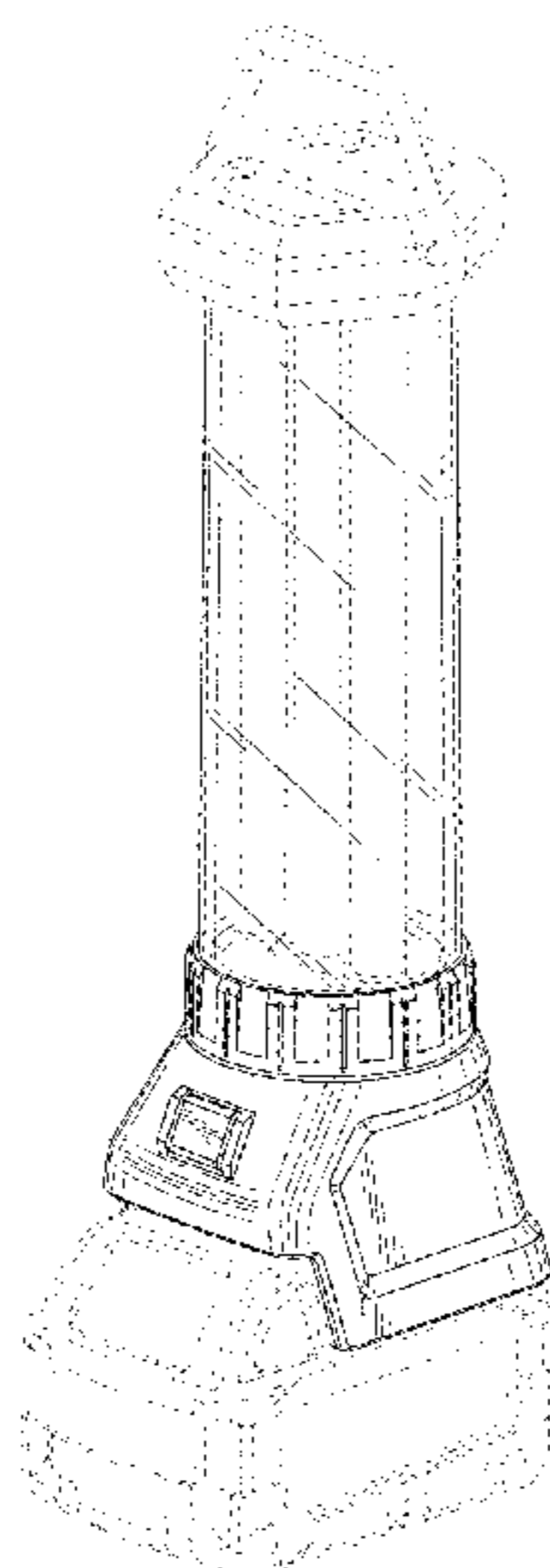
(57) **CLAIM**

I claim the ornamental design for a lantern, as shown and
described.

DESCRIPTION

FIG. 1 is a front perspective view of a lantern in accordance
with a second an embodiment of the present invention.
FIG. 2 is a left side view of the lantern of FIG. 1.
FIG. 3 is a right side view of the lantern of FIG. 1.
FIG. 4 is a front view of the lantern of FIG. 1.
FIG. 5 is a rear view of the lantern of FIG. 1.
FIG. 6 is a top view of the lantern of FIG. 1; and,
FIG. 7 is a bottom view of the lantern of FIG. 1.
The broken lines show features which form no part of the
claimed design.

1 Claim, 4 Drawing Sheets



(56)

References Cited

U.S. PATENT DOCUMENTS

7,699,491	B2	4/2010	Sharrah et al.	
7,717,586	B2	5/2010	Tucker	
D621,536	S	8/2010	Lee	
D622,430	S	8/2010	Chilton	
7,891,841	B2	2/2011	Levine	
7,967,466	B2	6/2011	Chu	
D643,560	S *	8/2011	Tompkin	D26/40
8,029,159	B2	10/2011	Chen	
8,075,163	B2	12/2011	Xiao et al.	
8,096,684	B2	1/2012	Salm et al.	
D655,431	S	3/2012	Leen	
D658,324	S	4/2012	Reinmann et al.	
D661,417	S *	6/2012	Kung	D26/42
8,201,974	B1	6/2012	Smith et al.	
8,337,059	B2	12/2012	Barnett et al.	
8,485,683	B2	7/2013	Popper et al.	
8,511,847	B2	8/2013	Sharrah et al.	
D694,445	S *	11/2013	Shiu	D26/40
8,641,241	B2	2/2014	Farmer	
8,674,266	B2	3/2014	Fis-Menache	
D707,378	S	6/2014	Shiu	
D708,376	S *	7/2014	Crowe	D26/37
8,791,640	B2	7/2014	Steele et al.	
D725,300	S	3/2015	Dalton	
D726,354	S	4/2015	Davies	
D737,488	S *	8/2015	Chen	D26/42
D742,052	S *	10/2015	Dorman	D26/40
D748,836	S *	2/2016	Zhang	D26/40
2012/0057333	A1	3/2012	Bhardwaj et al.	
2012/0079755	A1	4/2012	Torres et al.	
2014/0204218	A1	7/2014	Gebhard et al.	

* cited by examiner

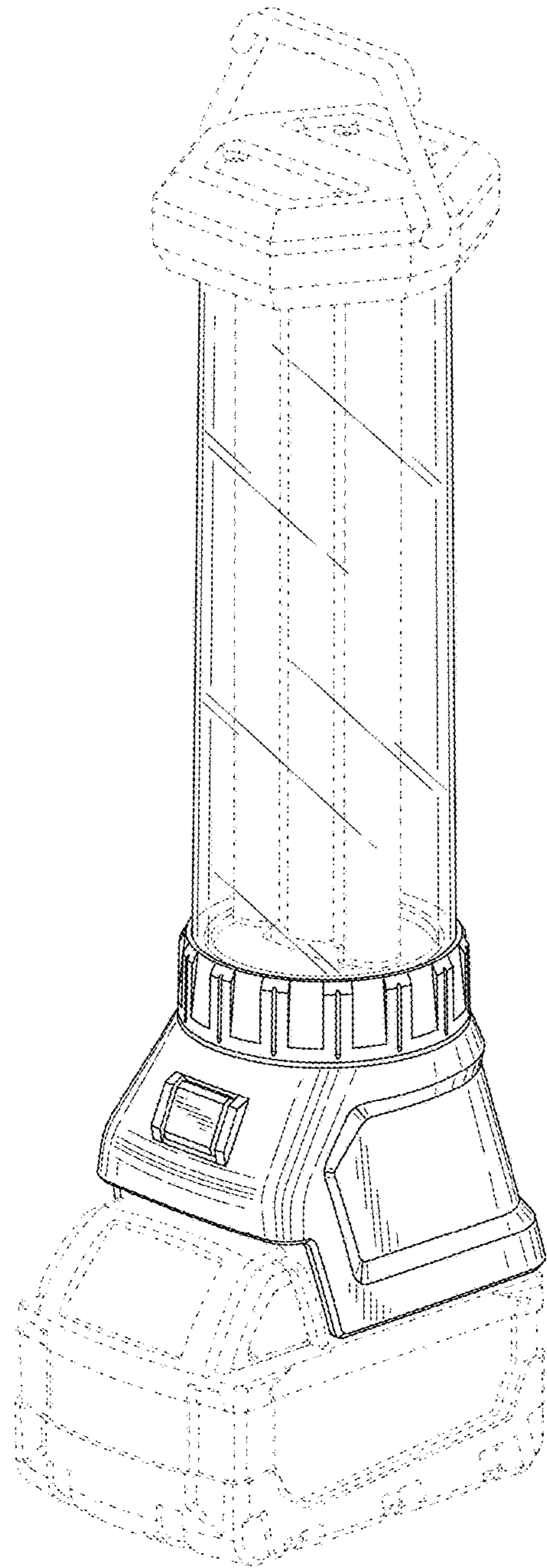


FIG. 1

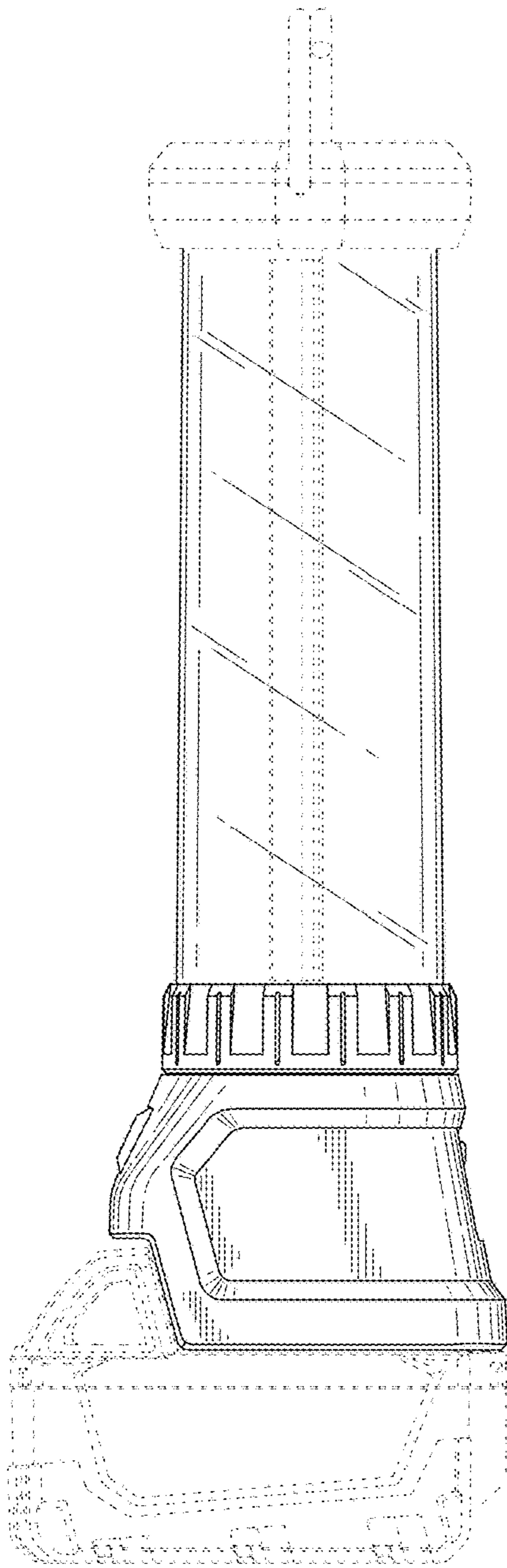


FIG. 2

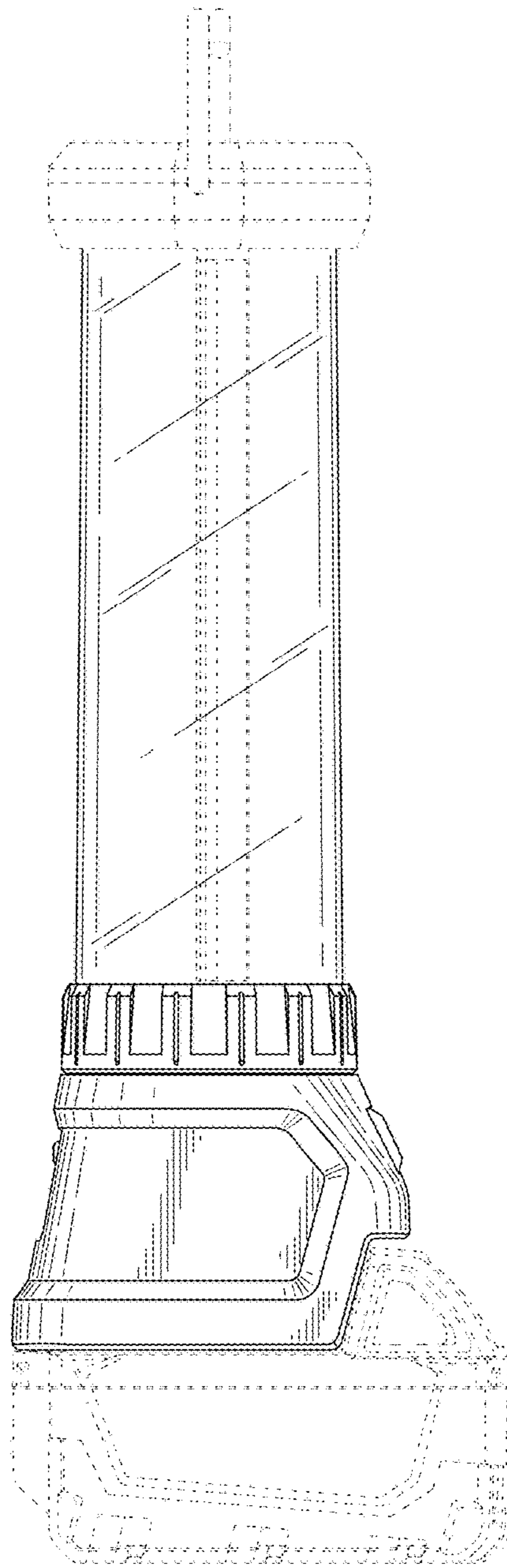


FIG. 3

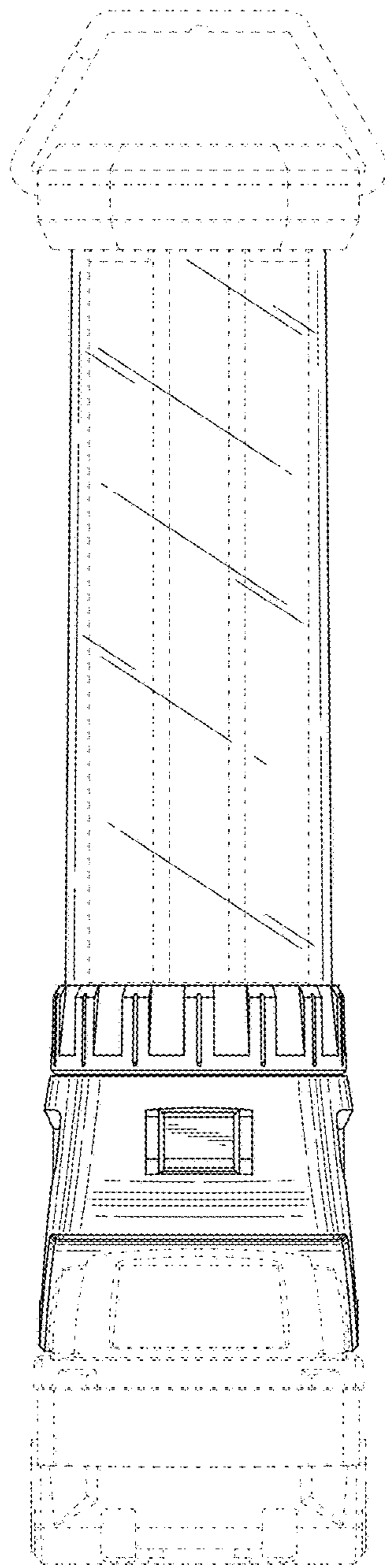


FIG. 4

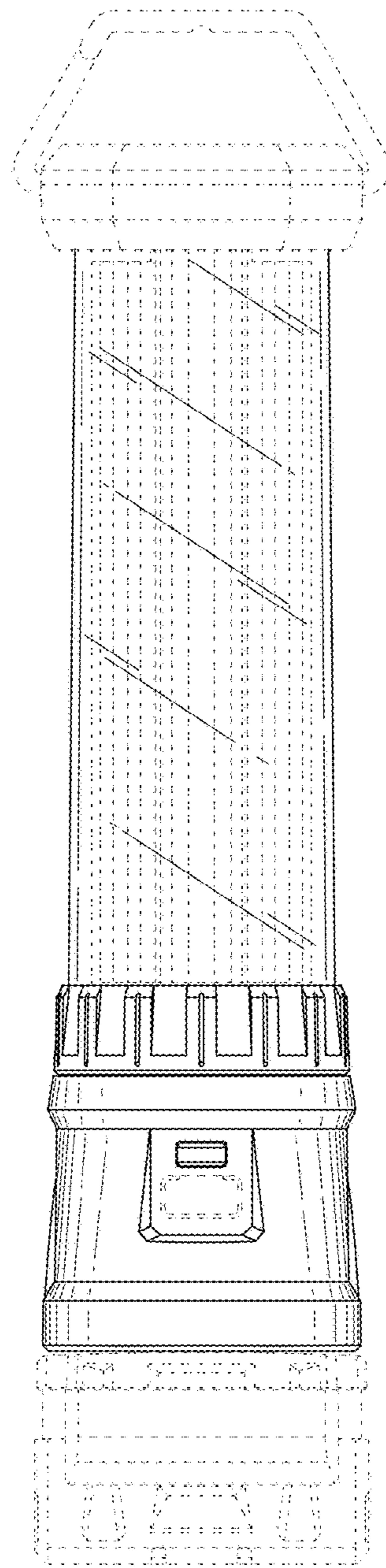


FIG. 5

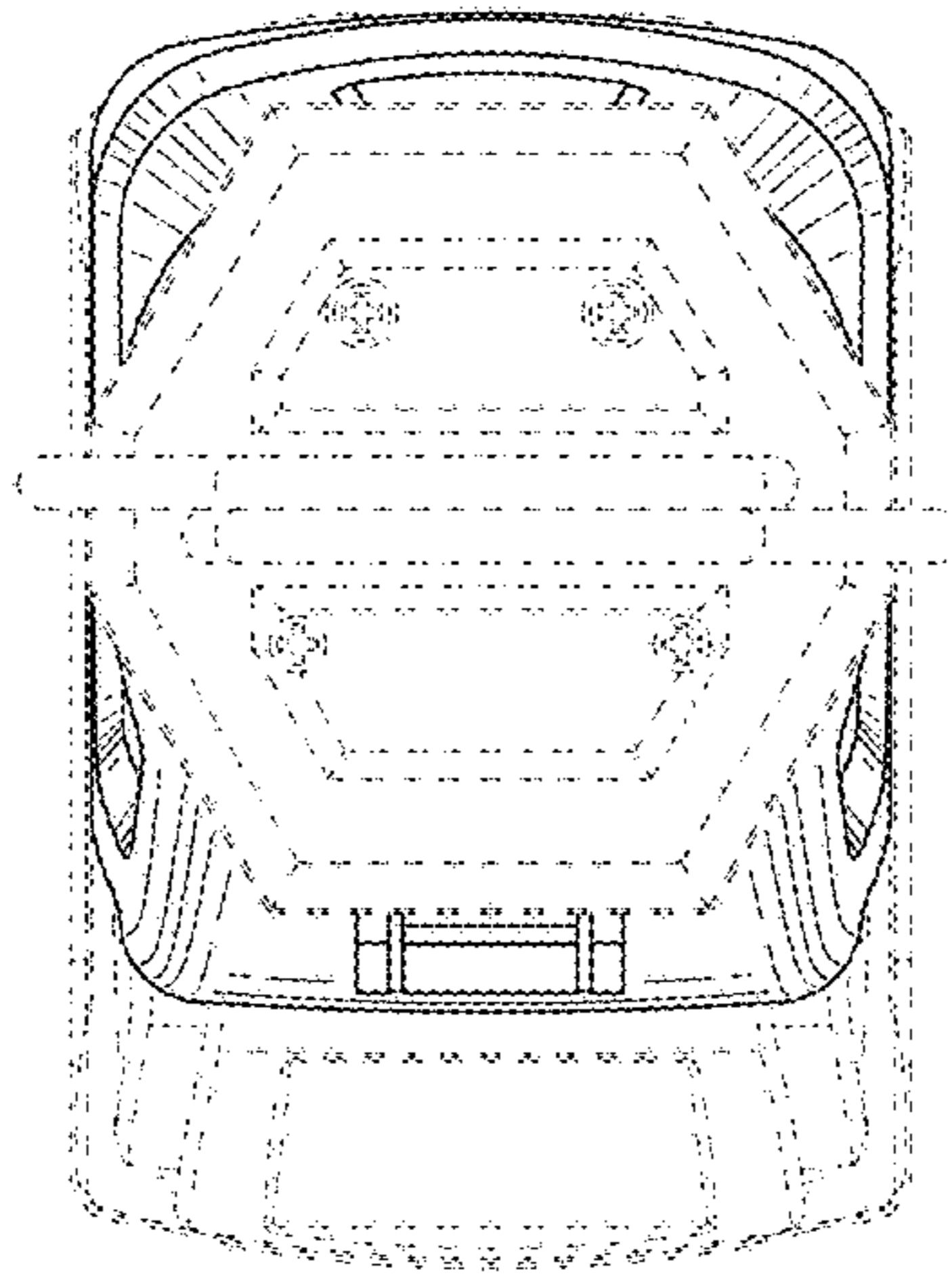


FIG. 6

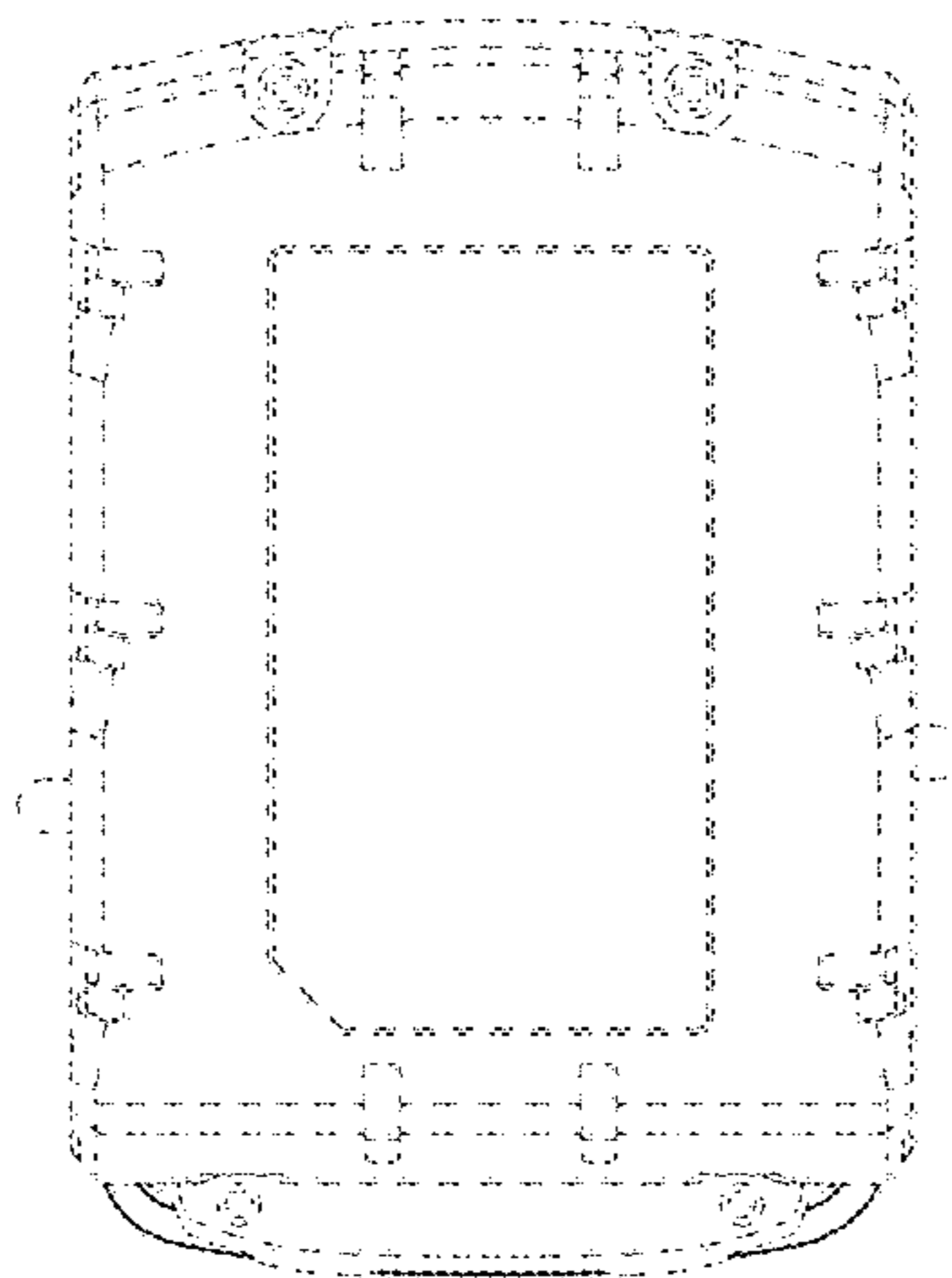


FIG. 7