



US00D844869S

(12) **United States Design Patent** (10) **Patent No.:** **US D844,869 S**
Green (45) **Date of Patent:** **** Apr. 2, 2019**

(54) **HEADLAMP**

(71) Applicant: **Home Depot Product Authority, LLC**,
Atlanta, GA (US)

(72) Inventor: **Adam Green**, Marietta, GA (US)

(73) Assignee: **Home Depot Product Authority, LLC**,
Atlanta, GA (US)

(**) Term: **15 Years**

(21) Appl. No.: **29/582,204**

(22) Filed: **Oct. 26, 2016**

Related U.S. Application Data

(62) Division of application No. 29/506,281, filed on Oct. 14, 2014, now Pat. No. Des. 814,083.

(51) **LOC (11) Cl.** **26-02**

(52) **U.S. Cl.**
USPC **D26/39**

(58) **Field of Classification Search**
USPC D26/37, 38, 39, 42, 46, 51
CPC F21L 2003/00; F21L 4/00; F21L 4/005;
F21L 4/02; F21L 4/025; F21L 4/027;
F21L 4/04; F21L 4/08; F21L 2005/00;
F21L 7/00; F21L 11/00; F21L 13/00;
F21L 13/04; F21L 13/08; F21L 14/02;
F21L 17/00; F21L 19/00

See application file for complete search history.

(56) **References Cited**

U.S. PATENT DOCUMENTS

D552,278 S	*	10/2007	Spartano	D26/39
D562,475 S	*	2/2008	Hojer	D26/28
D603,538 S	*	11/2009	Shiu	D26/39
D603,539 S	*	11/2009	Shiu	D26/39
D650,103 S	*	12/2011	Lee	D26/39
D707,867 S	*	6/2014	Kotsis	D26/39
D743,596 S	*	11/2015	Ormsbee	D26/39
D758,630 S	*	6/2016	Li	D26/39
D788,340 S	*	5/2017	Koshiba	D26/39

* cited by examiner

Primary Examiner — Lakiya G Rogers

Assistant Examiner — Carissa C Fitts

(74) *Attorney, Agent, or Firm* — Greenberg Traurig, LLP

(57) **CLAIM**

The ornamental design for a headlamp, as shown and described.

DESCRIPTION

FIG. 1 is a perspective view of a first embodiment of my headlamp;

FIG. 2 is a front view thereof;

FIG. 3 is a top view thereof;

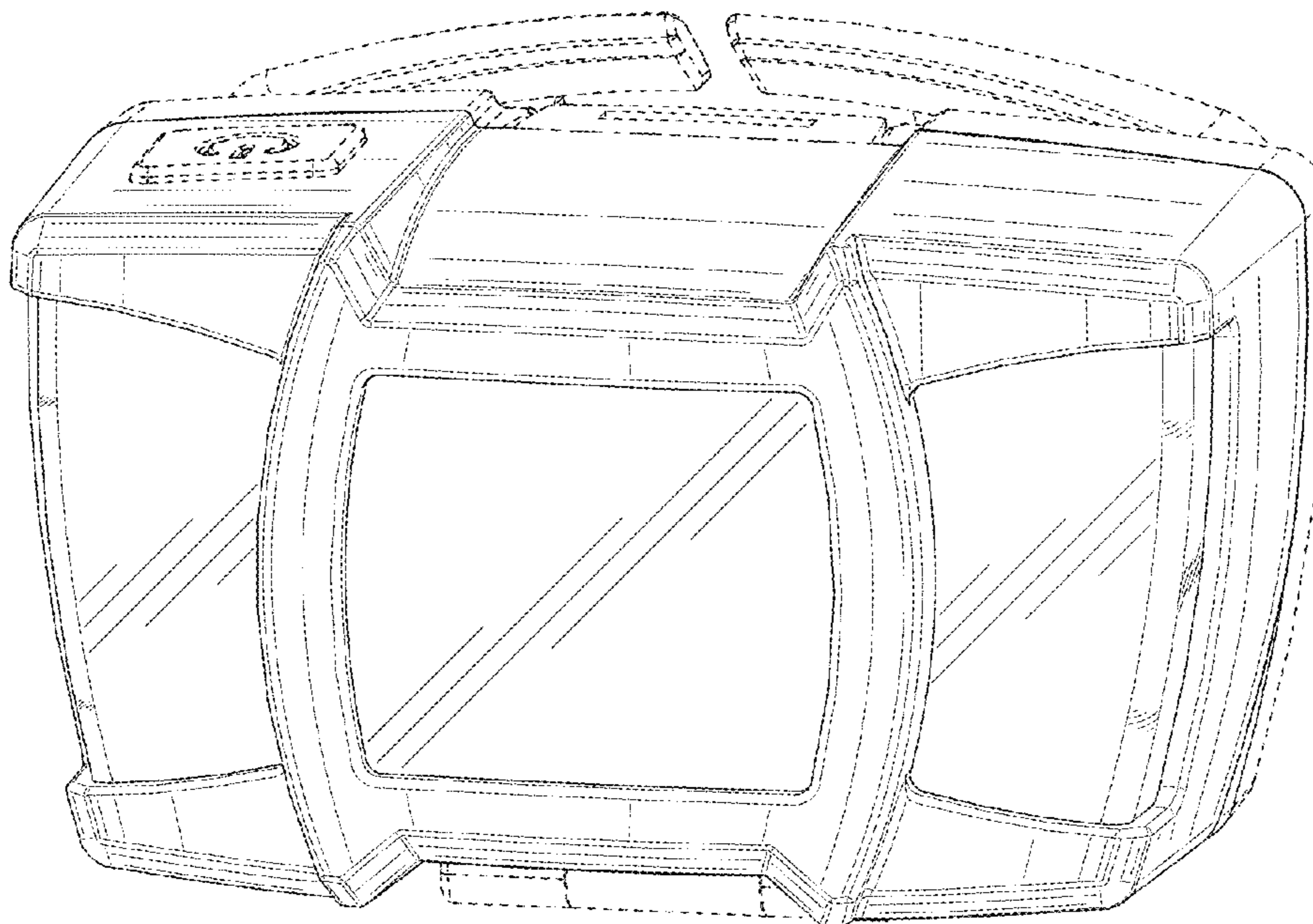
FIG. 4 is a bottom view thereof;

FIG. 5 is a right side view thereof; and,

FIG. 6 is a left side view thereof.

The dashed lines in the figures represent environmental structure only and form no part of the claimed design. The long-short dashed lines in the figures represent boundaries between claimed and unclaimed surfaces and form no part of the claimed design.

1 Claim, 3 Drawing Sheets



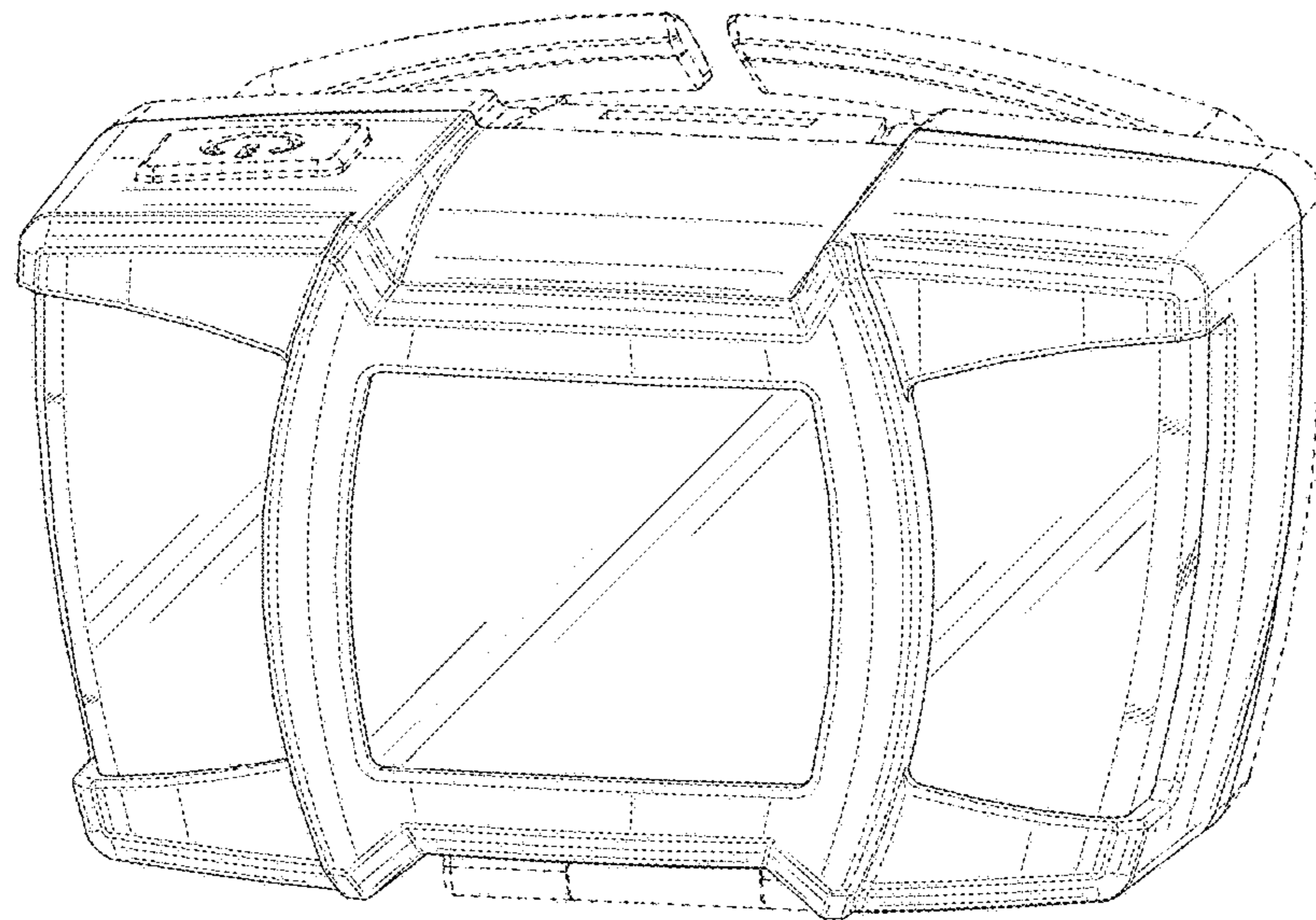


FIG. 1

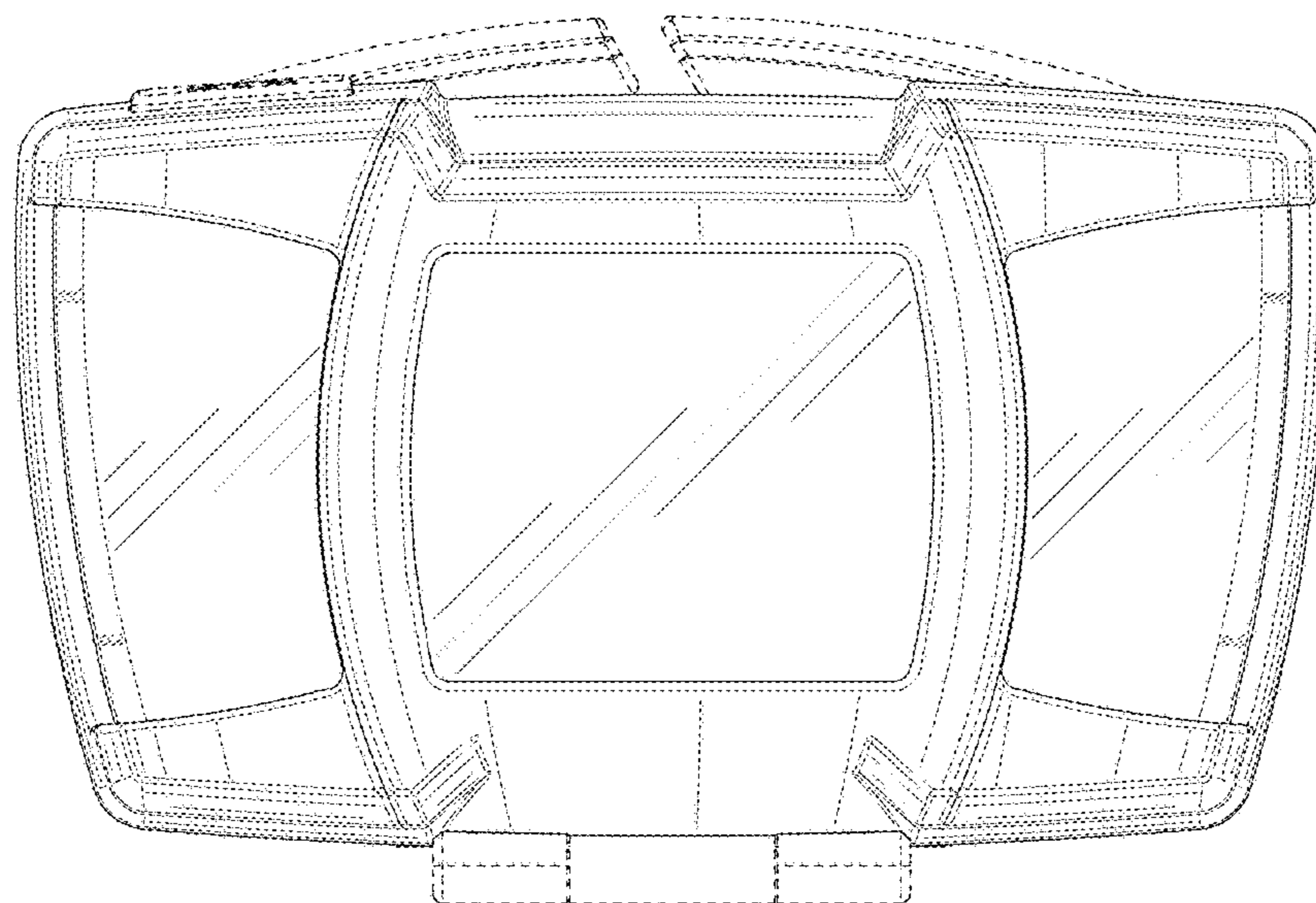


FIG. 2

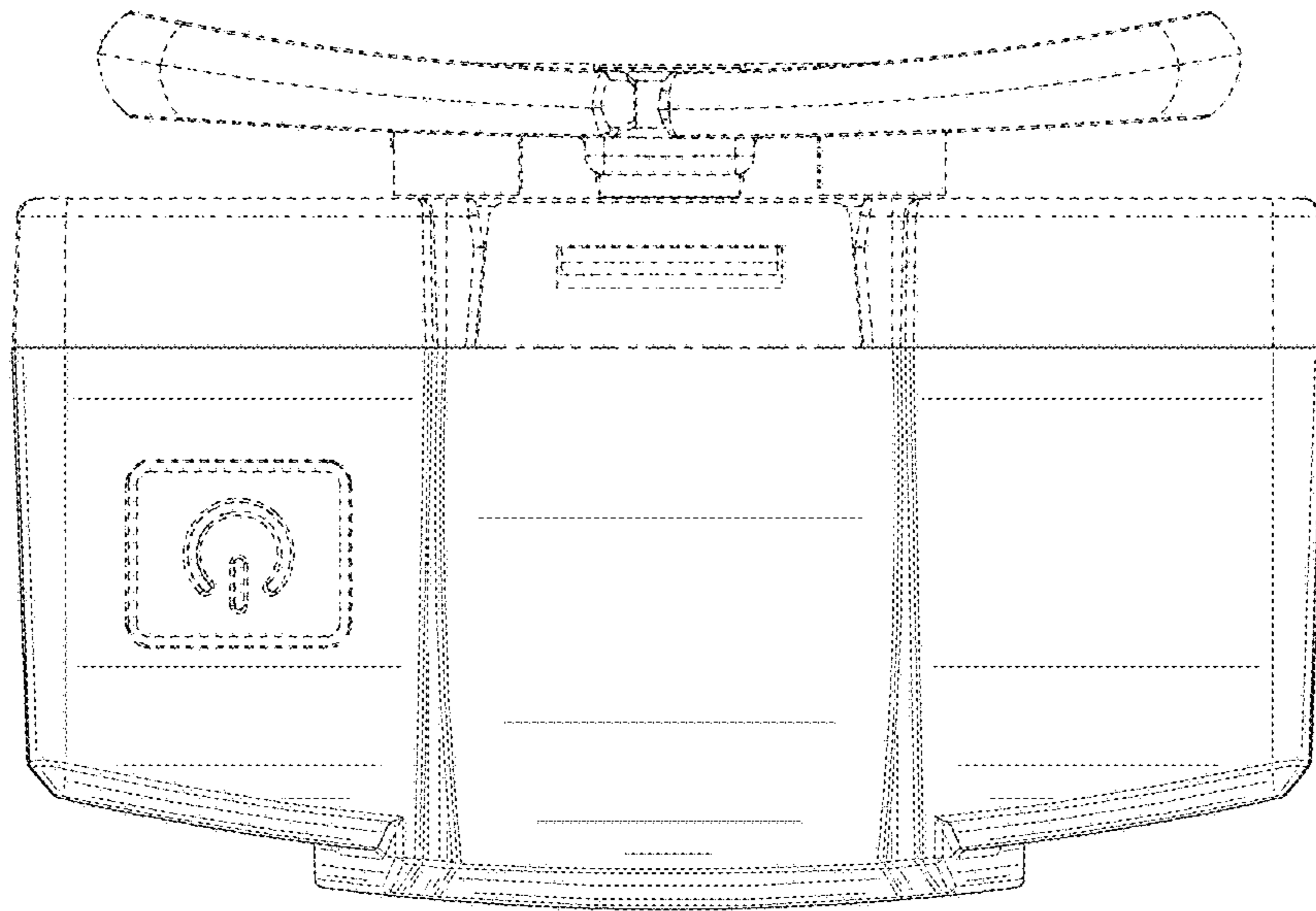


FIG. 3

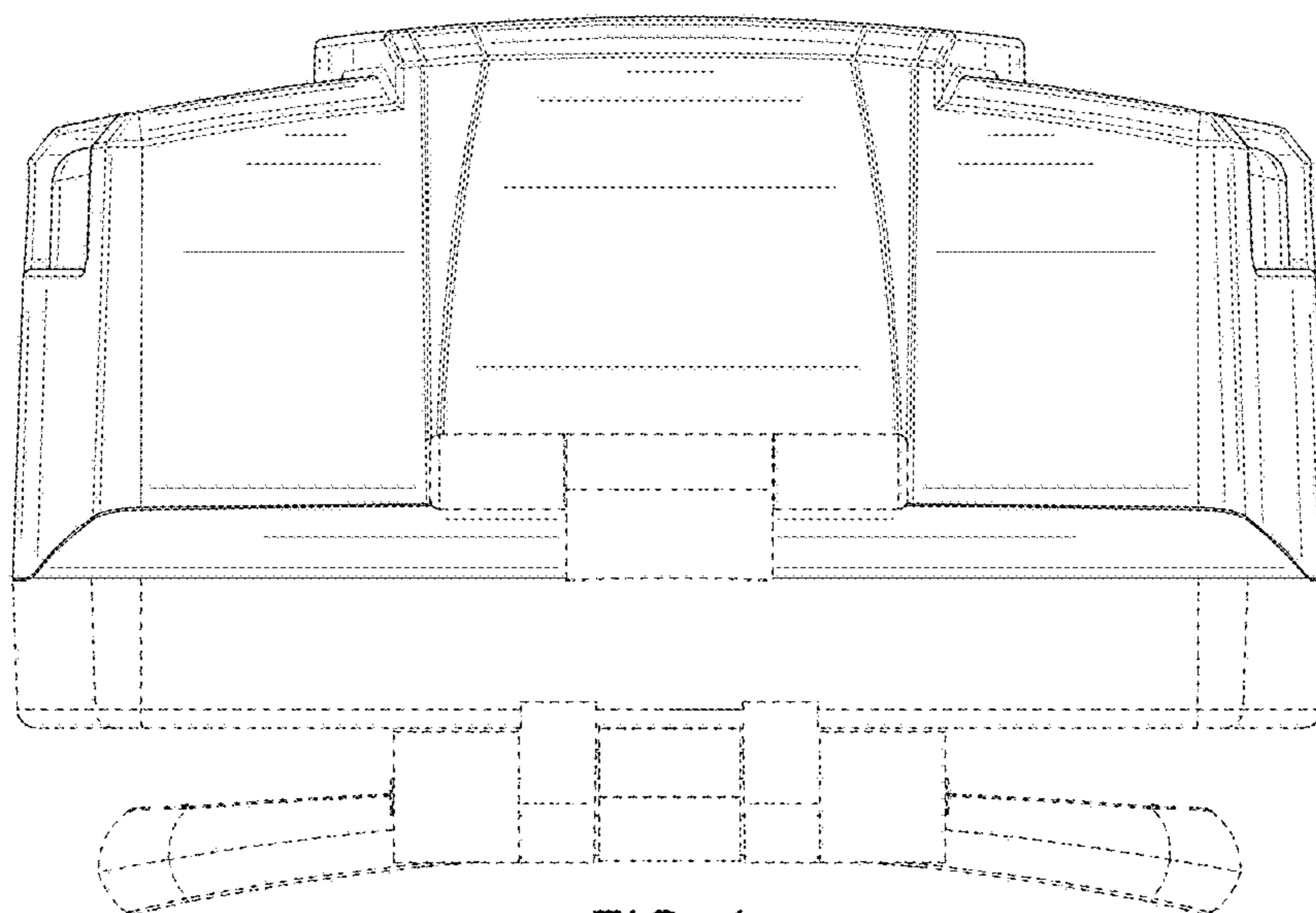


FIG. 4

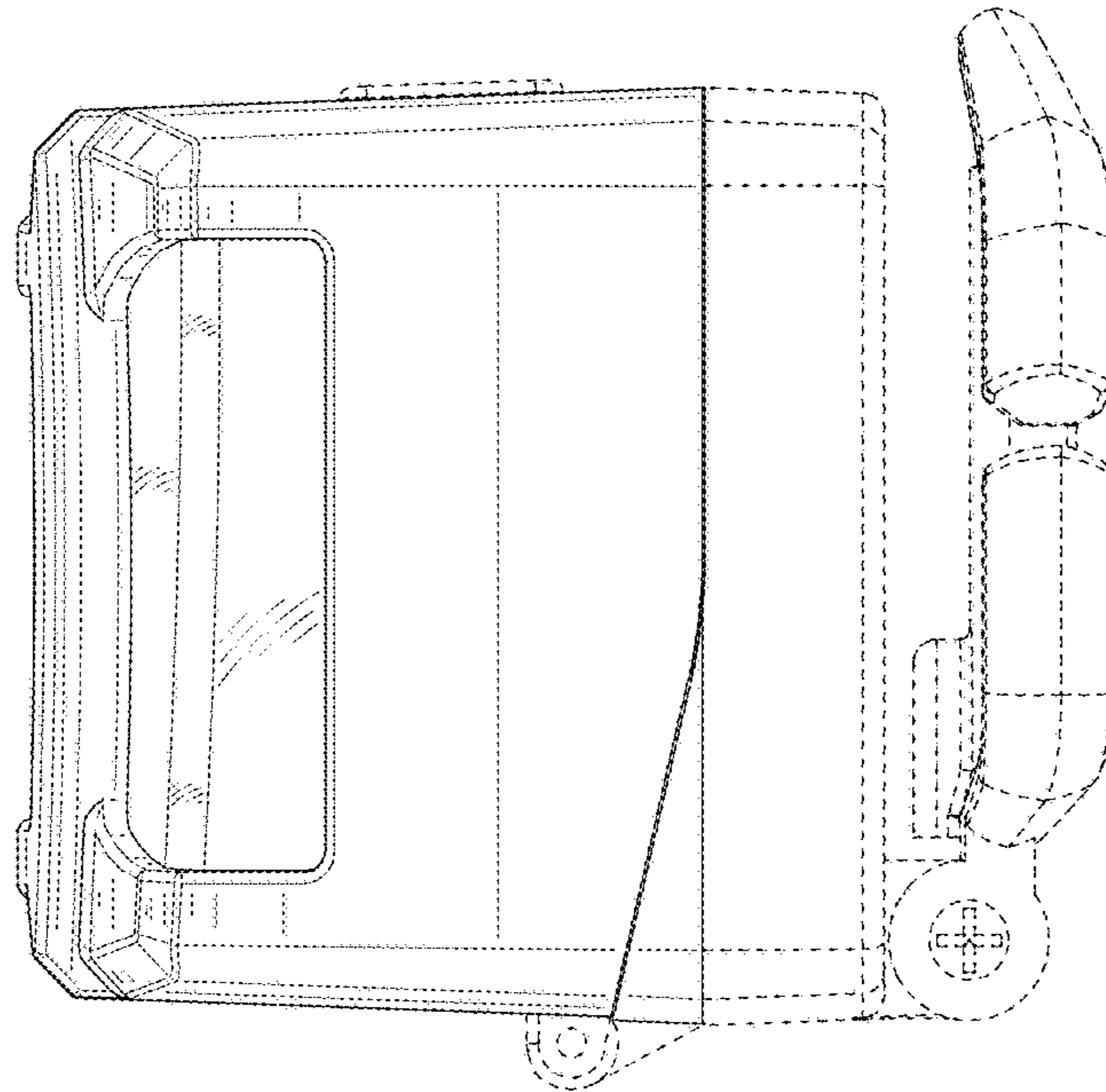


FIG. 5

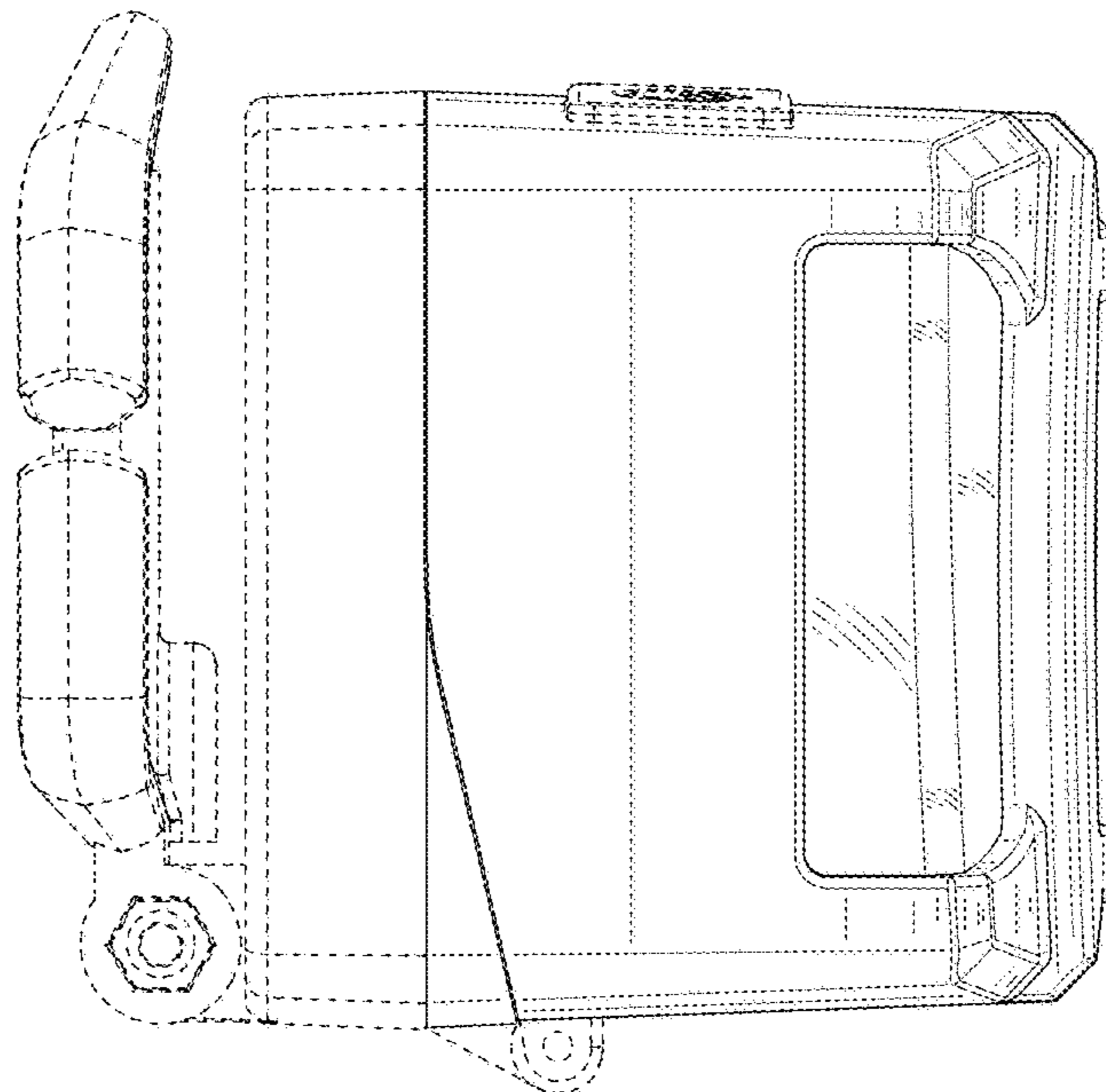


FIG. 6