



US00D844868S

(12) **United States Design Patent**
DeBrunner

(10) **Patent No.:** **US D844,868 S**

(45) **Date of Patent:** **** Apr. 2, 2019**

(54) **HEADLAMP**

(71) Applicant: **Nite Ize, Inc.**, Boulder, CO (US)

(72) Inventor: **Dan DeBrunner**, Overland Park, KS (US)

(73) Assignee: **Nite Ize, Inc.**, Boulder, CO (US)

(**) Term: **15 Years**

(21) Appl. No.: **29/557,235**

(22) Filed: **Mar. 7, 2016**

(51) **LOC (11) Cl.** **26-02**

(52) **U.S. Cl.**
USPC **D26/39**

(58) **Field of Classification Search**

USPC D26/37, 38, 46, 51, 39
CPC F21L 2003/00; F21L 4/00; F21L 4/005;
F21L 4/02; F21L 4/025; F21L 4/027;
F21L 4/04; F21L 4/08; F21L 2005/00;
F21L 7/00; F21L 11/00; F21L 13/00;
F21L 13/04; F21L 13/08; F21L 14/02;
F21L 17/00; F21L 19/00

See application file for complete search history.

(56) **References Cited**

U.S. PATENT DOCUMENTS

D527,127 S * 8/2006 Petzl D26/39
D554,783 S * 11/2007 Shiu D26/39
D566,310 S * 4/2008 Alessio D26/39
D576,325 S * 9/2008 Kim D26/39
D672,893 S * 12/2012 Inskeep D26/39
D743,596 S * 11/2015 Ormsbee D26/39

D744,135 S * 11/2015 Menjor D26/39
D752,261 S * 3/2016 Ma D26/39
D758,630 S * 6/2016 Li D26/39
D762,317 S * 7/2016 Ormsbee D26/39
2015/0192282 A1* 7/2015 Ormsbee F21V 21/084
315/307
2015/0345760 A1* 12/2015 Law F21V 21/084
362/105

* cited by examiner

Primary Examiner — Lakiya G Rogers

Assistant Examiner — Carissa C Fitts

(74) *Attorney, Agent, or Firm* — Haynes and Boone, LLP

(57) **CLAIM**

The ornamental design for a headlamp, as shown and described.

DESCRIPTION

FIG. 1 is a left front perspective view of the headlamp;
FIG. 2 is a right front perspective view of the headlamp of FIG. 1;
FIG. 3 is a back left perspective view of the headlamp of FIG. 1;
FIG. 4 is a top view of the headlamp of FIG. 1;
FIG. 5 is a bottom view of the headlamp of FIG. 1;
FIG. 6 is a front view of the headlamp of FIG. 1;
FIG. 7 is a back view of the headlamp of FIG. 1;
FIG. 8 is a left side view of the headlamp of FIG. 1; and,
FIG. 9 is a right side view of the headlamp of FIG. 1
The broken lines shown unclaimed portions of the article and form no part of the claimed design.

1 Claim, 7 Drawing Sheets

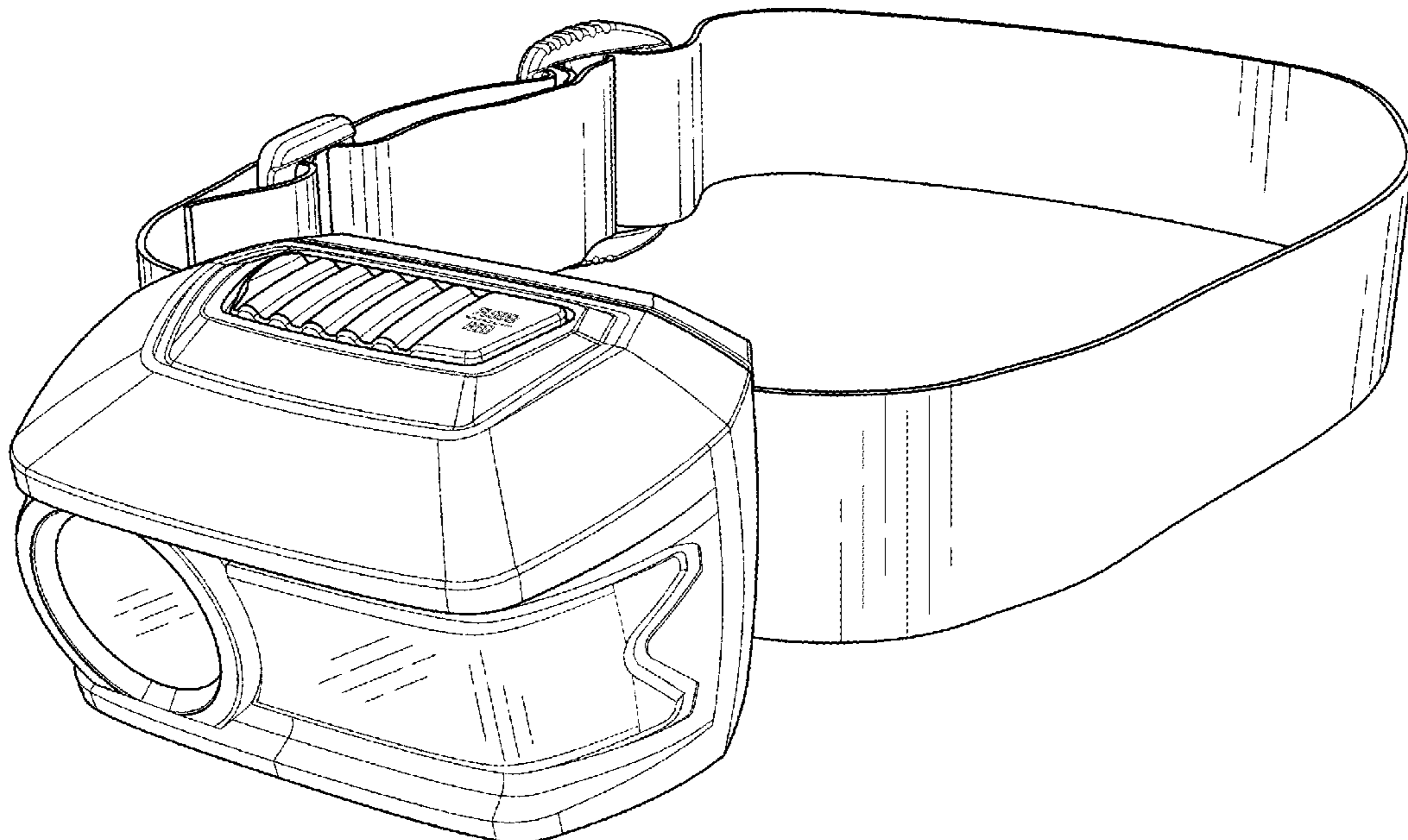


FIG. 1

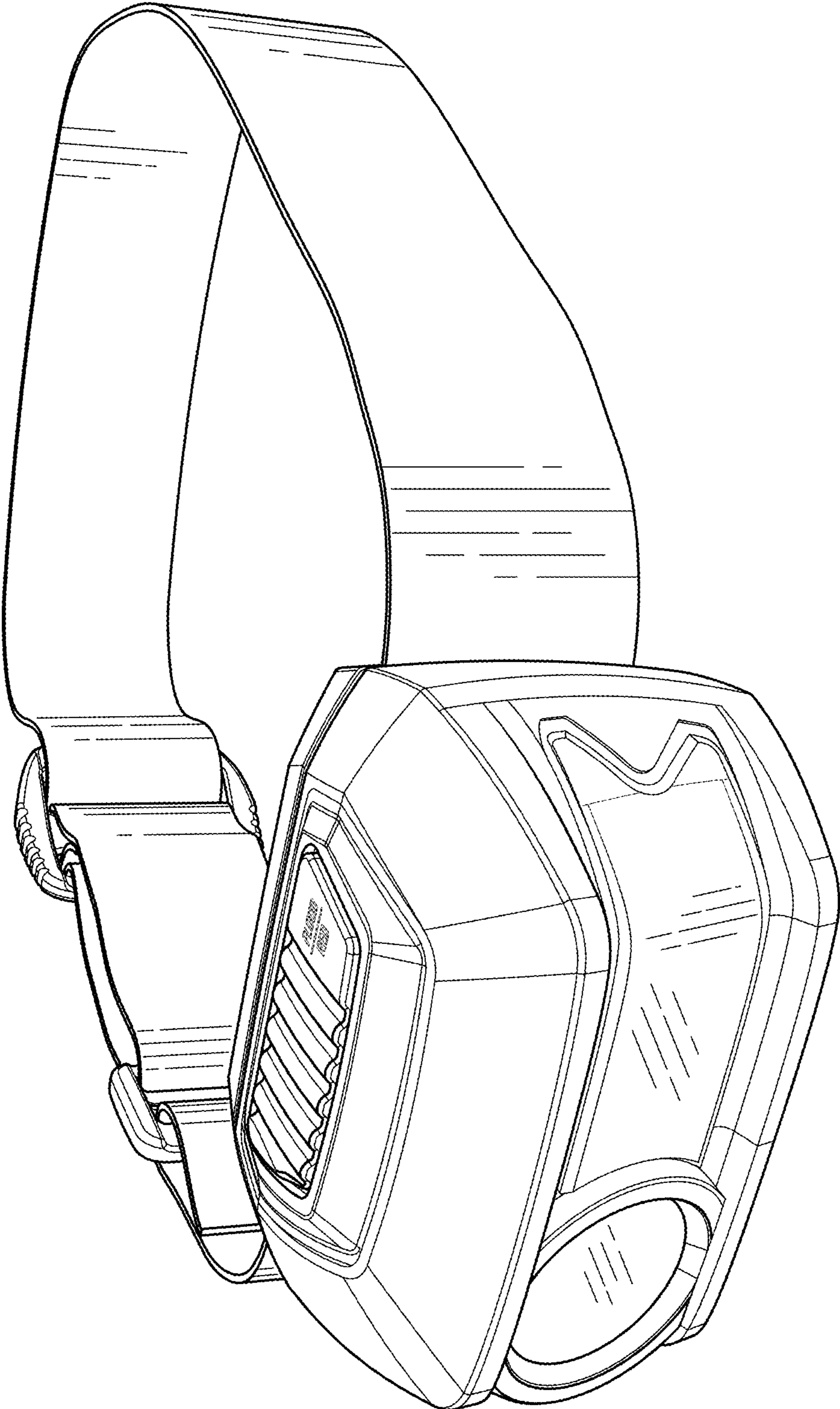


FIG. 2

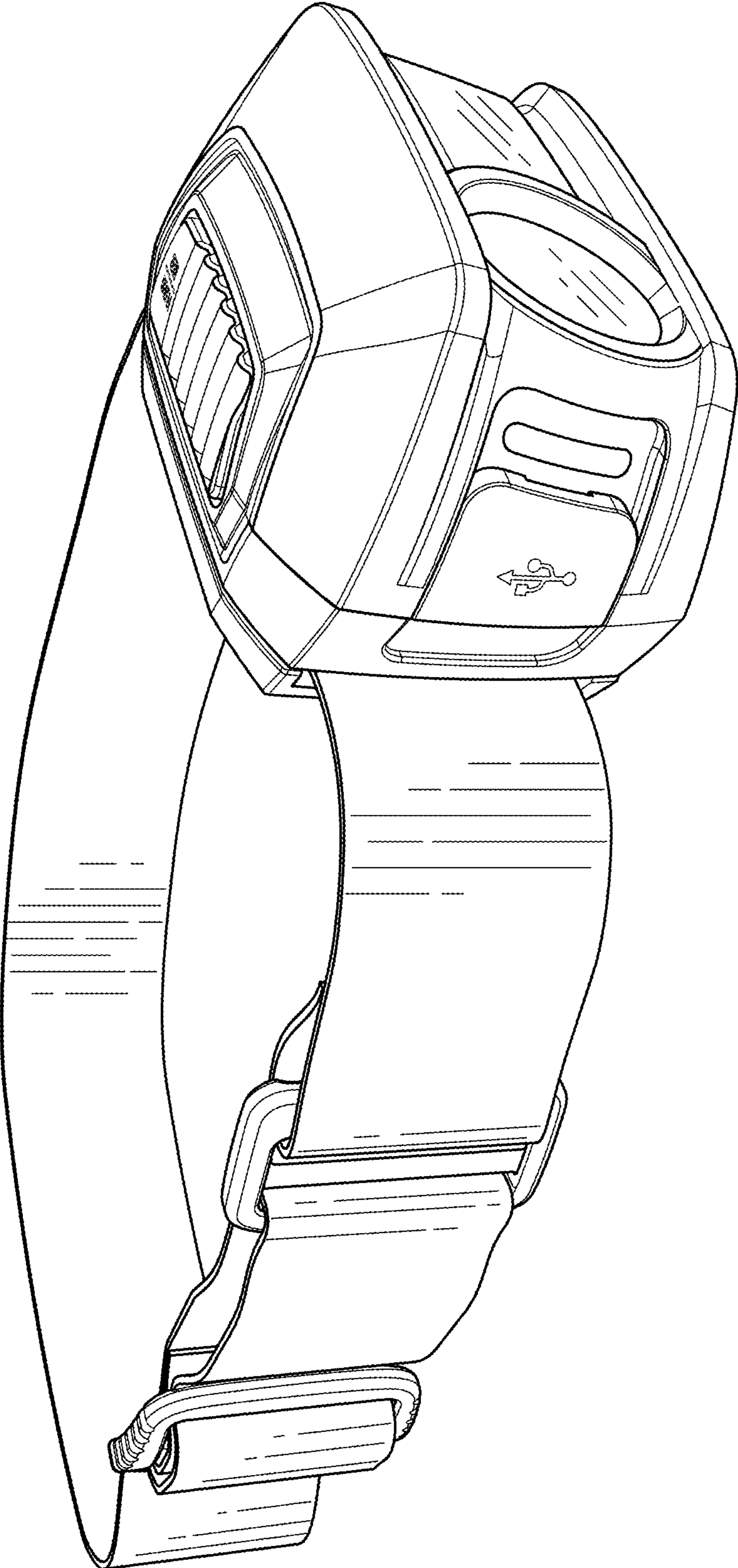


FIG. 3

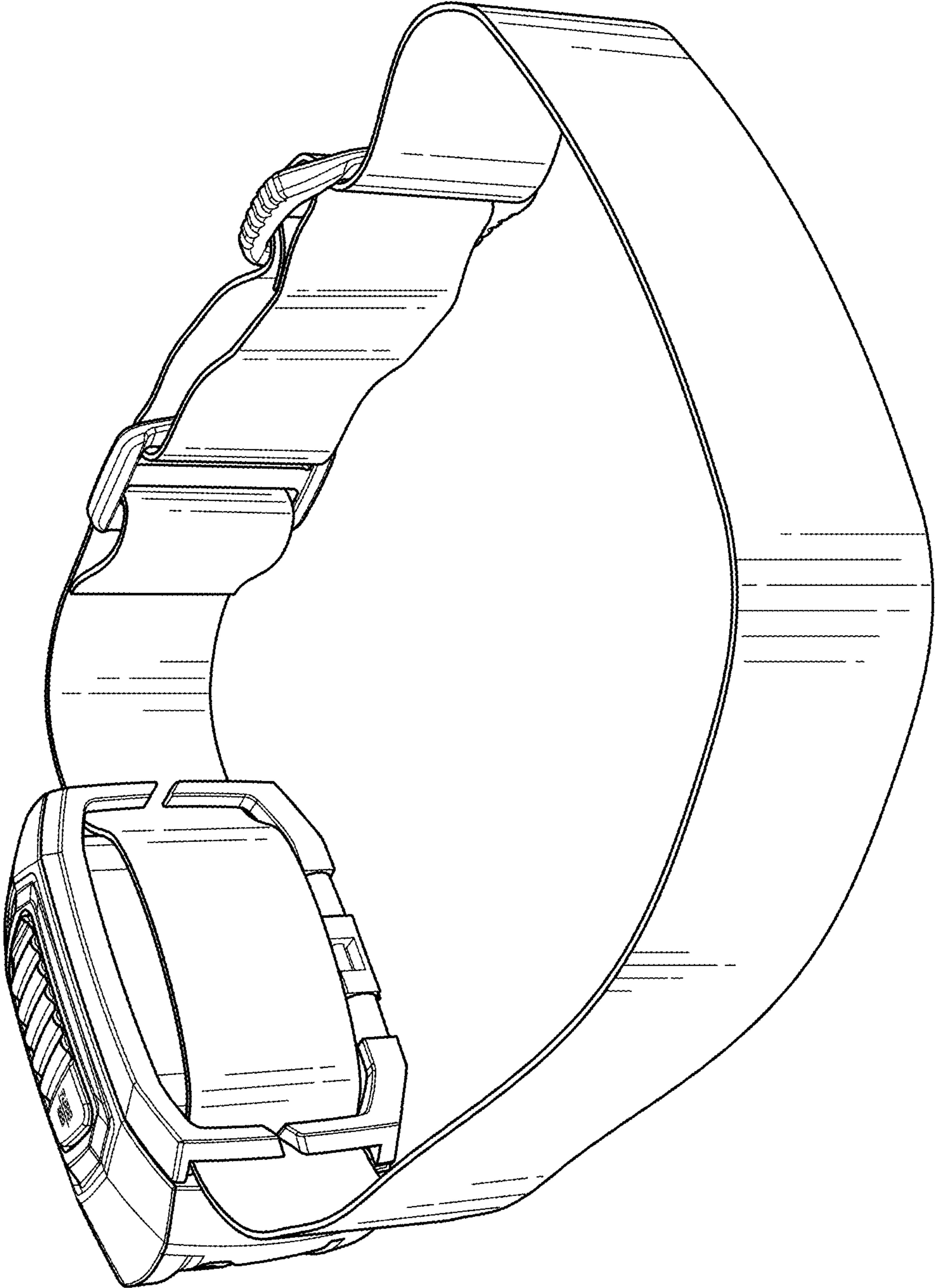


FIG. 4

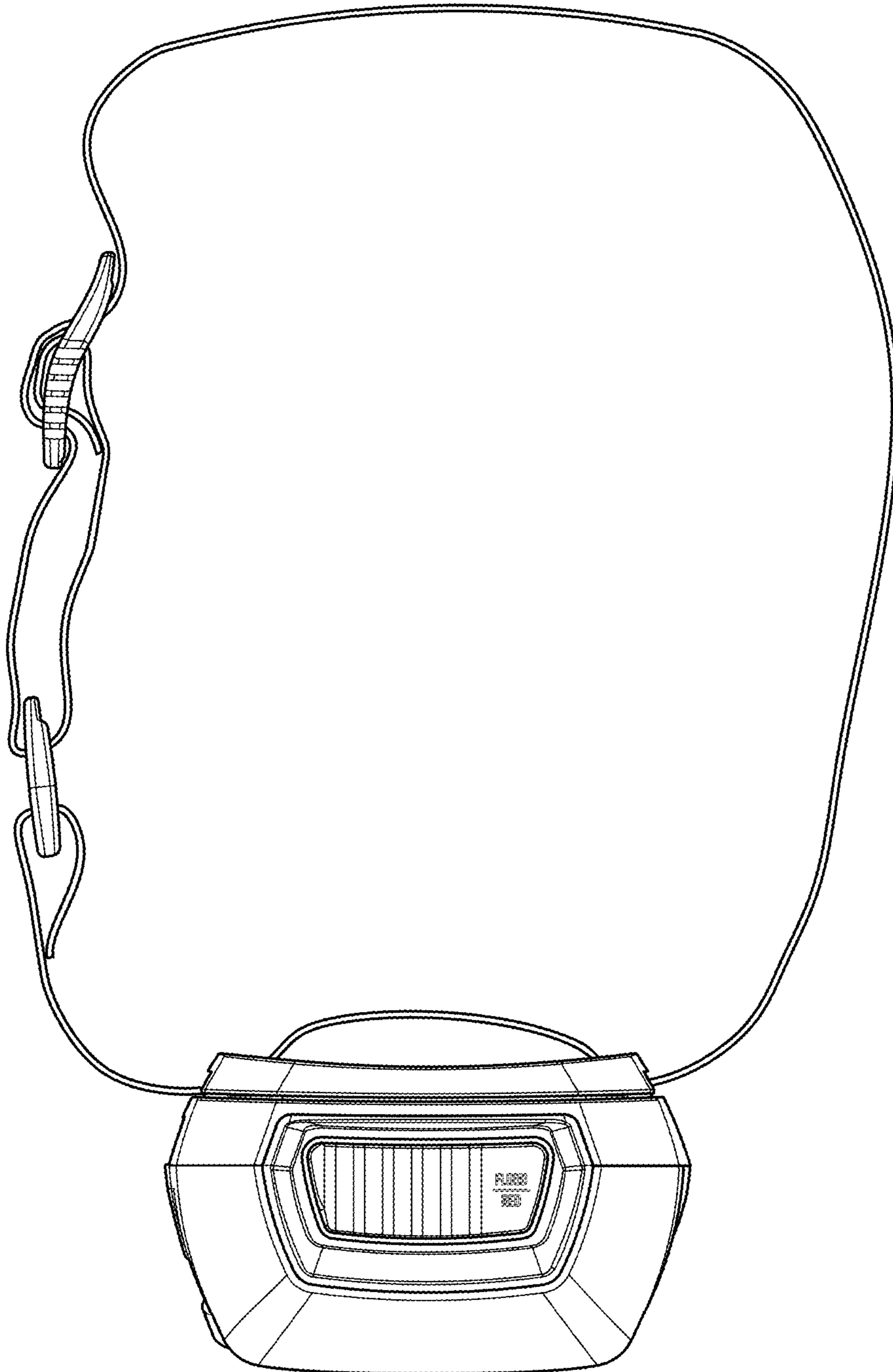


FIG. 5

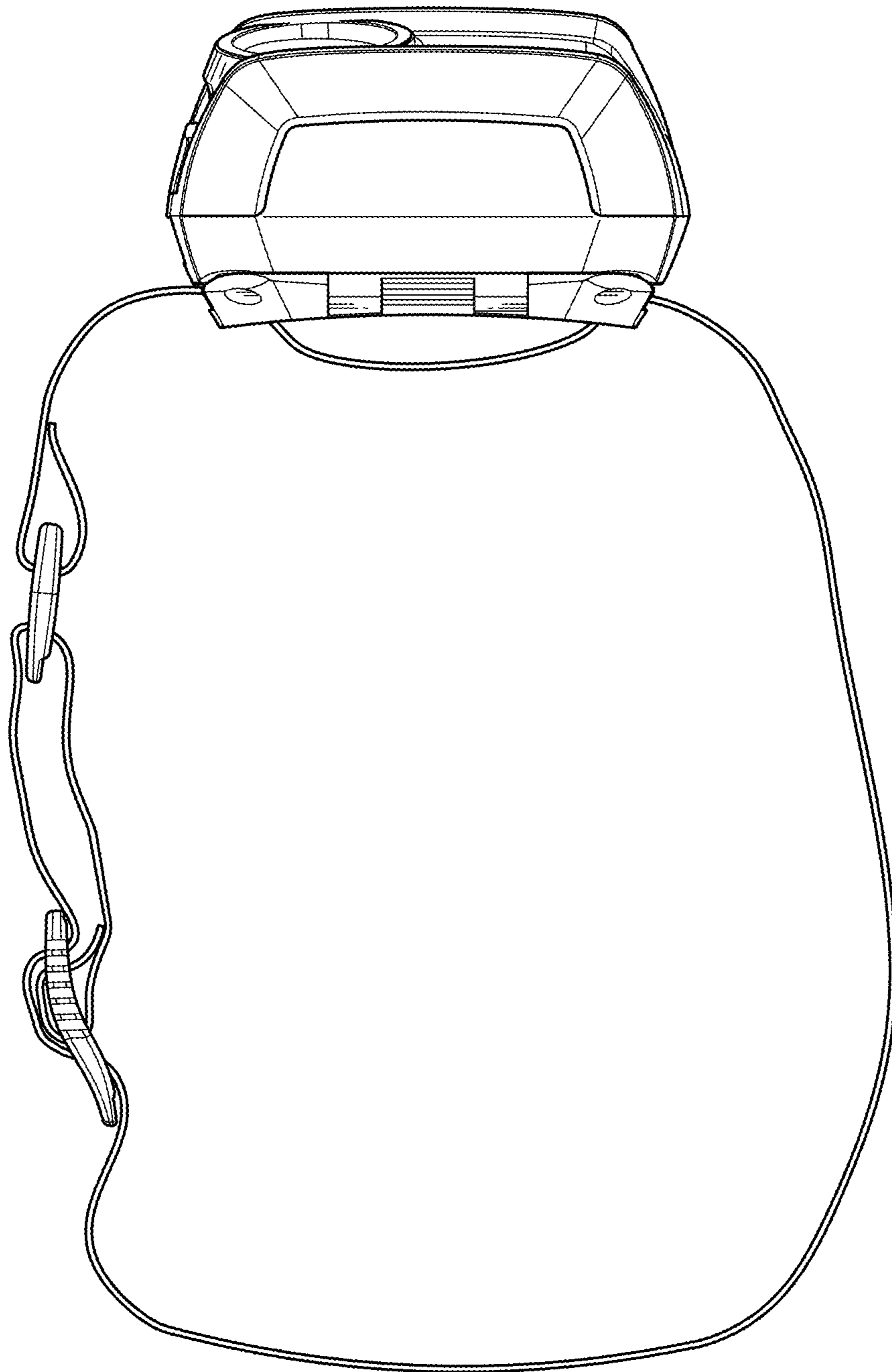


FIG. 6

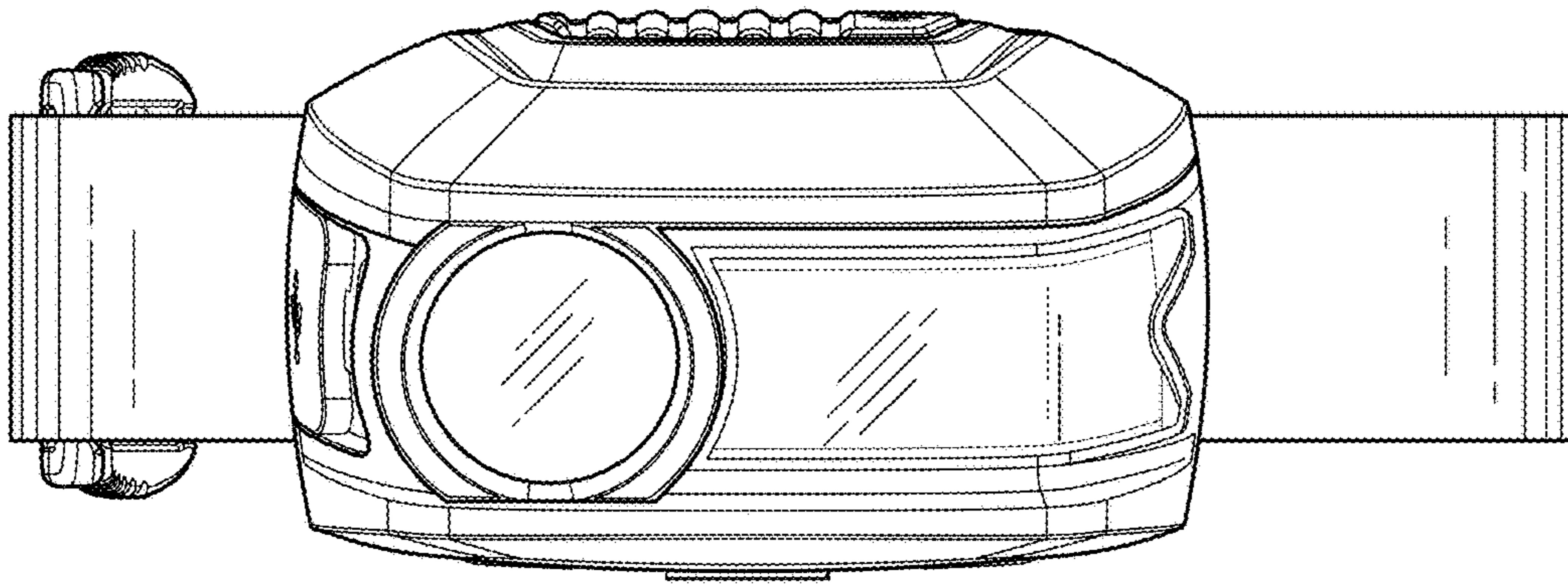


FIG. 7

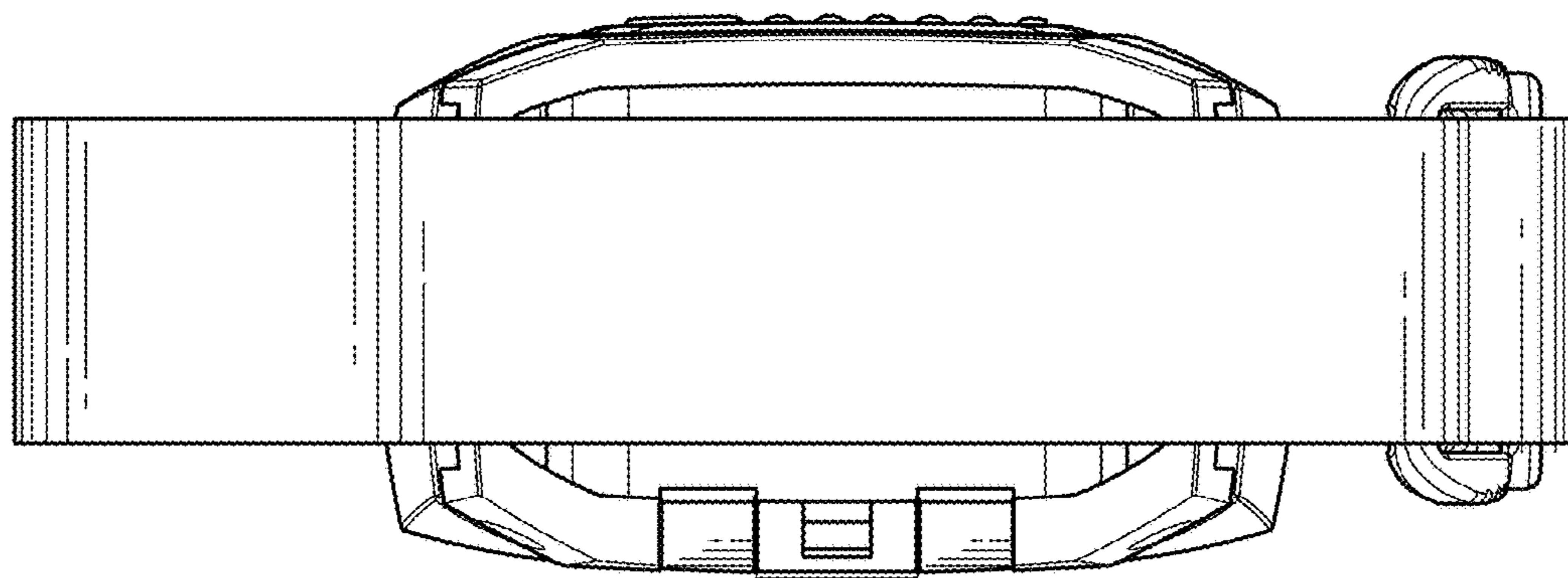


FIG. 8

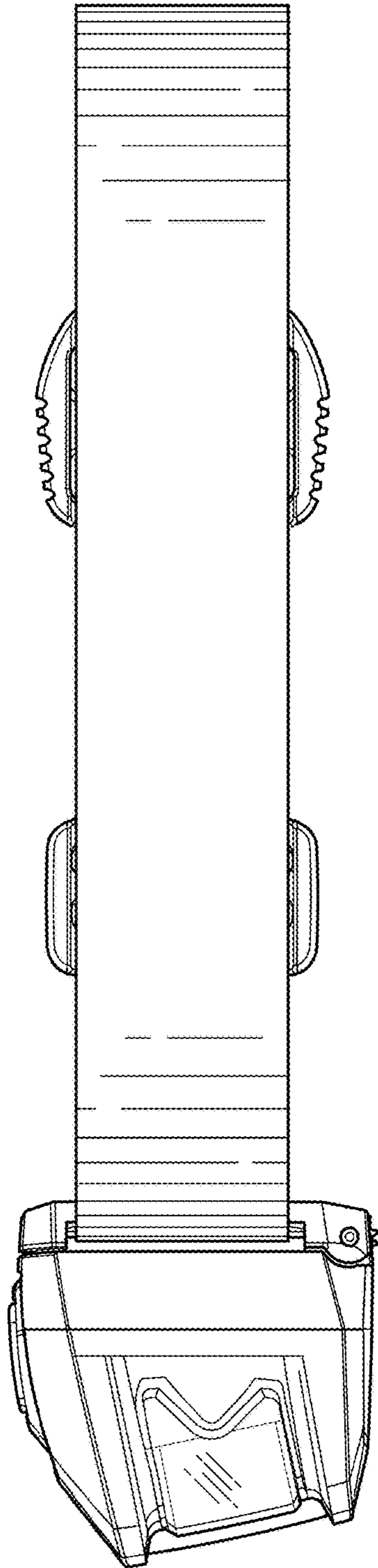


FIG. 9

