



US00D844862S

(12) **United States Design Patent** (10) **Patent No.:** **US D844,862 S**  
**Nordmann** (45) **Date of Patent:** **\*\* Apr. 2, 2019**

(54) **HEADLIGHT FOR A VEHICLE**  
(71) Applicant: **Bayerische Motoren Werke Aktiengesellschaft, Munich (DE)**  
(72) Inventor: **Christoph Nordmann, Munich (DE)**  
(73) Assignee: **Bayerische Motoren Werke Aktiengesellschaft, Munich (DE)**

D676,166 S \* 2/2013 Lai ..... D26/28  
D677,813 S \* 3/2013 Hanaoka ..... D26/28  
D686,355 S \* 7/2013 Morgenstern .....  
D706,471 S \* 6/2014 Lai ..... D26/28  
D707,865 S \* 6/2014 Yoshida ..... D26/28  
D718,893 S \* 12/2014 Lai ..... D26/28  
D720,870 S \* 1/2015 Lim ..... D26/28

(Continued)

(\*\*) Term: **15 Years**  
(21) Appl. No.: **29/605,298**

**FOREIGN PATENT DOCUMENTS**

WO WO DM/076561 2/2012  
WO WO DM/076869 3/2012

(Continued)

(22) Filed: **May 25, 2017**  
(30) **Foreign Application Priority Data**

*Primary Examiner* — Philip S Hyder  
*Assistant Examiner* — Cary M Robinson  
(74) *Attorney, Agent, or Firm* — Crowell & Moring LLP

Nov. 30, 2016 (DE) ..... 40 2016 101 441

(57) **CLAIM**

(51) **LOC (11) Cl.** ..... **26-06**  
(52) **U.S. Cl.**  
USPC ..... **D26/28**

The ornamental design for a headlight for a vehicle, as shown and described.

(58) **Field of Classification Search**  
USPC ..... D12/86, 90–92, 114, 163, 169, 171–173, D12/181, 190, 196, 197, 199, 400; D26/28–36  
CPC ... B62J 6/02; B62J 6/00; B60Q 3/0279; F21S 48/00; F21S 48/10; F21S 48/115; F21S 48/225; F21S 48/1233; F21S 48/1266; F21S 48/1388; F21S 48/2268; F21V 21/04

**DESCRIPTION**

See application file for complete search history.

This application contains subject matter related to the following co-pending U.S. design patent applications:

(56) **References Cited**

**U.S. PATENT DOCUMENTS**

D528,231 S \* 9/2006 Ikeda ..... D26/28  
D529,208 S \* 9/2006 Ikeda ..... D26/28  
D544,614 S \* 6/2007 Markefka ..... D26/28  
D545,980 S \* 7/2007 Platto ..... D26/28  
D658,321 S \* 4/2012 Takeda ..... D26/28  
D667,576 S \* 9/2012 Huet .....  
D674,940 S \* 1/2013 Lai ..... D26/28

Application Ser. No. 29/605,288, filed herewith and entitled “Vehicle, Toy, and/or Replicas Thereof”;  
Application Ser. No. 29/605,299, filed herewith and entitled “Headlight for a Vehicle”; and  
Application No. 29/605,301, filed herewith and entitled “Headlight for a Vehicle”.

FIG. 1 is a front view of a headlight for a vehicle according to the design;

FIG. 2 is a right perspective view thereof;

FIG. 3 is a left perspective view thereof;

FIG. 4 is a right side view thereof;

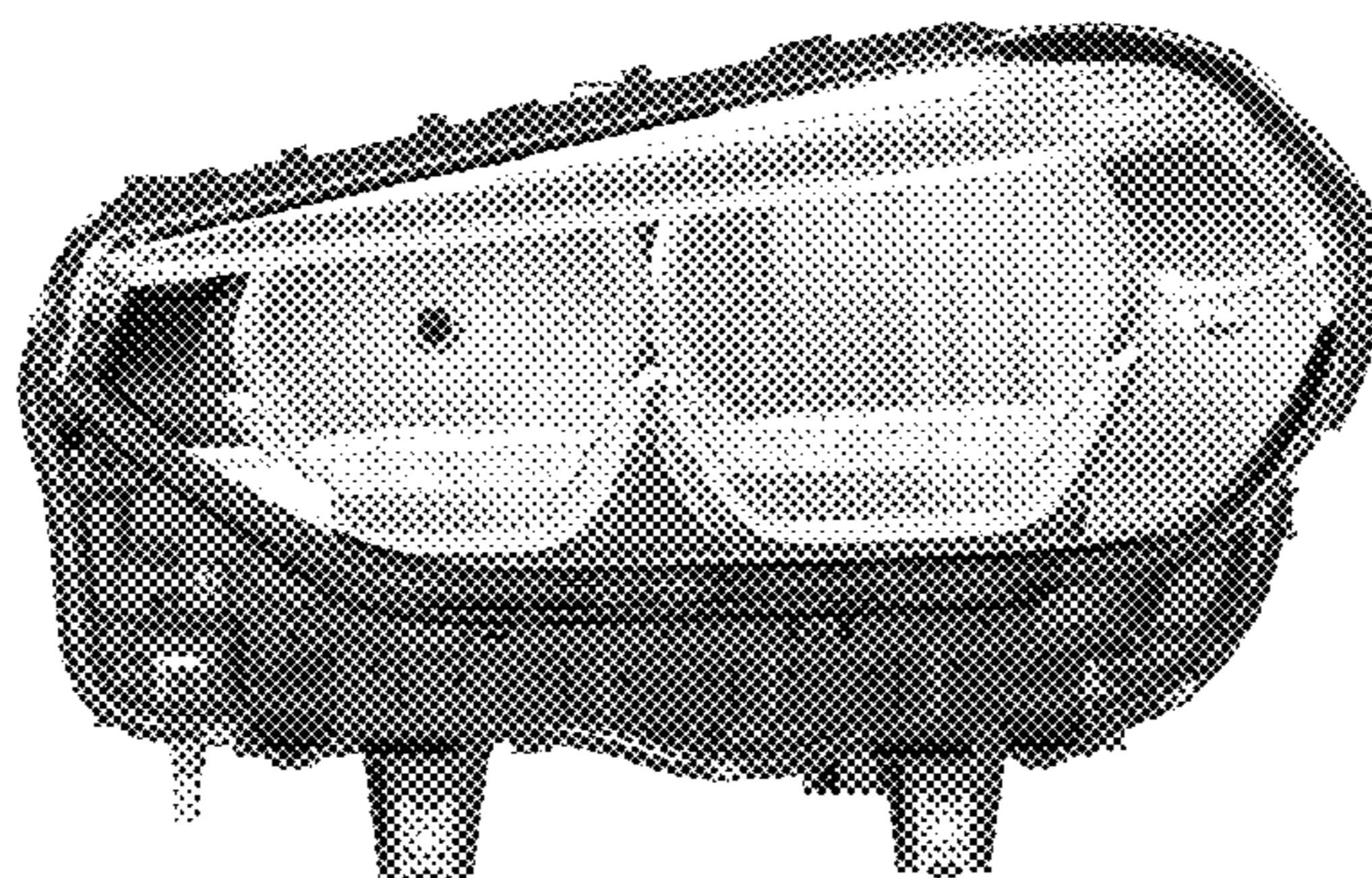
FIG. 5 is a left side view thereof;

FIG. 6 is a top view thereof;

FIG. 7 is a bottom view thereof; and,

FIG. 8 is a rear view thereof.

**1 Claim, 8 Drawing Sheets**



(56)

References Cited

U.S. PATENT DOCUMENTS

D721,450 S \* 1/2015 Lai ..... D26/28  
 D739,056 S 9/2015 Nordmann  
 D739,578 S \* 9/2015 Han ..... D26/28  
 D742,045 S \* 10/2015 Futschik ..... D26/28  
 D746,495 S \* 12/2015 Gorsten Schuenemann .. D26/28  
 D747,821 S \* 1/2016 Yoshida ..... D26/28  
 D761,463 S \* 7/2016 Lai ..... D26/28  
 D761,986 S \* 7/2016 Obatake ..... D26/28  
 D762,314 S 7/2016 Luk  
 D765,894 S \* 9/2016 Lai ..... D26/28  
 D769,477 S \* 10/2016 Gunnarson ..... D26/28  
 D779,090 S \* 2/2017 Giolito ..... D26/28  
 9,676,320 B2 \* 6/2017 Lyon ..... B60Q 1/0035  
 D796,715 S \* 9/2017 Lin ..... D26/28  
 D797,332 S \* 9/2017 Lin ..... D26/28  
 D801,564 S \* 10/2017 Nakamura ..... D26/28

D801,567 S \* 10/2017 Oh ..... D26/28  
 D802,181 S \* 11/2017 Cartabiano ..... D26/28  
 D803,433 S \* 11/2017 Yang ..... D26/28  
 D806,285 S \* 12/2017 Kawakami ..... D26/28  
 D806,286 S \* 12/2017 Kawakami ..... D26/28  
 D828,589 S \* 9/2018 Hannemann ..... D26/28  
 D828,590 S \* 9/2018 Hannemann ..... D26/28  
 D829,947 S \* 10/2018 Jung ..... D26/28  
 D829,948 S \* 10/2018 Jung ..... D26/28  
 D829,949 S \* 10/2018 Jung ..... D26/28  
 2014/0192548 A1 \* 7/2014 Kracker ..... F21S 48/1159  
 362/538

FOREIGN PATENT DOCUMENTS

WO WO DM/078972 2/2013  
 WO WO DM/080343 8/2013  
 WO WO DM/094975 2/2017

\* cited by examiner



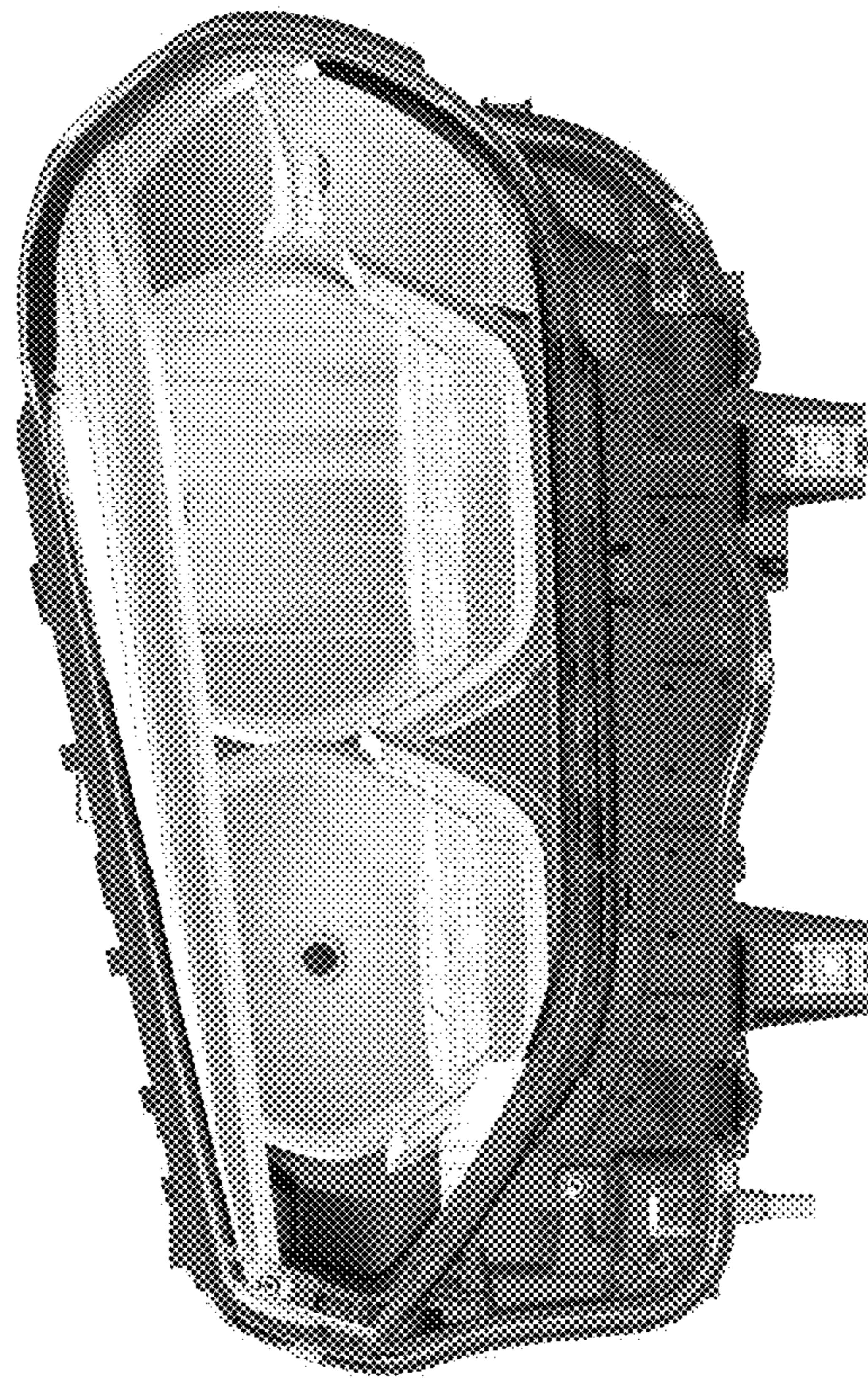


Fig. 1



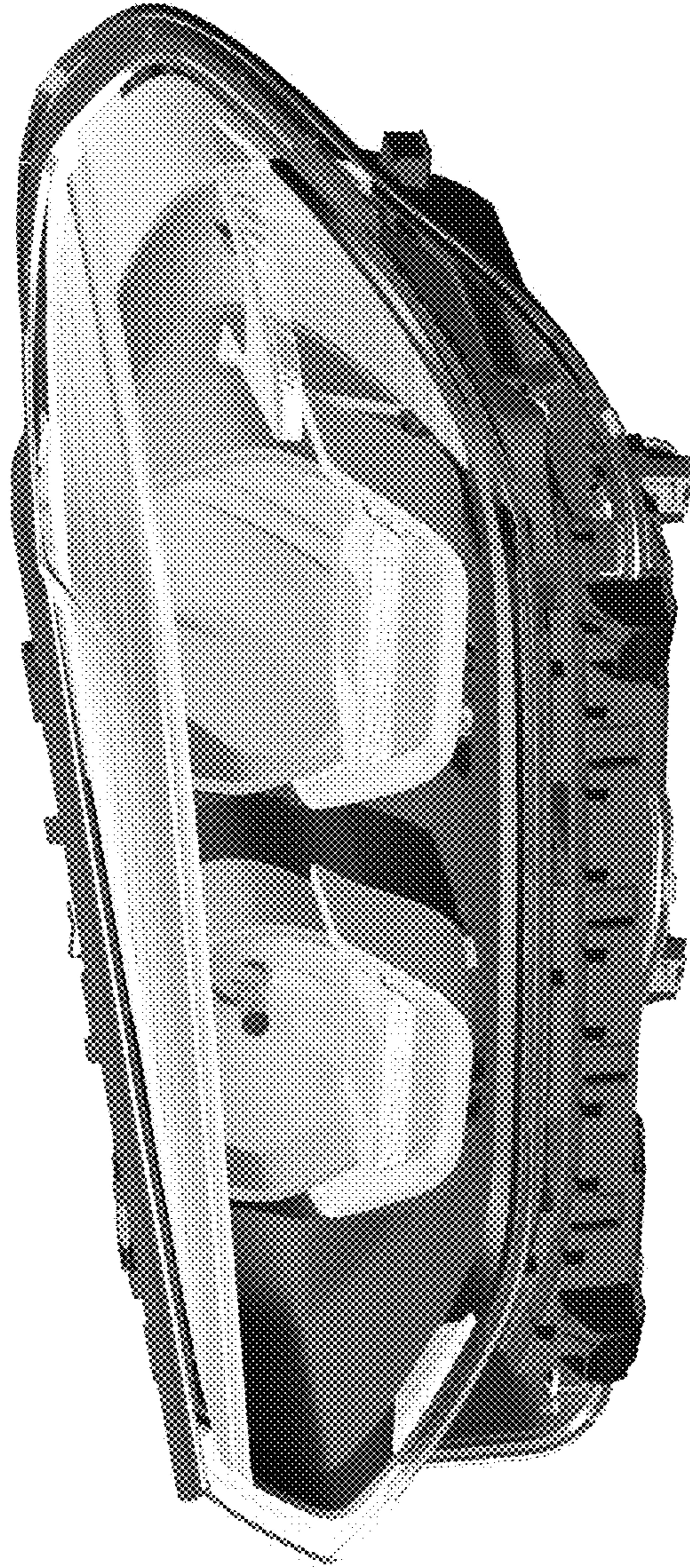


Fig. 2



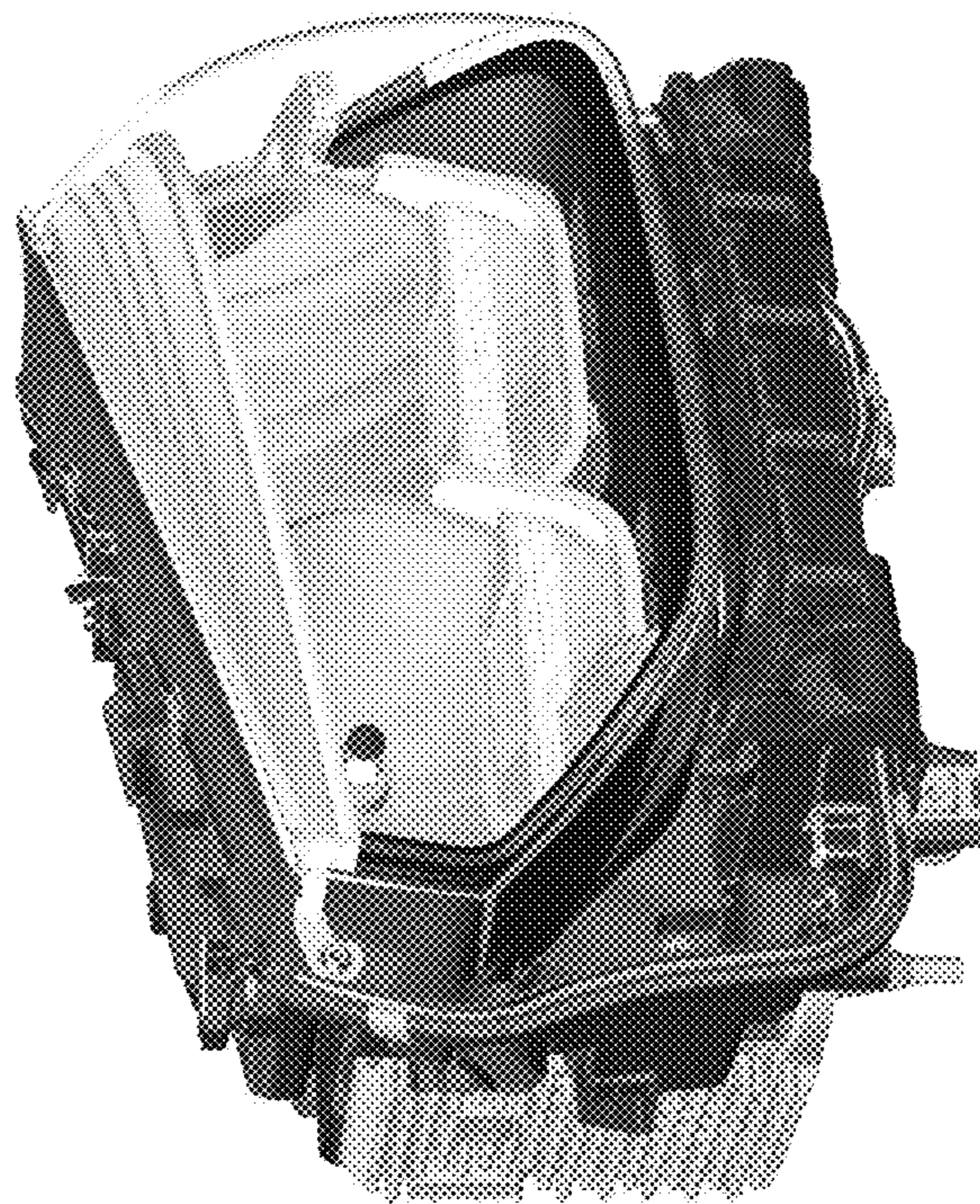


Fig. 3

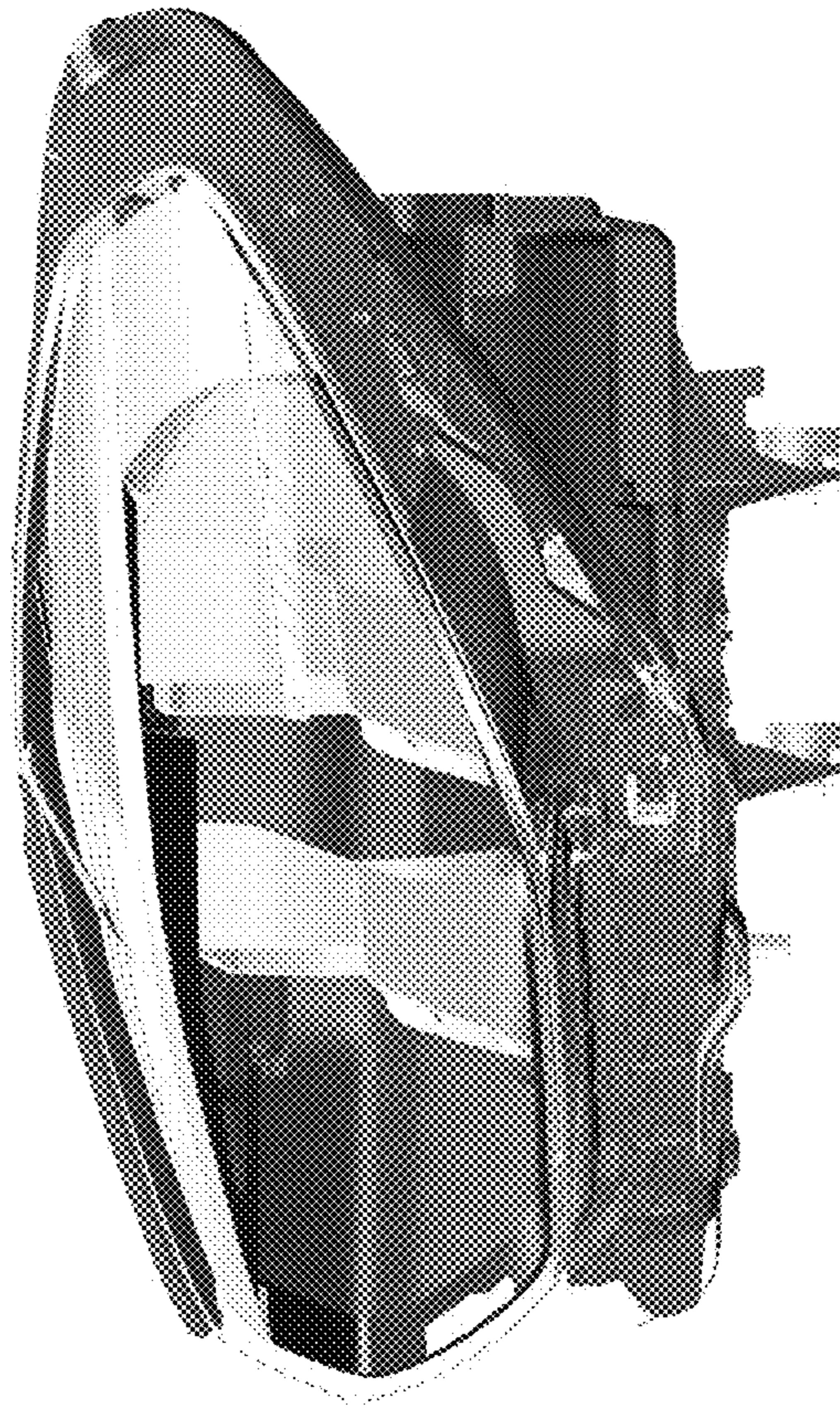


Fig. 4



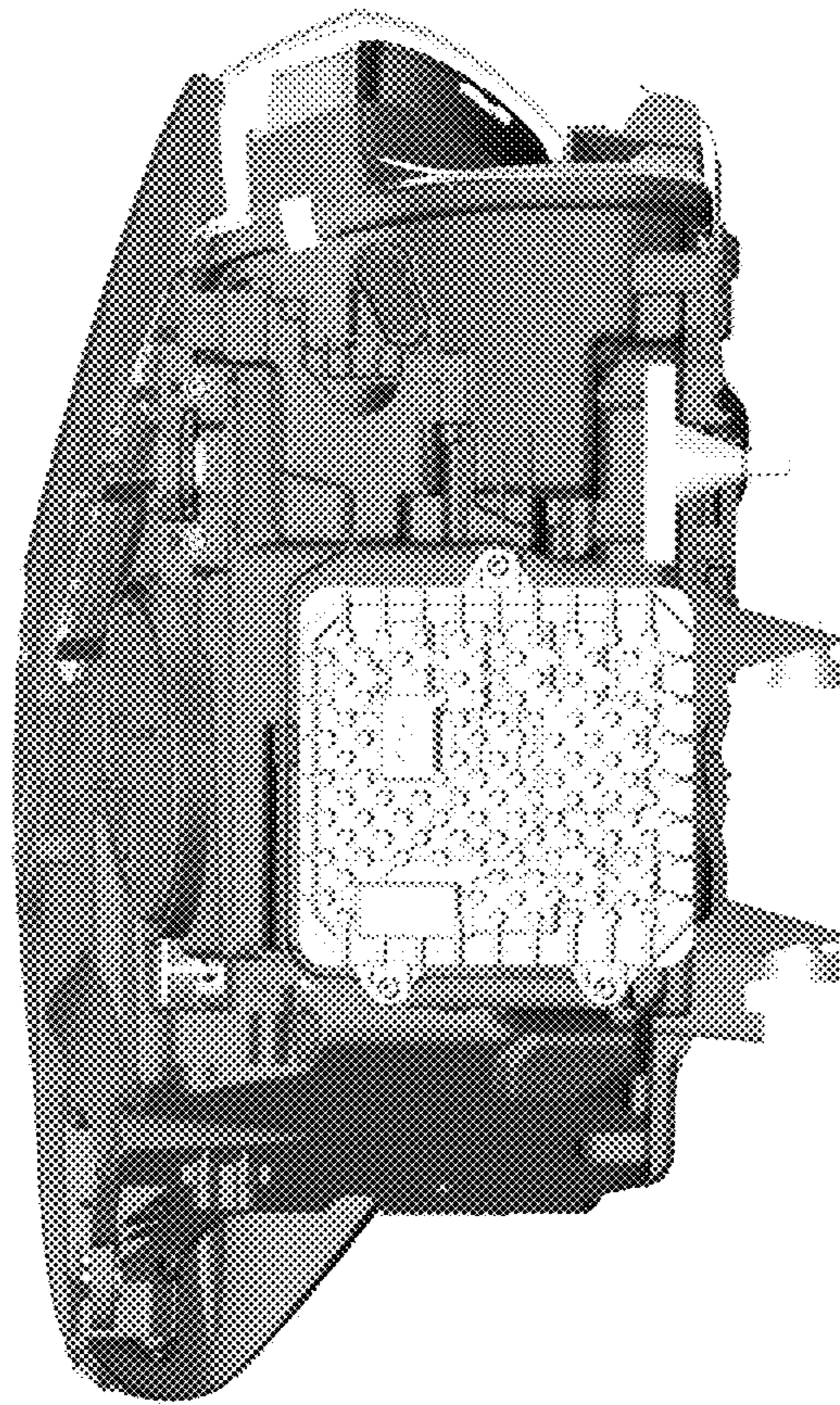


Fig. 5

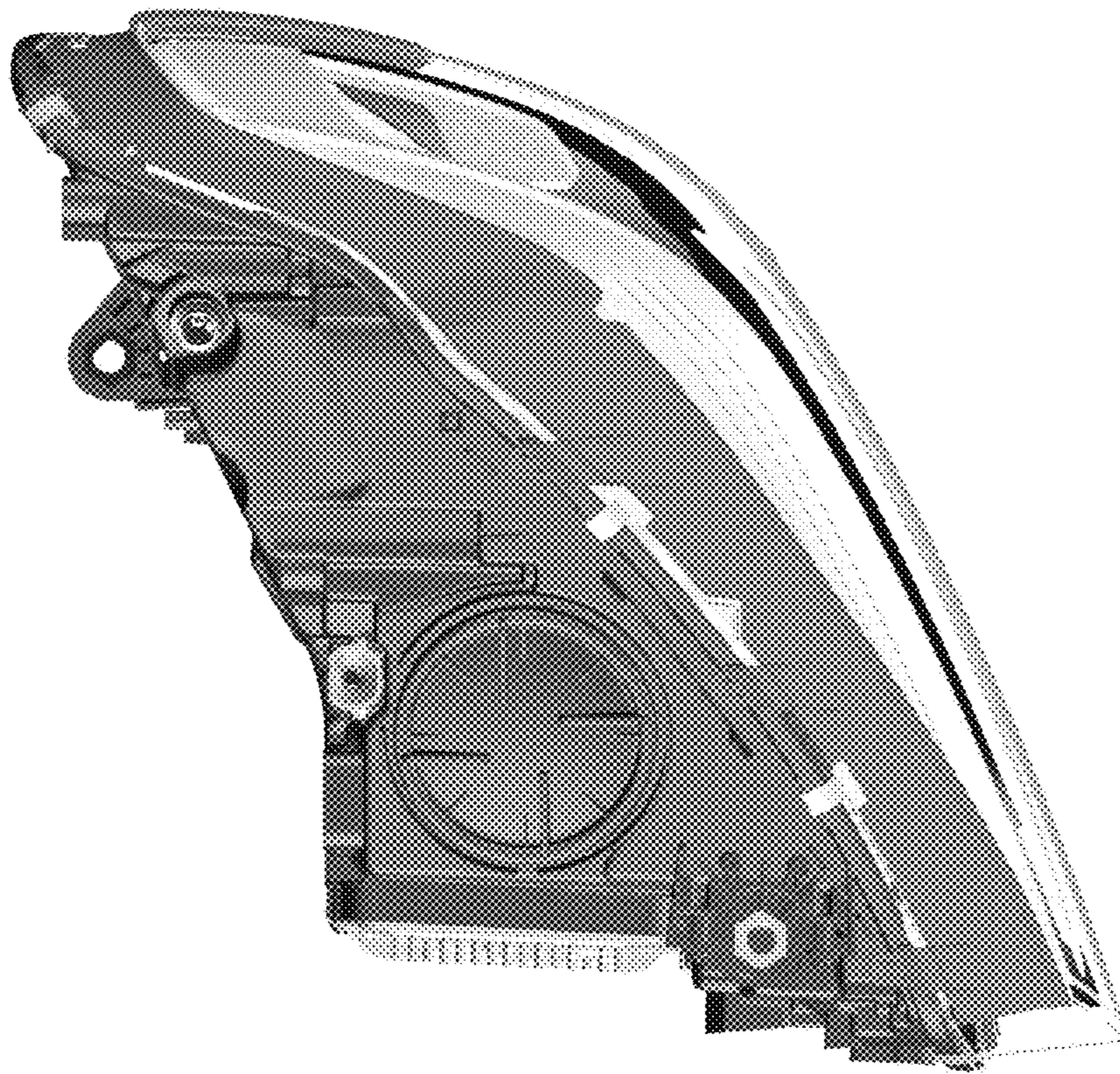


Fig. 6



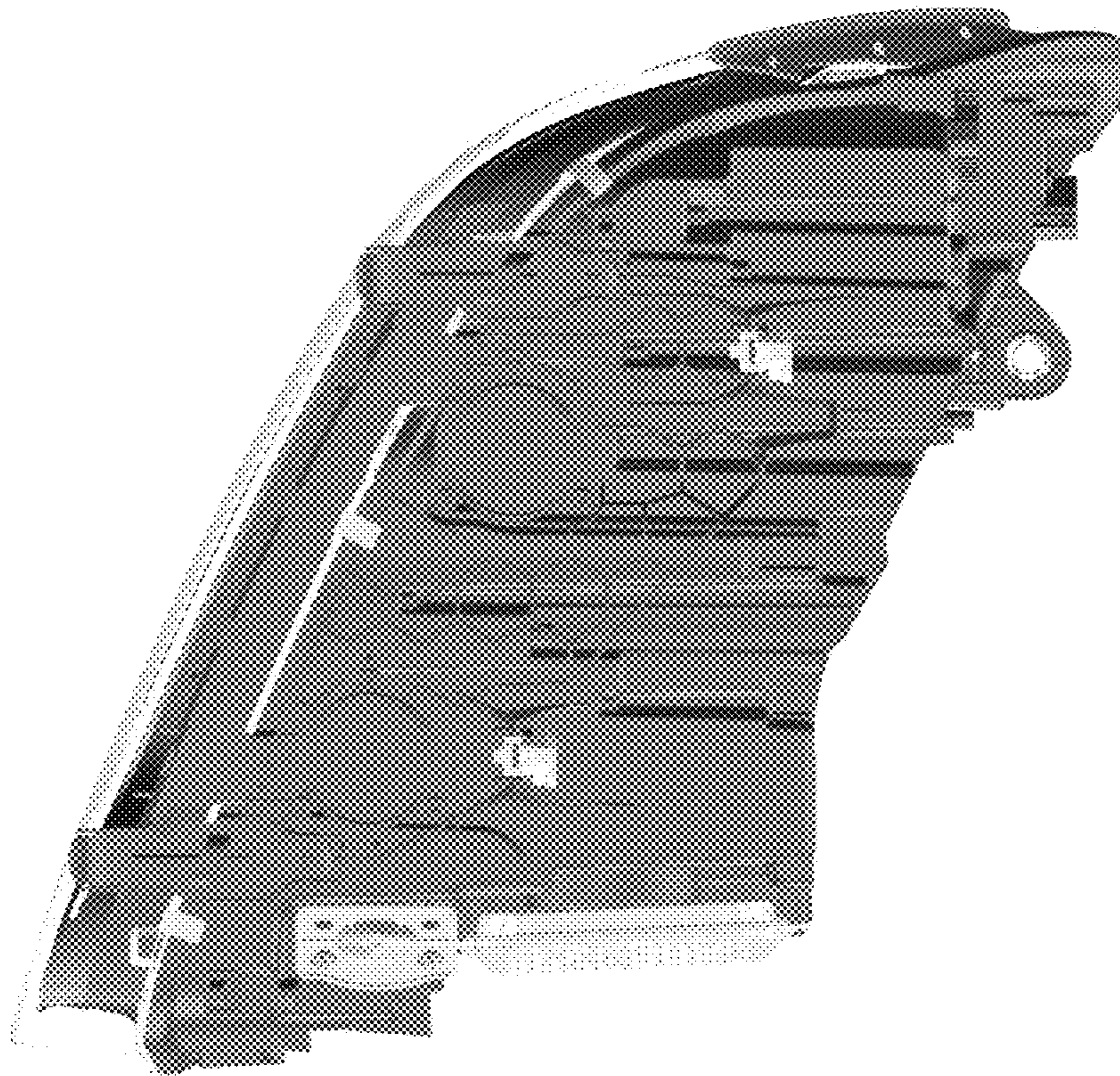


Fig. 7

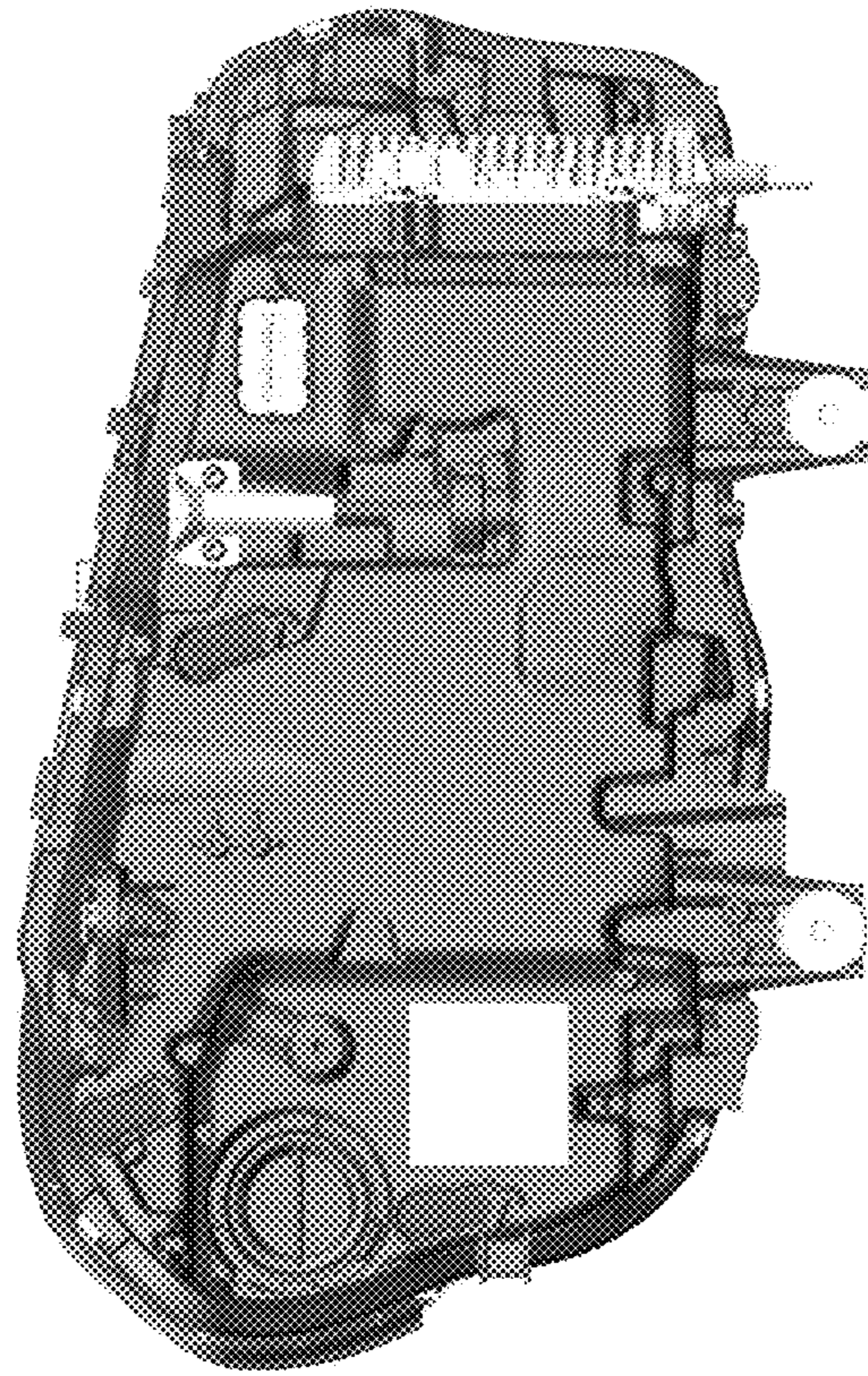


Fig. 8