



US00D844858S

(12) **United States Design Patent** (10) **Patent No.:** **US D844,858 S**
Hawes et al. (45) **Date of Patent:** **** Apr. 2, 2019**

(54) **DRAINAGE COMPONENT**

(71) Applicant: **Marshalls Mono Limited**, Elland (GB)
(72) Inventors: **Martin Christopher Hawes**, Elland (GB); **Christopher Mark Lamb**, Elland (GB)
(73) Assignee: **Marshalls Mono Limited**, Elland, West Yorkshire (GB)

(**) Term: **15 Years**
(21) Appl. No.: **29/648,678**
(22) Filed: **May 23, 2018**

Related U.S. Application Data

(62) Division of application No. 29/592,221, filed on Jan. 27, 2017.

(30) **Foreign Application Priority Data**

Jul. 27, 2016 (EM) 003321595

(51) **LOC (11) Cl.** **25-01**

(52) **U.S. Cl.**
USPC **D25/114**

(58) **Field of Classification Search**
USPC D25/113–118, 138, 152–157
(Continued)

(56) **References Cited**

U.S. PATENT DOCUMENTS

511,249 A * 12/1893 Oudin E04B 2/14
52/606
1,477,258 A * 12/1923 Gilbert E04B 2/14
138/115

(Continued)

FOREIGN PATENT DOCUMENTS

EM 001942459-0001 * 1/2012
EM 003189711-0005 * 6/2016

(Continued)

OTHER PUBLICATIONS

https://cms.esi.info/Media/documents/38030_1502200184899.pdf Aug. 8, 2017 (Year: 2017).*

Primary Examiner — Leanne Was-Englehart
(74) *Attorney, Agent, or Firm* — Downs Rachlin Martin PLLC

(57) **CLAIM**

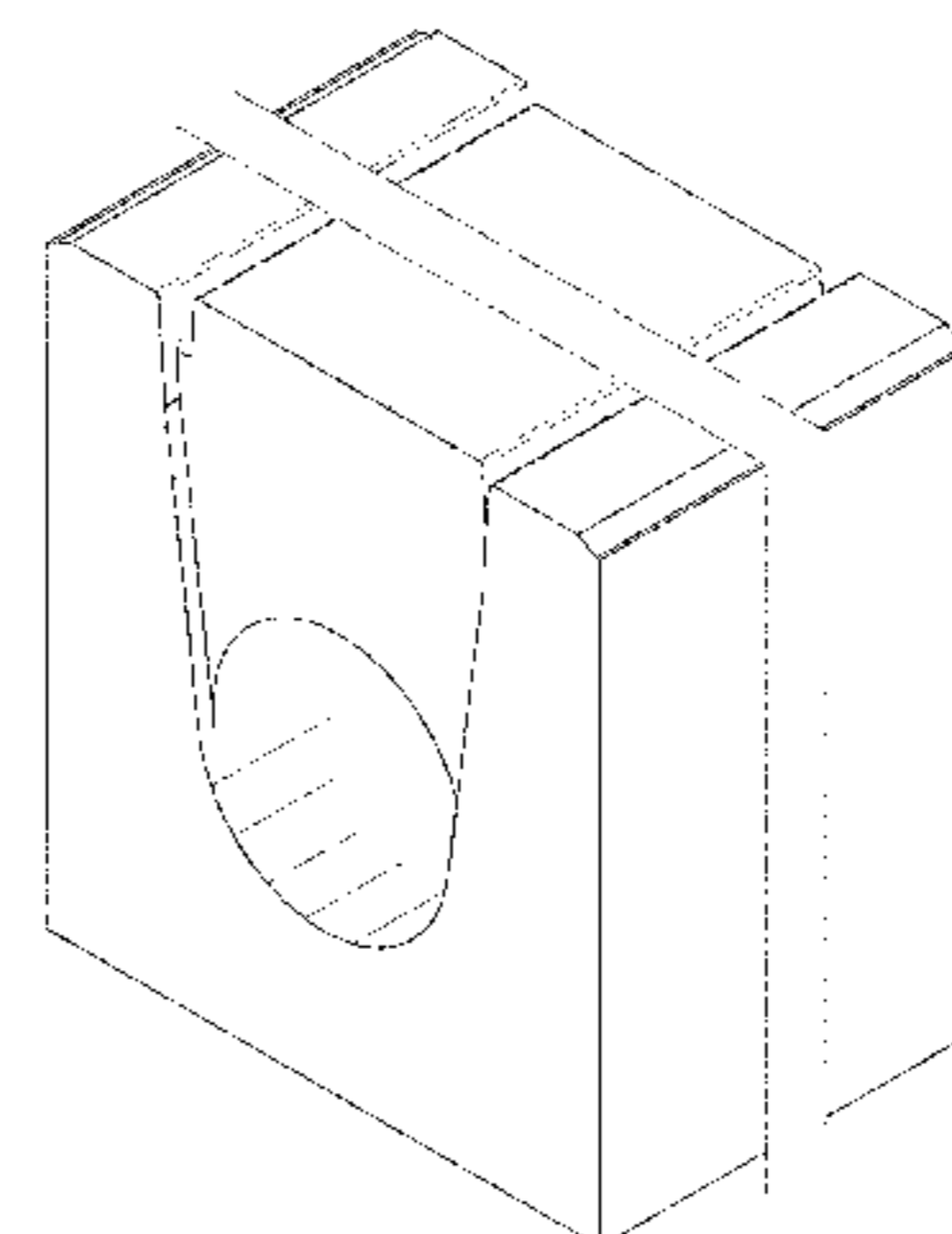
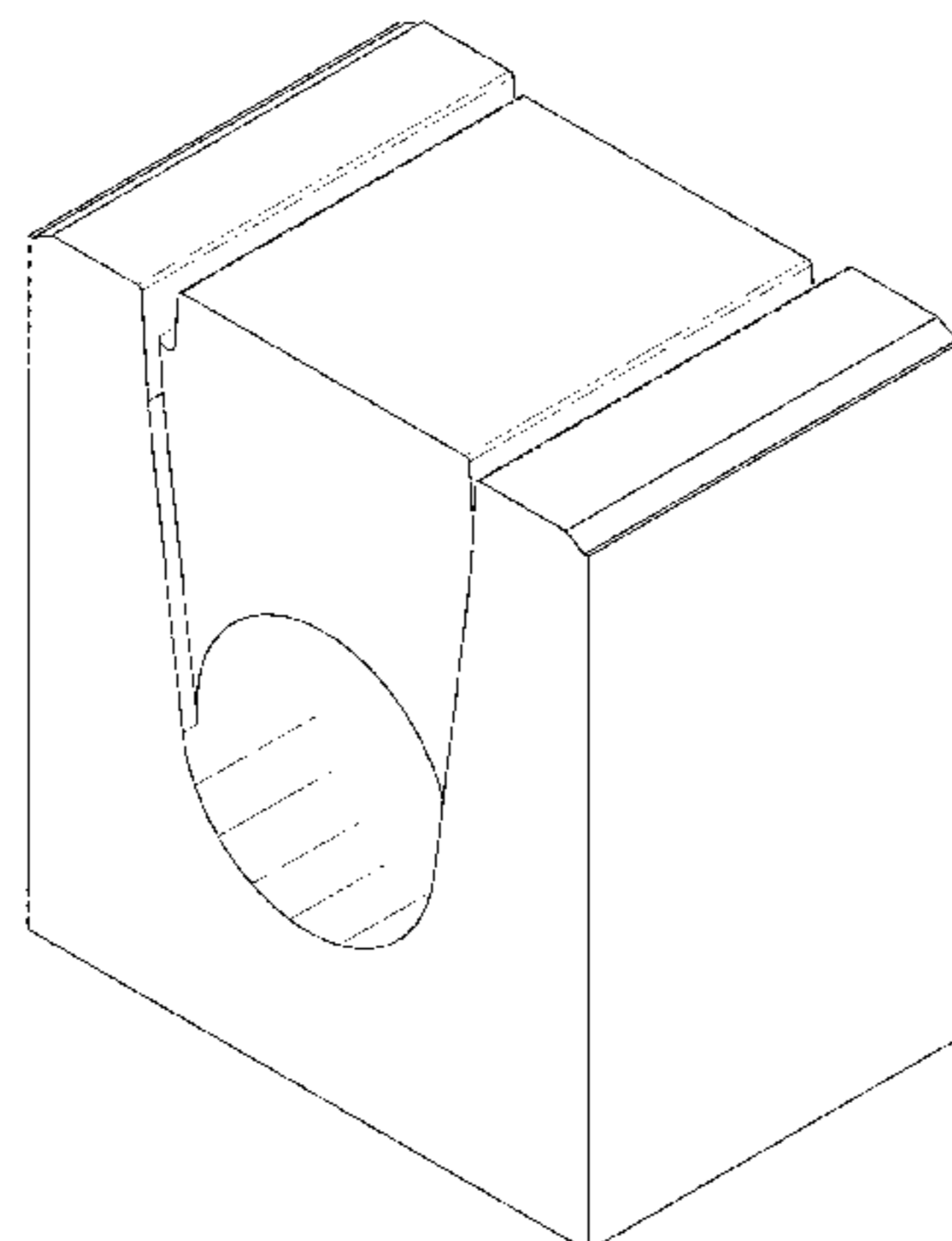
The ornamental design for a drainage component, as shown and described.

DESCRIPTION

FIG. 1 is a perspective view of a first embodiment of a drainage component showing our new design;
FIG. 2 is a front view thereof;
FIG. 3 is a rear side view thereof;
FIG. 4 is a first side view thereof;
FIG. 5 is a second side view thereof;
FIG. 6 is a top view thereof;
FIG. 7 is a bottom view thereof;
FIG. 8 is a perspective view of a second embodiment of a drainage component showing our new design;
FIG. 9 is a front view of FIG. 8;
FIG. 10 is a rear view of FIG. 8;
FIG. 11 is a first side view of FIG. 8;
FIG. 12 is a second side view of FIG. 8;
FIG. 13 is a top view of FIG. 8; and,
FIG. 14 is a bottom view of FIG. 8.

The second embodiment of the drainage component is shown with a symbolic break in a length of the design, the symbolic break indicated by dash-dot-dash lines and form no part of the claimed design. The appearance of any portion of the drainage component between the dash-dot-dash break lines forms no part of the claimed design.

1 Claim, 14 Drawing Sheets



(58) **Field of Classification Search**

CPC E04B 2/14; E04B 2/44; E04B 2/52; E04B
2002/0206; E04B 2002/0232; E04C 2/041
See application file for complete search history.

(56) **References Cited**

U.S. PATENT DOCUMENTS

3,168,828 A * 2/1965 Taylor G01F 15/18
52/27
D219,271 S * 11/1970 Muse D25/117
D224,890 S * 10/1972 Muse D25/117
D225,006 S * 10/1972 Muse D25/117
3,855,752 A * 12/1974 Aylon E04B 2/52
52/259
3,890,751 A * 6/1975 Caputo E02D 27/42
52/166
D399,577 S * 10/1998 Scales D25/115
5,855,102 A * 1/1999 Chang E04B 2/44
52/309.1
D429,346 S * 8/2000 Martin, Jr. D25/117
D464,442 S * 10/2002 Clark D25/116
D482,800 S * 11/2003 Dice D25/115
D482,801 S * 11/2003 Dice D25/115
D555,810 S * 11/2007 Strand D25/118
2005/0252145 A1 * 11/2005 MacDonald E04B 2/16
52/606

FOREIGN PATENT DOCUMENTS

FR 890499-001 * 1/1990
FR 890499-002 * 1/1990
GB 2023627 * 9/1992
KR 300936357.0000 * 12/2017

* cited by examiner

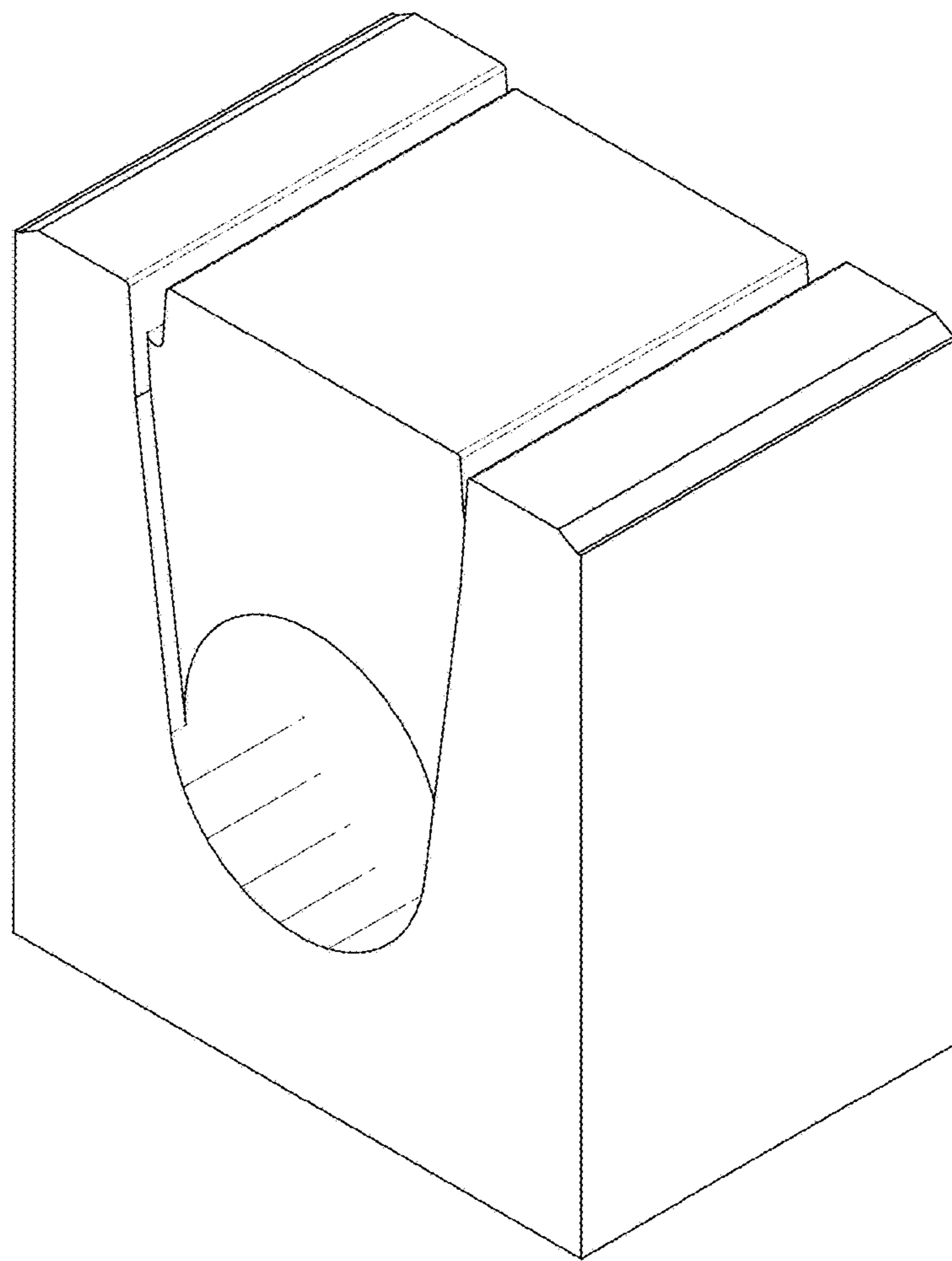


FIG. 1

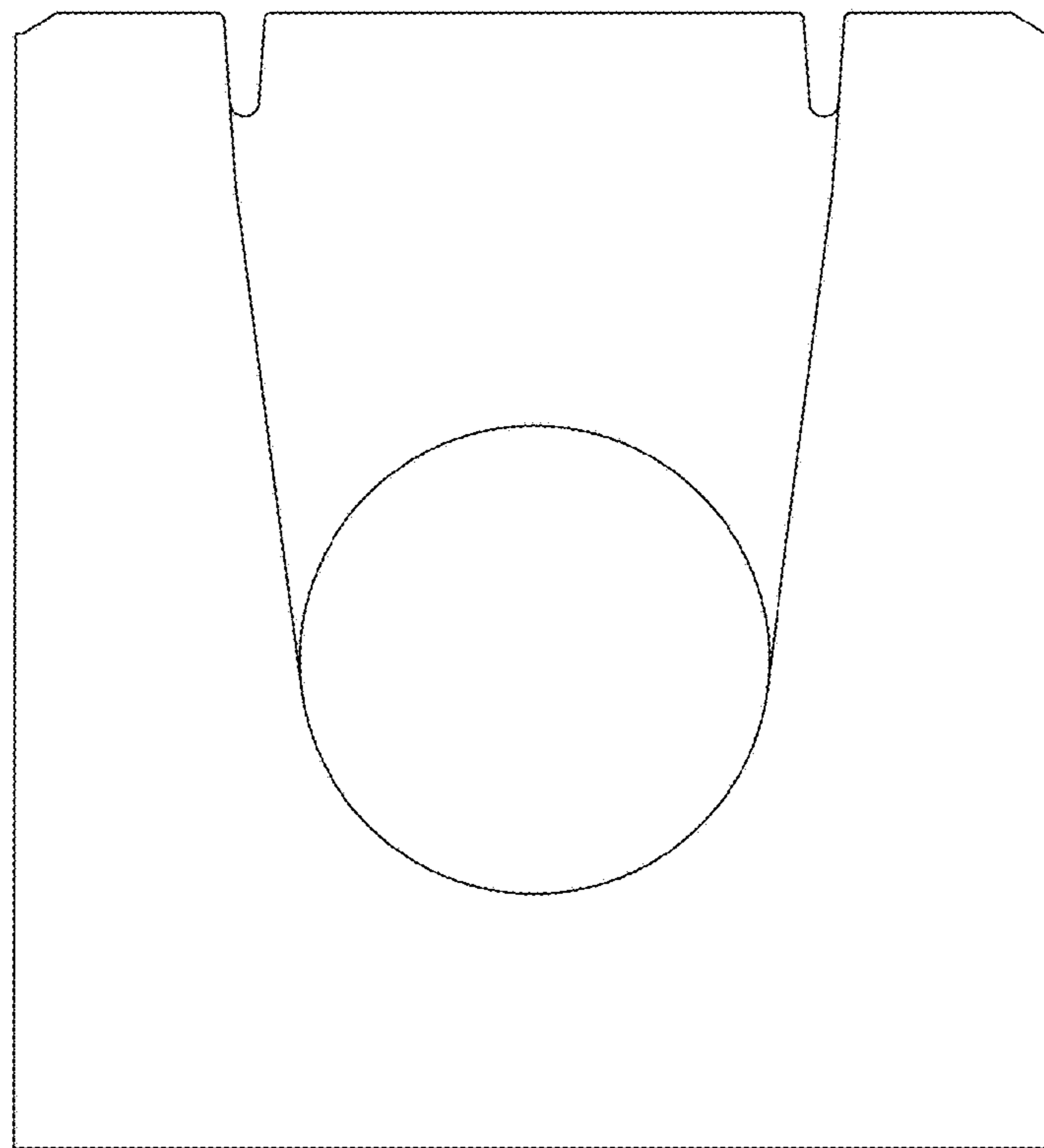


FIG. 2

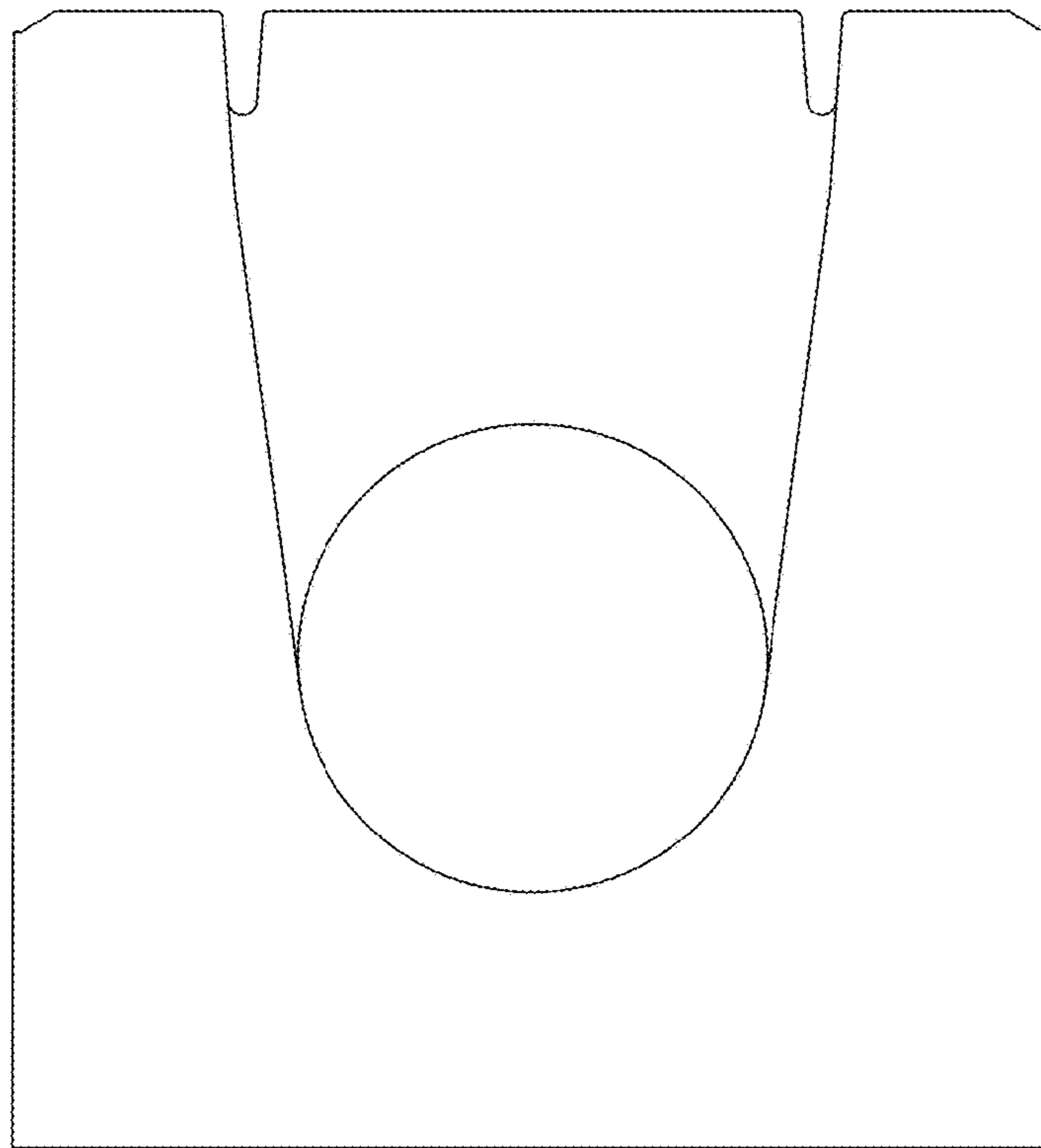


FIG. 3

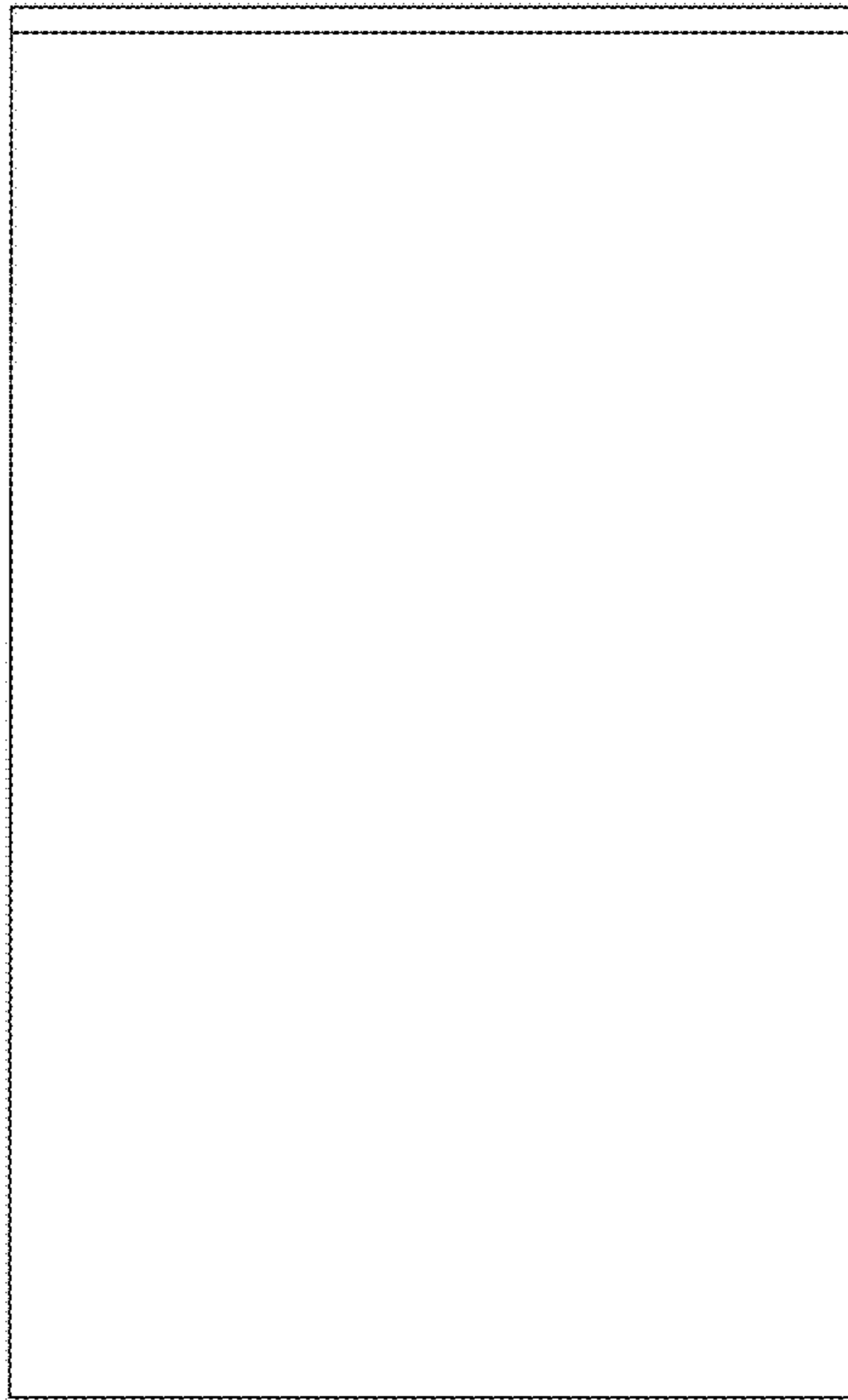


FIG. 4

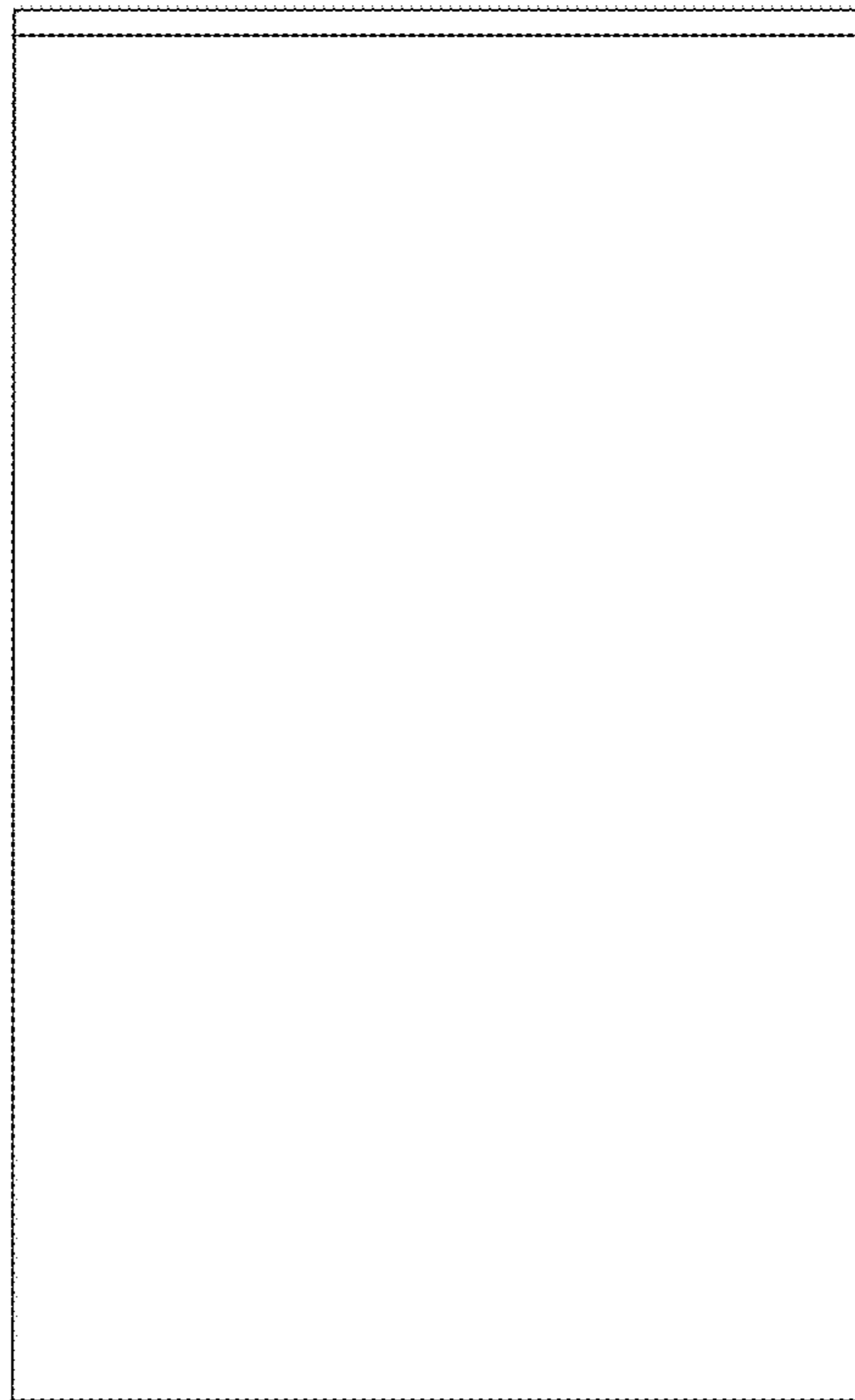


FIG. 5

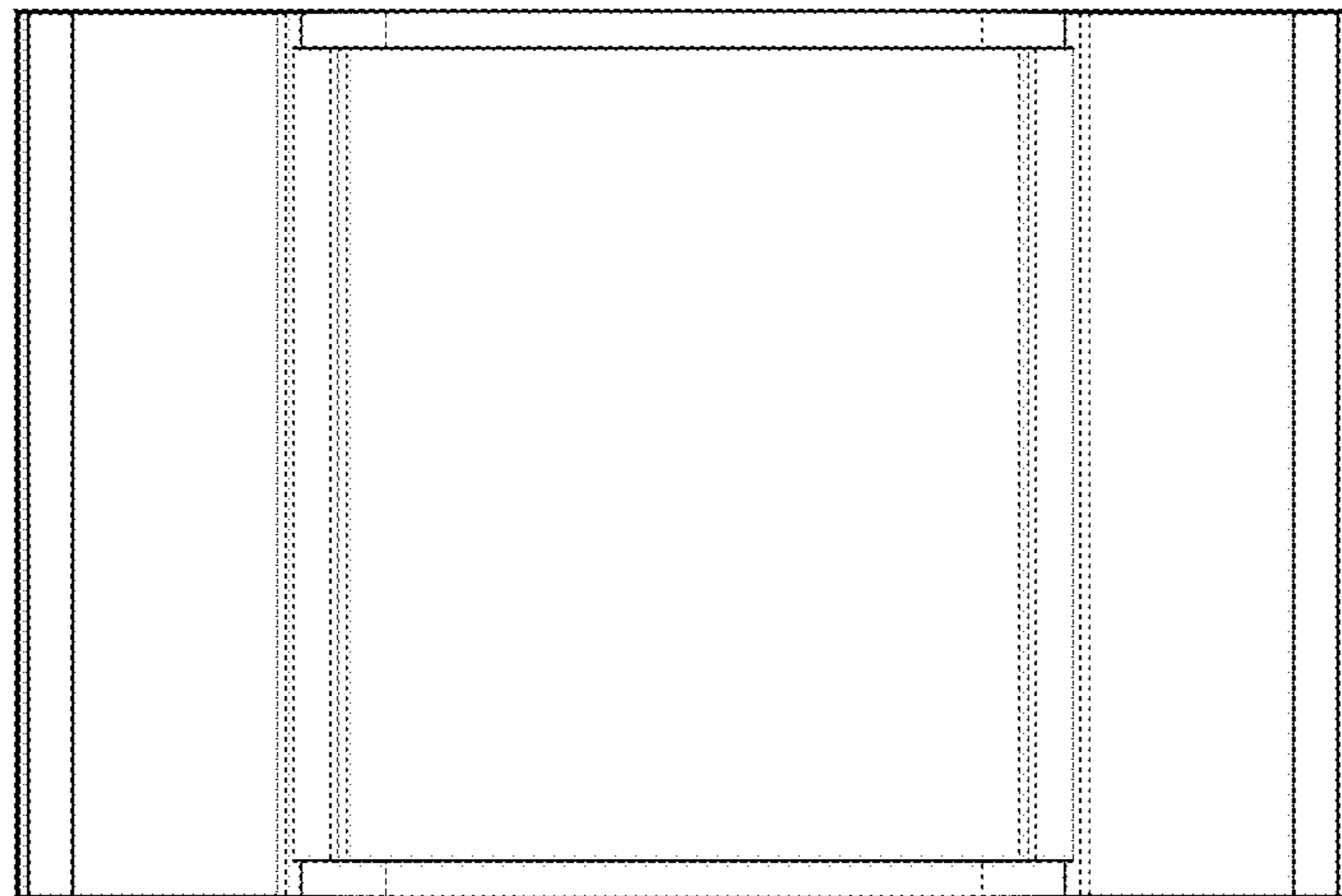


FIG. 6

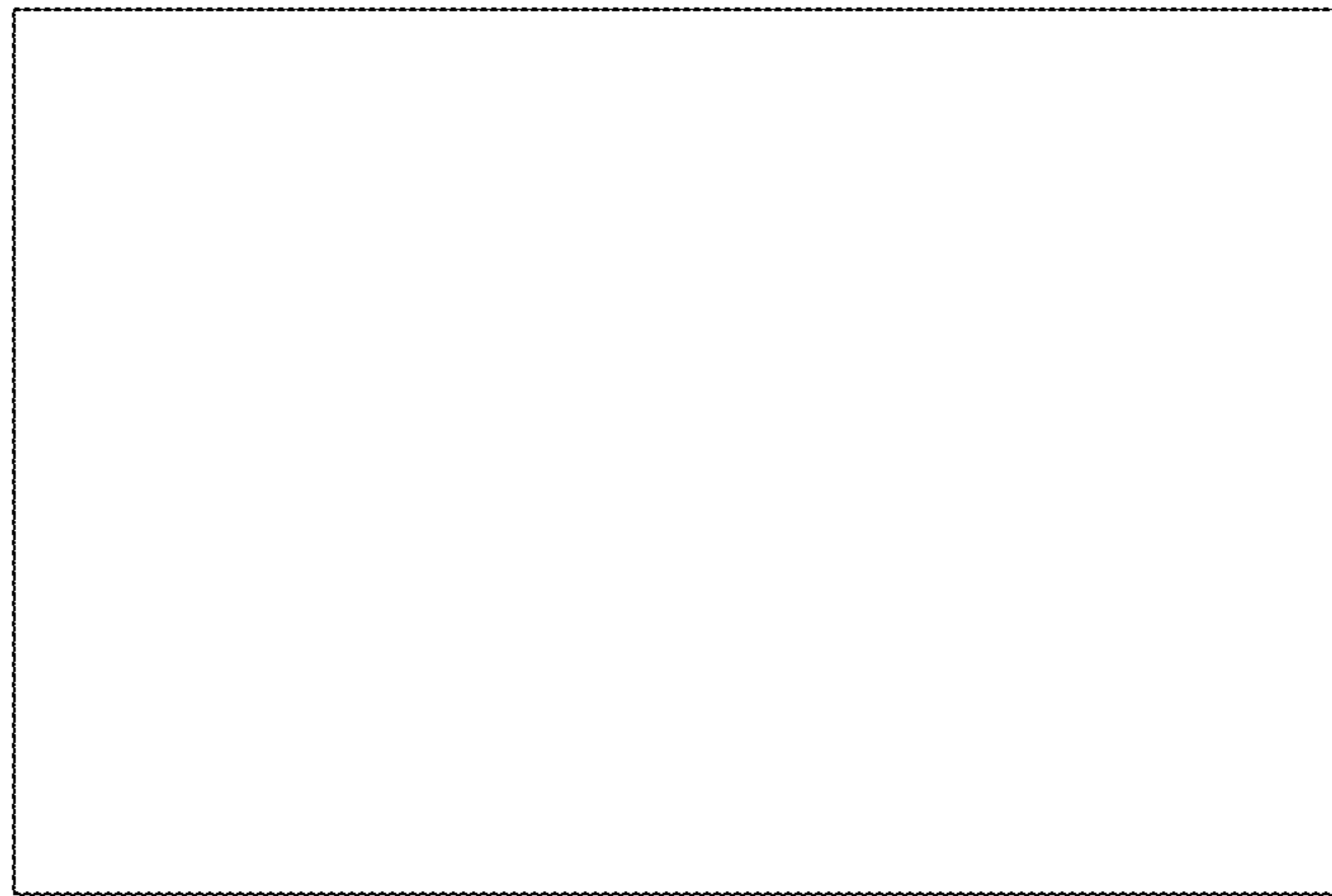


FIG. 7

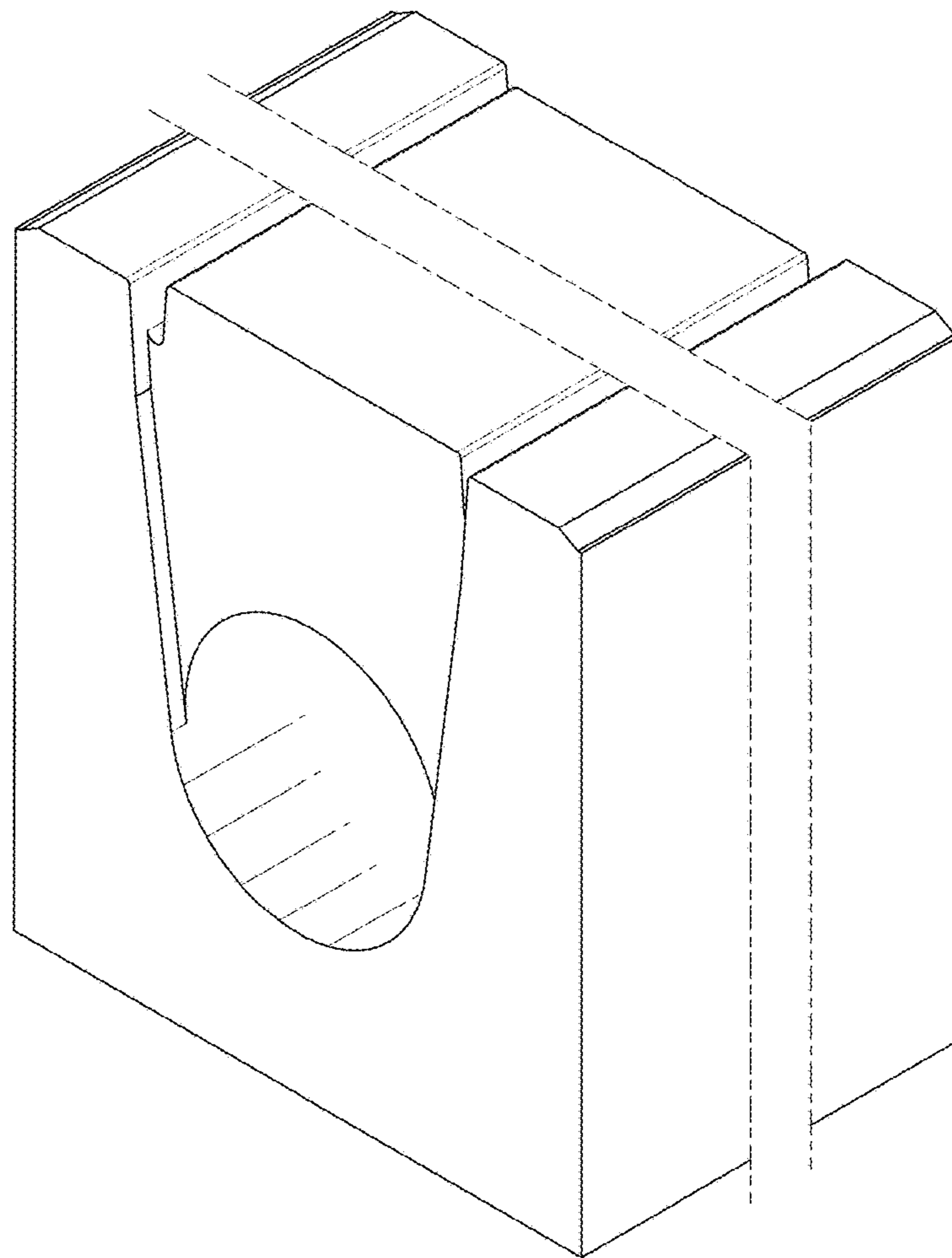


FIG. 8

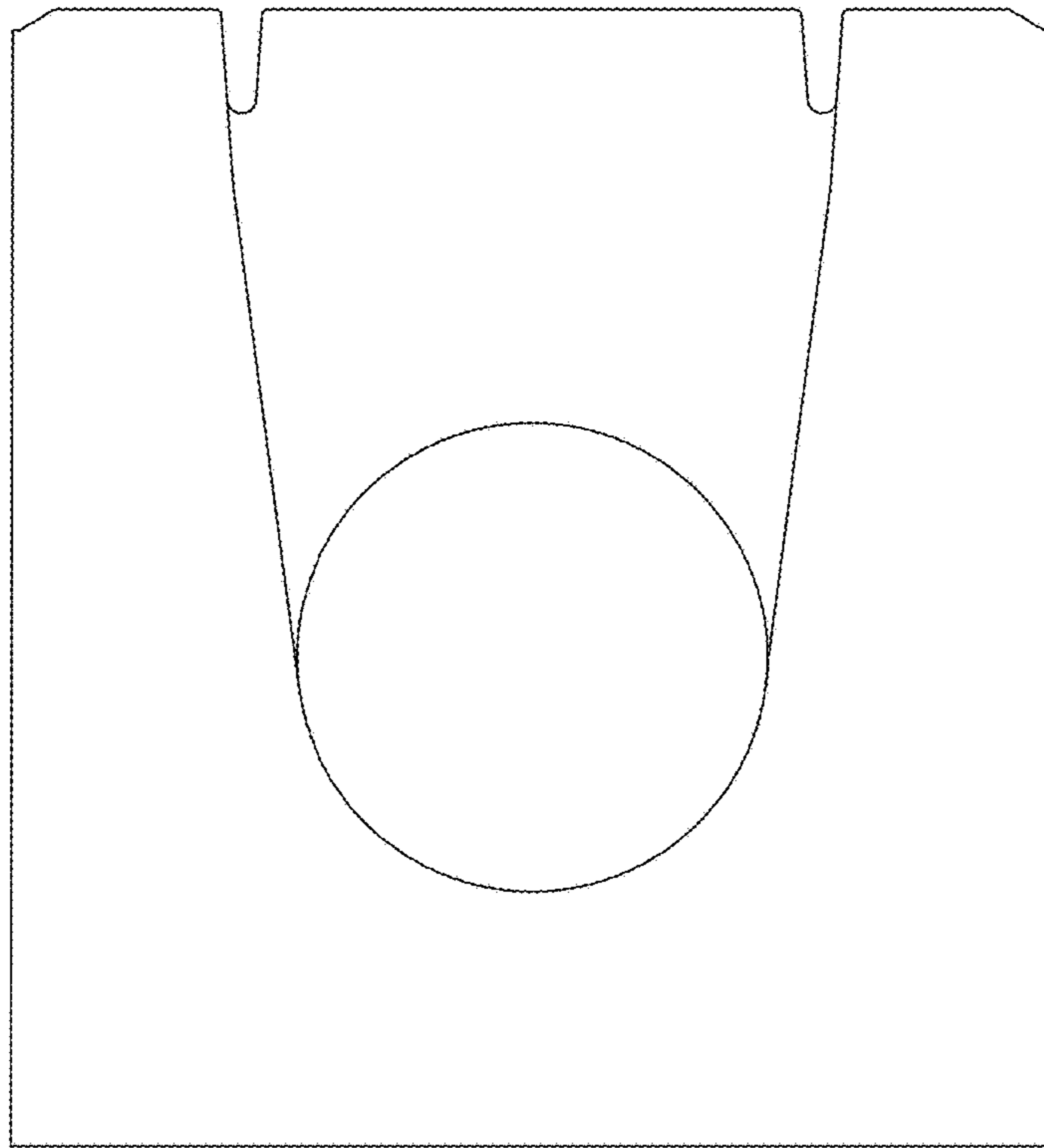


FIG. 9

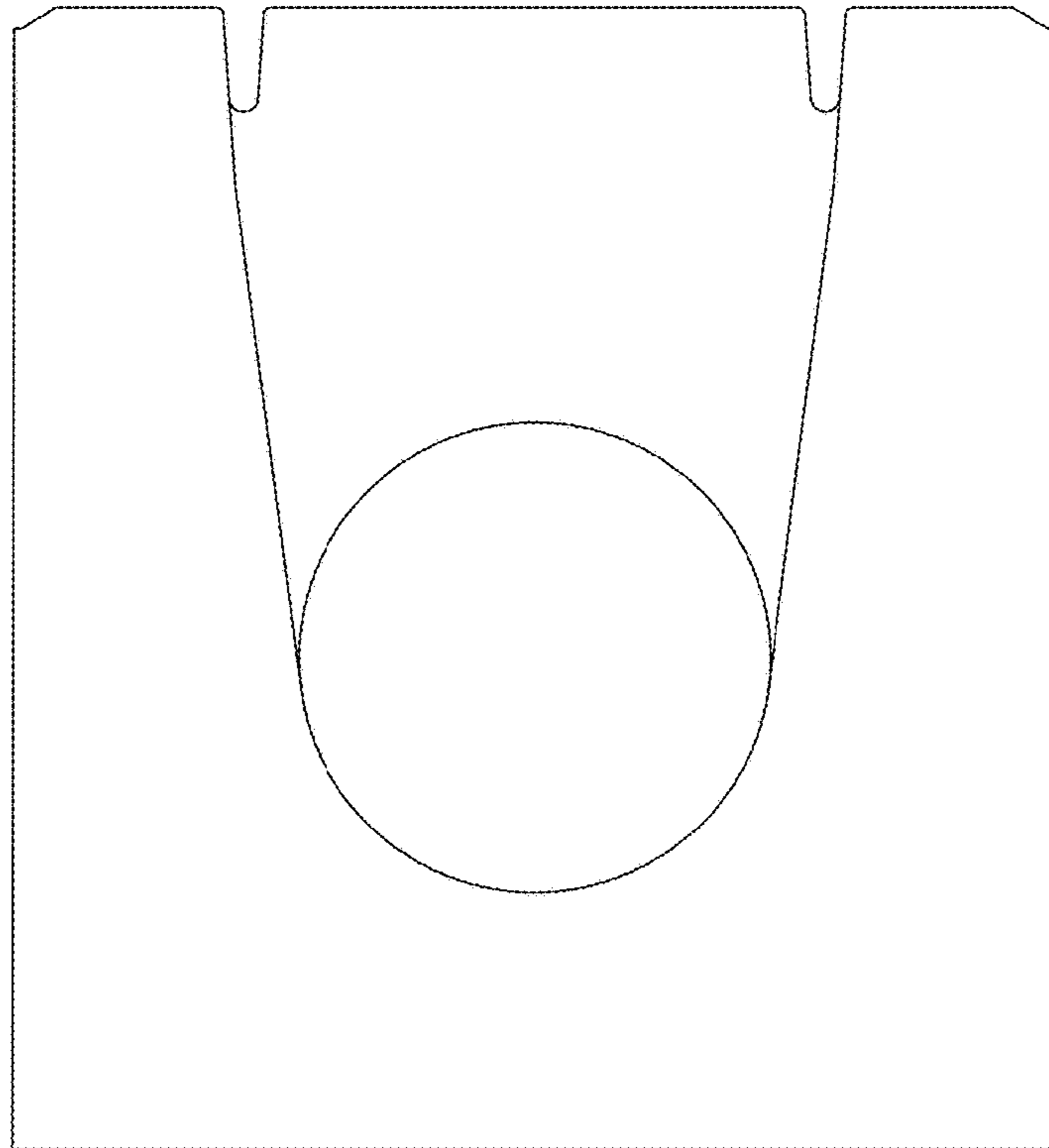


FIG. 10

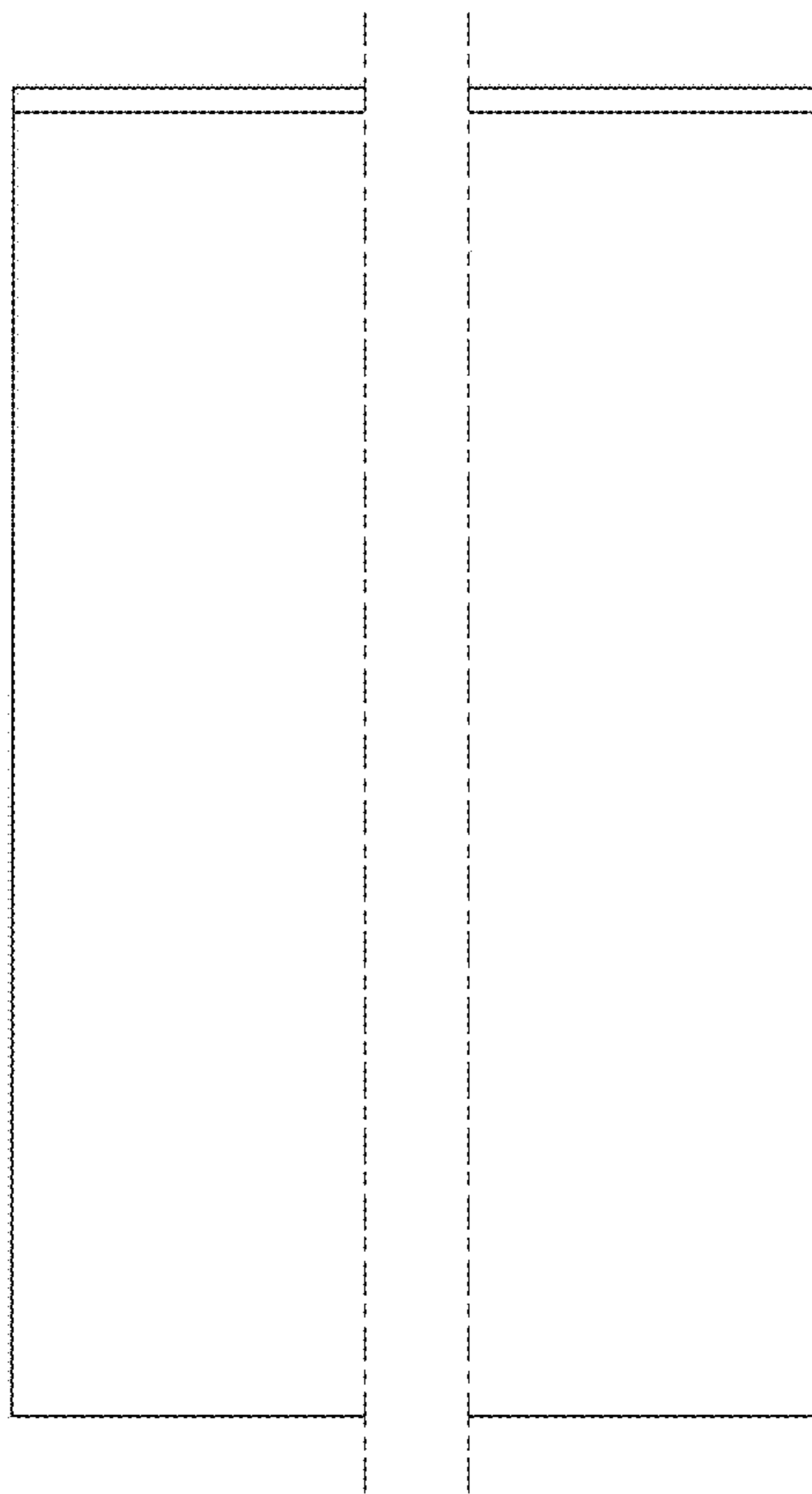


FIG. 11

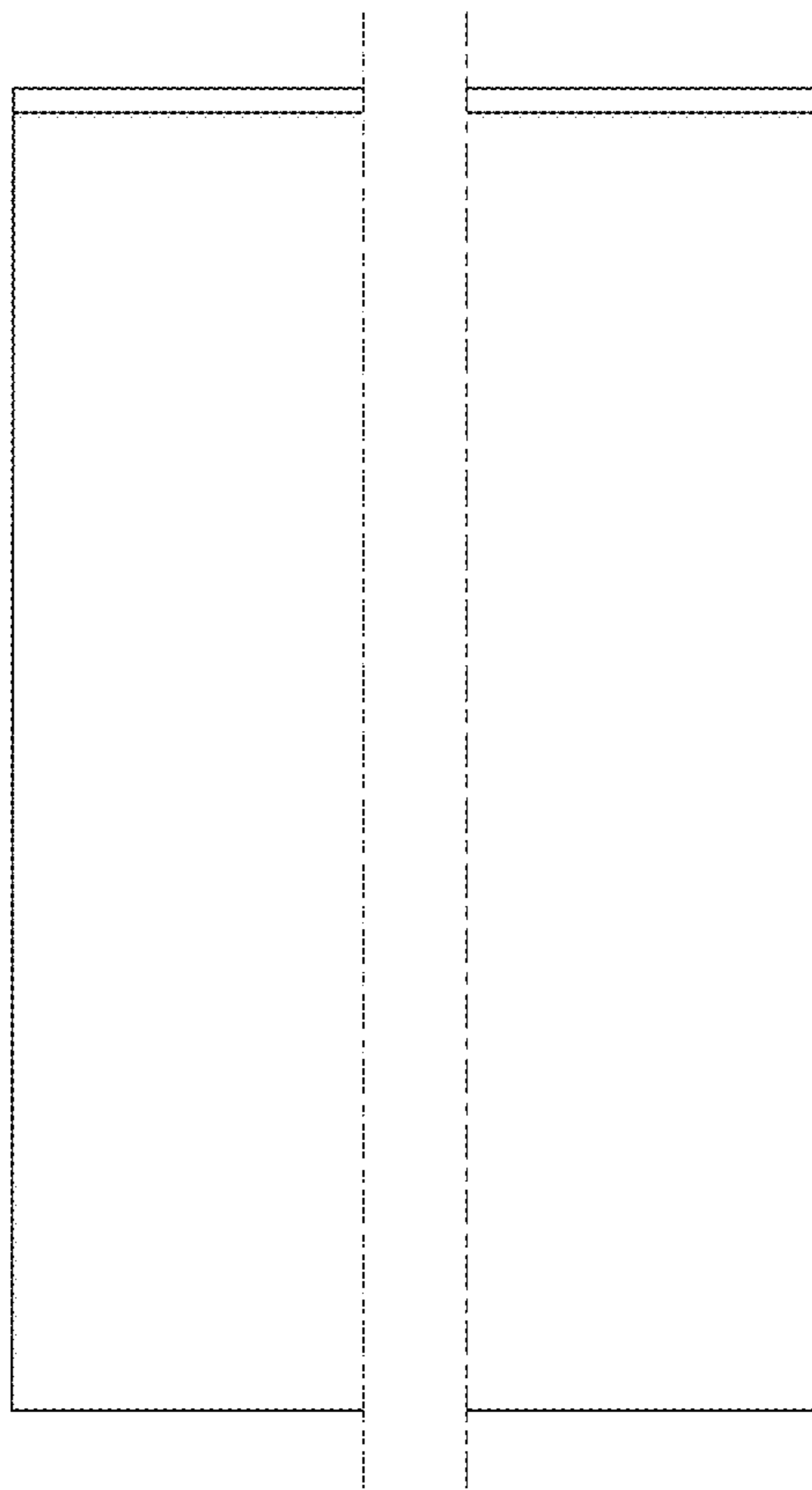


FIG. 12

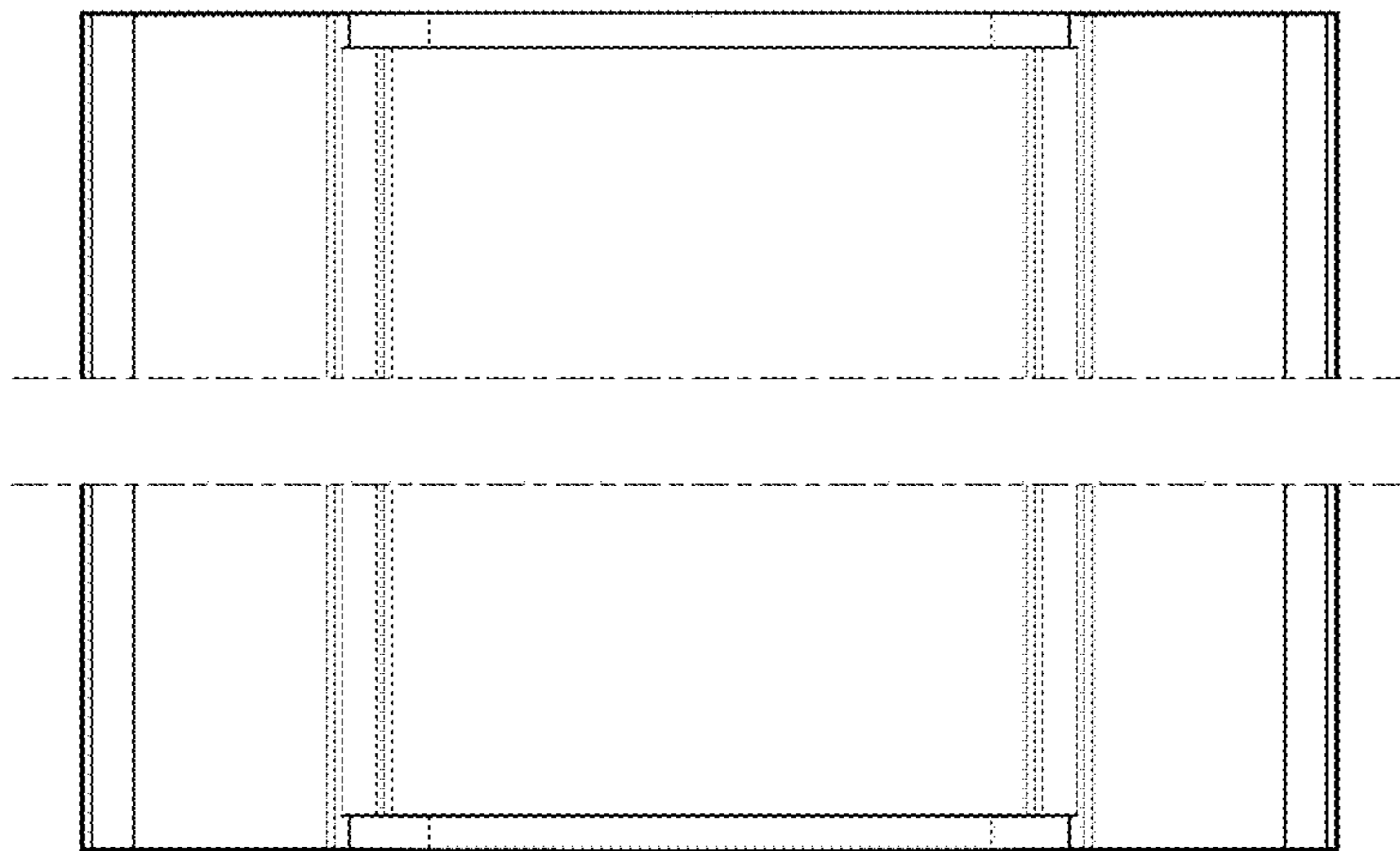


FIG. 13

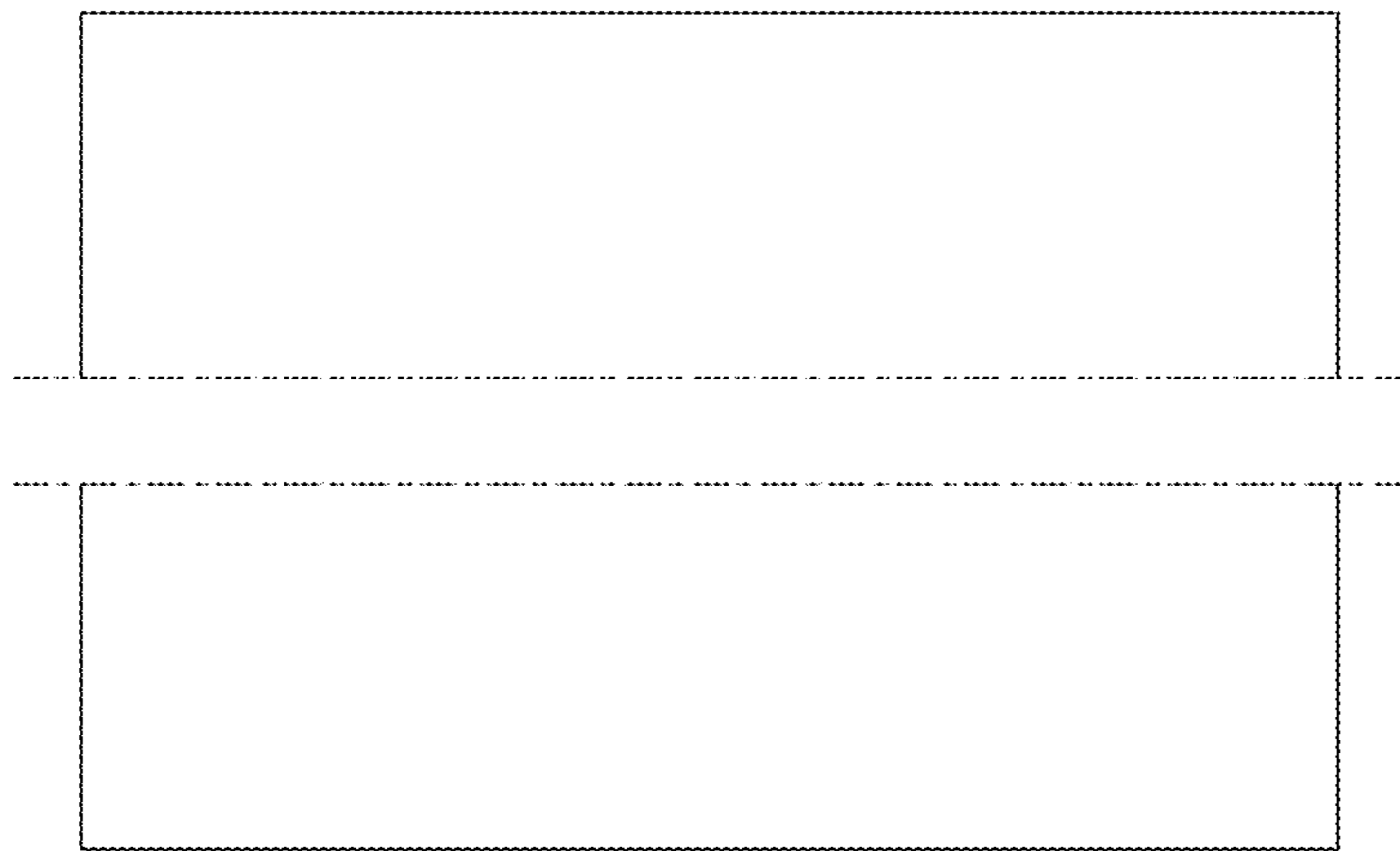


FIG. 14