



US00D844857S

(12) **United States Design Patent**  
**Pegg**

(10) **Patent No.:** **US D844,857 S**

(45) **Date of Patent:** **\*\* Apr. 2, 2019**

(54) **RETAINING WALL CORNER BLOCK**

(71) Applicant: **Western Interlock, Inc.**, Rickreall, OR (US)

(72) Inventor: **Wyatt Pegg**, Rickreall, OR (US)

(73) Assignee: **Western Interlock, Inc.**, Rickreall, OR (US)

(\*\*) Term: **15 Years**

(21) Appl. No.: **29/621,210**

(22) Filed: **Oct. 5, 2017**

(51) **LOC (11) Cl.** ..... **25-01**

(52) **U.S. Cl.**  
USPC ..... **D25/114**

(58) **Field of Classification Search**  
USPC ..... D25/113, 114, 115, 116, 118  
(Continued)

(56) **References Cited**

U.S. PATENT DOCUMENTS

D295,790 S \* 5/1988 Forsberg ..... D25/113  
D352,559 S \* 11/1994 Krueger ..... D25/113  
(Continued)

FOREIGN PATENT DOCUMENTS

AU 200027651 B2 11/2000  
AU 200191446 B2 5/2002  
(Continued)

OTHER PUBLICATIONS

<https://kingsny.com/wallsystems-libertystone/> Mar. 23, 2016 (Year: 2016).\*

(Continued)

*Primary Examiner* — Leanne Was-Englehart

(74) *Attorney, Agent, or Firm* — McKee, Voorhees & Sease, PLC

(57) **CLAIM**

I claim the ornamental design for a retaining wall corner block, substantially as shown and described.

**DESCRIPTION**

FIG. 1 is a perspective view of a first embodiment of a retaining wall corner block, showing a right hand retaining wall corner block, according to the present invention, with structure shown in broken lines not being a part of the claimed invention.

FIG. 2 is a left side elevation view of the corner block shown in FIG. 1.

FIG. 3 is a right-side elevation view of the corner block shown in FIG. 1.

FIG. 4 is a front perspective view of the corner block shown in FIG. 1, with structure shown in broken lines not being a part of the claimed invention.

FIG. 5 is a rear elevation view of the corner block shown in FIG. 1.

FIG. 6 is a top plan view of the corner block shown in FIG. 1.

FIG. 7 is a bottom plan view of the corner block shown in FIG. 1.

FIG. 8 is a perspective view of a second embodiment of a retaining wall corner block, showing a left hand retaining wall corner block, according to the present invention, with structure shown in broken lines not being a part of the claimed invention.

FIG. 9 is a left side elevation view of the corner block shown in FIG. 8.

FIG. 10 is a right-side elevation view of the corner block shown in FIG. 8.

FIG. 11 is a rear elevation view of the corner block shown in FIG. 8.

FIG. 12 is a front perspective view of the corner block shown in FIG. 8, according to the present invention, with structure shown in broken lines not being a part of the claimed invention.

FIG. 13 is a top plan view of the corner block shown in FIG. 8; and,

(Continued)

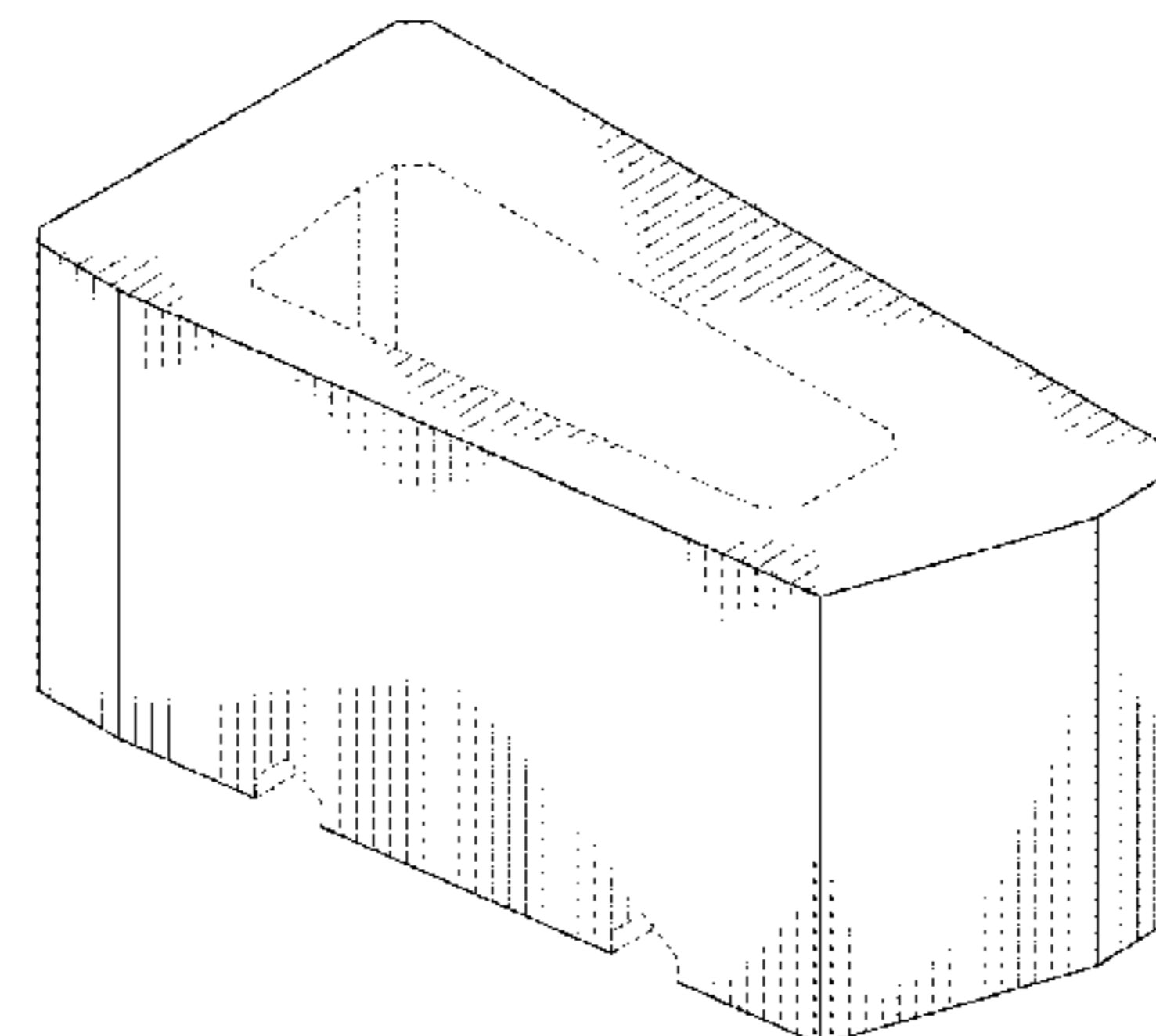
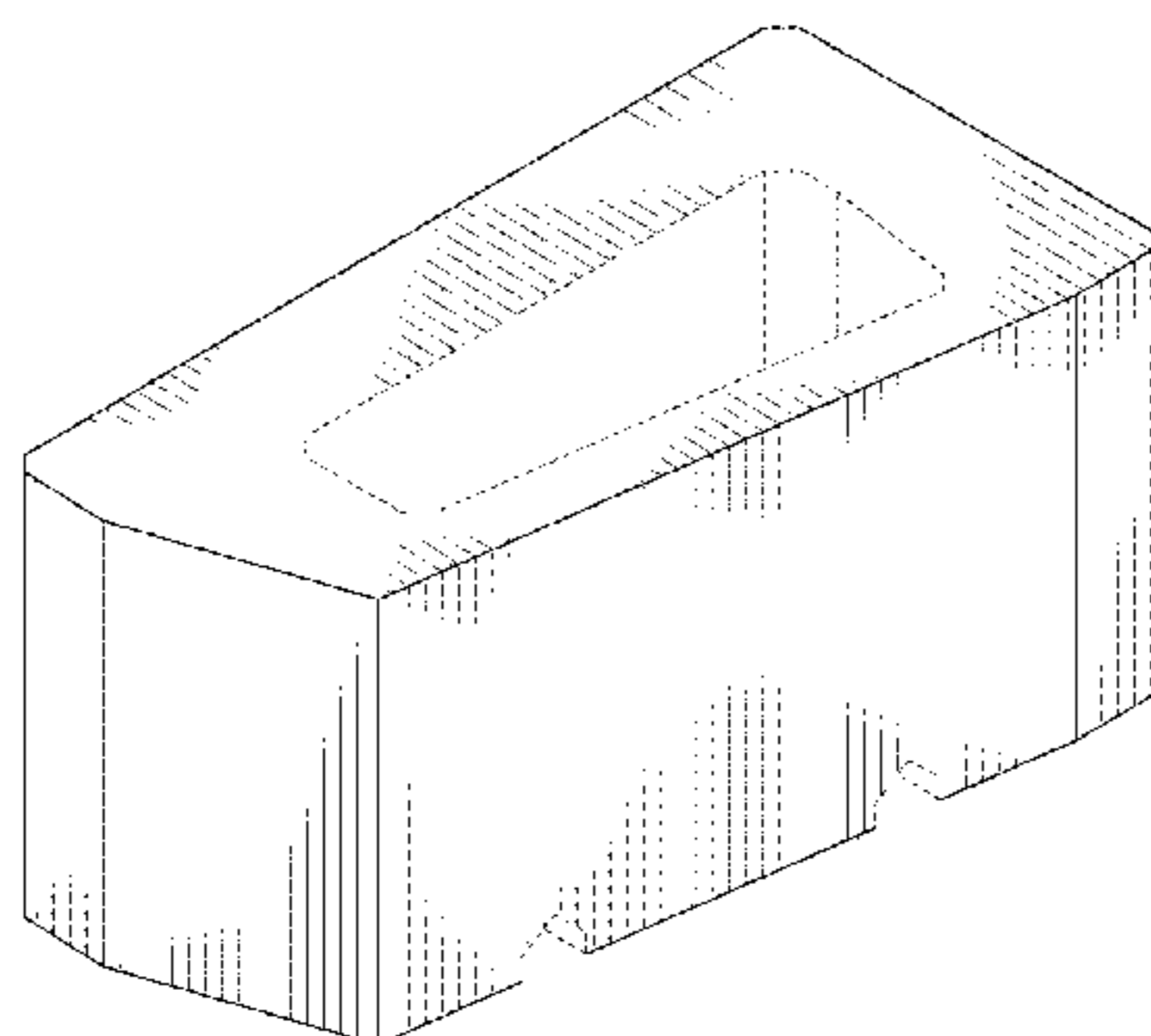


FIG. 14 is a bottom plan view of the corner block shown in FIG. 8.

**1 Claim, 8 Drawing Sheets**

(58) **Field of Classification Search**

CPC ... E02D 29/02; E02D 29/025; E02D 29/0266;  
E02D 29/0225; E02D 29/0233; E04C  
1/395; E04B 2002/0217; E04B 2002/0245  
See application file for complete search history.

(56) **References Cited**

U.S. PATENT DOCUMENTS

5,622,456 A 4/1997 Risi et al.  
6,149,352 A \* 11/2000 MacDonald ..... E02D 29/0266  
405/284  
6,178,715 B1 1/2001 Pacitto et al.  
6,398,458 B1 6/2002 Pacitto et al.  
6,829,867 B2 12/2004 Gresser et al.  
6,854,231 B2 \* 2/2005 MacDonald ..... E02D 29/0283  
405/284  
7,360,970 B2 4/2008 Woolford et al.  
7,963,727 B1 6/2011 Wauhop  
D663,858 S \* 7/2012 MacDonald ..... D25/113  
D671,657 S \* 11/2012 MacDonald ..... D25/113

D685,502 S \* 7/2013 MacDonald ..... D25/113  
8,684,633 B2 4/2014 Rainey  
D708,765 S \* 7/2014 MacDonald ..... D25/113  
8,882,398 B2 11/2014 Bender et al.  
2002/0001509 A1 \* 1/2002 Hong ..... E02D 29/025  
405/286  
2006/0051166 A1 3/2006 Lee  
2011/0217127 A1 \* 9/2011 MacDonald ..... E02D 29/025  
405/284  
2015/0197912 A1 7/2015 Parsons  
2016/0369472 A1 12/2016 Ianello et al.

FOREIGN PATENT DOCUMENTS

AU 2003241633 A1 9/2003  
AU 2006249237 A1 6/2007  
CA 2700908 4/2009  
CA 2854940 10/2016  
EP 1600563 A3 11/2005  
KR 20060026098 A 3/2006  
KR 3020120000062 \* 1/2012

OTHER PUBLICATIONS

<https://www.lowes.com/pd/Country-Manor-Tan-Charcoal-Retaining-Wall-Block-Common-6-in-x-6-in-Actual-6-in-x-6-in/4570076> Jan. 11, 2016 (Year: 2016).\*

\* cited by examiner

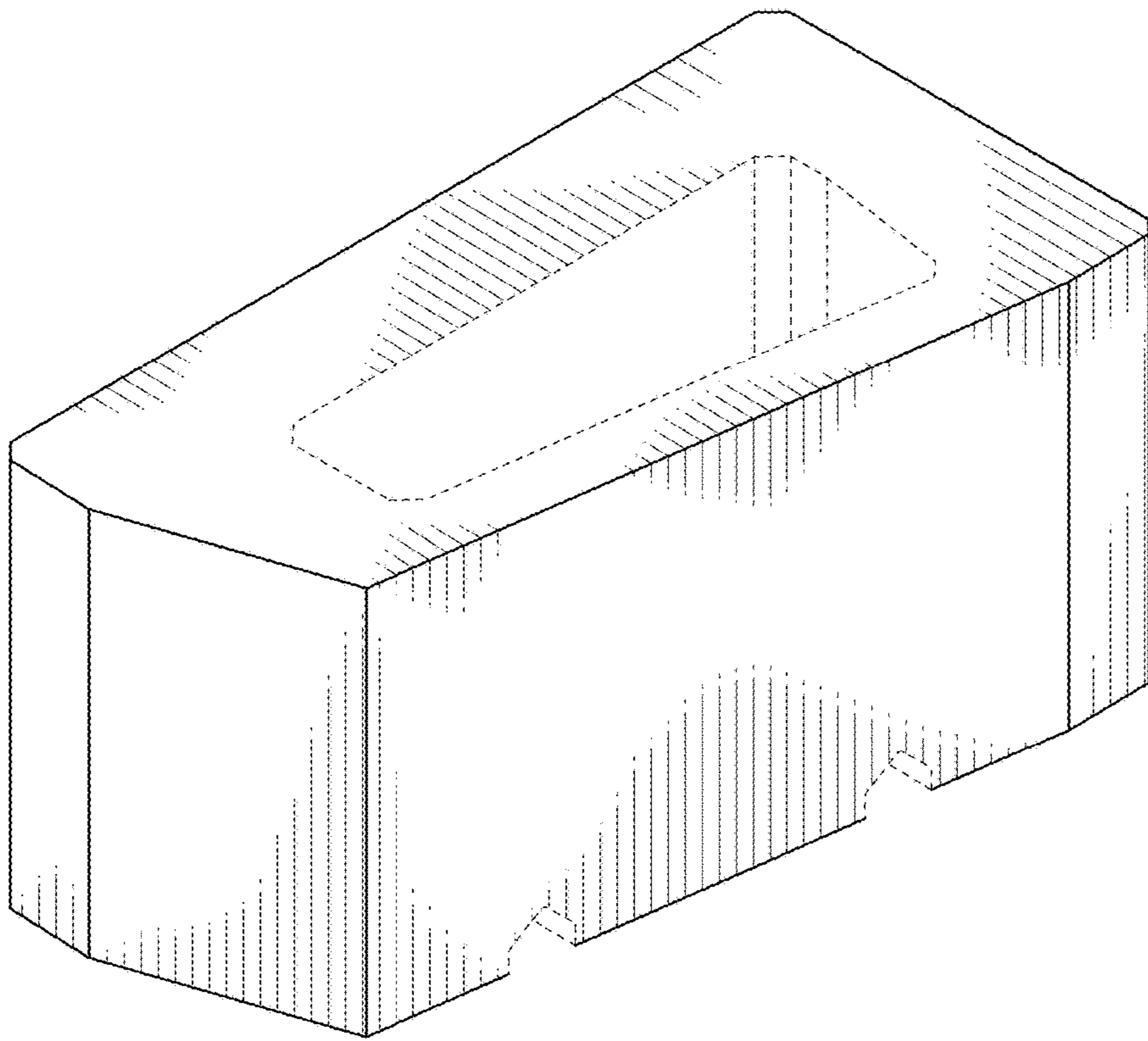


FIG. 1

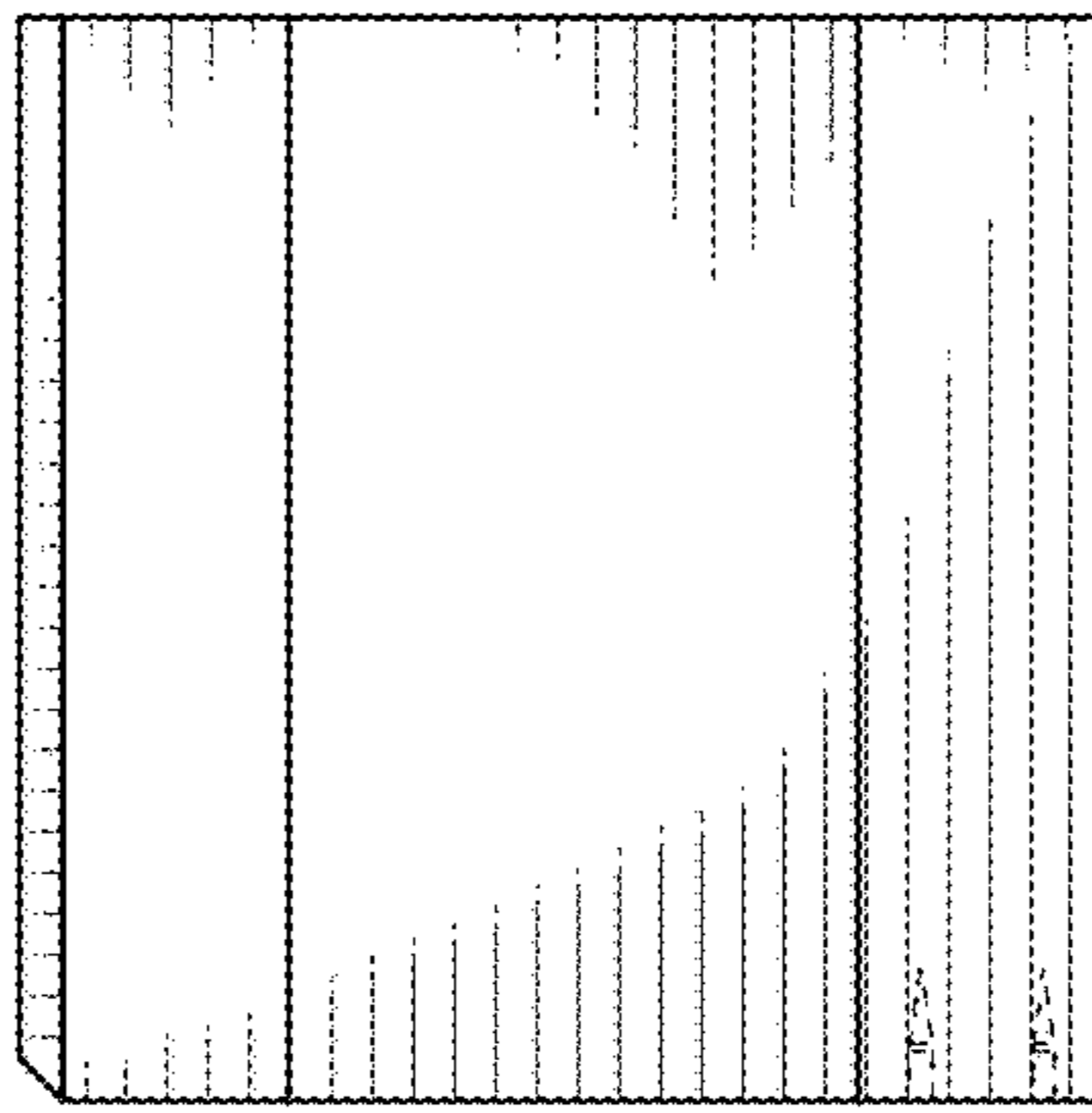


FIG. 2

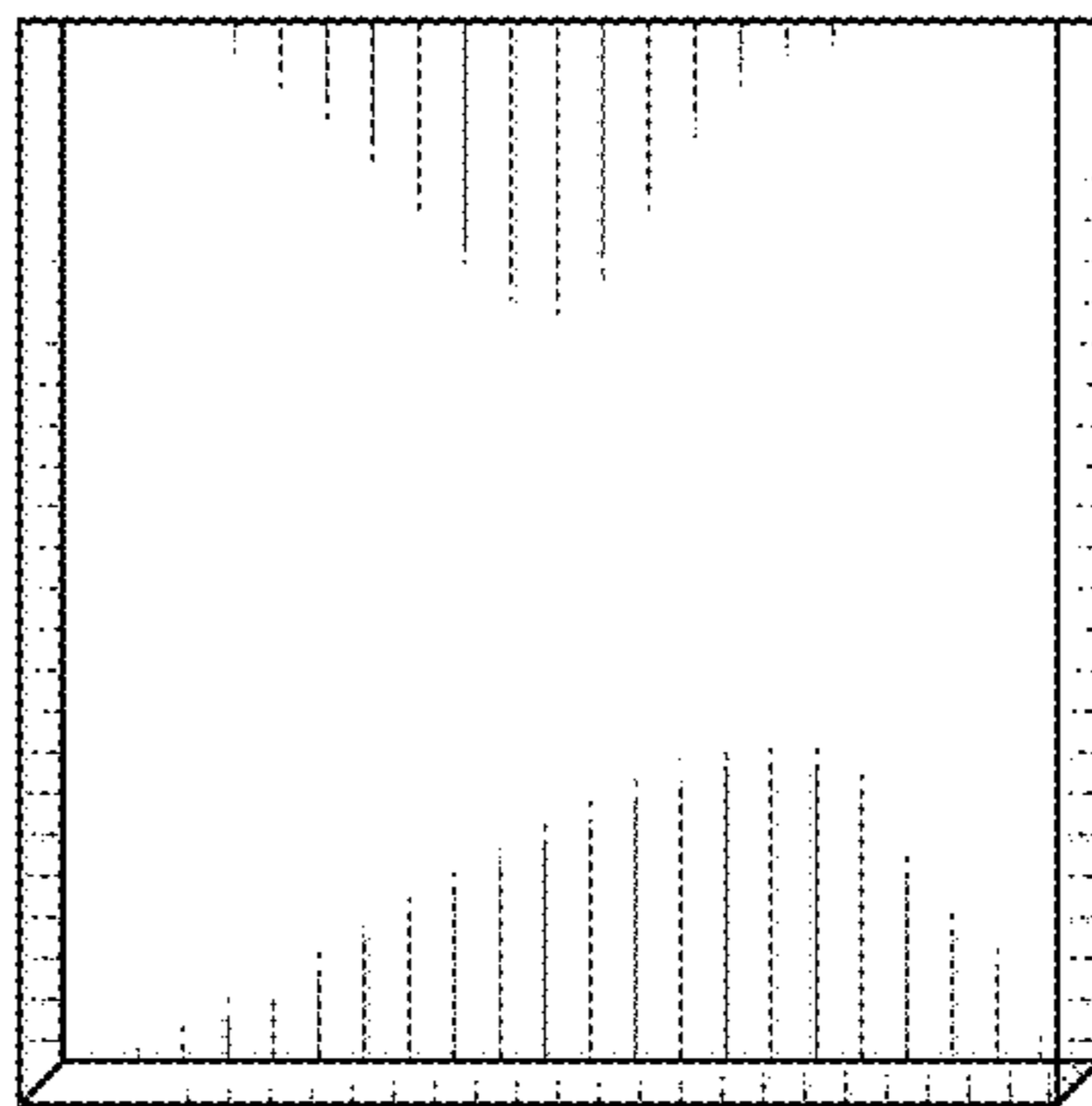


FIG. 3

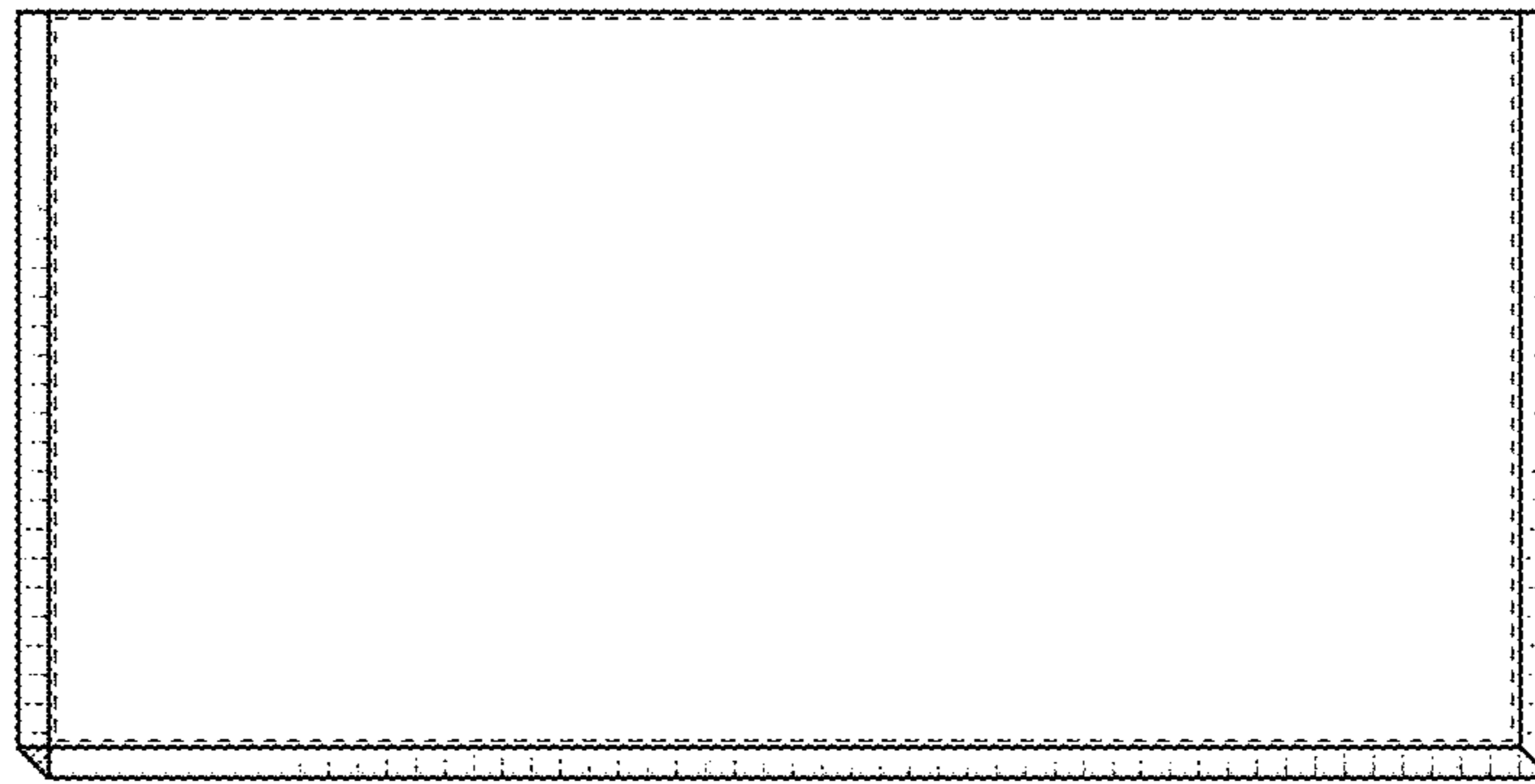


FIG. 4

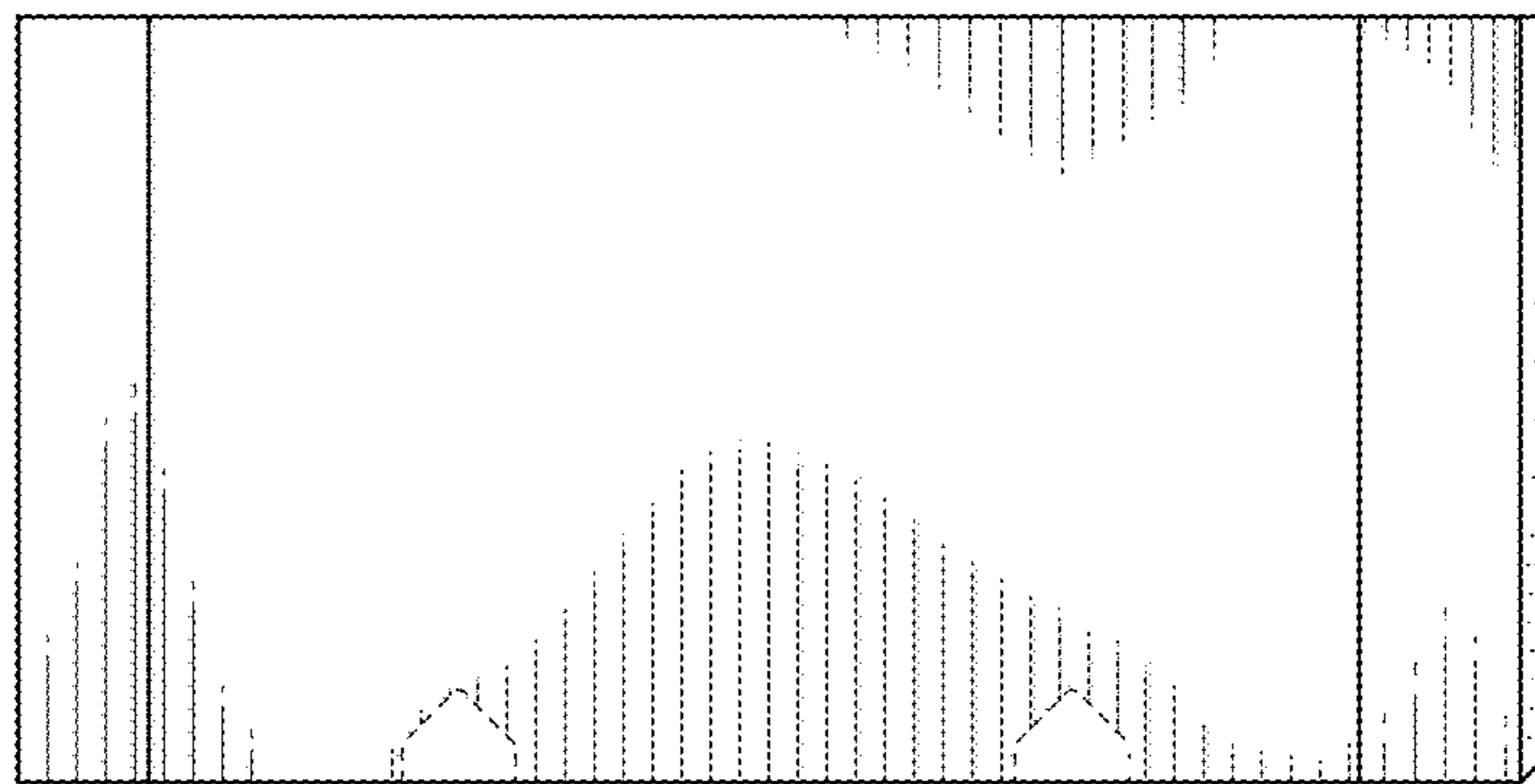


FIG. 5

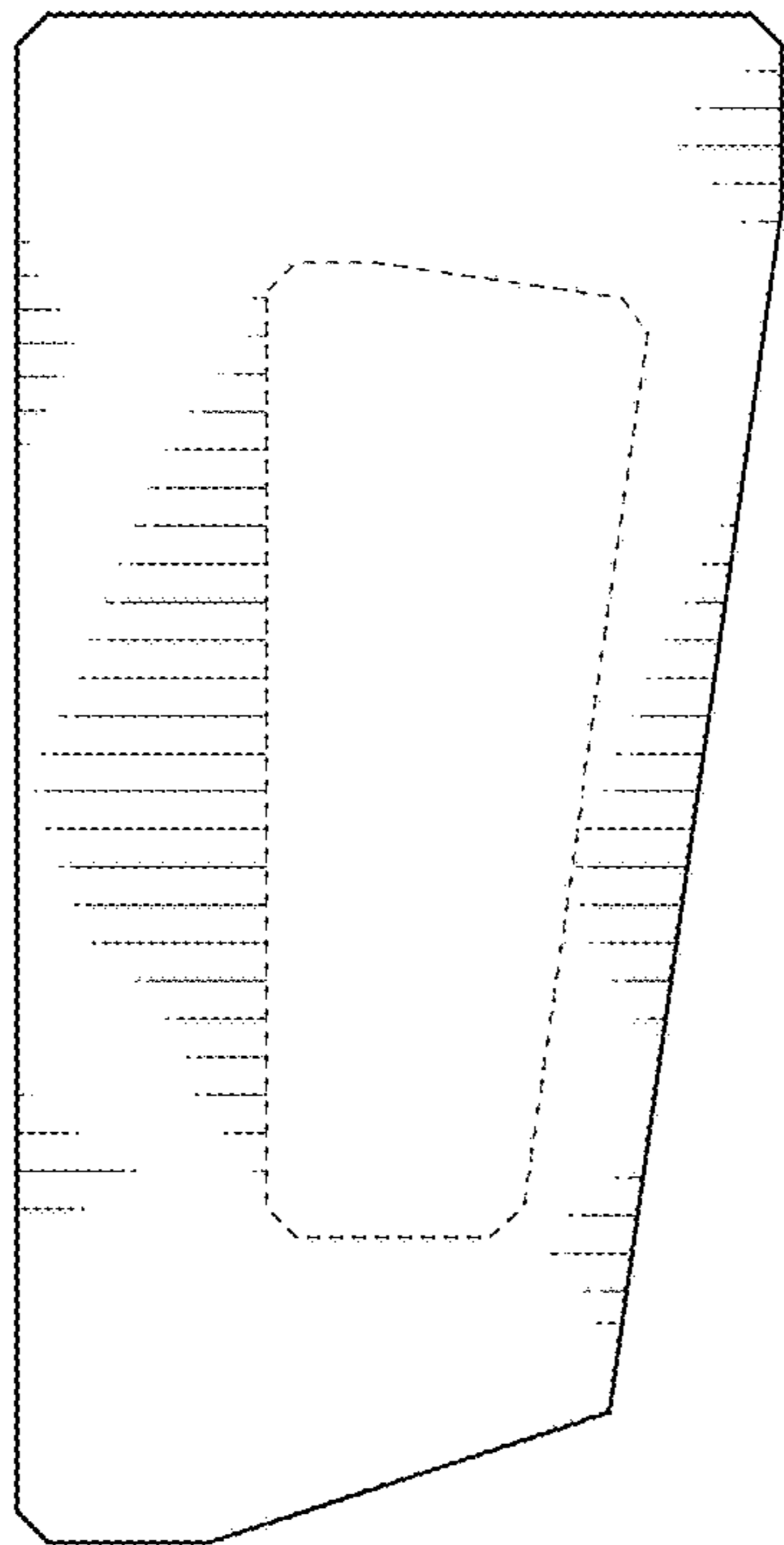


FIG. 6

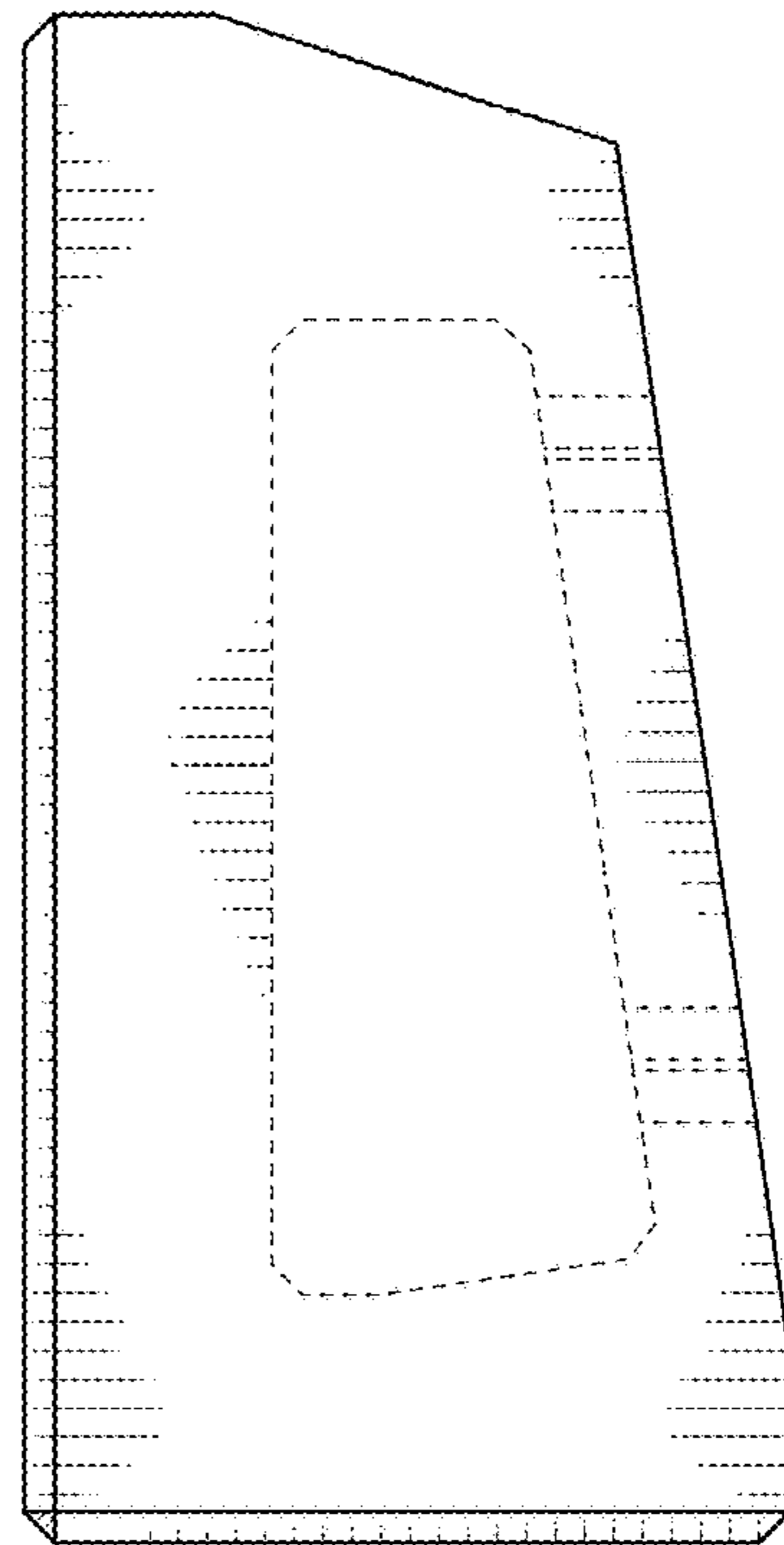


FIG. 7

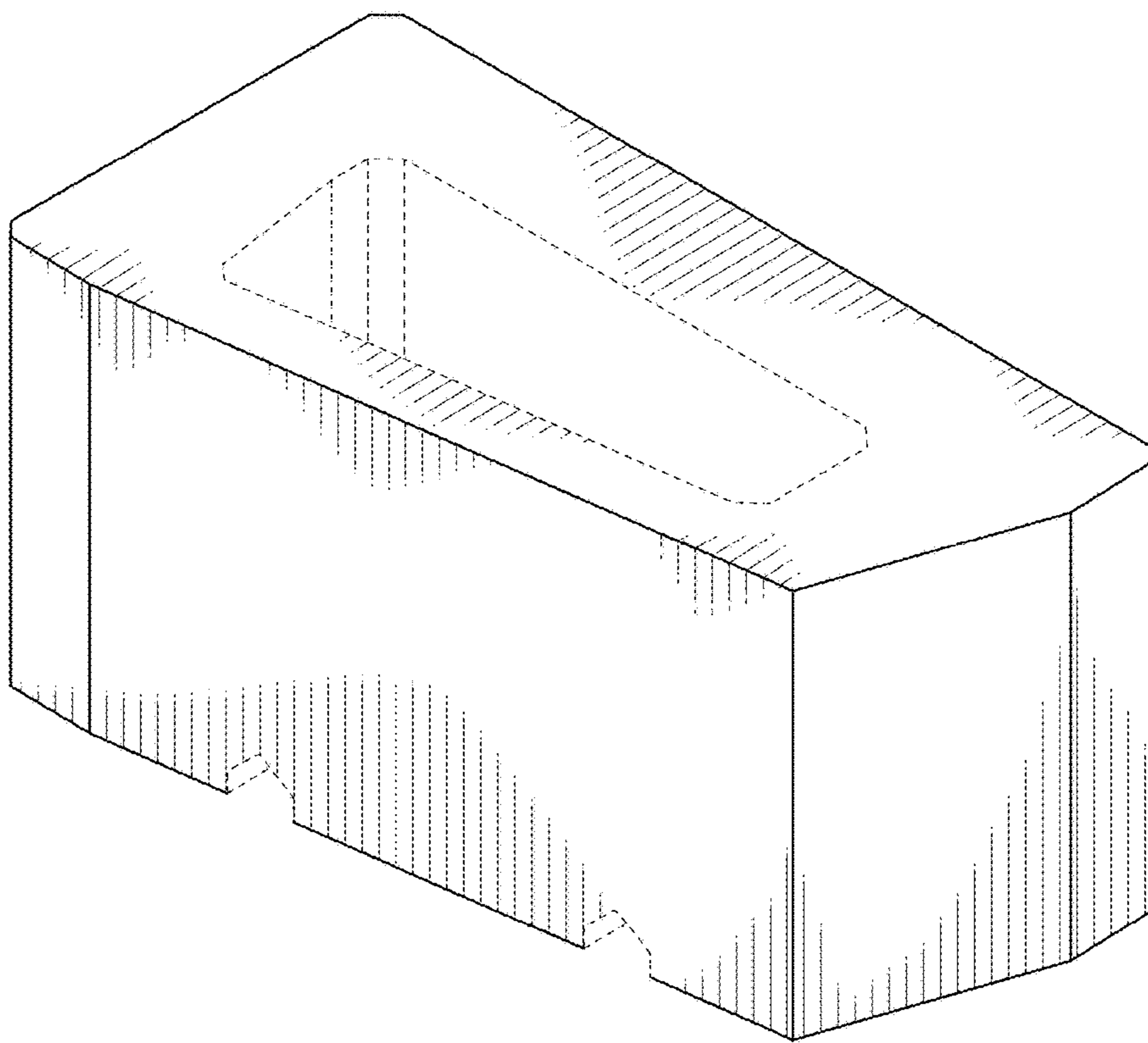


FIG. 8

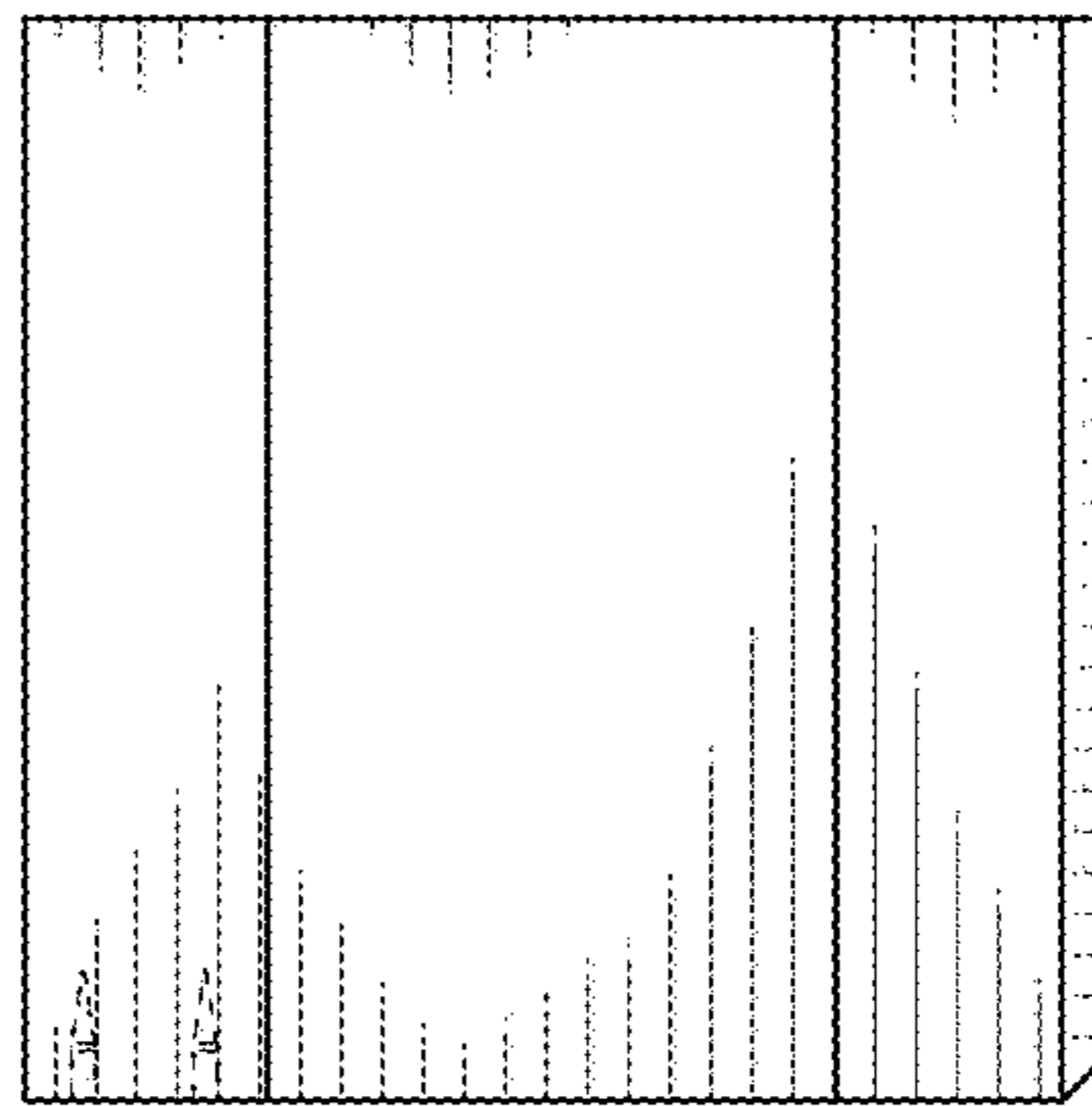


FIG. 9

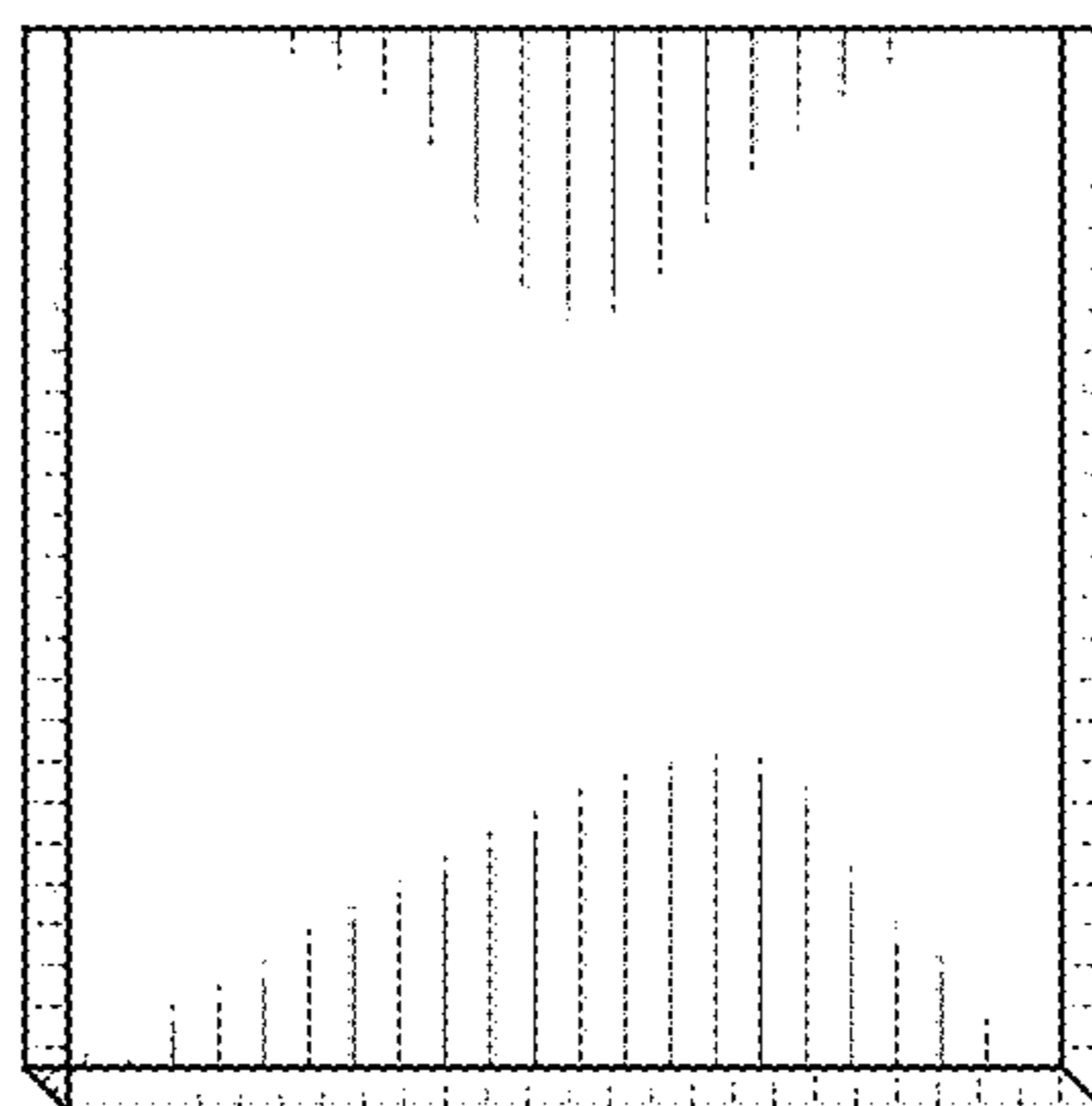


FIG. 10



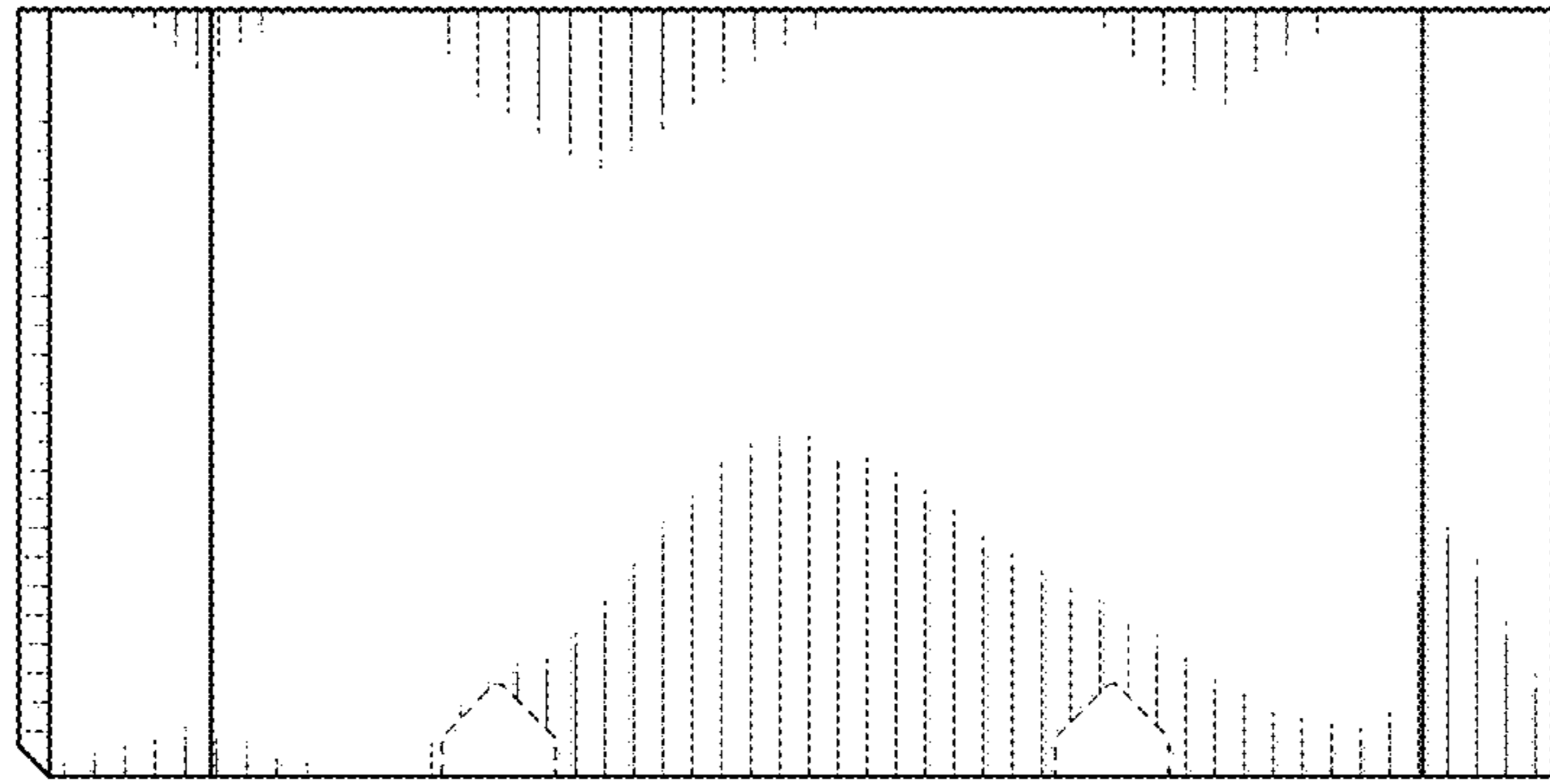


FIG. 11

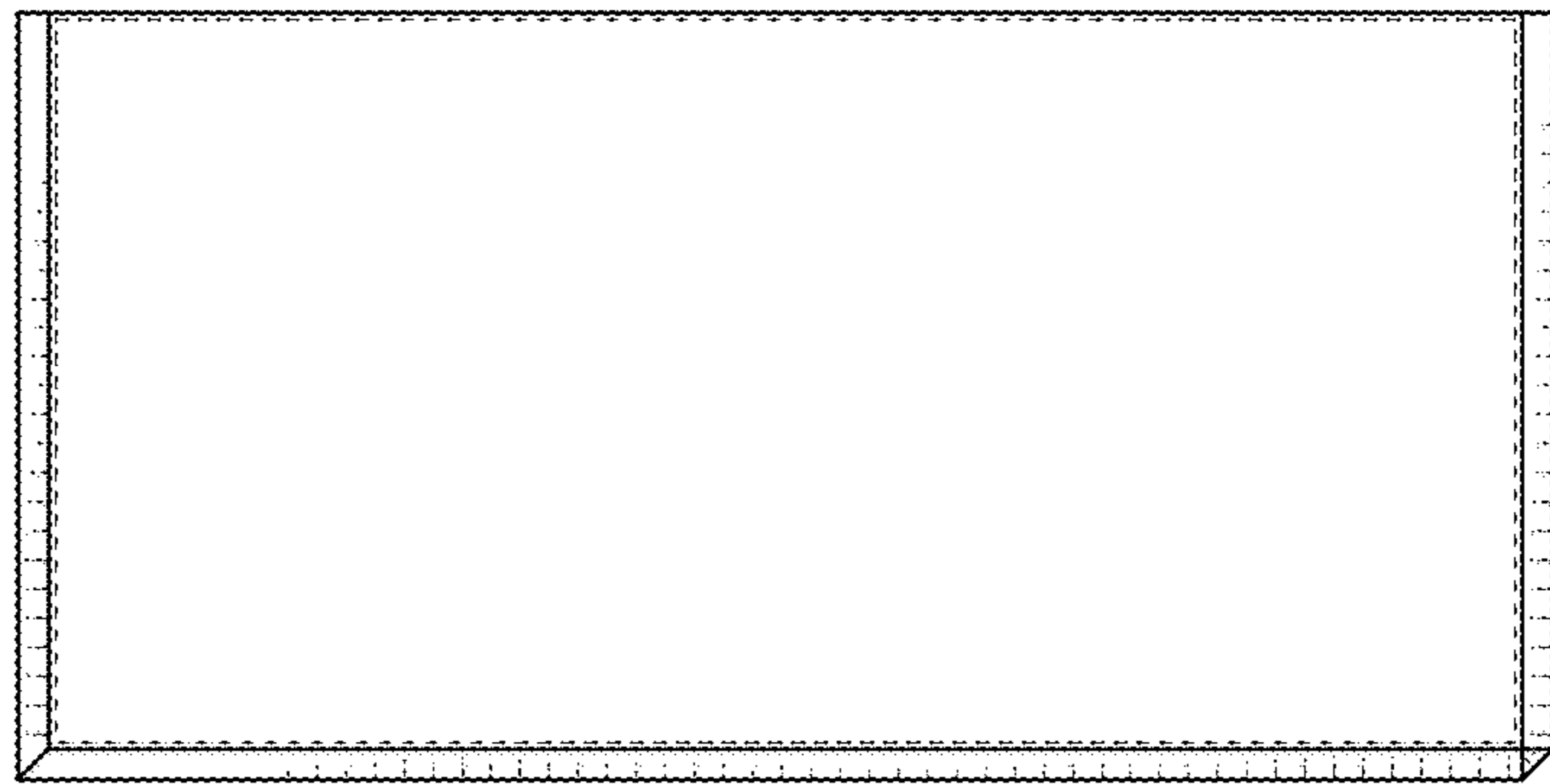


FIG. 12

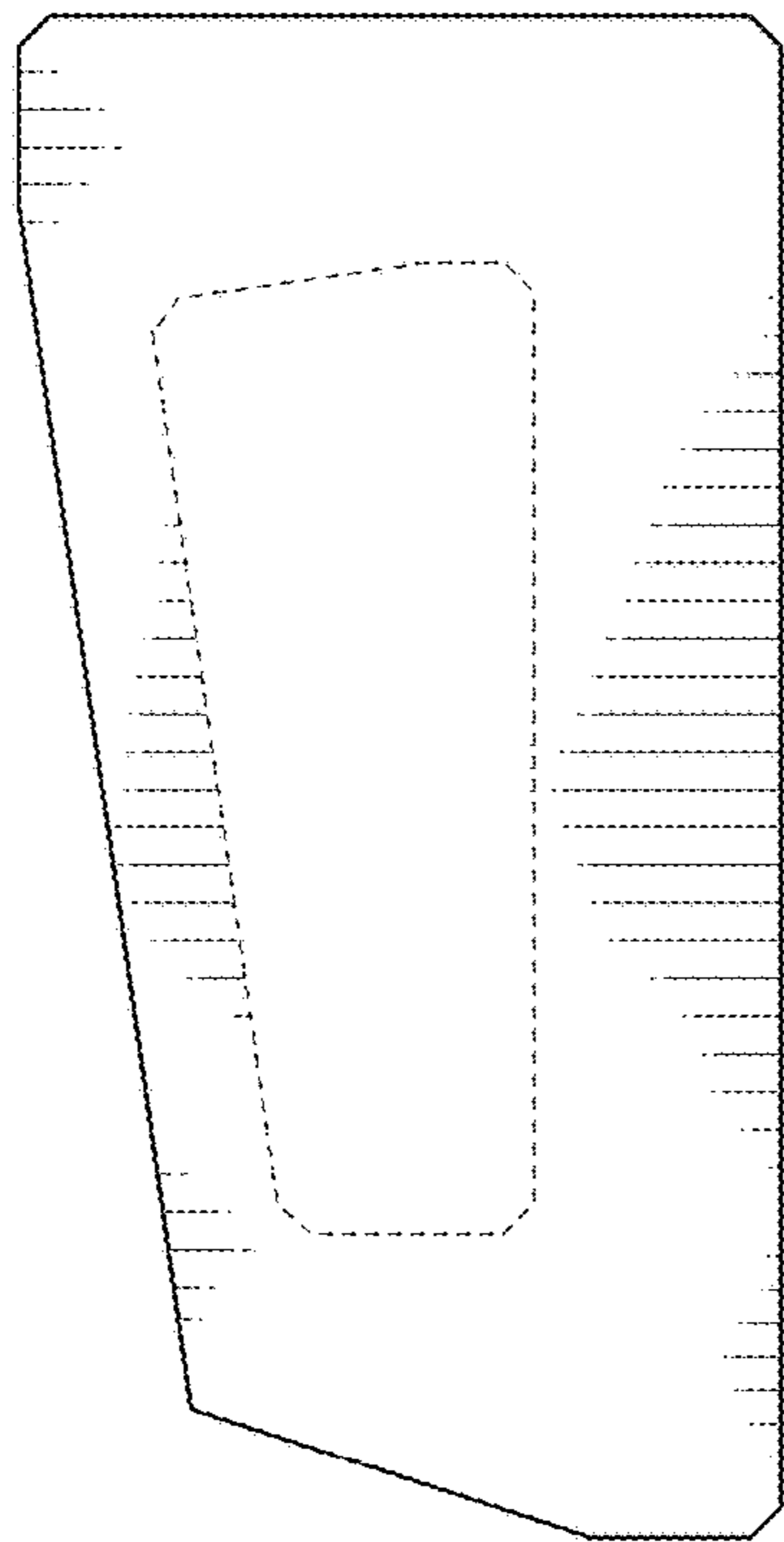


FIG. 13

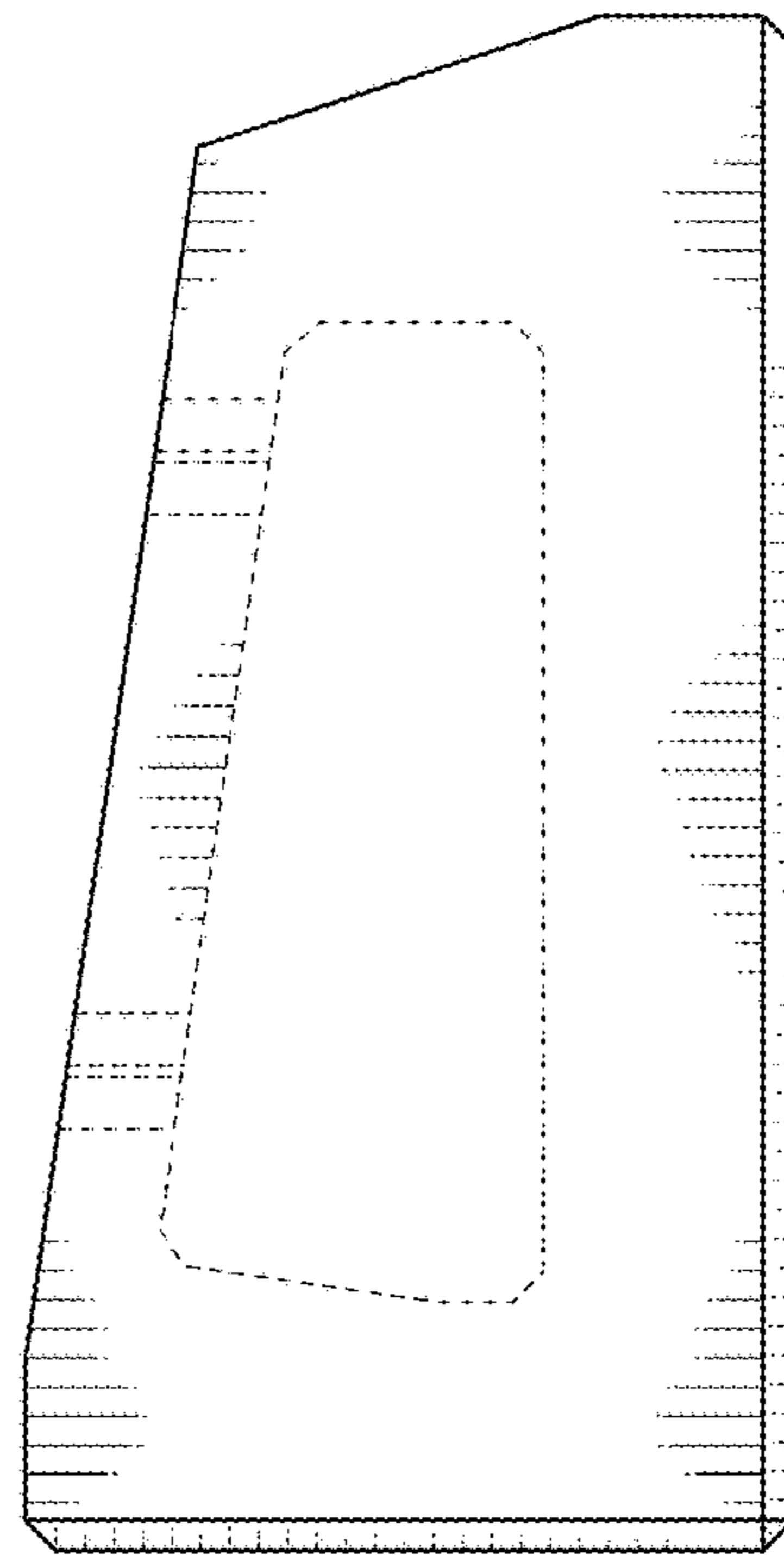


FIG. 14