



US00D844845S

(12) **United States Design Patent** (10) **Patent No.:** **US D844,845 S**
Fox (45) **Date of Patent:** **** Apr. 2, 2019**

(54) **DOOR**

FOREIGN PATENT DOCUMENTS

(71) Applicant: **Art Design Works LLC**, Lexington, MA (US)

EP 1502536 B1 9/2005
EP 2873581 A1 5/2015

(Continued)

(72) Inventor: **Henry Fox**, Newburyport, MA (US)

OTHER PUBLICATIONS

(73) Assignee: **Art Design Works LLC**, Lexington, MA (US)

Door Geometries. Figure. Publicly available prior to Mar. 29, 2017. 1pg.

(**) Term: **15 Years**

Primary Examiner — Leanne Was-Englehart

(21) Appl. No.: **29/598,924**

(74) *Attorney, Agent, or Firm* — Wolf, Greenfield & Sacks, P.C.

(22) Filed: **Mar. 29, 2017**

(51) **LOC (11) Cl.** **06-06**

(52) **U.S. Cl.**
USPC **D25/48.3; D6/703**

(57) **CLAIM**

(58) **Field of Classification Search**
USPC D6/663, 671, 671.1, 672, 675, 679, 702, D6/703, 703.2; D25/48.1, 48.3, 48.4, D25/48.5, 138
CPC E05D 15/28; E05D 15/34; E05D 15/101; E05D 15/1047; E05F 5/06; E06B 3/367; E05Y 2900/20
See application file for complete search history.

The ornamental design for a door, as shown and described.

DESCRIPTION

(56) **References Cited**

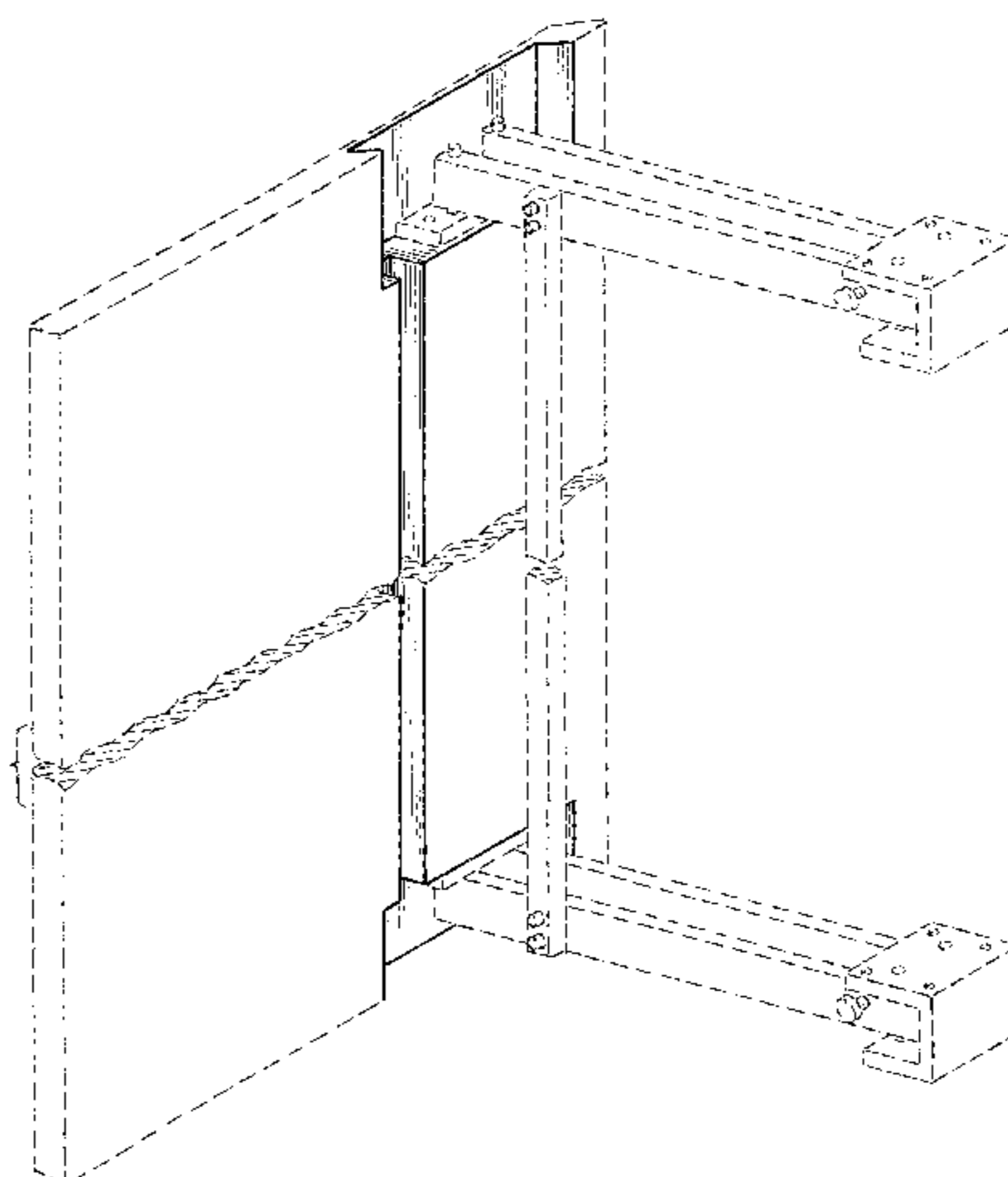
U.S. PATENT DOCUMENTS

1,197,031 A * 9/1916 Kelly E06B 1/20 49/505
2,228,711 A 1/1941 Steuber
2,361,403 A * 10/1944 Kabot E05F 1/1066 16/80
2,573,236 A * 10/1951 Whittit E05D 15/101 105/378
2,780,458 A 2/1957 Thaxton
2,828,505 A 4/1958 Hutzelman
D191,273 S * 9/1961 Knoll D6/703
3,121,251 A * 2/1964 Hogedal E04D 13/0354 16/261
D202,259 S * 9/1965 Kendrick D25/48.3
D221,160 S * 7/1971 Ungaro D6/703

FIG. 1 is a top, front, left side perspective view of a door showing our new design;
FIG. 2 is a top, rear, right side perspective view thereof;
FIG. 3 is a front elevation view thereof;
FIG. 4 is a rear elevation view thereof;
FIG. 5 is a left side elevation view thereof;
FIG. 6 is a right side elevation view thereof;
FIG. 7 is a top plan view thereof;
FIG. 8 is a bottom plan view thereof; and,
FIG. 9 is a top, front, left side perspective view showing the door in the environment of a closet.
The broken lines shown in FIGS. 1-8 represent portions of the door that form no part of the claimed design. The additional broken lines shown in FIG. 9 illustrate environmental matter that forms no part of the claimed design. The appearance of any portion of the door between the break lines forms no part of the claimed design.

(Continued)

1 Claim, 8 Drawing Sheets



(56)

References Cited

U.S. PATENT DOCUMENTS

3,748,009 A * 7/1973 Stone A47B 47/04
312/108
3,906,668 A 9/1975 Simmons
D245,655 S * 9/1977 Friedrich D6/703
4,090,755 A * 5/1978 Johnson A47B 47/02
312/140
4,208,850 A * 6/1980 Collier F16B 12/24
297/440.1
4,268,996 A 5/1981 Allen
4,364,201 A 12/1982 Taylor
4,454,685 A 6/1984 van der Sloot et al.
4,495,729 A 1/1985 Britzke et al.
4,571,776 A 2/1986 Taylor
4,689,852 A 9/1987 Buckley
D303,465 S * 9/1989 Stanek D6/703
5,244,265 A * 9/1993 Chiang B25H 3/023
312/107
D371,734 S 7/1996 Akers
5,826,923 A 10/1998 Bethurem

5,898,977 A 5/1999 Muir
5,921,613 A 7/1999 Breunig et al.
D516,224 S * 2/2006 Brandon D25/48.3
D632,946 S 2/2011 Hartgens
D635,435 S 4/2011 Yamaguchi
D638,686 S 5/2011 Gordon
D669,600 S * 10/2012 Thielke D25/48.3
D789,176 S 6/2017 Bruce
D818,346 S * 5/2018 Fox D8/339
2003/0204999 A1 11/2003 George et al.
2014/0192504 A1 * 7/2014 Richard F16M 11/10
361/807

FOREIGN PATENT DOCUMENTS

GB 452679 A 8/1936
GB 781969 A 8/1957
GB 898134 A 6/1962
GB 1114981 A 5/1968
GB 1228969 A 4/1971
JP 8-121012 A 5/1996
KR 300693614.0000 * 5/2013

* cited by examiner

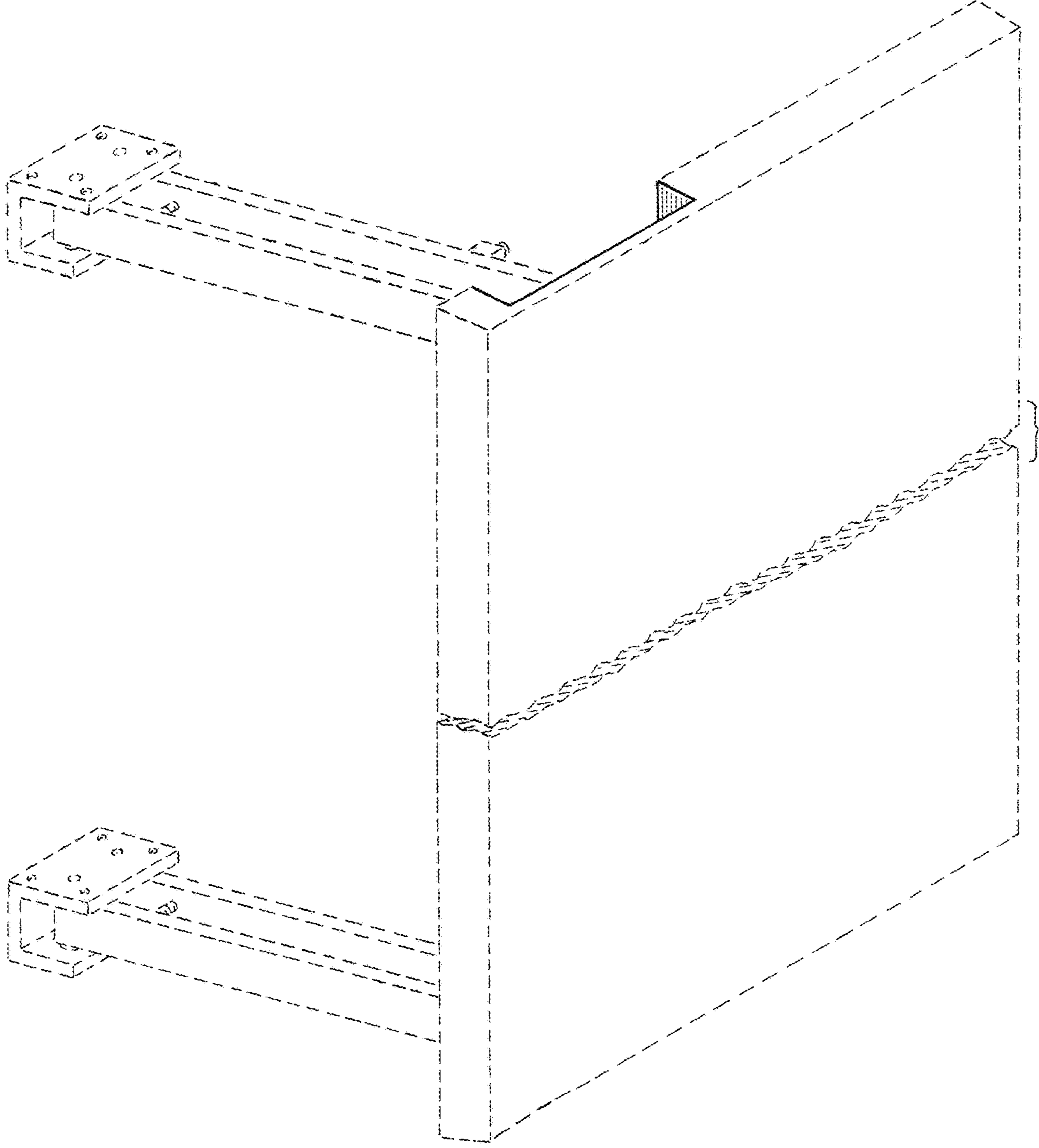


Fig. 1

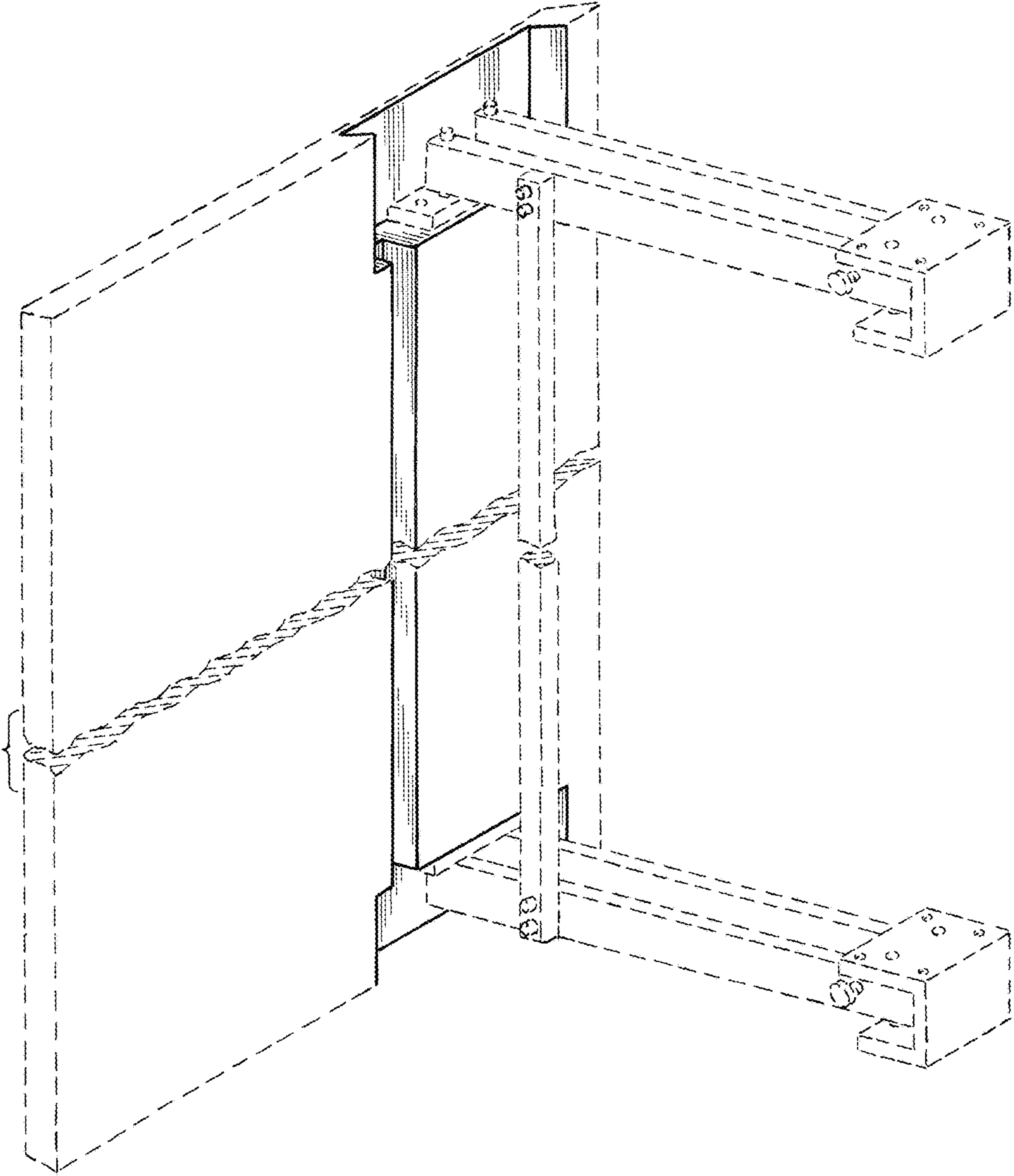


Fig. 2



Fig. 3

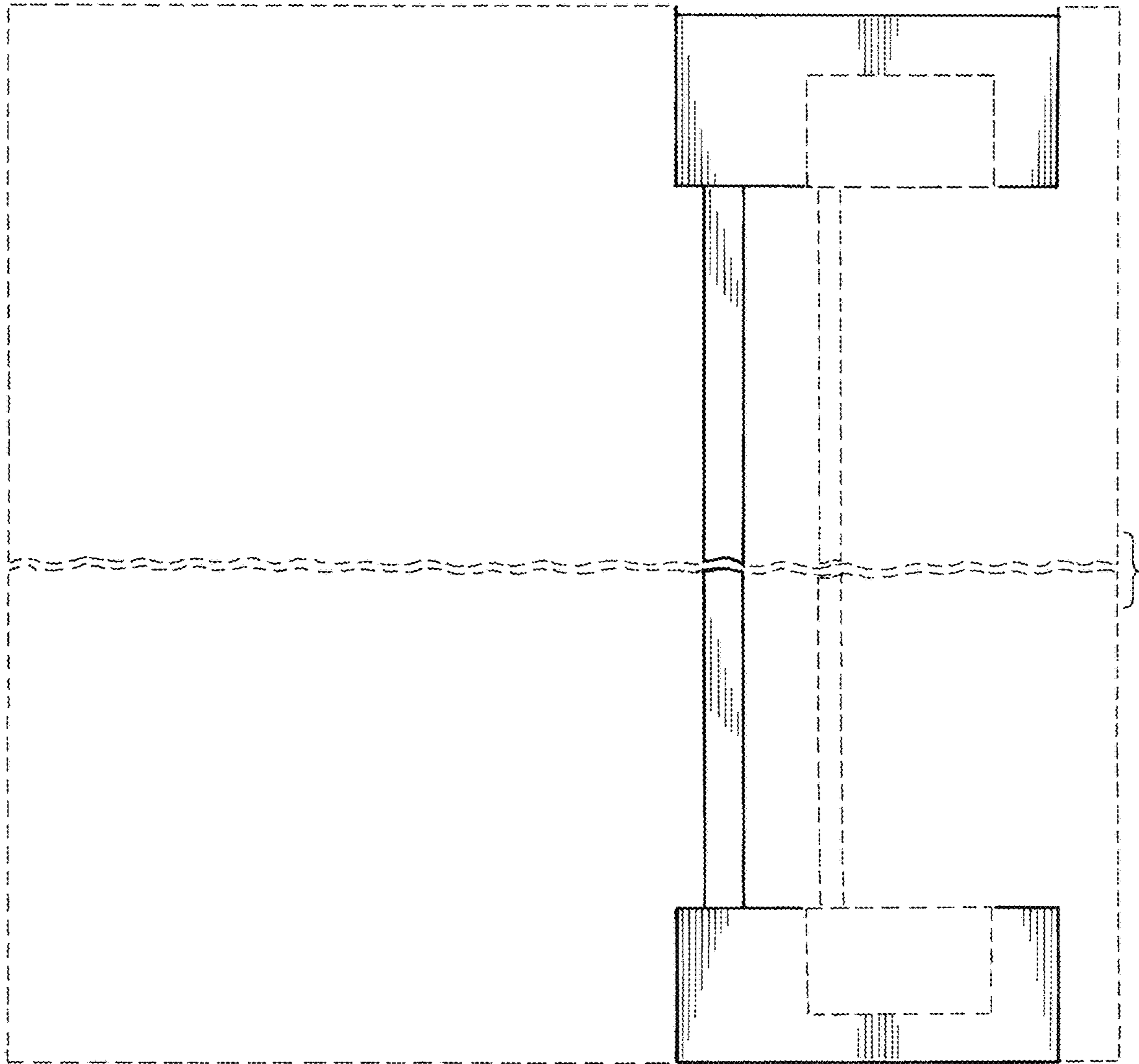


Fig. 4



Fig. 5

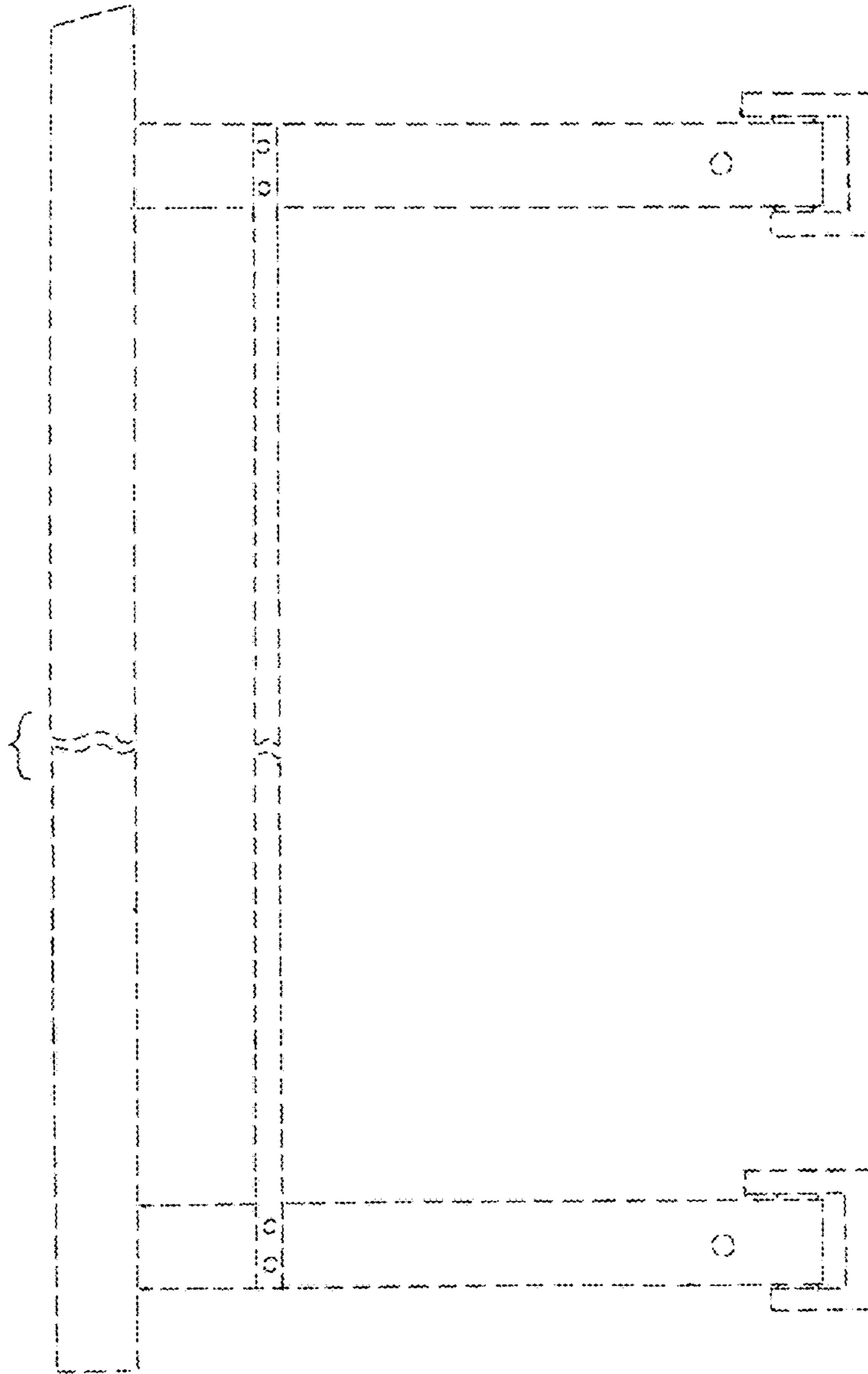


Fig. 6

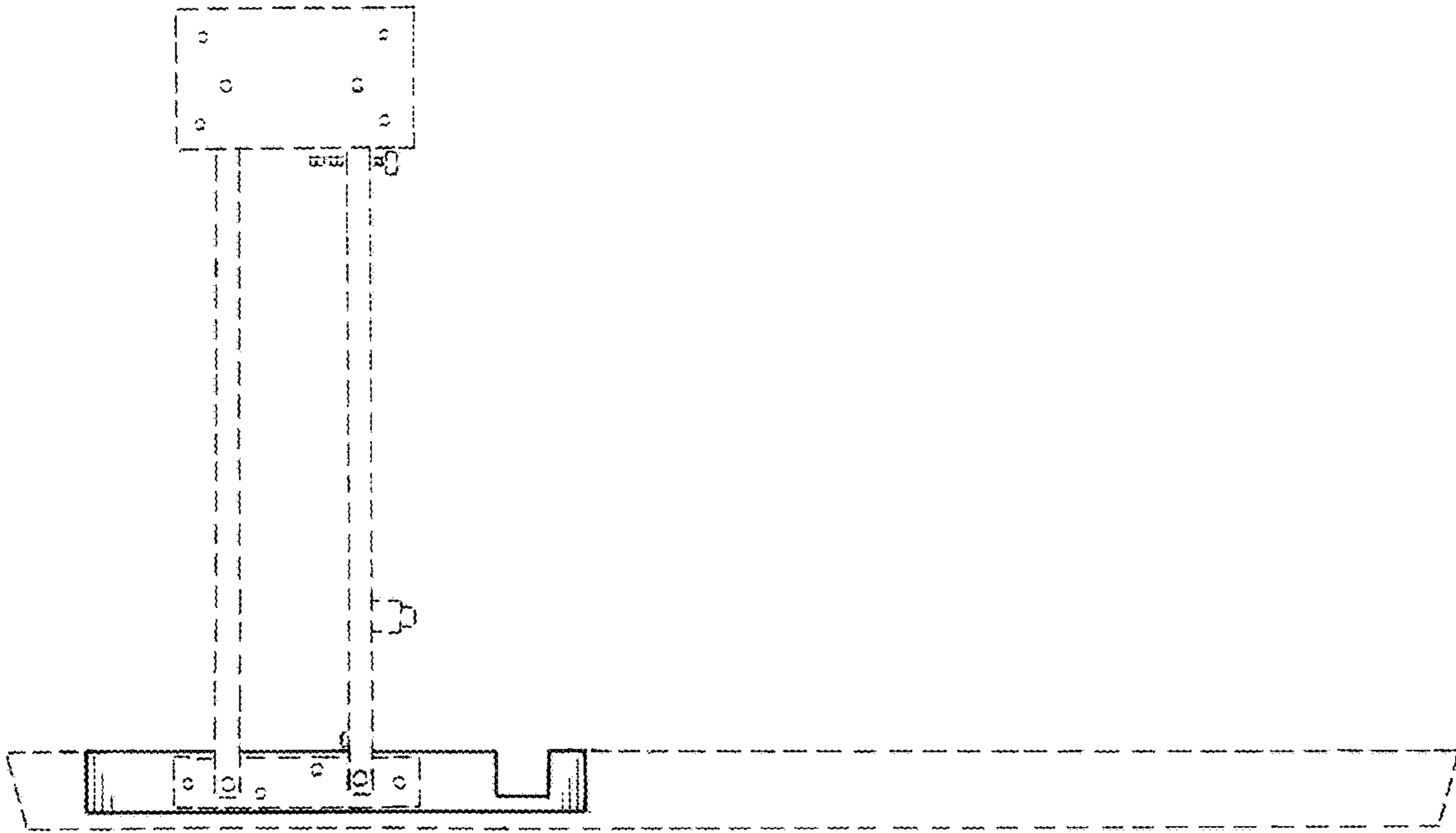


Fig. 7

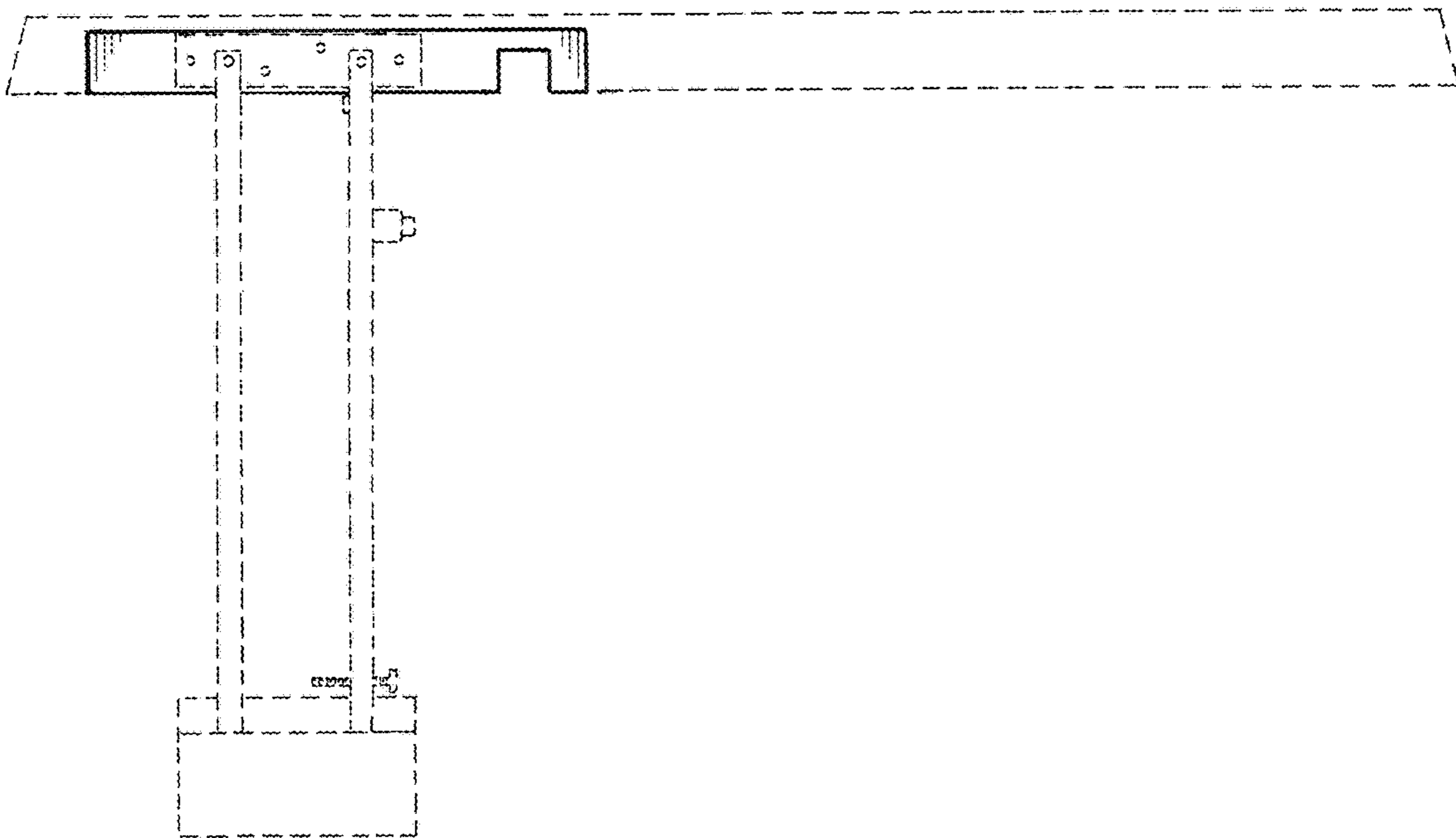


Fig. 8

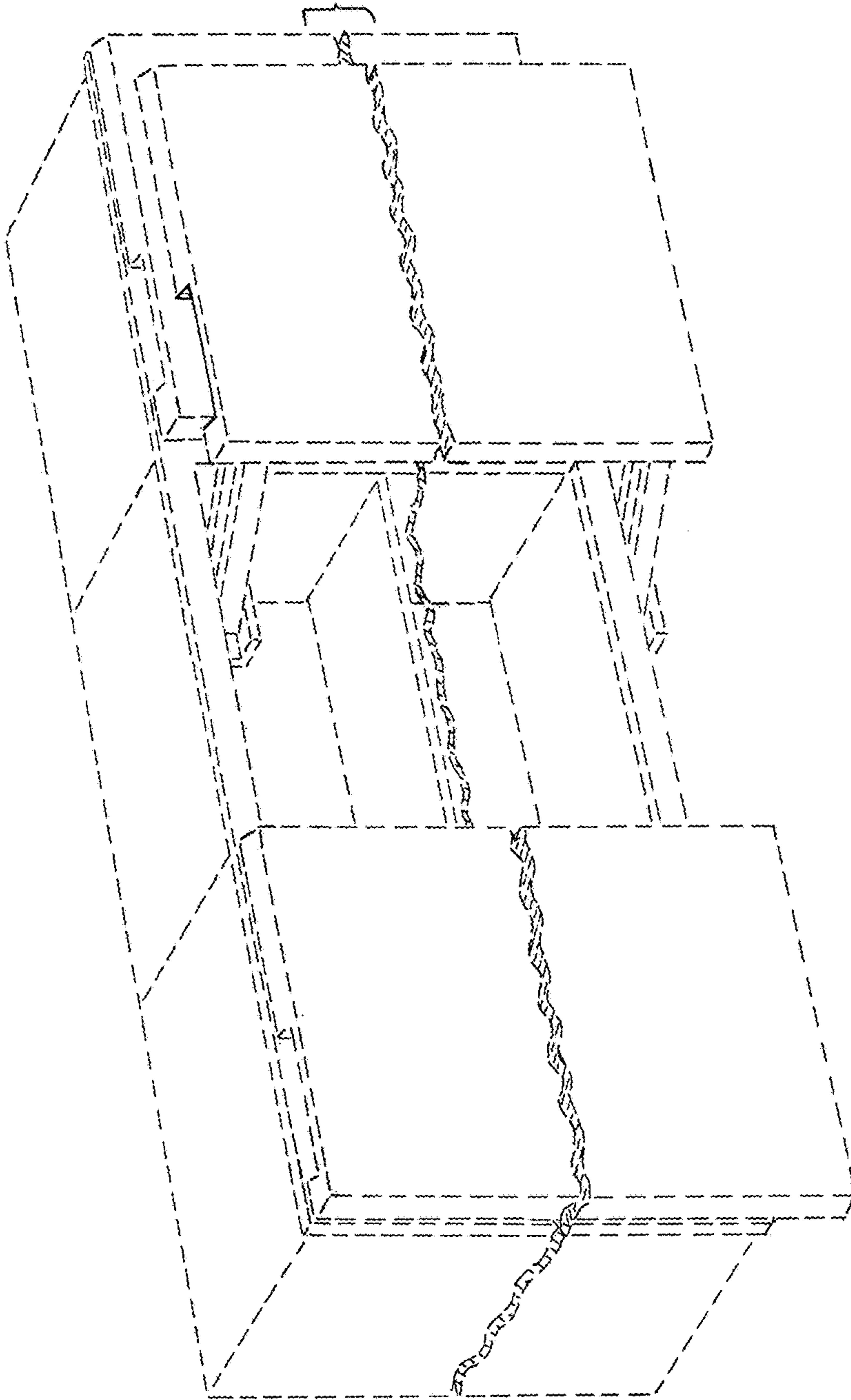


Fig. 9