



US00D844844S

(12) **United States Design Patent** (10) **Patent No.:** **US D844,844 S**
Chang et al. (45) **Date of Patent:** **** Apr. 2, 2019**

(54) **FLAT PROFILE FRAME WITH DENTIL SHELF FOR GLASS INSERT ON DOOR**

FOREIGN PATENT DOCUMENTS

CN 300832711 * 9/2008

(71) Applicant: **Apollo Building Products, Inc.**, Dallas, TX (US)

OTHER PUBLICATIONS

(72) Inventors: **Gang Chang**, Dallas, TX (US); **Joseph R. Soltesiz**, North Lima, OH (US)

<http://www.apollobuildingproducts.com/> Available Sep. 13, 2016 (Year: 2016).*

(73) Assignee: **Apollo Building Products, Inc.**, Dallas, TX (US)

<https://www.clopaydoor.com/Pressreleases/2011/09/01/clopay-adds-craftsman-collection-to-fiberglass-entry-door-line> Posted Aug. 31, 2011 (Year: 2011).*

(**) Term: **15 Years**

<https://issuu.com/horner/docs/masonitecatalog> Published Jun. 25, 2012 (Year: 2012).*

<https://www.youtube.com/watch?v=wBXgTTwUQAo> Posted Apr. 1, 2015 (Year: 2015).*

(21) Appl. No.: **29/598,196**

* cited by examiner

(22) Filed: **Mar. 23, 2017**

Primary Examiner — Leanne Was-Englehart

(51) **LOC (11) Cl.** **25-02**

(74) *Attorney, Agent, or Firm* — Conley Rose, P.C.; Grant Rodolph

(52) **U.S. Cl.**
USPC **D25/48.3**

(58) **Field of Classification Search**
USPC D25/48.1, 48.3, 48.7, 55, 60, 199
CPC . E06B 3/96; E06B 3/5892; E06B 1/34; E04C 2/38
See application file for complete search history.

(57) **CLAIM**

The ornamental design for a flat profile frame with dentil shelf for glass insert on door, as shown and described.

DESCRIPTION

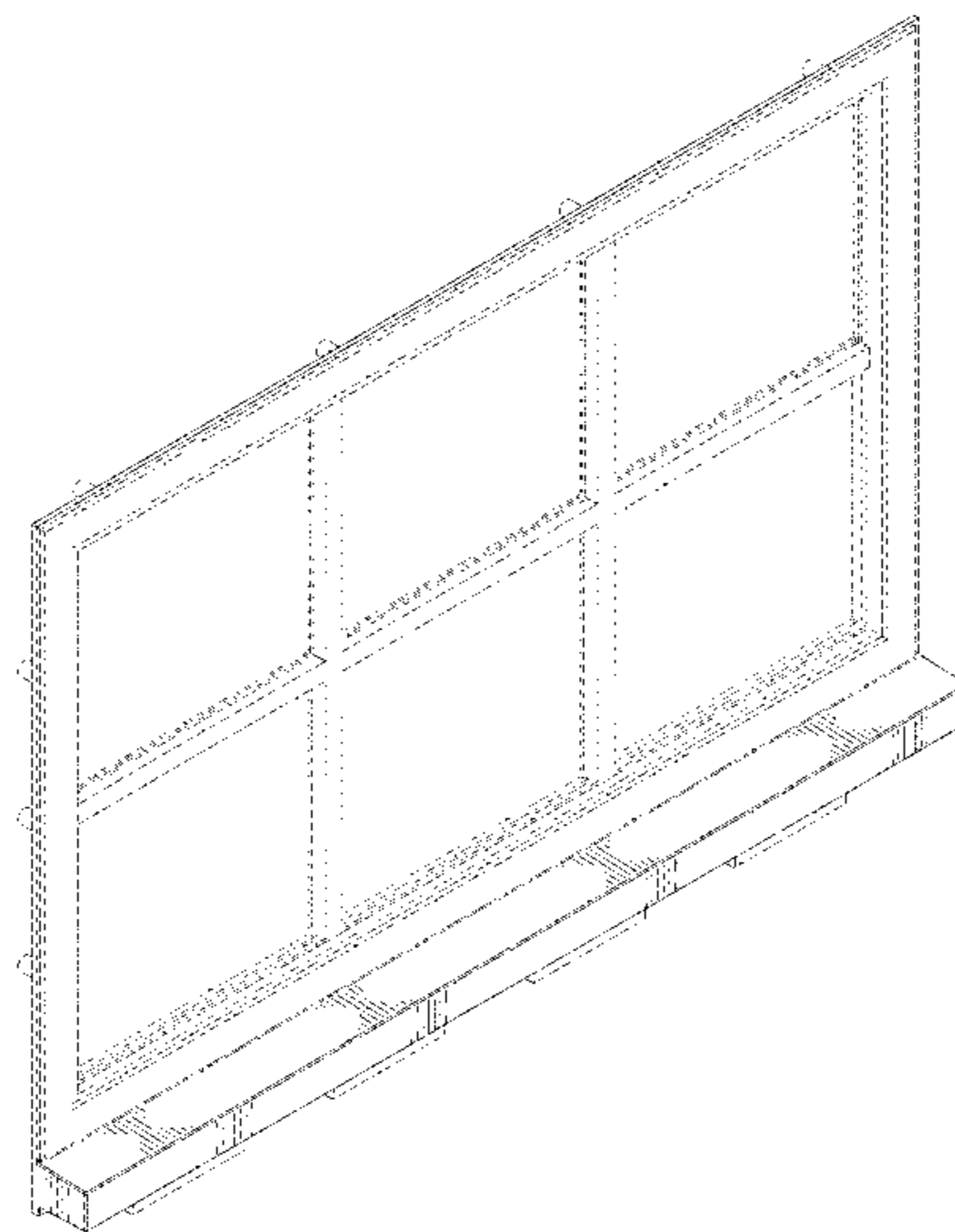
(56) **References Cited**

U.S. PATENT DOCUMENTS

4,341,048	A *	7/1982	Minter	E06B 1/34 49/504
5,564,233	A *	10/1996	Norton	E04D 13/158 52/287.1
6,421,964	B1 *	7/2002	Schiedegger	E04D 13/158 52/287.1
D481,803	S *	11/2003	Gordon	D25/60
D504,729	S *	5/2005	Tyner	D25/48.3
D513,327	S *	12/2005	McFarlane	D25/48.3
D737,271	S *	8/2015	Morrissey	D14/371
2012/0137624	A1 *	6/2012	Sibbett	E06B 3/5892 52/656.5

FIG. 1 is a front perspective view of a flat profile frame with dentil shelf for glass insert on door, as depicted in solid lines; FIG. 2 is a front elevation view thereof; FIG. 3 is a rear elevation view thereof; FIG. 4 is a side elevation view thereof; FIG. 5 is a side elevation view thereof, for the side opposite that of FIG. 4; FIG. 6 is a top elevation view thereof; FIG. 7 is a bottom elevation view thereof; FIG. 8 is a rear perspective view thereof; and, FIG. 9 is a front perspective environmental view thereof. The broken lines shown in the drawings are only provided to illustrate the environment of the design, and form no part of the claimed design.

1 Claim, 7 Drawing Sheets



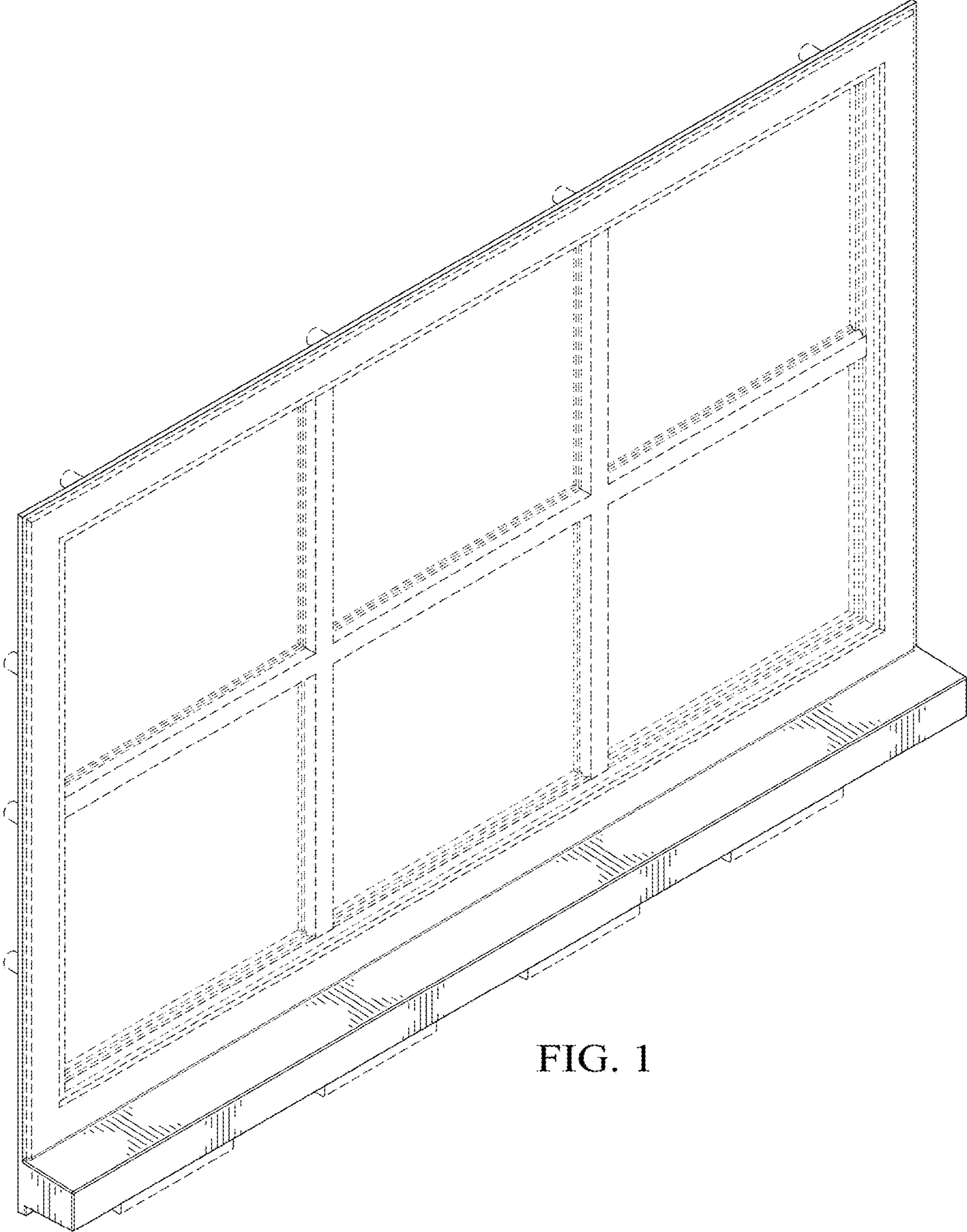


FIG. 1

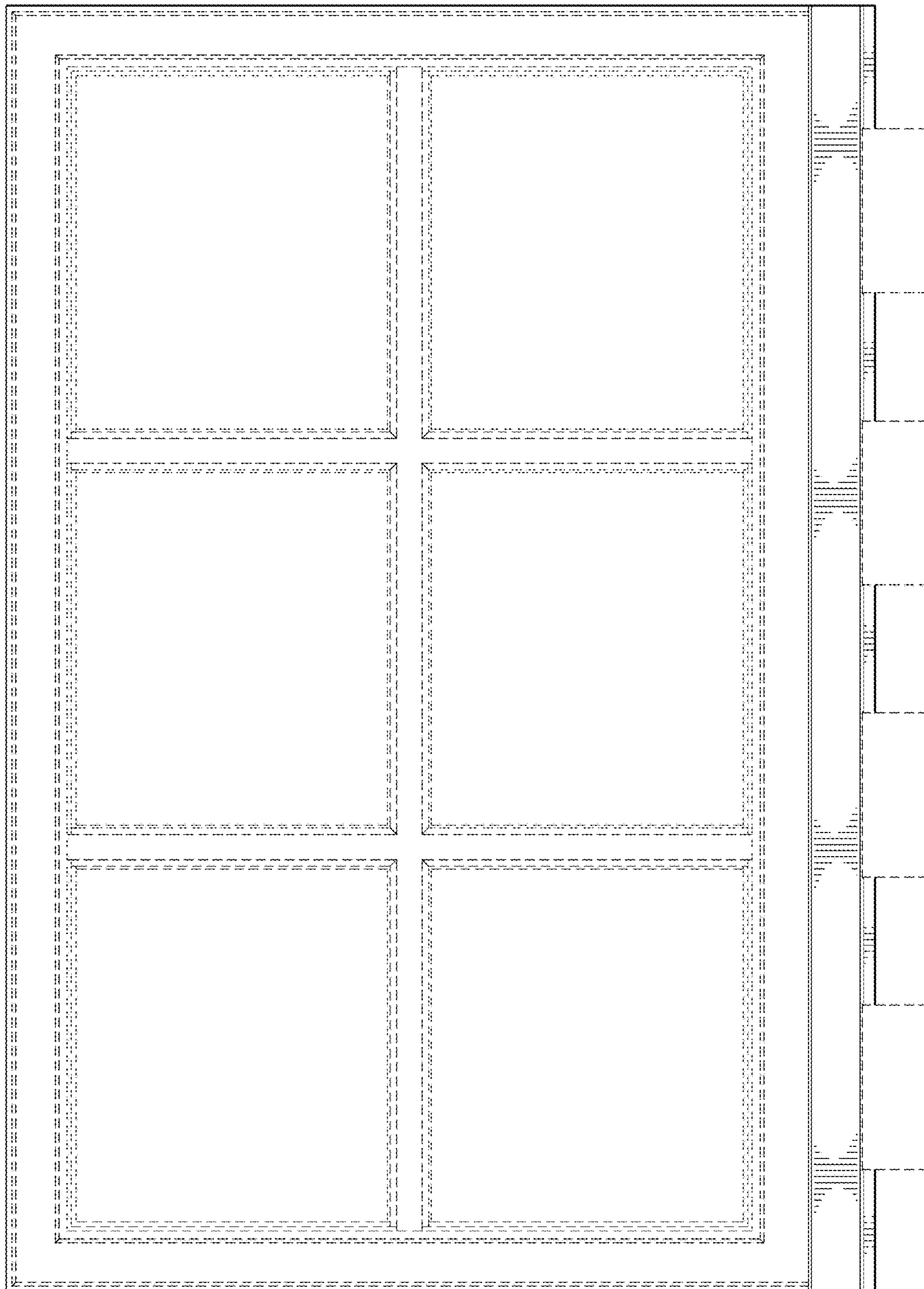


FIG. 2

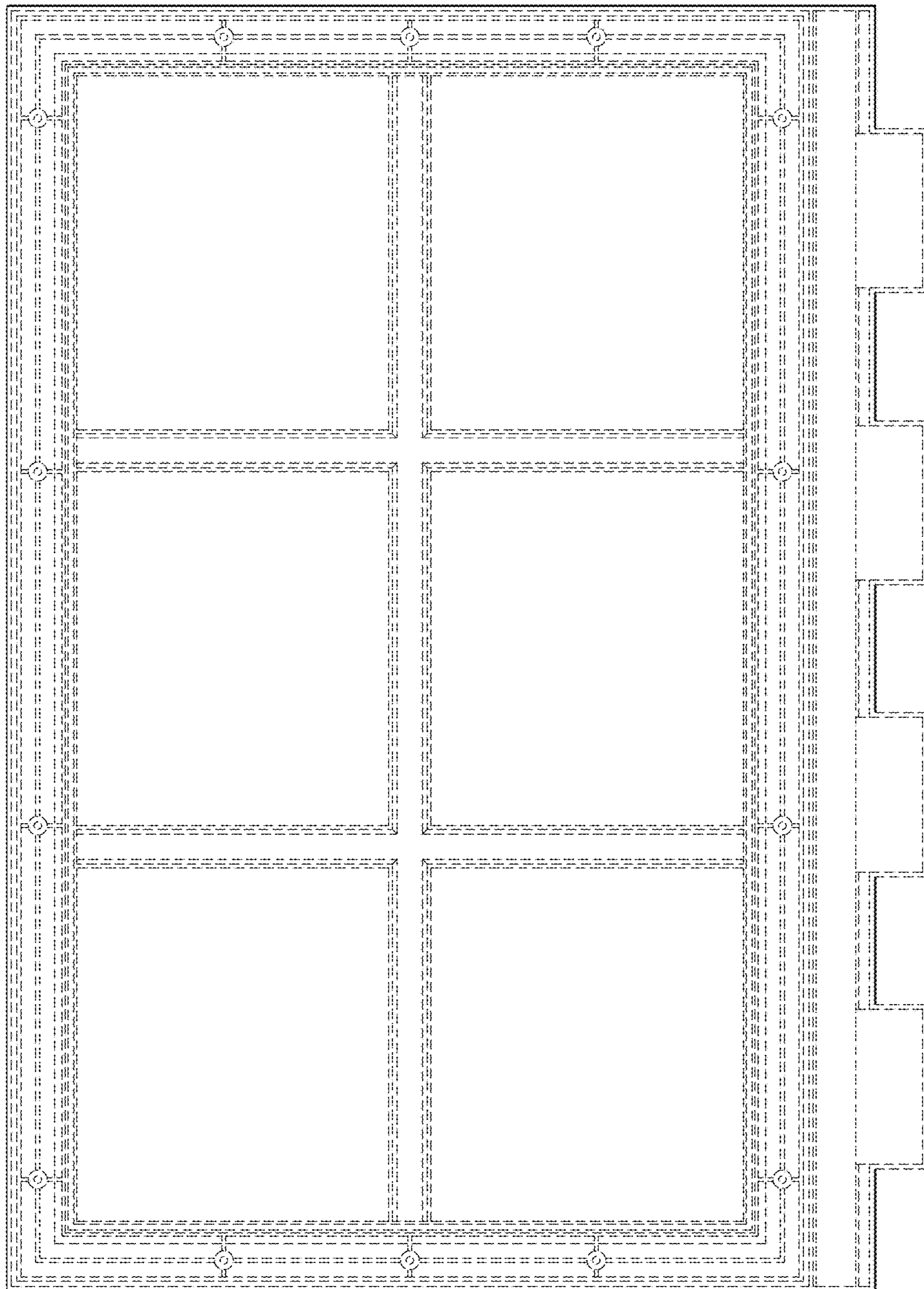


FIG. 3

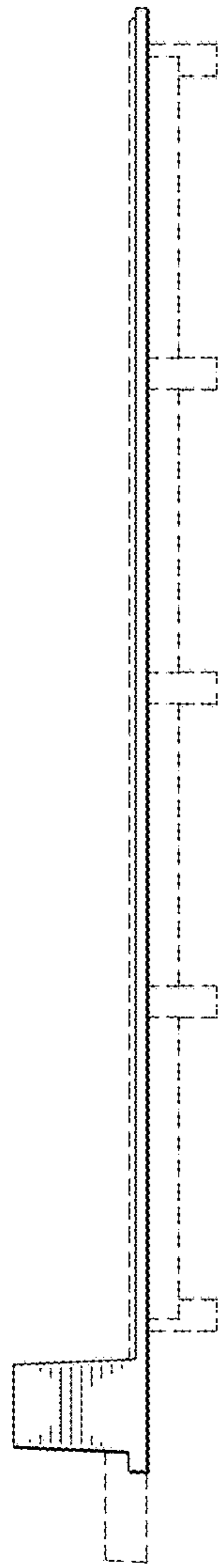


FIG. 4

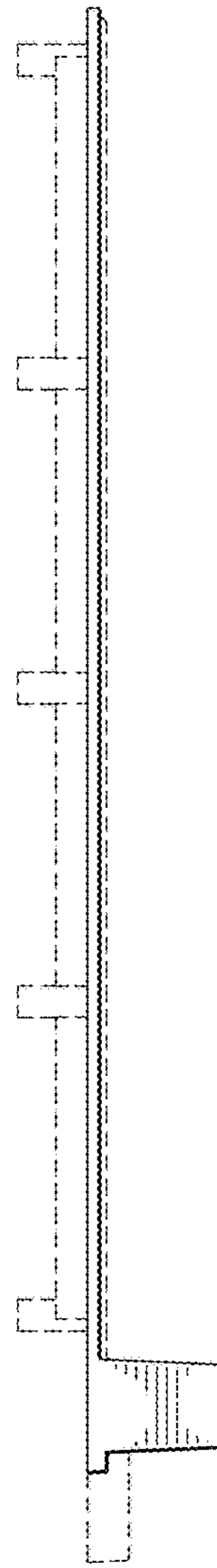


FIG. 5

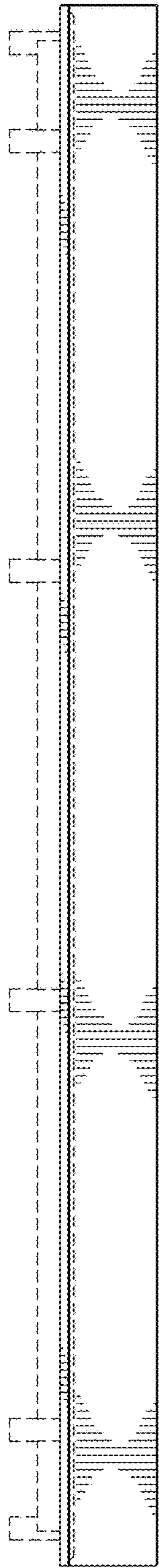


FIG. 6

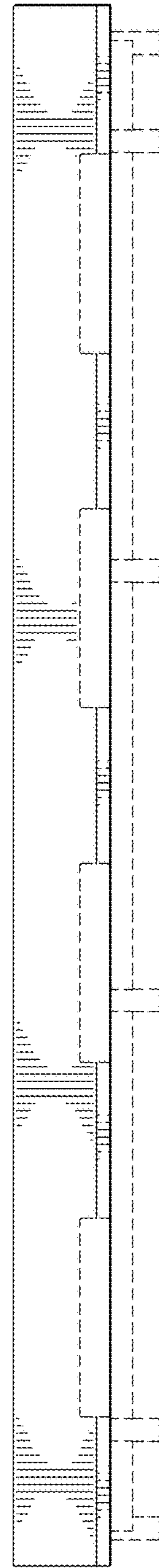


FIG. 7

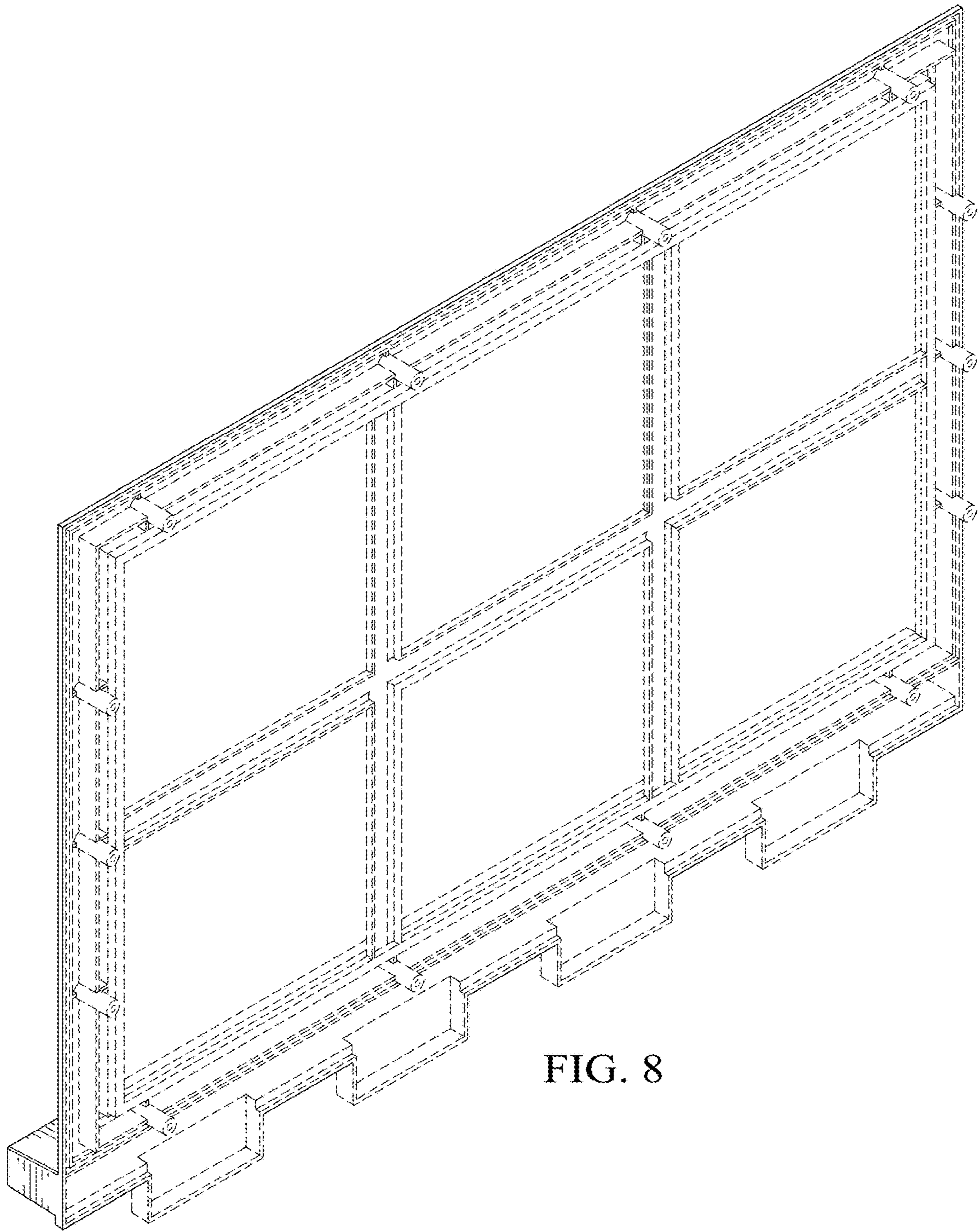


FIG. 8

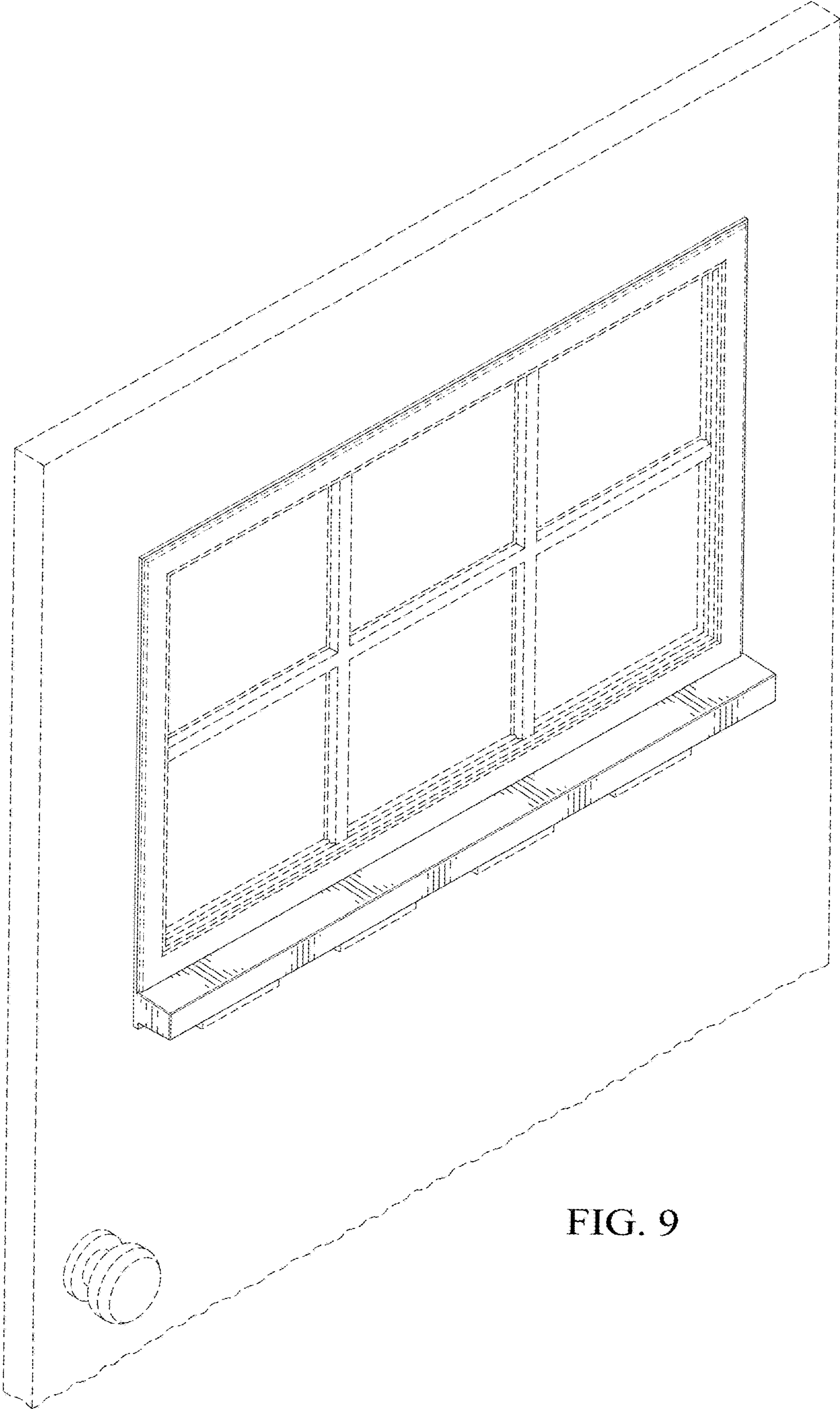


FIG. 9