



US00D844838S

(12) **United States Design Patent**
Li

(10) **Patent No.:** **US D844,838 S**

(45) **Date of Patent:** **** Apr. 2, 2019**

(54) **CONTAINER STORE**

(71) Applicant: **SHENZHEN GENUINE
INNOVATIVE TECHNOLOGY CO.,
LTD, Shenzhen (CN)**

(72) Inventor: **Wenhua Li, Hong Kong (HK)**

(73) Assignee: **Shenzhen Genuine Innovative
Technology Co., Ltd, Shenzhen (CN)**

(**) Term: **15 Years**

(21) Appl. No.: **29/630,944**

(22) Filed: **Dec. 24, 2017**

(51) **LOC (11) Cl.** **D25-03**

(52) **U.S. Cl.**
USPC **D25/33**

(58) **Field of Classification Search**
USPC D25/1, 3-35, 55-59, 61; 52/79.1-79.9
CPC E04H 1/00-1/1277; E04H 1/14; E04H
3/00-3/04; E04H 2001/1283-2001/1294;
E04B 1/34823; E04B 1/3483; E04B
1/3444; E04B 1/3431
See application file for complete search history.

(56) **References Cited**

U.S. PATENT DOCUMENTS

5,170,901	A *	12/1992	Bersani	E04B 1/3431 220/1.5
D559,403	S *	1/2008	Vils	D25/3
D655,019	S *	2/2012	Colless	D25/15
8,650,806	B1 *	2/2014	Condie	E04H 1/1205 52/79.5
D816,245	S *	4/2018	Gill	D25/33

2010/0024319	A1 *	2/2010	Pope	E04B 1/3431 52/79.9
2010/0064599	A1 *	3/2010	Yang	E04B 1/3444 52/79.5
2011/0162293	A1 *	7/2011	Levy	E04B 1/3483 52/79.9
2012/0077429	A1 *	3/2012	Wernimont	F24F 3/161 52/79.9
2017/0350114	A1 *	12/2017	Crozier	E04H 1/1205

* cited by examiner

Primary Examiner — Brett Miller

(57) **CLAIM**

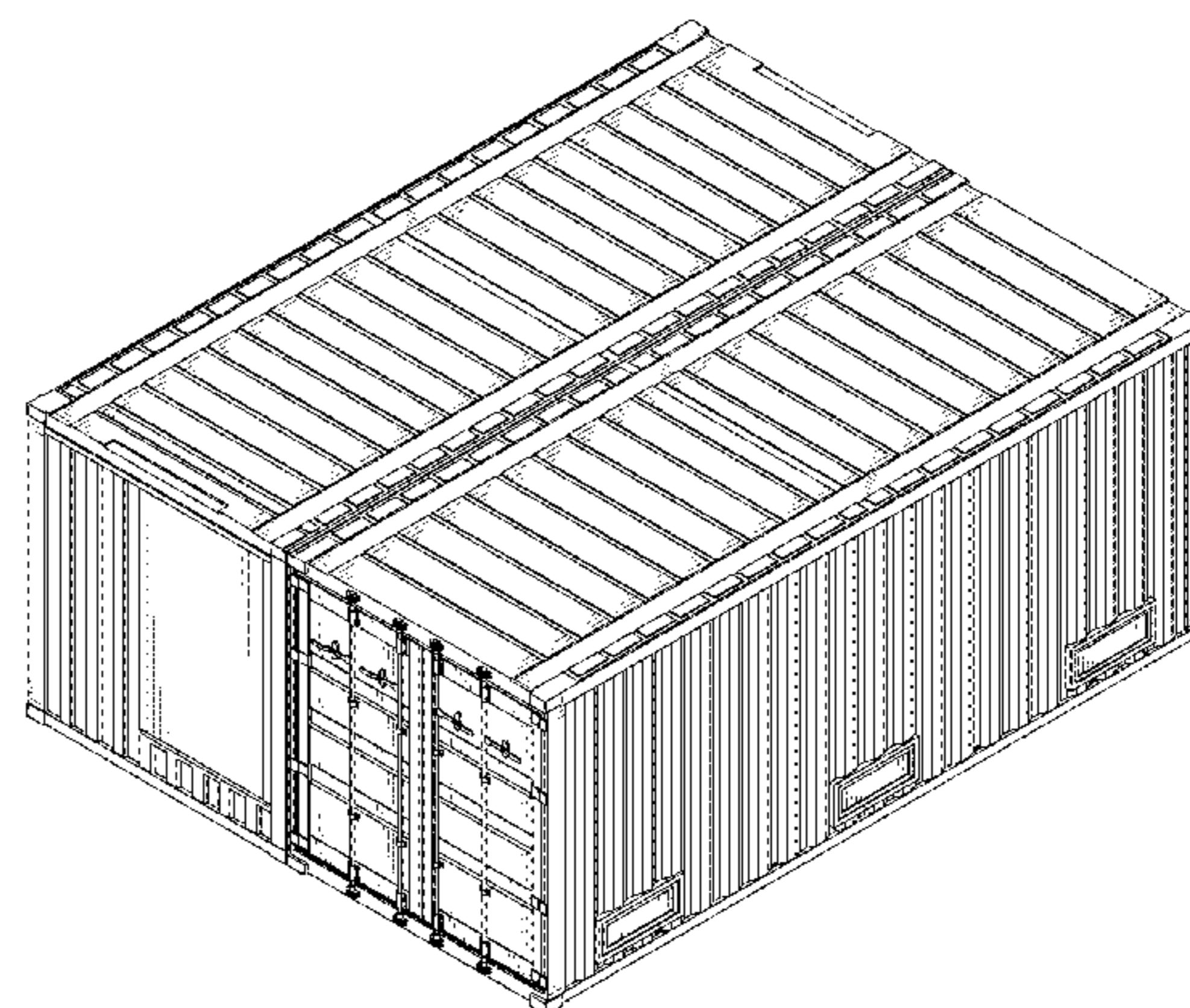
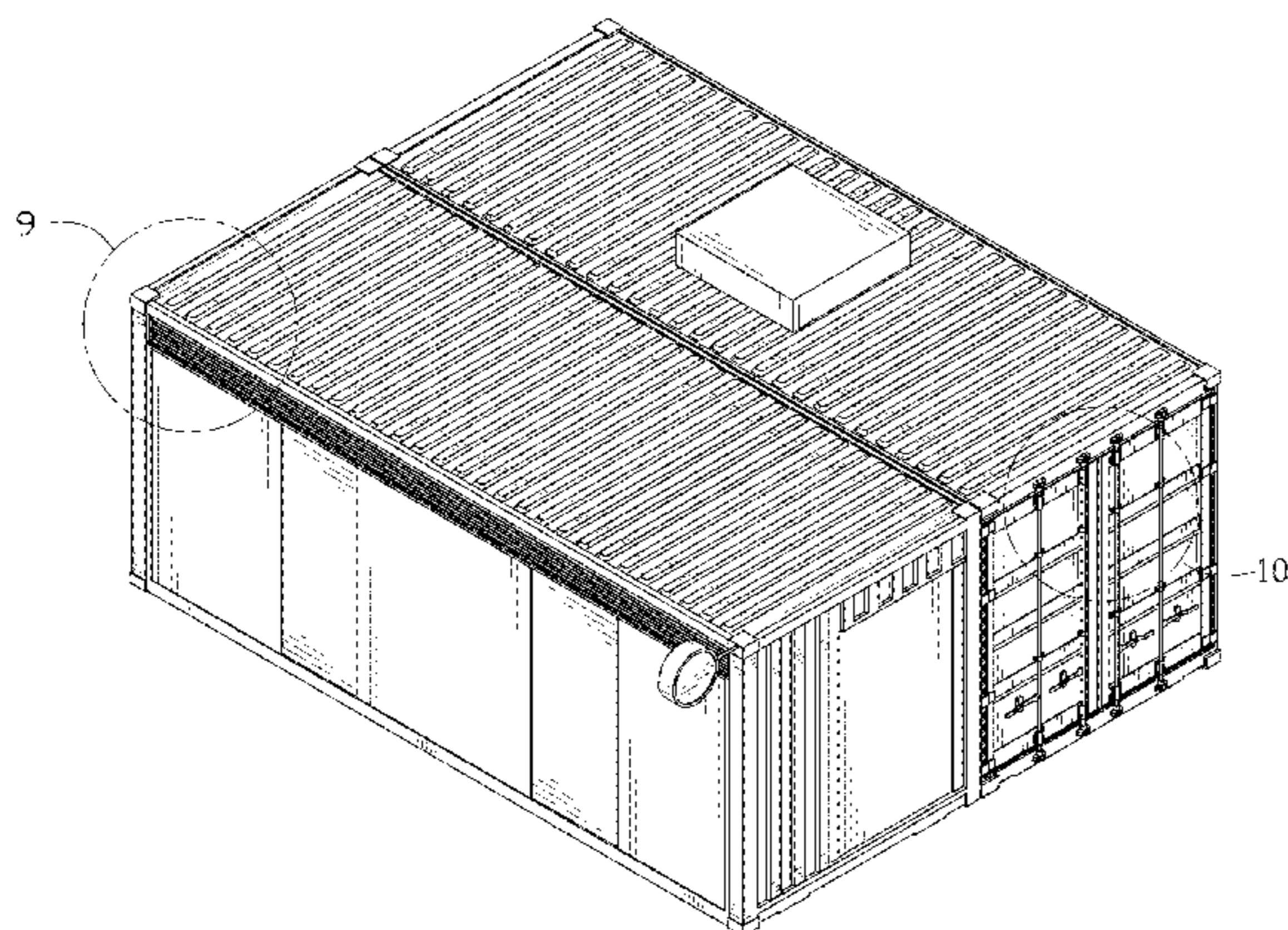
The ornamental design for a container store, as shown and described.

DESCRIPTION

FIG. 1 is a perspective view of a container store showing our new design;
 FIG. 2 is a perspective view from another angle thereof;
 FIG. 3 is a front view thereof;
 FIG. 4 is a rear view thereof;
 FIG. 5 is a left side view thereof;
 FIG. 6 is a right side view thereof;
 FIG. 7 is a top view thereof;
 FIG. 8 is a bottom view thereof;
 FIG. 9 is an enlarged view of the area "9" shown in FIG. 1;
 and,
 FIG. 10 is an enlarged view of the area "10" shown in FIG. 1.

Any shading and cross-hatching are not features of the design but are utilized to illustrate the surface contours of the container store in the drawings.

1 Claim, 10 Drawing Sheets



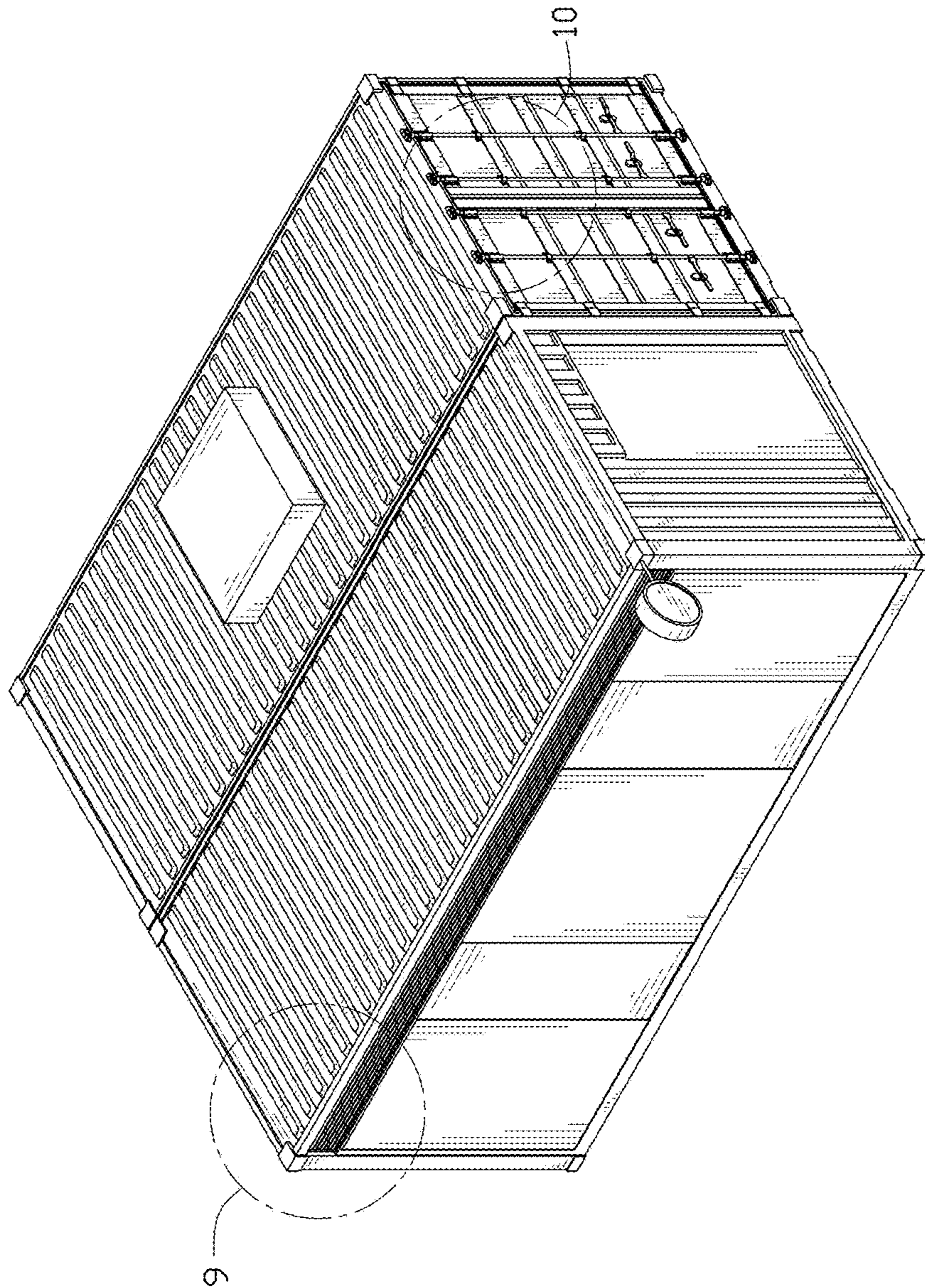


FIG. 1

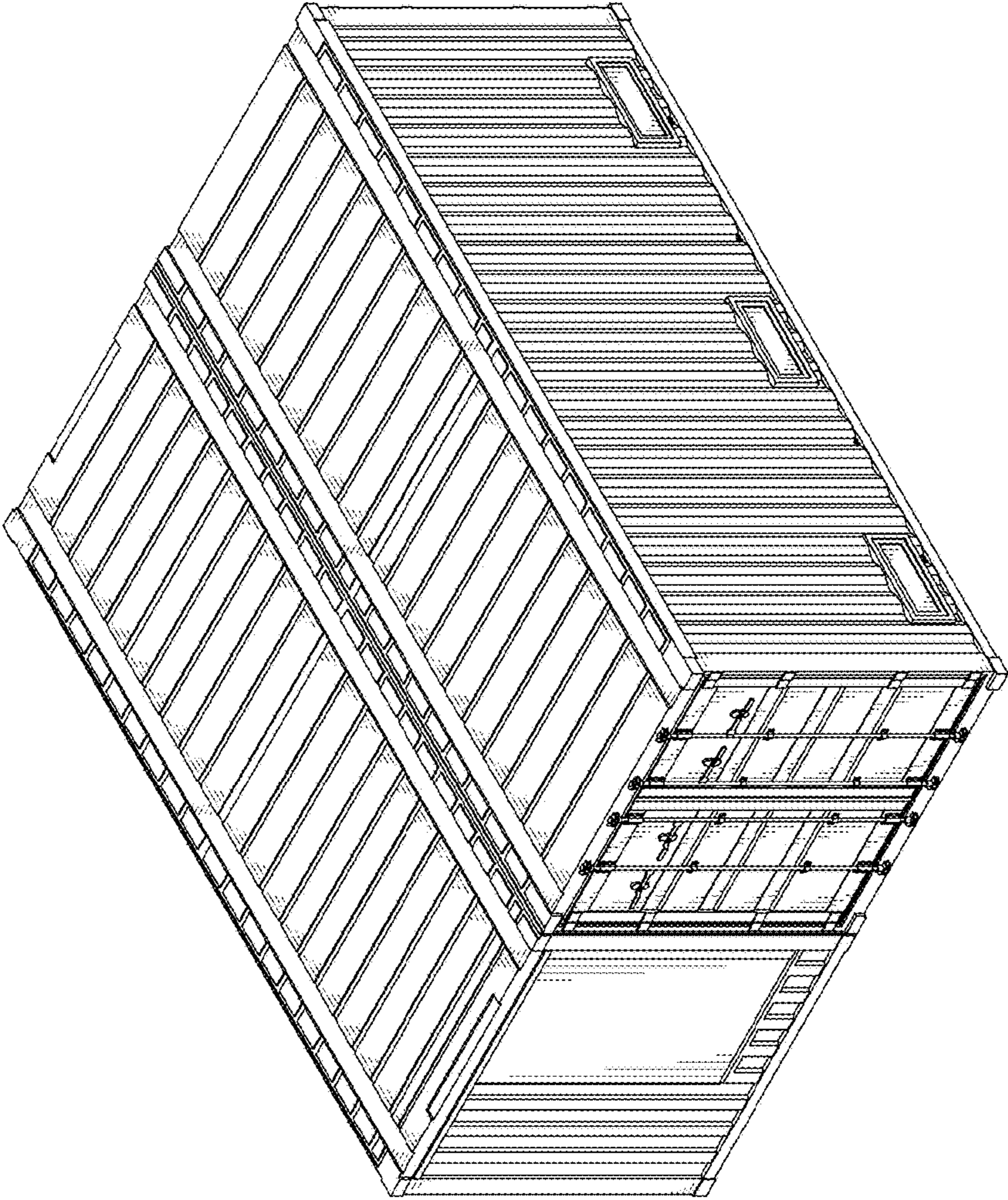


FIG. 2

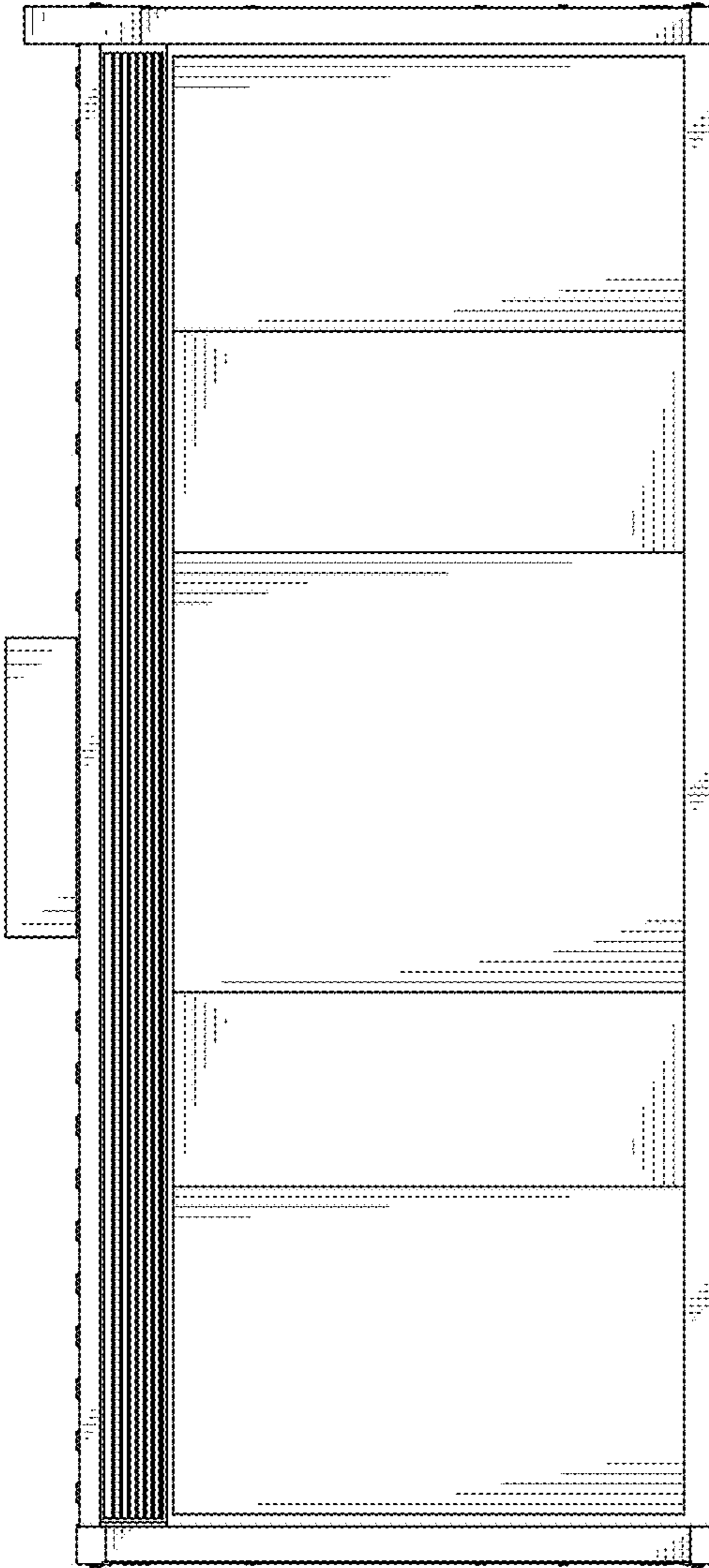


FIG. 3

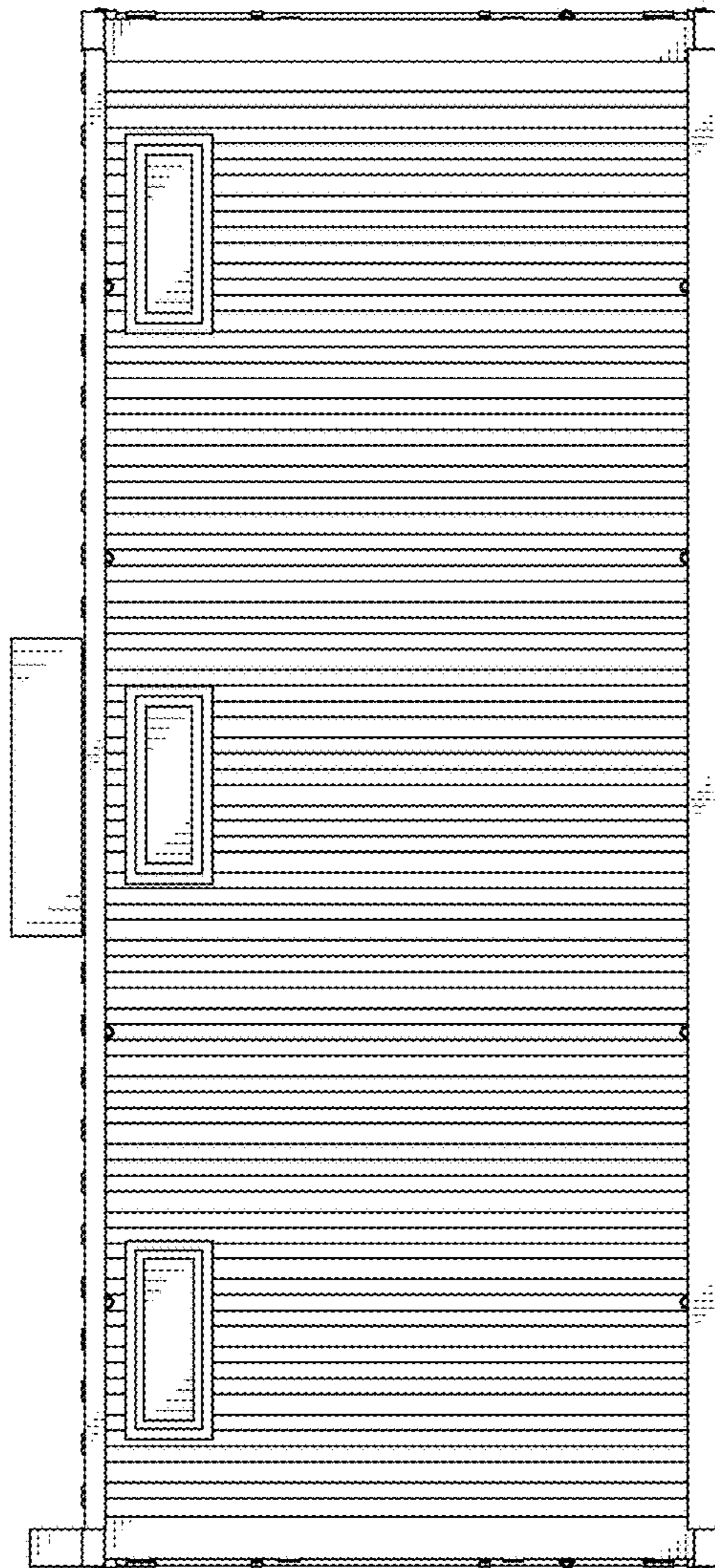


FIG. 4

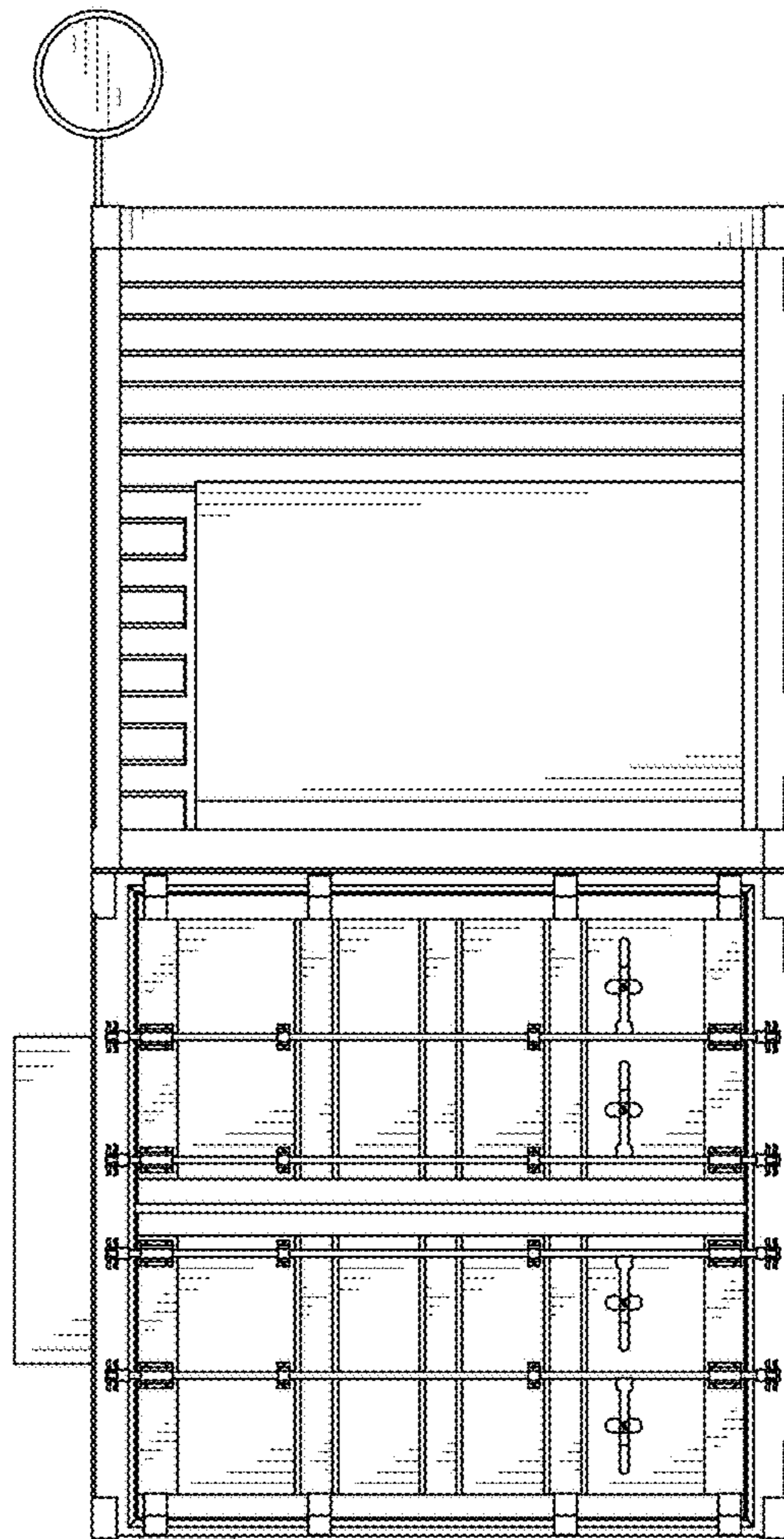


FIG. 5

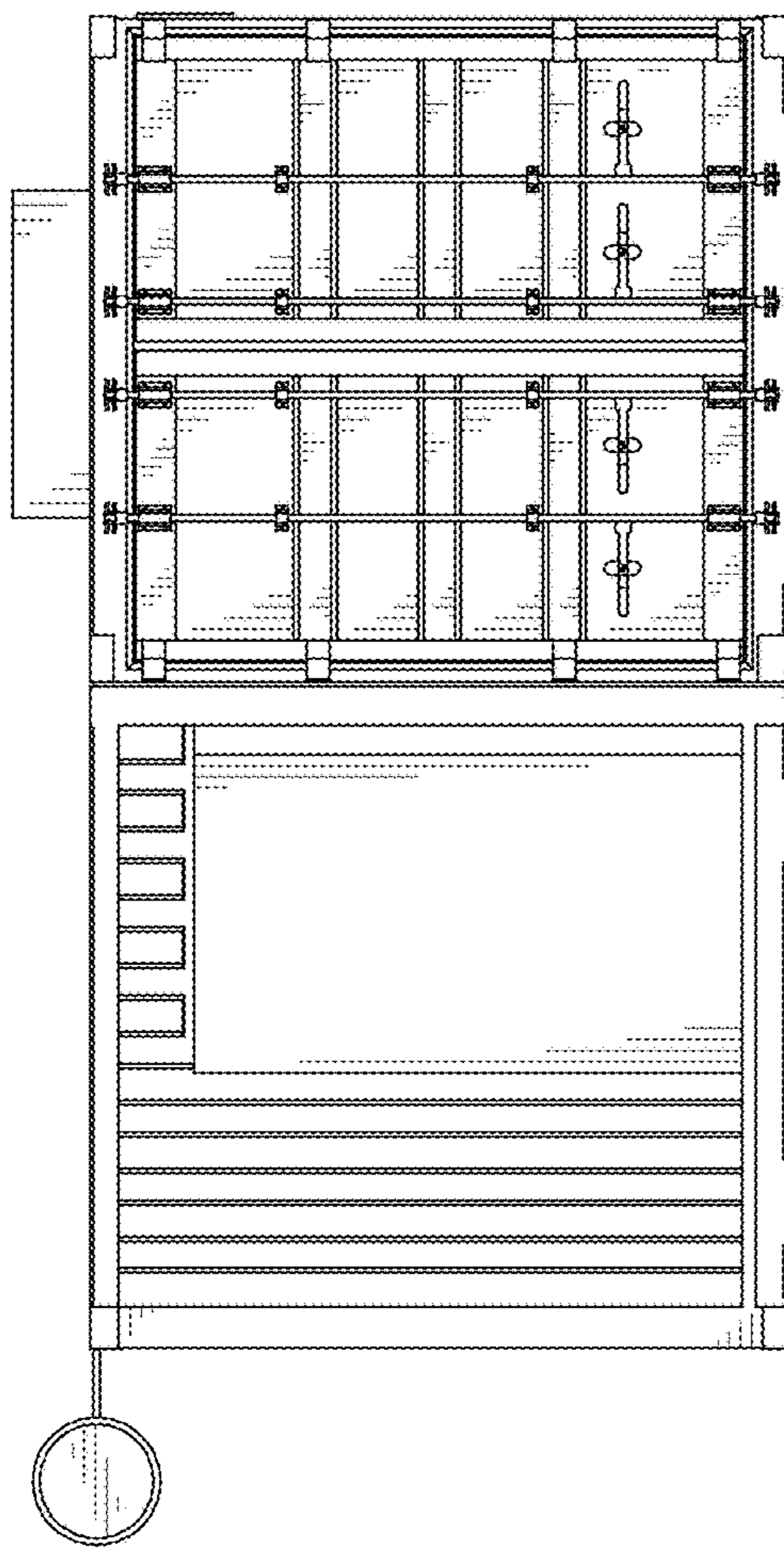


FIG. 6

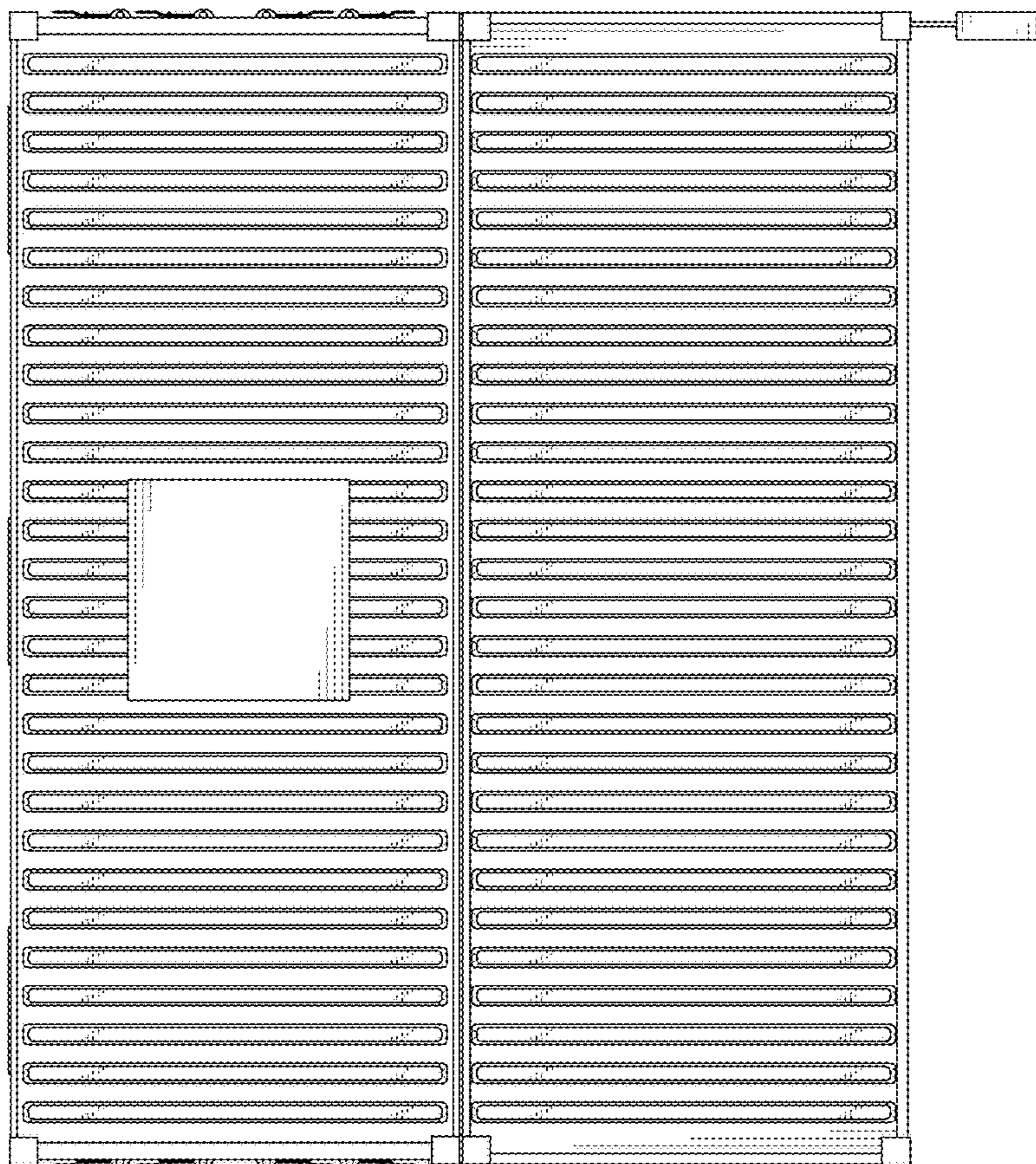


FIG. 7

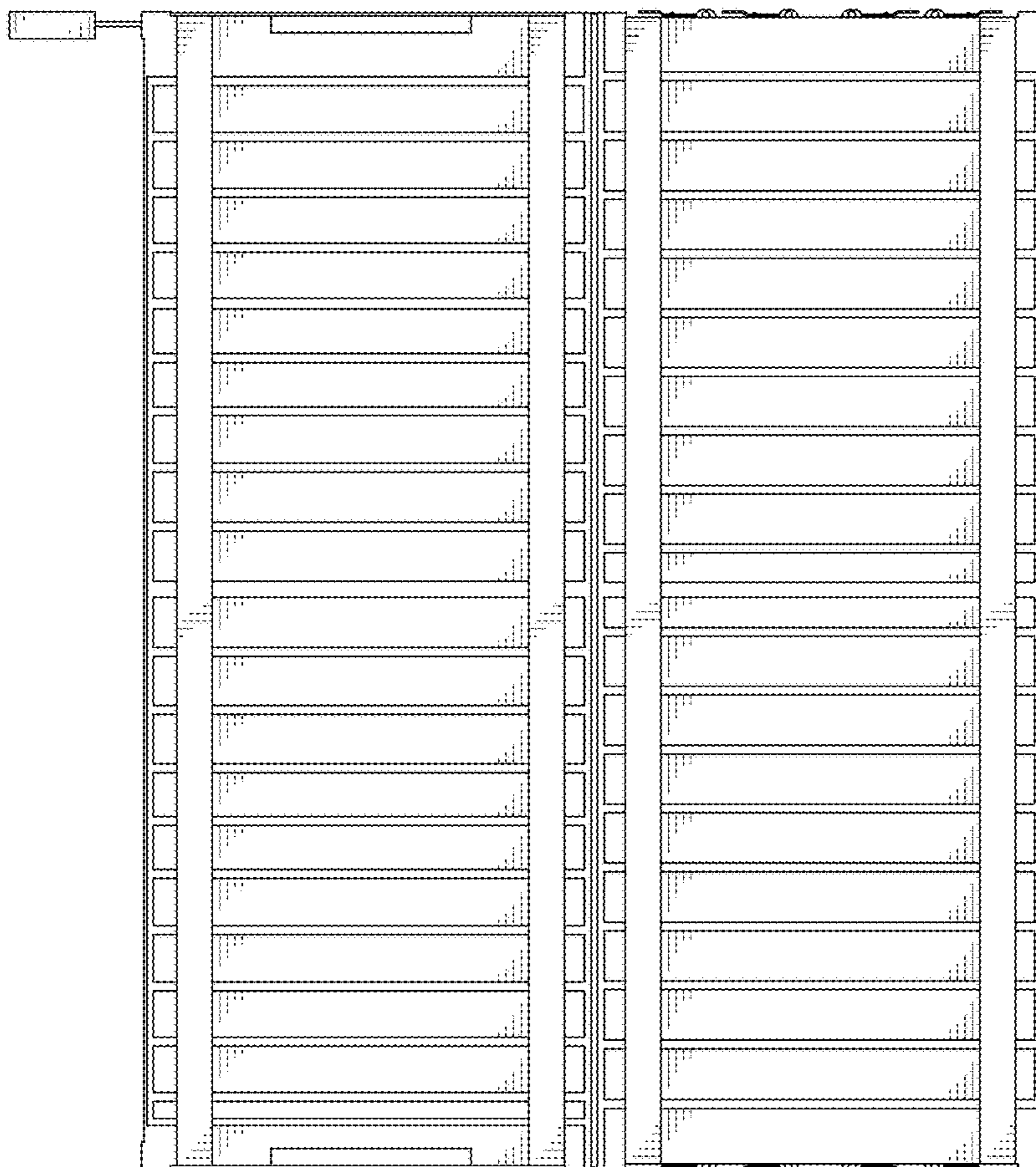


FIG. 8

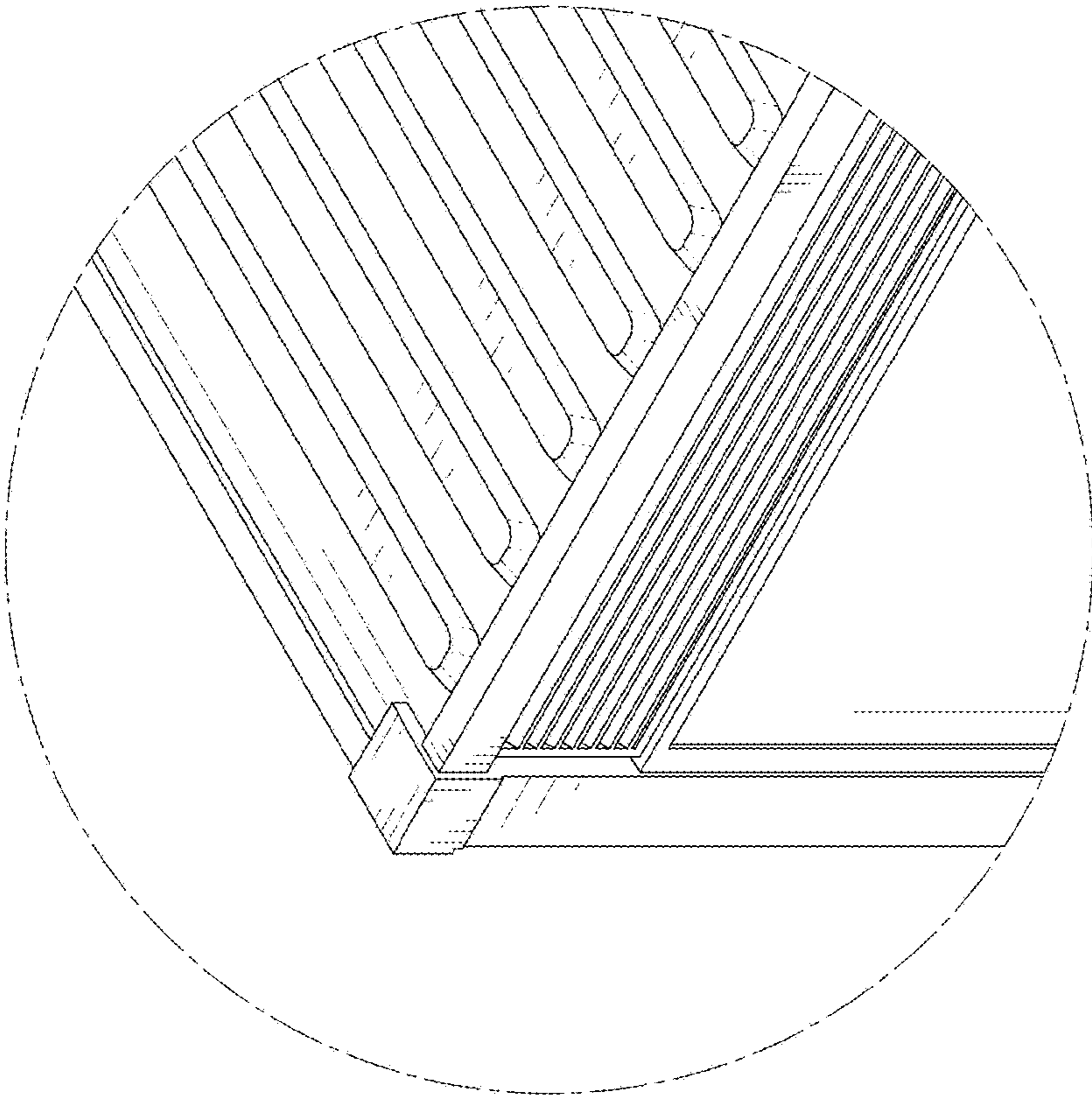


FIG. 9

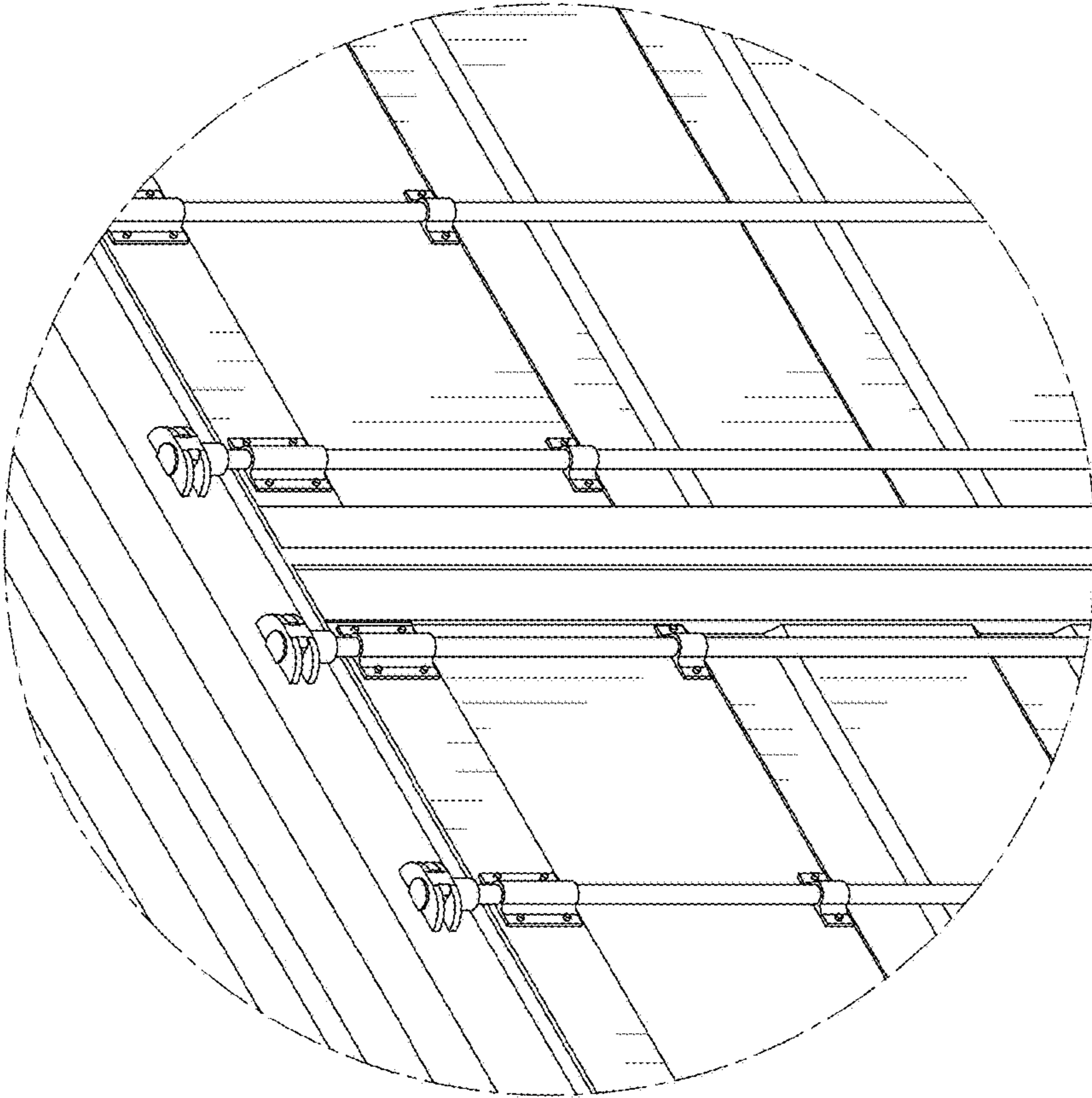


FIG. 10