



US00D844831S

(12) **United States Design Patent**
Gill et al.

(10) **Patent No.:** **US D844,831 S**

(45) **Date of Patent:** **** *Apr. 2, 2019**

(54) **MODULAR BUILDING**

(71) Applicant: **KwikSpace Guam**, Hagatna, GU (US)

(72) Inventors: **Peter E. Gill**, Tamuning, GU (US);
Peter E. Gill, III, Tamuning, GU (US)

(73) Assignee: **KWIKSPACE GUAM**, Hagatna, GU (US)

(*) Notice: This patent is subject to a terminal disclaimer.

(**) Term: **15 Years**

(21) Appl. No.: **29/600,545**

(22) Filed: **Apr. 13, 2017**

(51) **LOC (11) Cl.** **25-03**

(52) **U.S. Cl.**
USPC **D25/33**

(58) **Field of Classification Search**
USPC D25/1, 3, 4, 12, 15-34, 56, 61; D21/837;
135/122, 906, 115
CPC E04H 6/44; E04H 6/025; E04H 1/1205;
E04H 15/36; E04H 15/322; E04H 15/44;
E04H 2001/1283; E04H 1/04; E04H 1/02;
E04H 9/14; E04B 1/342; E04B 1/3205;
E04B 1/34305; E04B 7/166; E04B
1/38415

See application file for complete search history.

(56) **References Cited**

U.S. PATENT DOCUMENTS

5,706,614	A	1/1998	Wiley, Jr. et al.	
D390,970	S *	2/1998	Abrams	D25/1
7,712,265	B2 *	5/2010	Overmyer, Jr.	E04H 1/02 52/143
8,001,730	B2	8/2011	Wallance	
D683,047	S *	5/2013	Gill	D25/22
8,640,396	B1 *	2/2014	Gill	E04H 1/12 52/79.7
D727,531	S *	4/2015	Gill	D25/22

D781,439	S *	3/2017	Gill	D25/1
D781,440	S *	3/2017	Gill	D25/1
D781,441	S *	3/2017	Gill	D25/1
D781,442	S *	3/2017	Gill	D25/32
D781,443	S *	3/2017	Gill	D25/32
D781,444	S *	3/2017	Gill	D25/32
D783,179	S *	4/2017	Gill	D25/32
D783,857	S *	4/2017	Gill	D25/1
D814,658	S *	4/2018	Gill	D25/33
2003/0009954	A1 *	1/2003	Bradley	E04H 1/1205 52/79.1
2005/0066589	A1 *	3/2005	Bedell	E04B 1/34815 52/79.1
2005/0262778	A1 *	12/2005	Allen	E04B 1/34815 52/79.1
2010/0043308	A1 *	2/2010	Keeble	E04B 1/34321 52/79.1
2017/0260737	A1 *	9/2017	Ota	E04H 1/02

* cited by examiner

Primary Examiner — Brett Miller

(74) *Attorney, Agent, or Firm* — Donald J. Ersler

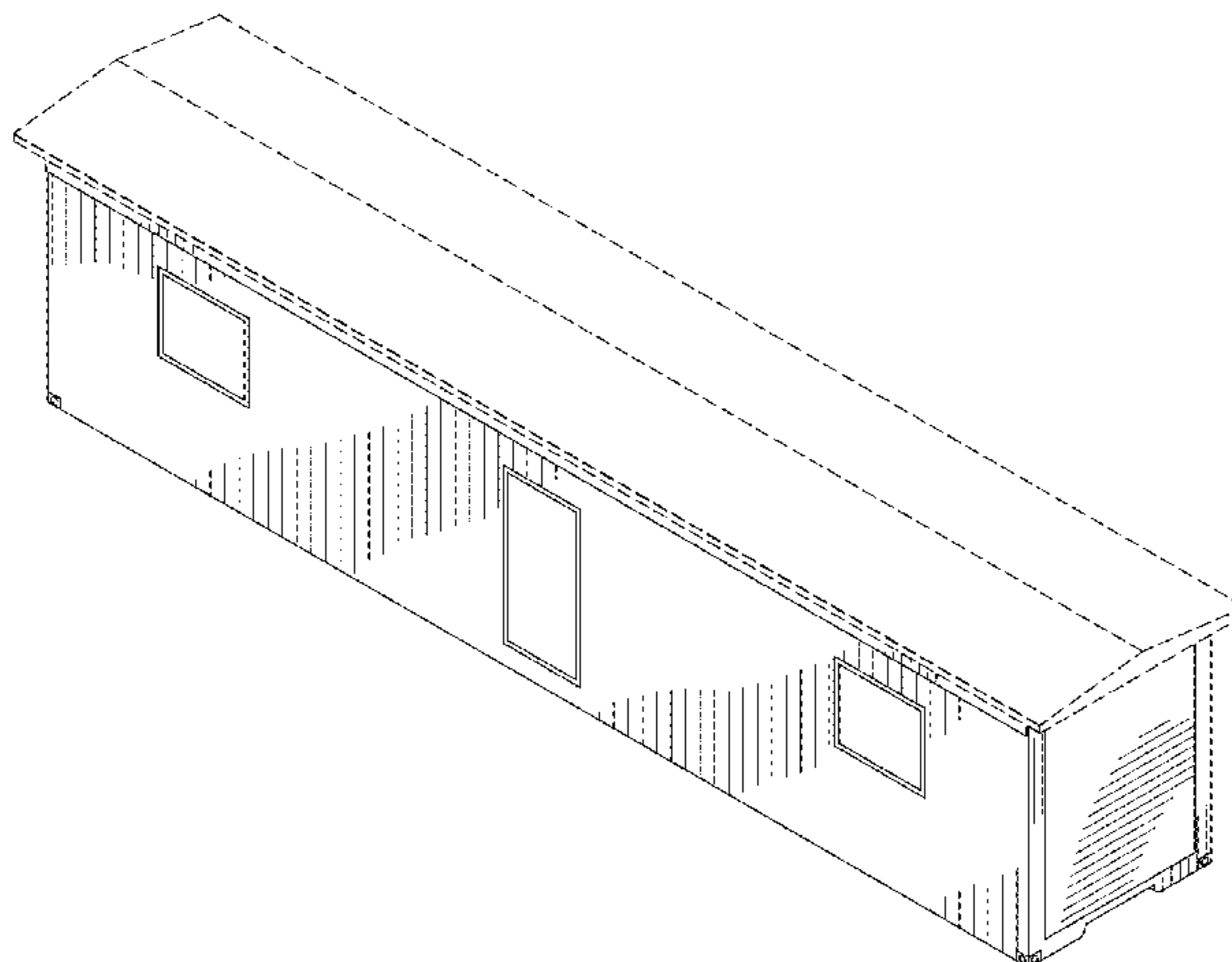
(57) **CLAIM**

The ornamental design for a modular building, as shown and described.

DESCRIPTION

FIG. 1 is a top perspective view of a modular building incorporating our new design;
FIG. 2 is a bottom perspective view thereof;
FIG. 3 is a left side view thereof;
FIG. 4 is a right side view thereof;
FIG. 5 is a front view thereof.
FIG. 6 is a rear view thereof.
FIG. 7 is a top plan view thereof; and,
FIG. 8 is a bottom plan view thereof.
The broken lines shown in the drawings illustrate portions of the modular building that forms no part of the claimed invention.

1 Claim, 5 Drawing Sheets



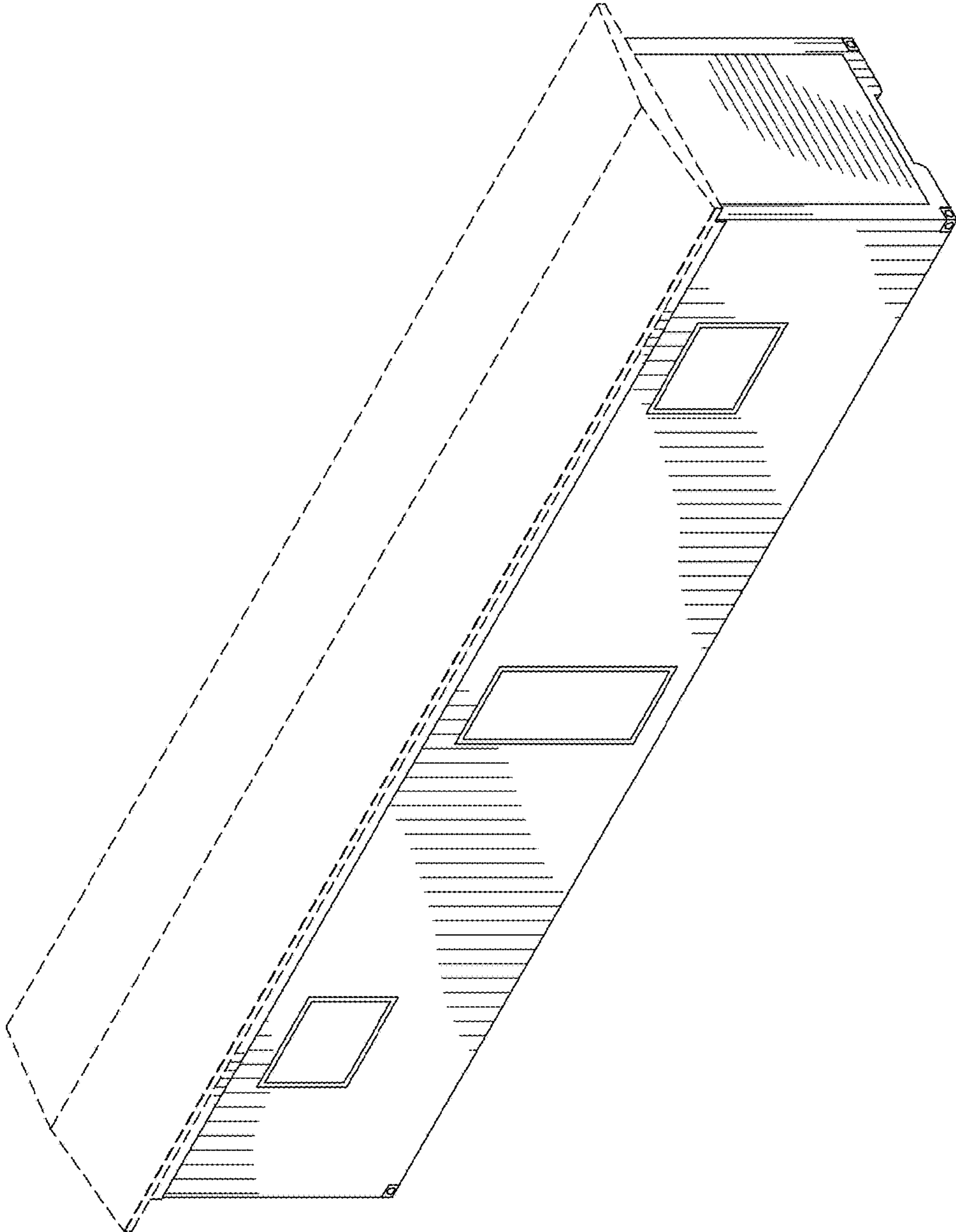


FIG. 1

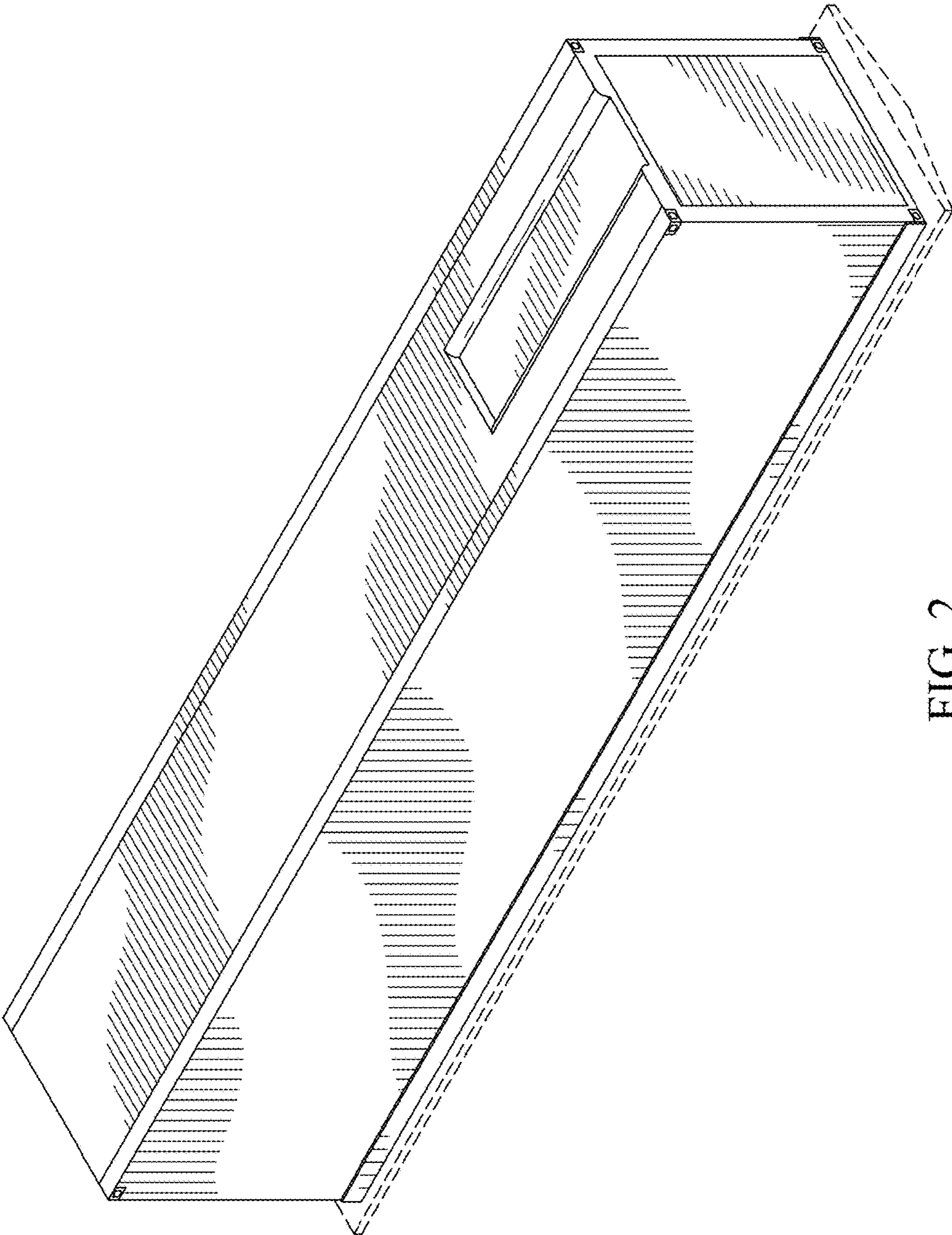


FIG. 2

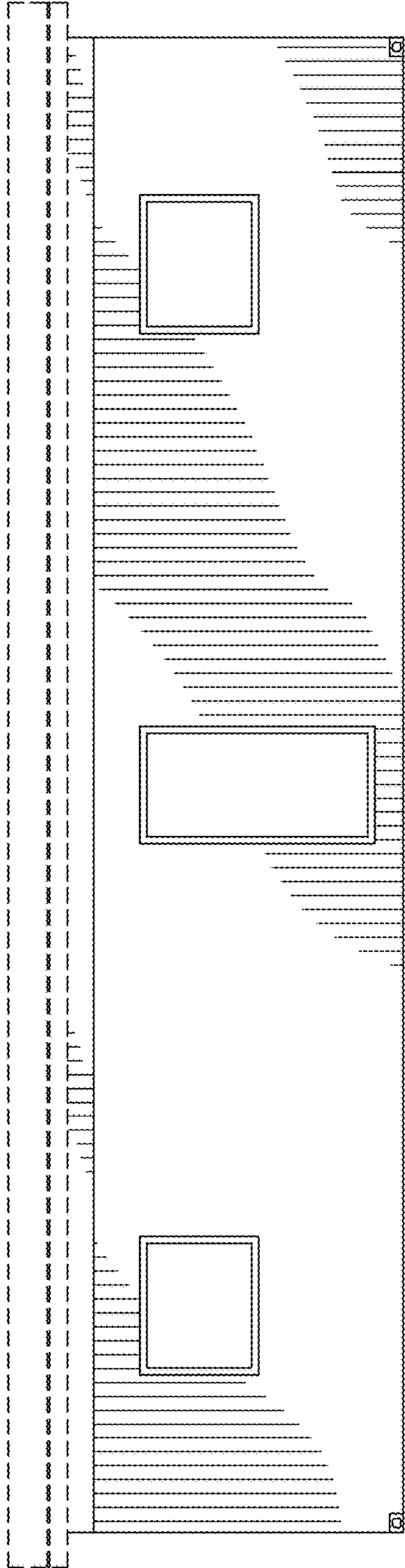


FIG. 3

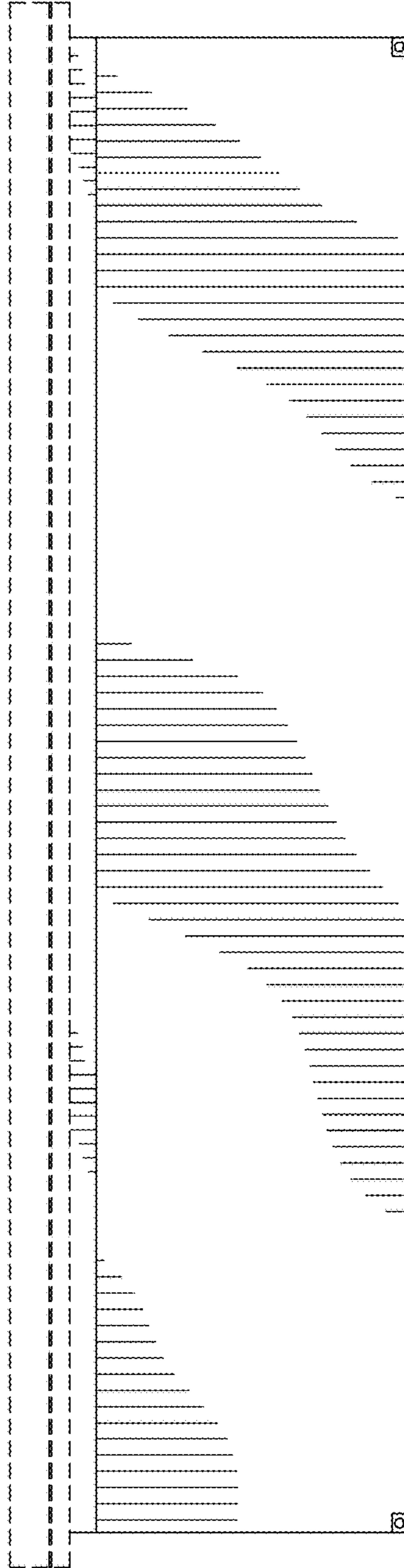


FIG. 4

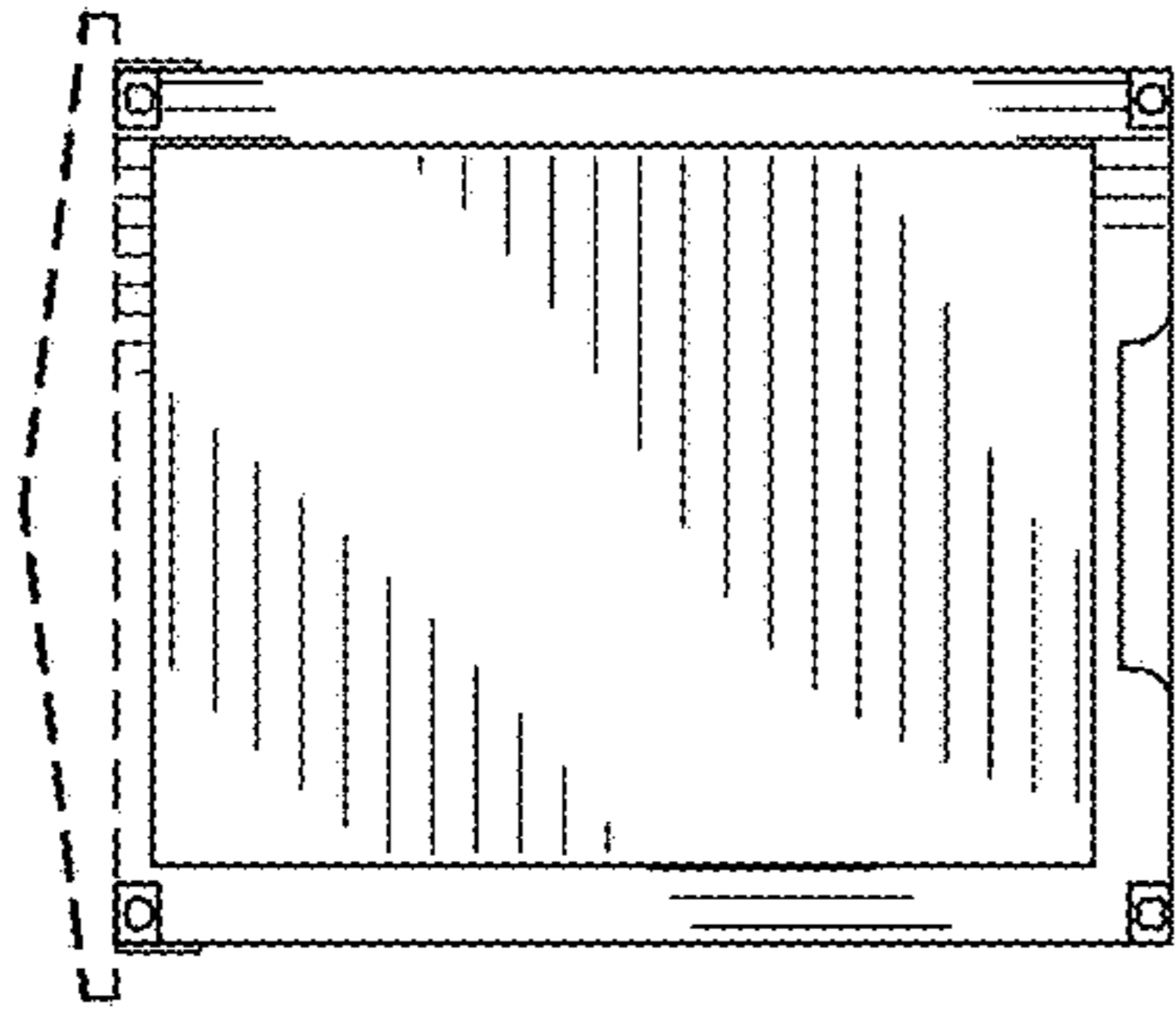


FIG. 5

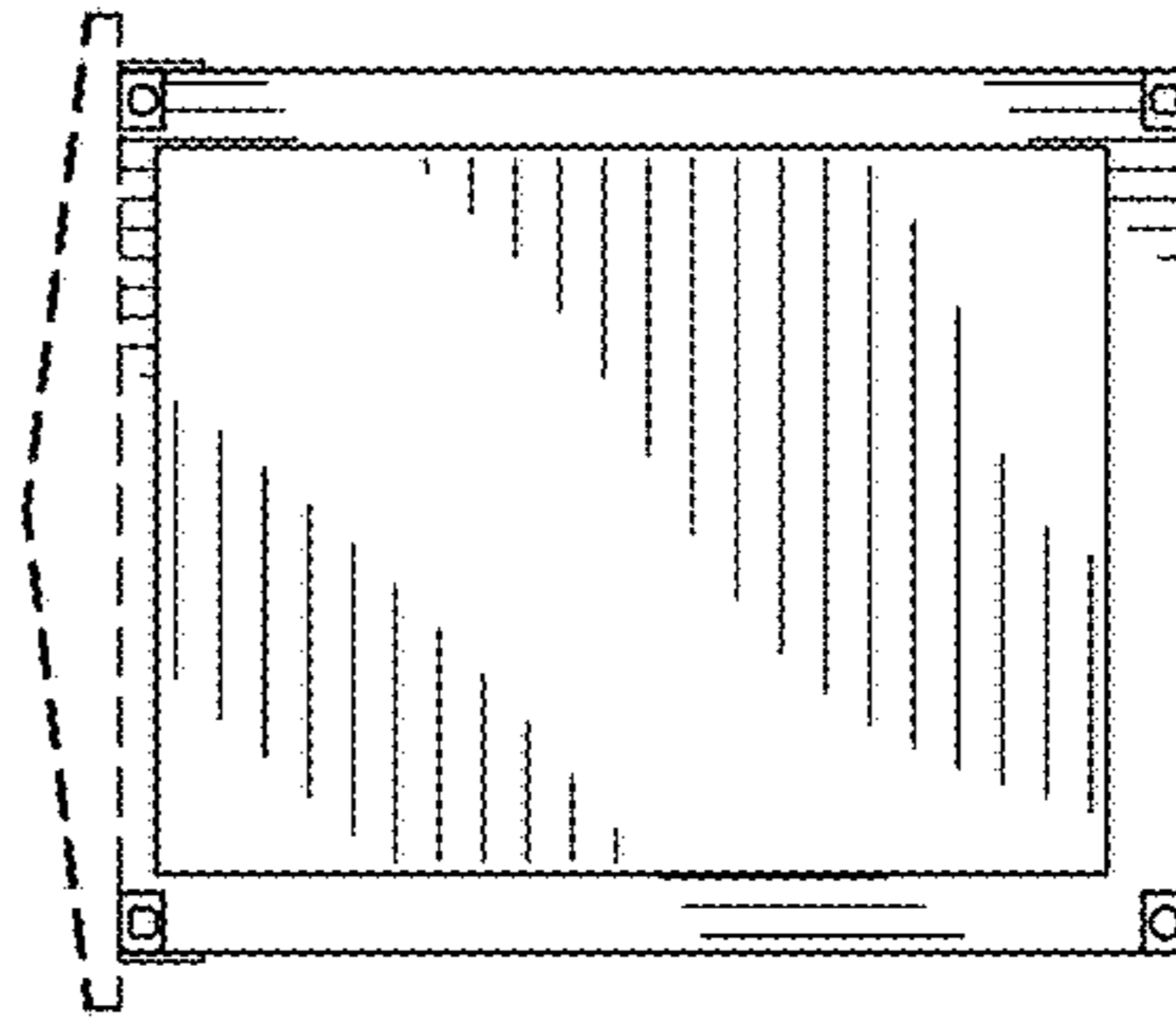


FIG. 6

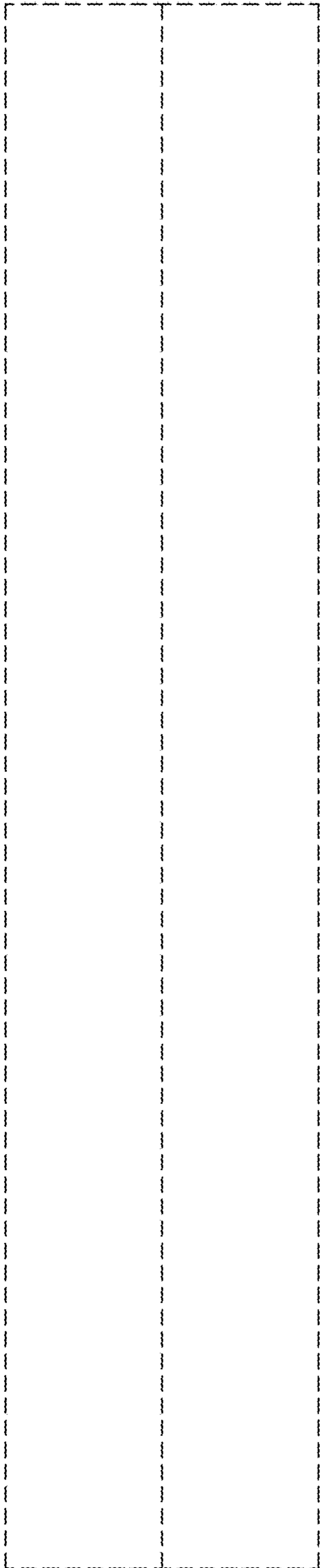


FIG. 7

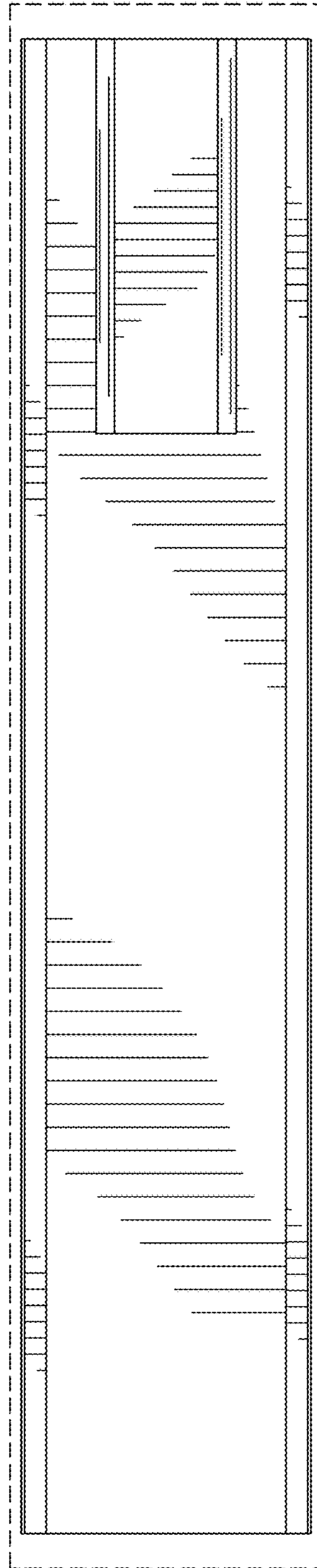


FIG. 8