

US00D844830S

(12) **United States Design Patent**
Lucht

(10) **Patent No.:** **US D844,830 S**

(45) **Date of Patent:** **** Apr. 2, 2019**

(54) **STORAGE CONTAINER**

(71) Applicant: **Duane Lucht**, Winnipeg (CA)

(72) Inventor: **Duane Lucht**, Winnipeg (CA)

(**) Term: **15 Years**

(21) Appl. No.: **29/540,305**

(22) Filed: **Sep. 23, 2015**

(51) **LOC (11) Cl.** **25-03**

(52) **U.S. Cl.**
USPC **D25/33**

(58) **Field of Classification Search**
USPC D25/1, 4, 15, 16, 18, 25, 26, 32, 33;
52/79.1; D34/28; D12/101-102
CPC E04H 1/1205; E04H 1/02; E04H 1/12;
E04H 9/14; E04H 9/16; E04H 15/001;
E04H 15/008; E04H 15/38; E04H
2001/1283; B65D 88/02; B65D 88/022;
B65D 88/12; B65D 88/121

See application file for complete search history.

(56) **References Cited**

U.S. PATENT DOCUMENTS

3,032,227	A *	5/1962	Guralnick	B65D 88/12 220/1.5
D213,079	S *	12/1968	Detanger	D34/28
3,752,349	A *	8/1973	Rana	B65D 88/524 217/14
D339,870	S *	9/1993	Carlin	D25/1
D451,608	S *	12/2001	Zeilinger	D25/33
6,415,557	B1 *	7/2002	McCalley	E04H 9/14 52/79.1

D502,547	S *	3/2005	Hawes	D25/33
D643,542	S *	8/2011	Lucht	D25/33
D646,452	S *	10/2011	Miller	D34/28
D649,261	S *	11/2011	Lucht	D25/33
D650,092	S *	12/2011	Lucht	D25/33
D721,823	S *	1/2015	Lucht	D25/33
9,657,490	B1 *	5/2017	Willsey	E04H 9/14
2016/0273271	A1 *	9/2016	Morrell	E04H 1/1205

* cited by examiner

Primary Examiner — Brett Miller

(74) *Attorney, Agent, or Firm* — Ryan W. Dupuis; Ade & Company Inc.; Kyle R. Satterthwaite

(57) **CLAIM**

The ornamental design for a storage container, as shown and described.

DESCRIPTION

FIG. 1 is a perspective view of the front and the left side of the storage container.

FIG. 2 is a perspective view of the rear, the top, and the right side of the storage container.

FIG. 3 is a front elevational view of the storage container.

FIG. 4 is a left side elevational view of the storage container.

FIG. 5 is a right side elevational view of the storage container.

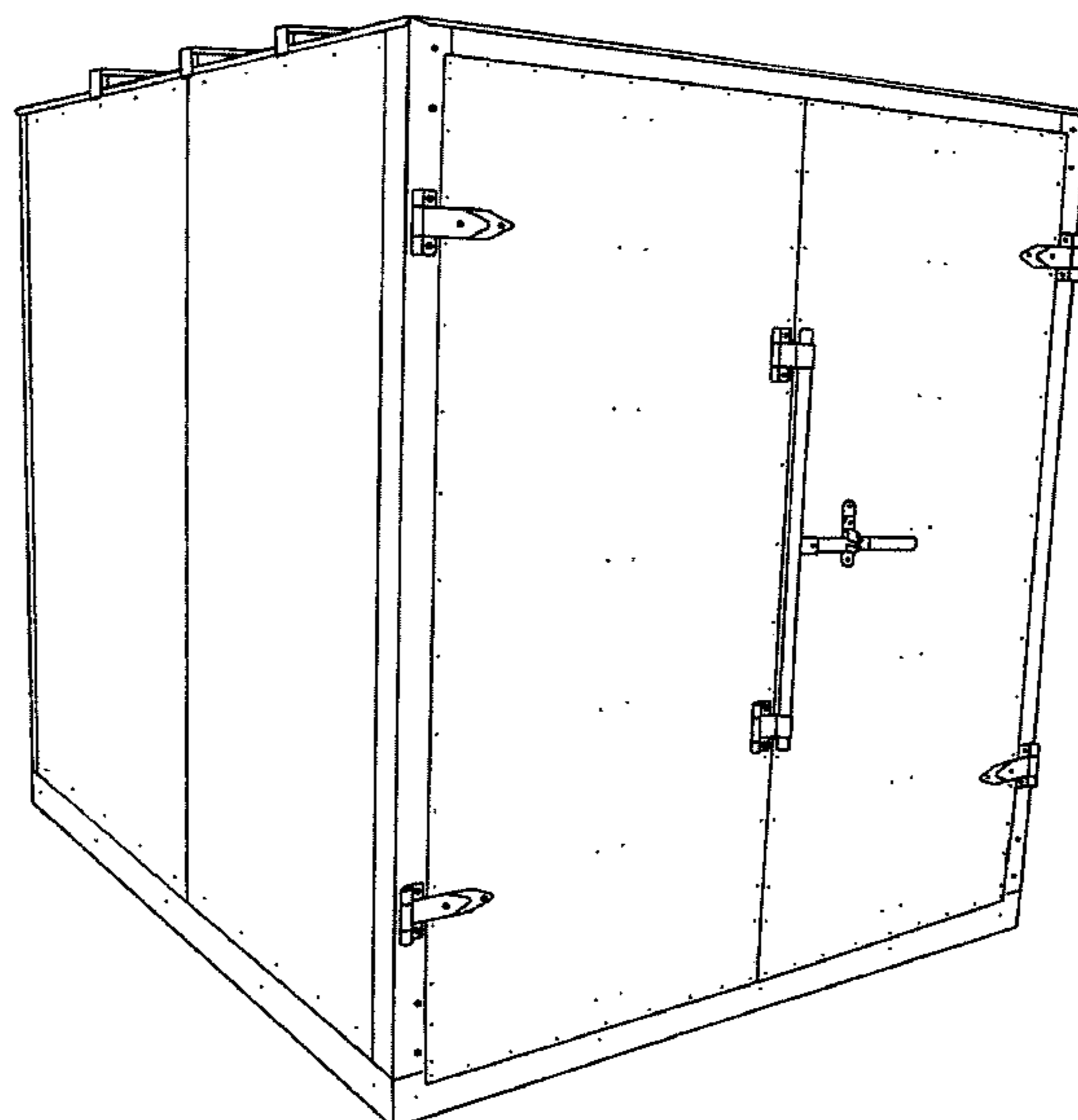
FIG. 6 is a rear elevational view of the storage container.

FIG. 7 is a top plan view of the storage container; and,

FIG. 8 is a bottom plan view of the storage container.

The broken lines shown in FIG. 8 represent floor joists and form no part of the claimed design.

1 Claim, 8 Drawing Sheets



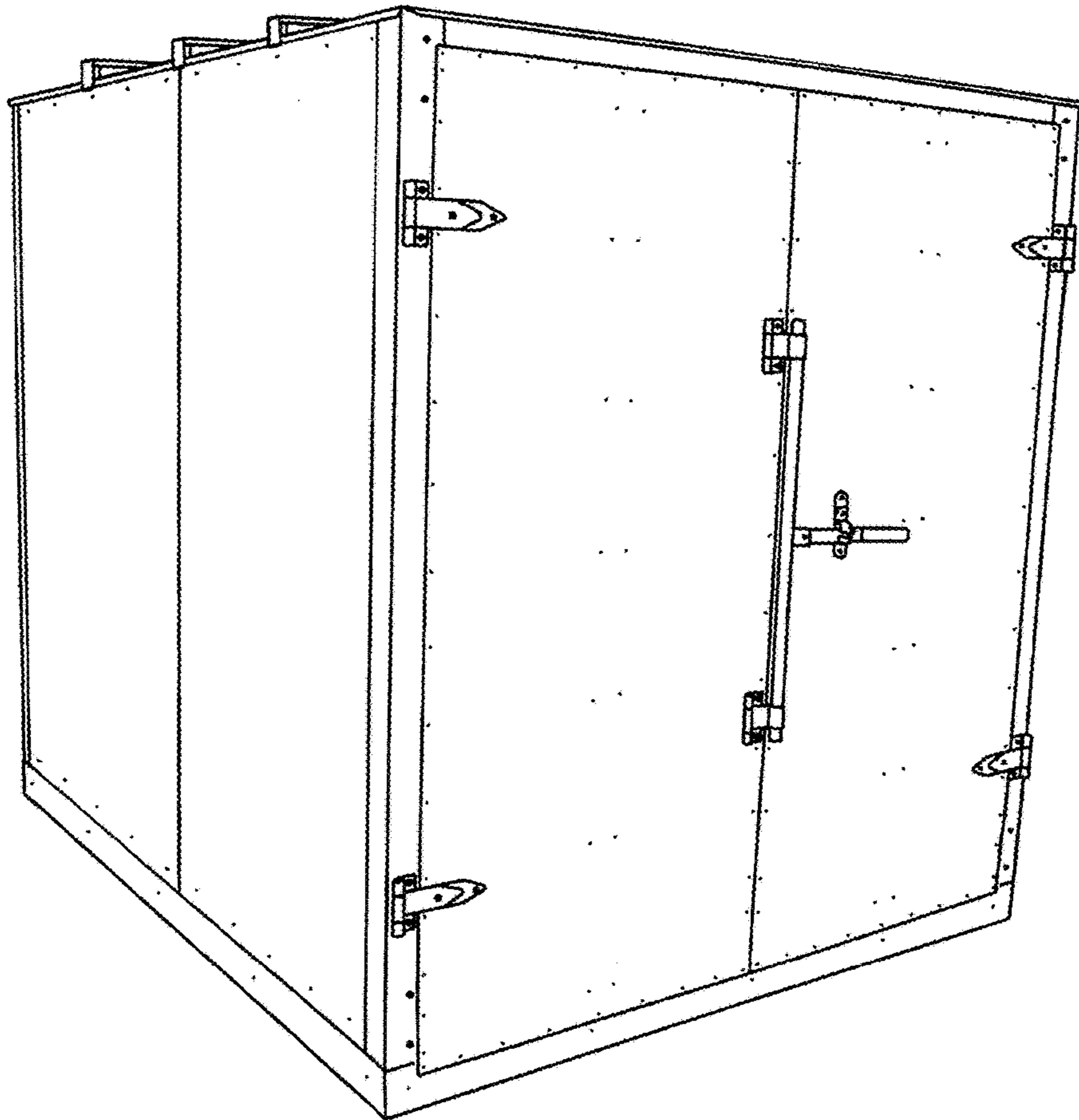


FIG. 1

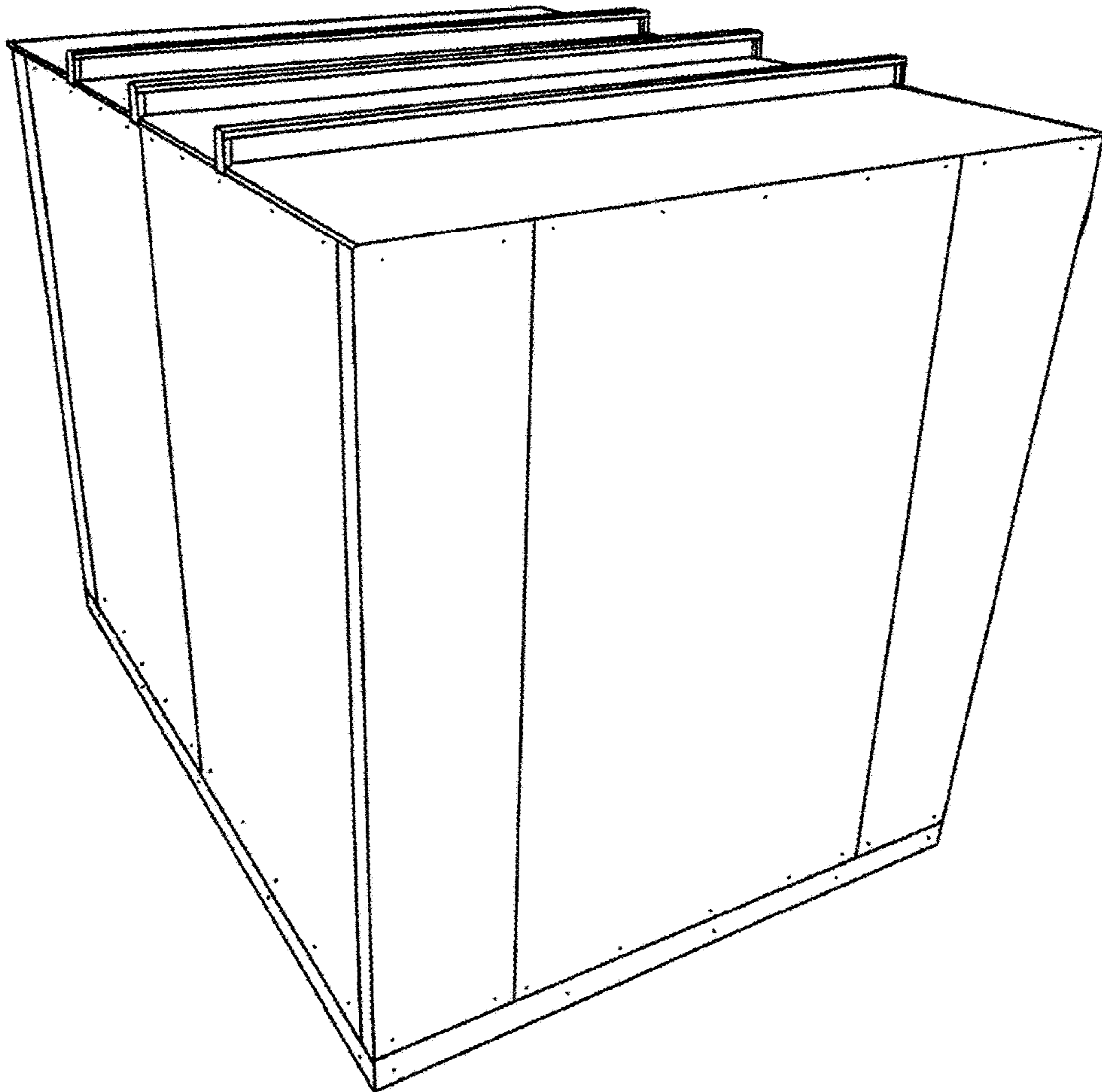


FIG. 2

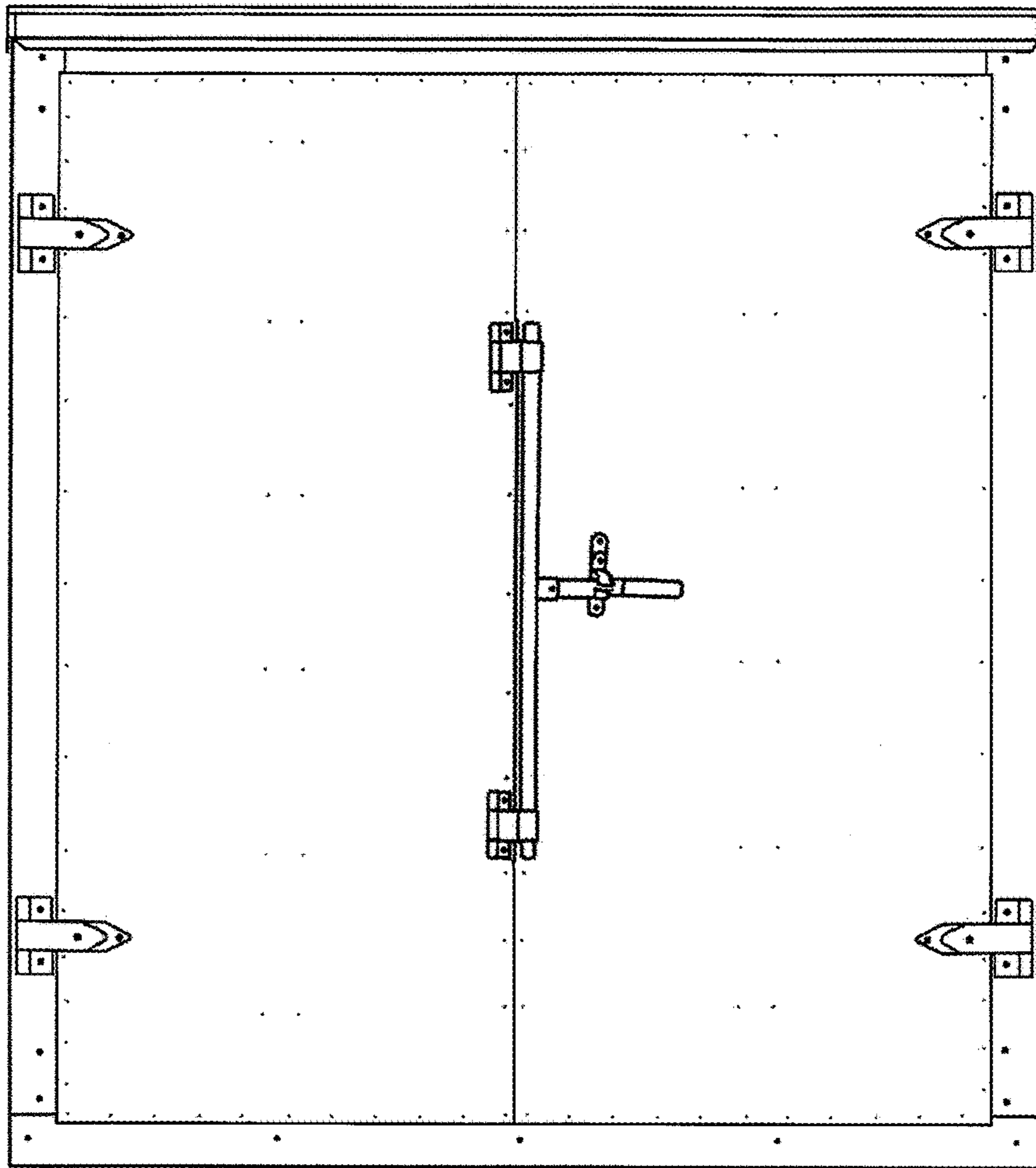


FIG. 3

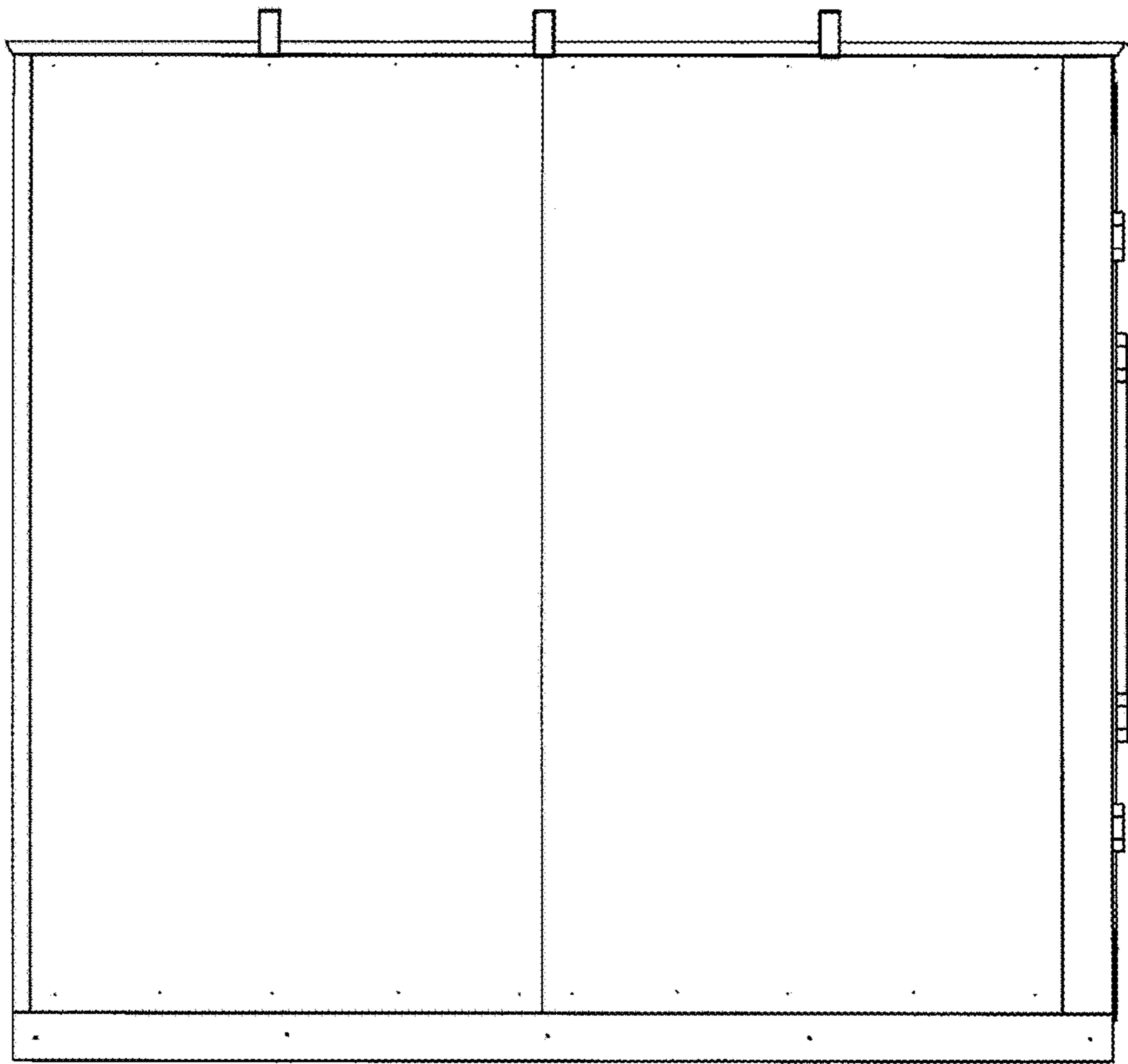


FIG. 4

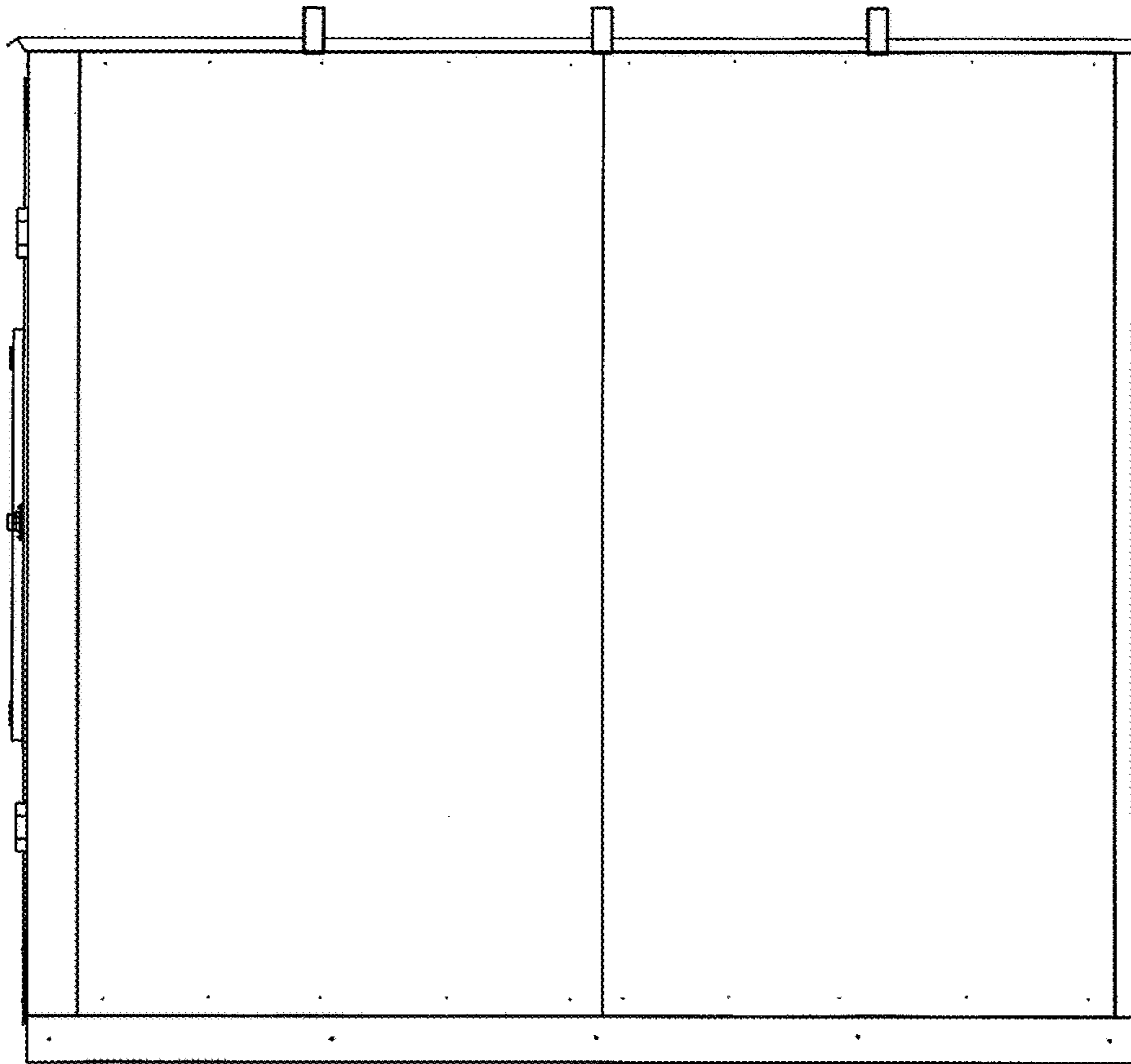


FIG. 5

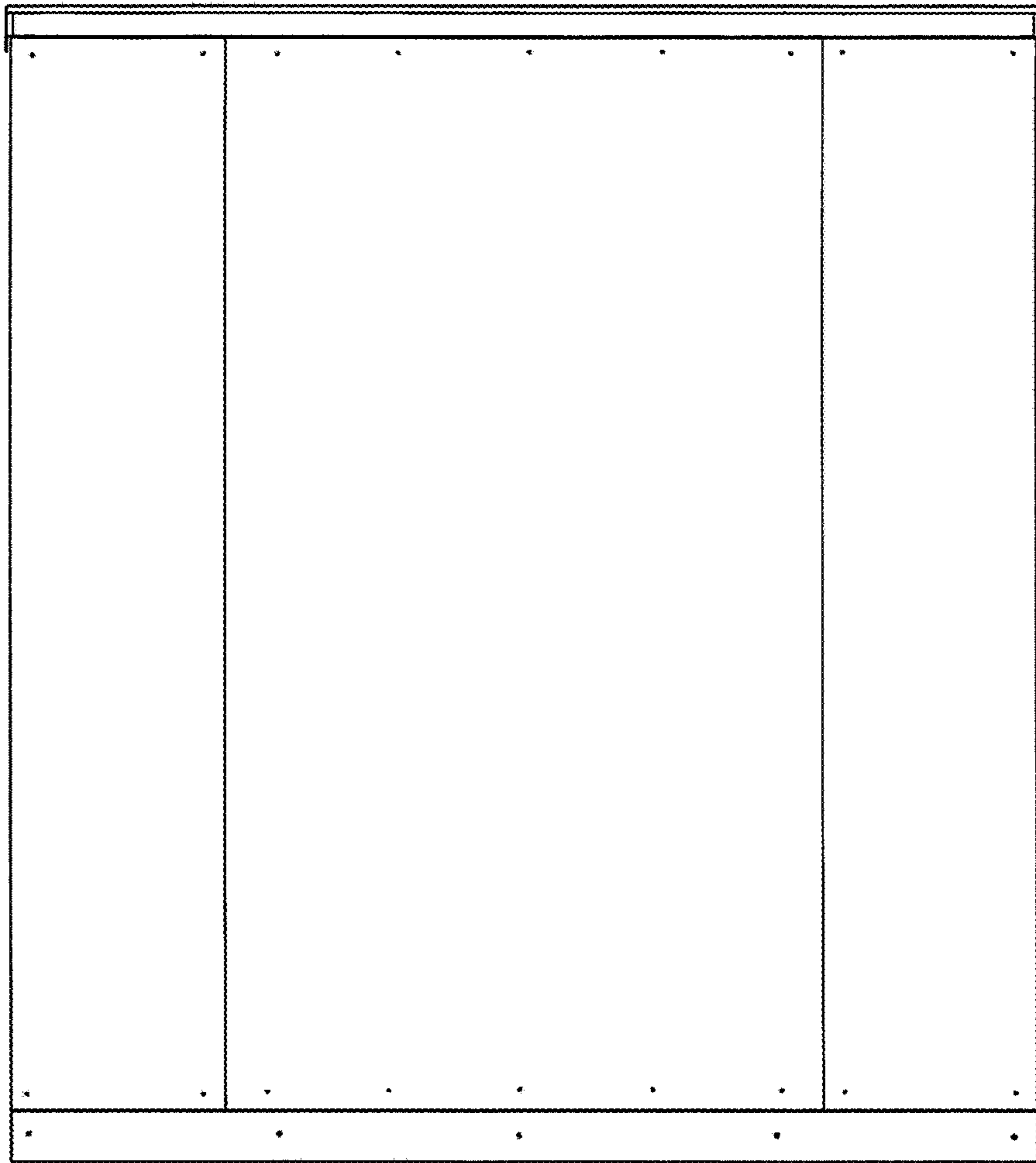


FIG. 6



FIG. 7

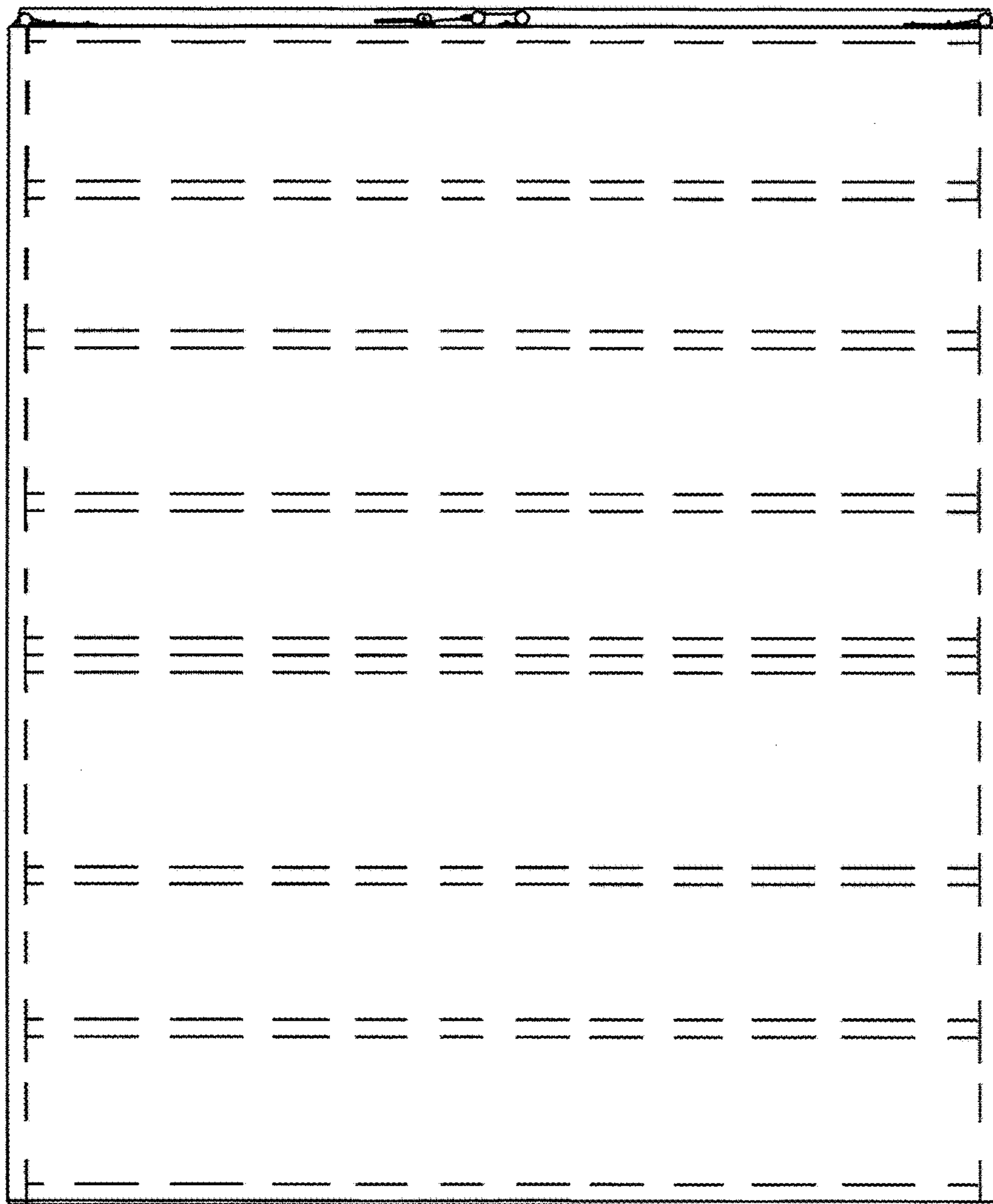


FIG. 8