



US00D844828S

(12) **United States Design Patent**
Tsukii

(10) **Patent No.:** **US D844,828 S**

(45) **Date of Patent:** **** Apr. 2, 2019**

(54) **MULTI STORY MODULAR HOME**

(71) Applicant: **Toshikazu Tsukii**, Oro Valley, AZ (US)

(72) Inventor: **Toshikazu Tsukii**, Oro Valley, AZ (US)

(**) Term: **15 Years**

(21) Appl. No.: **29/647,667**

(22) Filed: **May 15, 2018**

(51) **LOC (11) Cl.** **25-03**

(52) **U.S. Cl.**
USPC **D25/18**

(58) **Field of Classification Search**

USPC D25/1, 3-35, 55-59, 61; 52/79.1-79.9
CPC E04H 1/00-1/1277; E04H 1/14; E04H
3/00-3/04; E04H 2001/1283-2001/1294;
E04H 6/44; E04B 1/34823; E04B 1/3483;
E04B 1/3444; E04B 1/3431; E04B 1/343;
E04B 1/34869; E04B 1/34321

See application file for complete search history.

(56) **References Cited**

U.S. PATENT DOCUMENTS

1,182,082	A *	5/1916	Fouts	E04B 1/08 D25/18
1,857,189	A *	5/1932	Gillespie	E04H 1/02 52/185
D130,582	S *	12/1941	Kaufmann	D25/18
D138,436	S *	8/1944	Clark	D25/18
D138,447	S *	8/1944	Van Scoy	D25/17
D152,966	S *	3/1949	Harris	D25/18
D153,044	S *	3/1949	Shannon	D25/17
3,510,997	A *	5/1970	Ratych	E04B 1/34823 52/79.2
D222,038	S *	9/1971	Hughes	D12/103
3,932,970	A *	1/1976	Winders	E04H 1/04 52/169.1
D275,610	S *	9/1984	Robertshaw	D25/18
5,344,362	A *	9/1994	Bagley	A01F 25/02 454/180

D484,612	S *	12/2003	Greene	D25/15
8,650,806	B1 *	2/2014	Condie	E04H 1/1205 52/79.5
8,875,445	B2 *	11/2014	Lippert	E04H 1/005 52/236.4

(Continued)

Primary Examiner — Brett Miller

(74) *Attorney, Agent, or Firm* — Eugene Vamos

(57) **CLAIM**

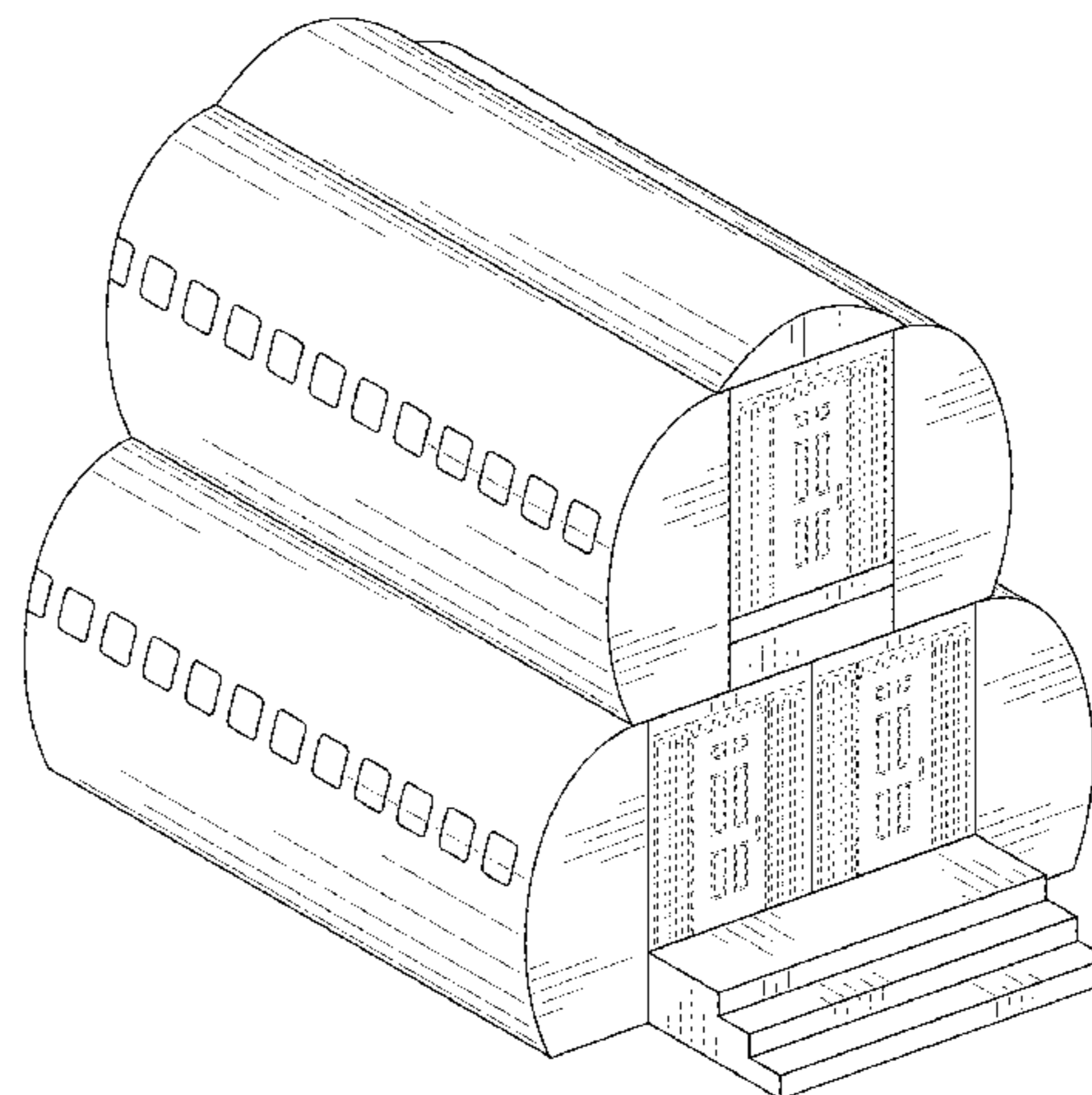
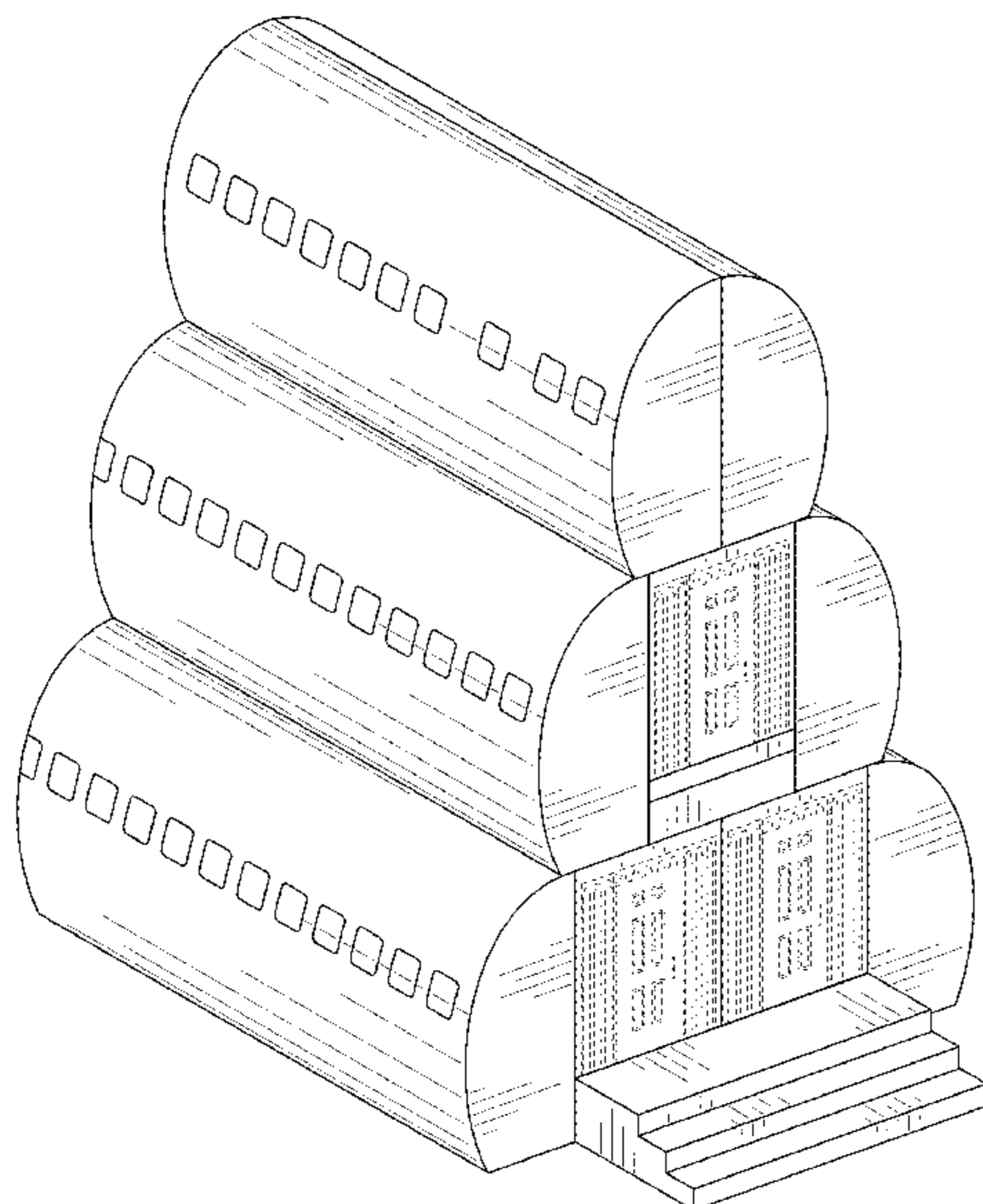
The ornamental design for a multi story modular home, as shown and described.

DESCRIPTION

FIG. 1 is a perspective view of a first embodiment of a multi story modular home showing my new design;
 FIG. 2 is a front elevation view thereof;
 FIG. 3 is a back elevation view thereof;
 FIG. 4 is a right side elevation view thereof;
 FIG. 5 is a left side elevation view thereof;
 FIG. 6 is a top plan view thereof;
 FIG. 7 is a perspective view of a second embodiment of the multi story modular home;
 FIG. 8 is a front elevation view of FIG. 7;
 FIG. 9 is a back elevation view of FIG. 7;
 FIG. 10 is a right side elevation view of FIG. 7;
 FIG. 11 is a left side elevation view of FIG. 7;
 FIG. 12 is a top plan view of FIG. 7;
 FIG. 13 is a perspective view of a third embodiment of the multi story modular home;
 FIG. 14 is a front elevation view of FIG. 13;
 FIG. 15 is a back elevation view of FIG. 13;
 FIG. 16 is a right side elevation view of FIG. 13;
 FIG. 17 is a left side elevation view of FIG. 13; and,
 FIG. 18 is a top plan view of FIG. 13.

The broken lines are for environmental purposes only and form no part of the claimed design.

1 Claim, 17 Drawing Sheets



(56)

References Cited

U.S. PATENT DOCUMENTS

D825,779 S * 8/2018 Baik D25/29
2012/0151851 A1* 6/2012 Cantin E04B 1/34305
52/79.5

* cited by examiner

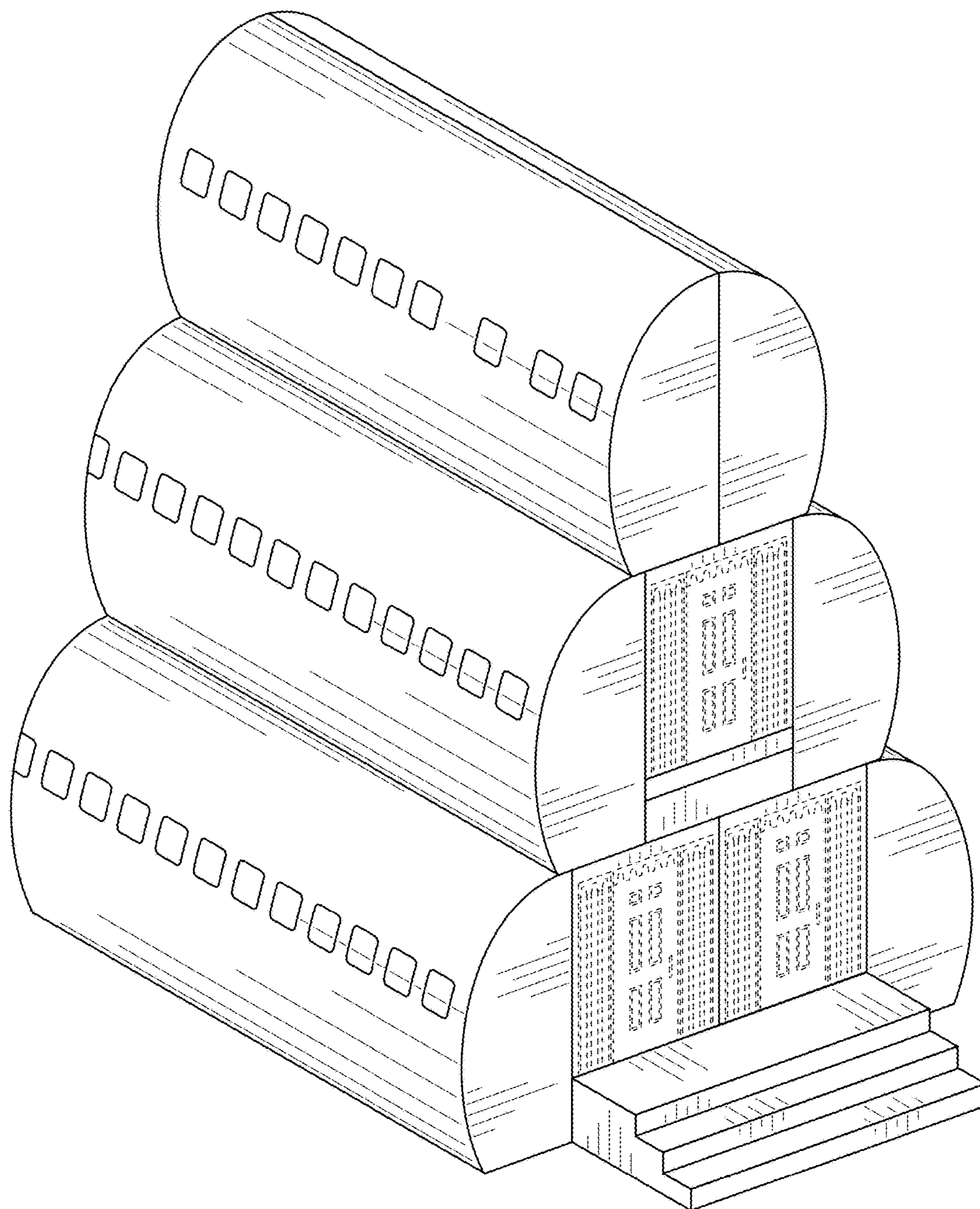


FIG. 1

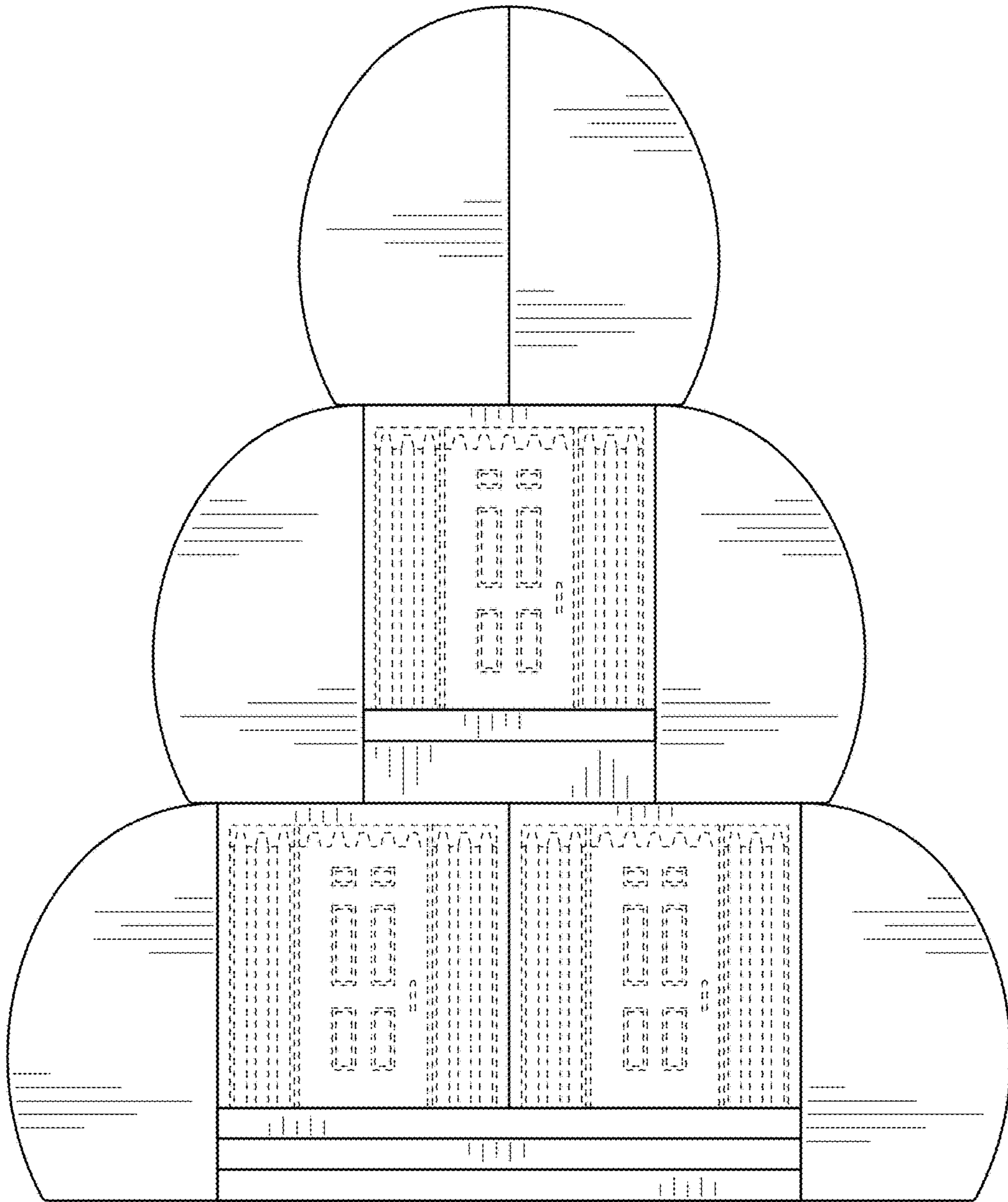


FIG. 2

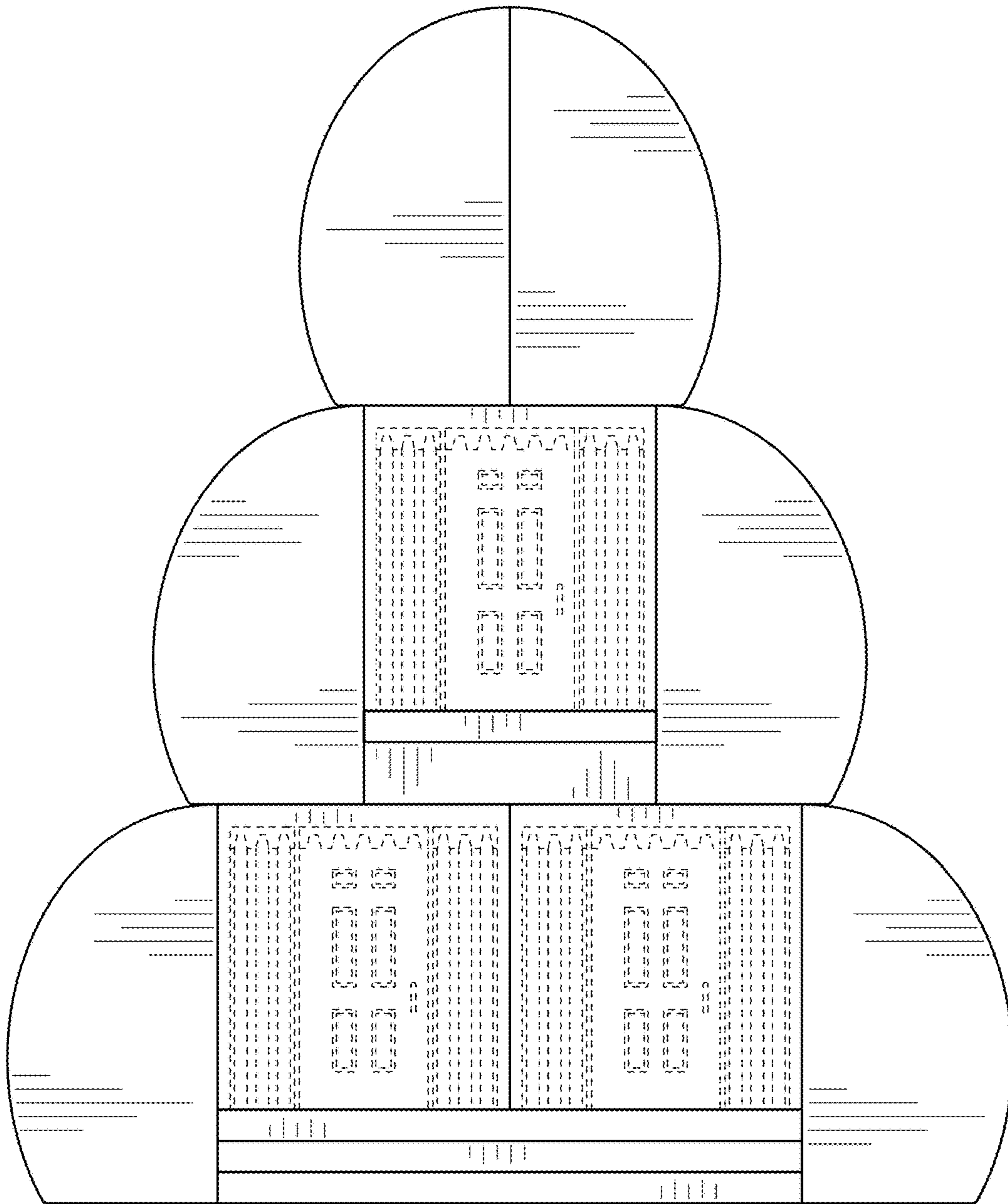


FIG. 3

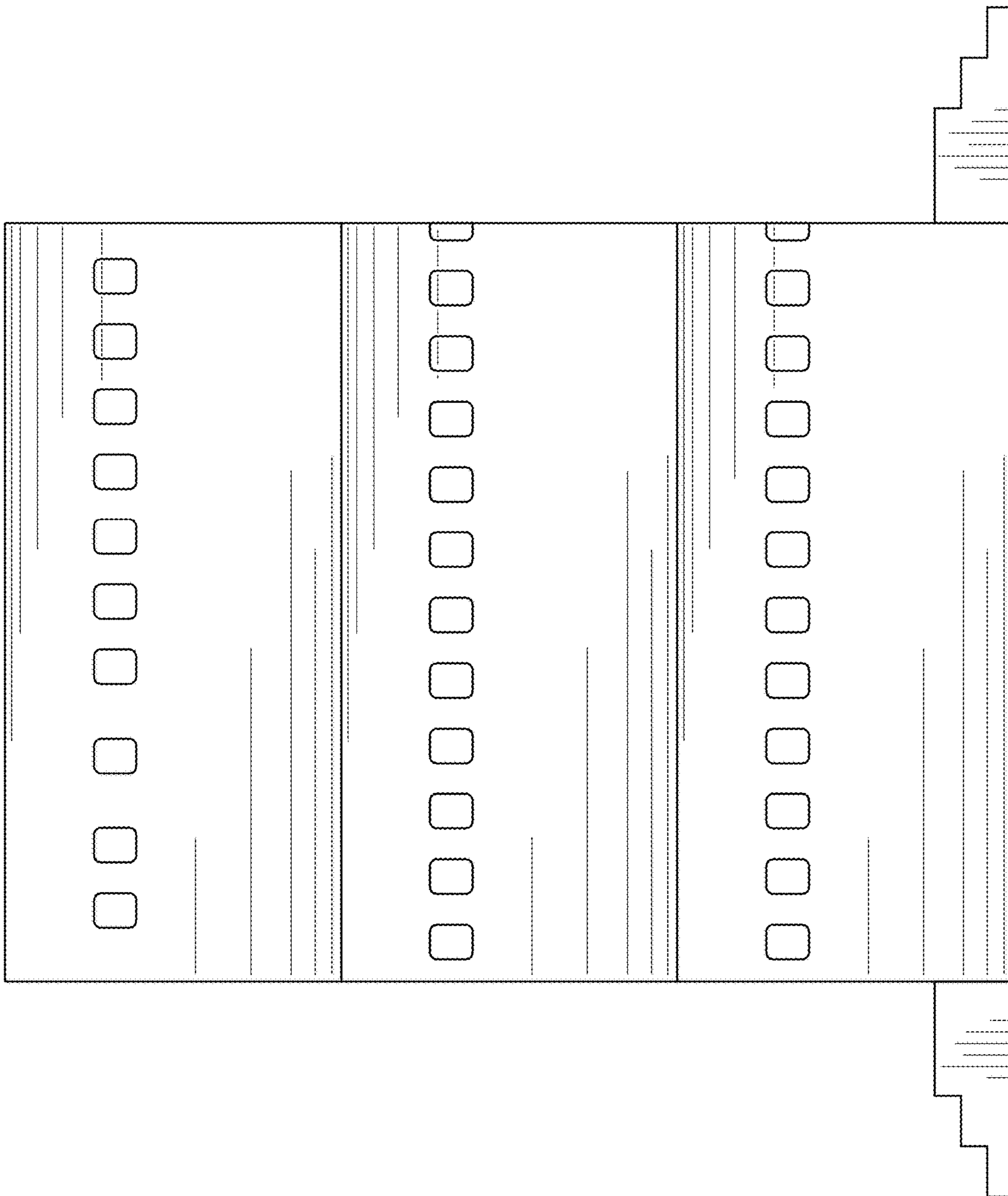


FIG. 4

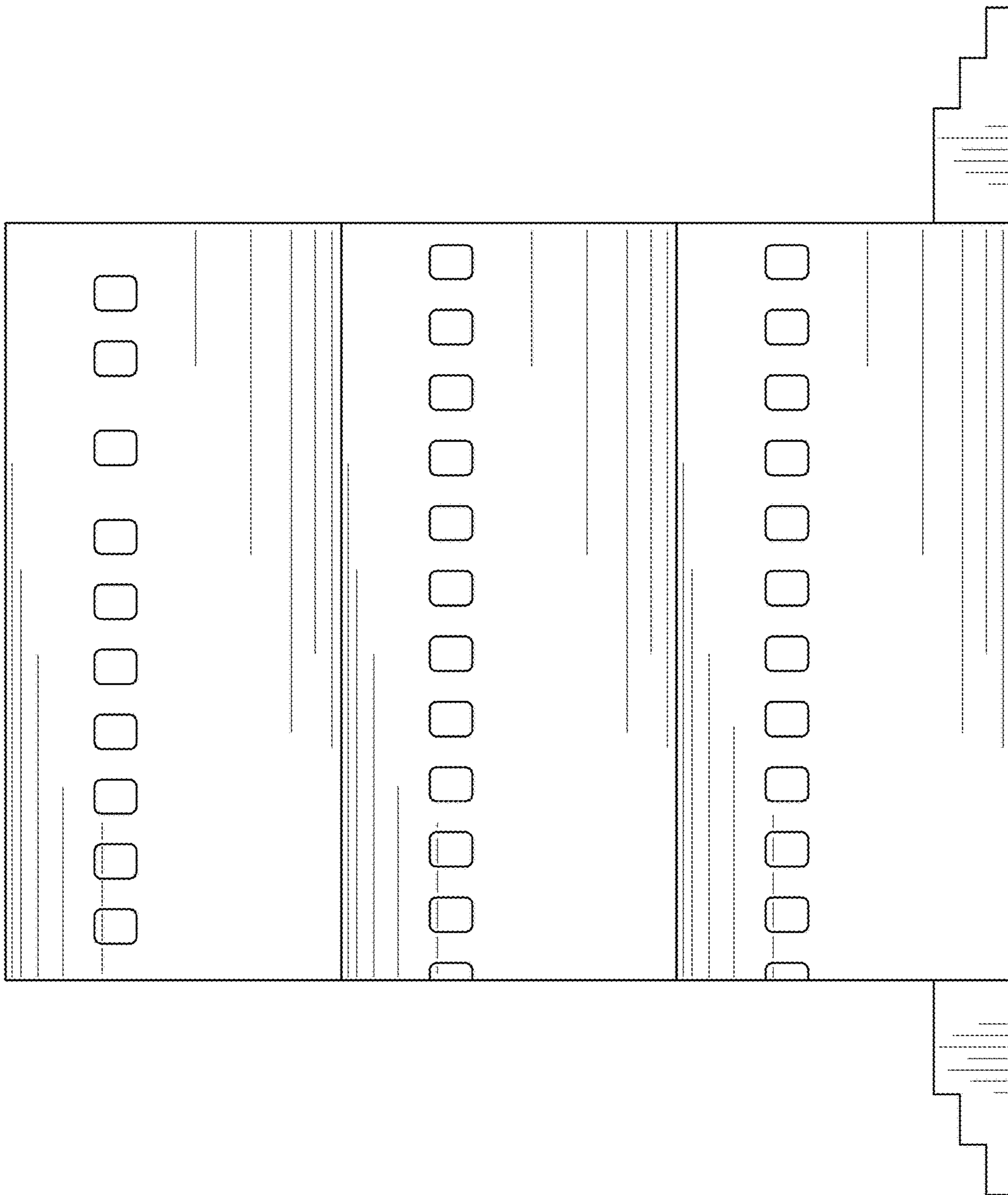


FIG. 5

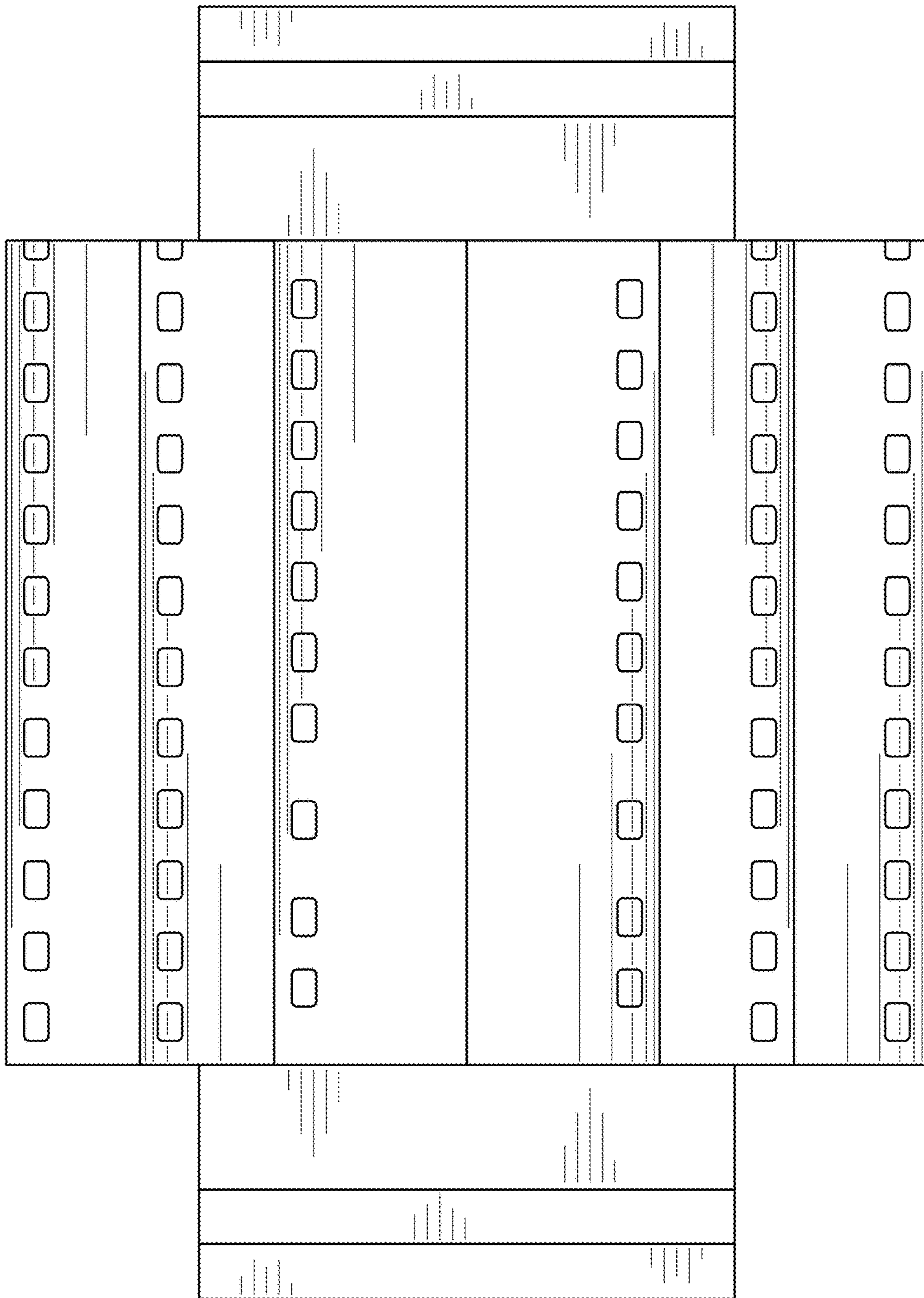


FIG. 6

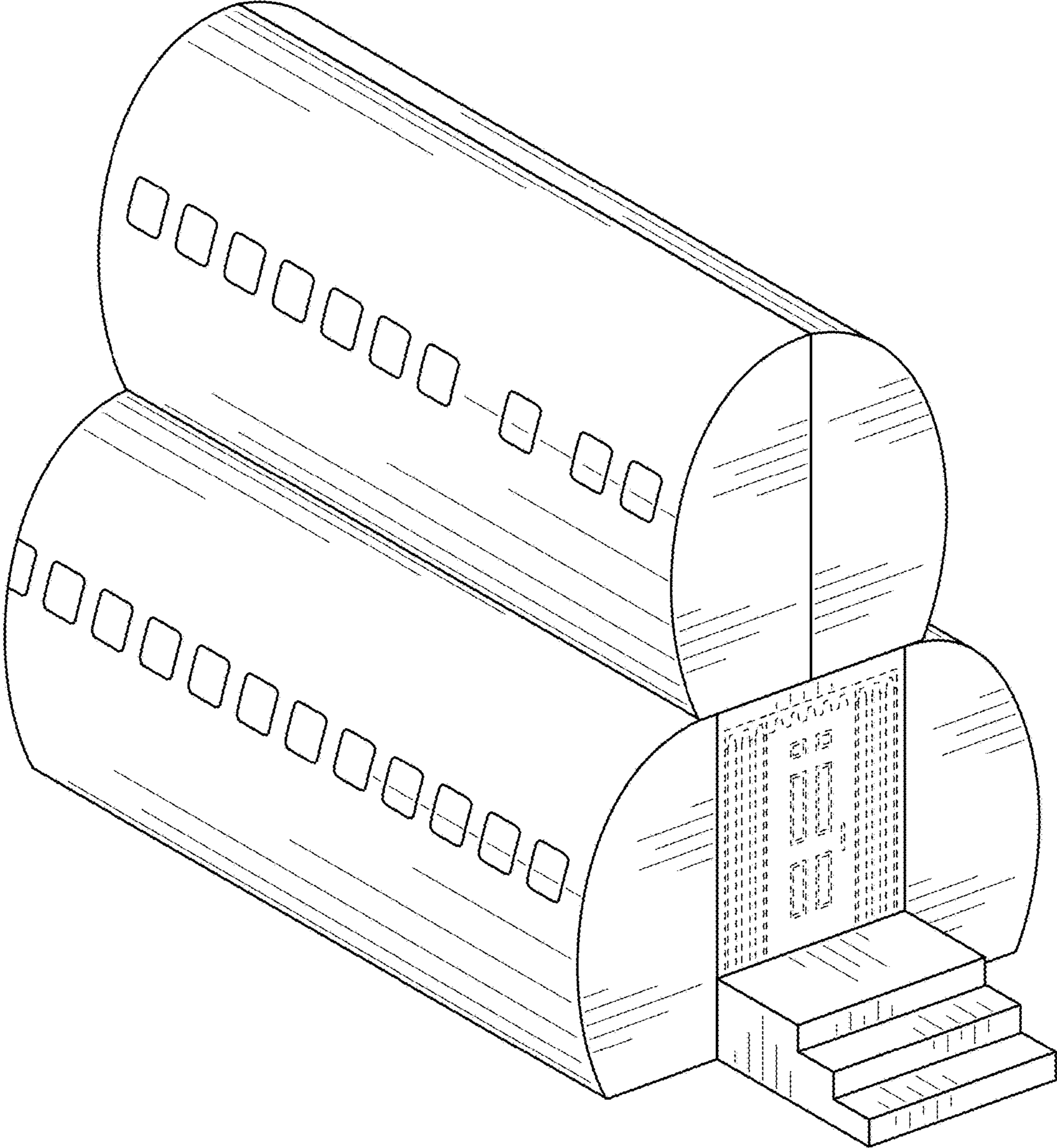


FIG. 7

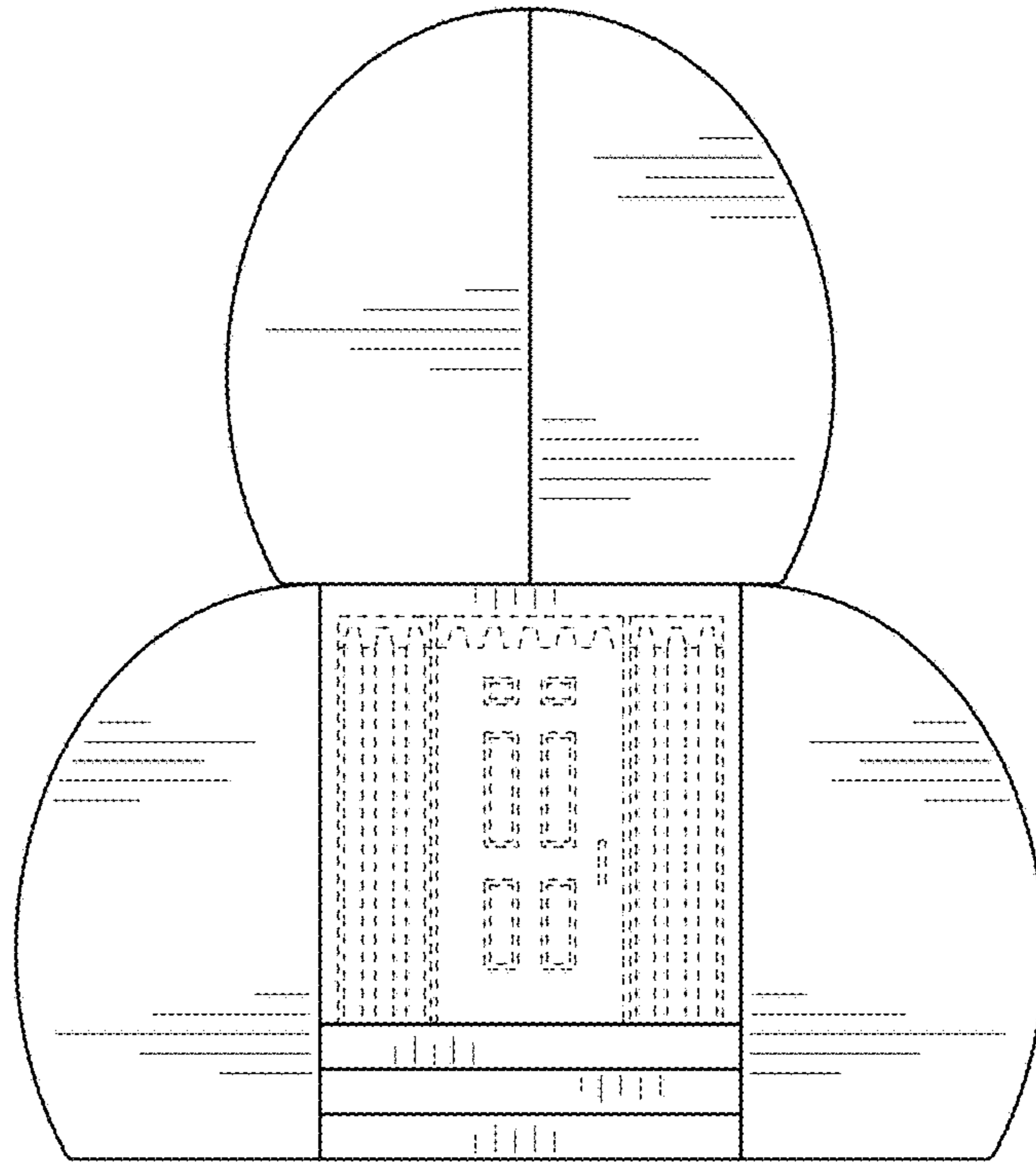


FIG. 8

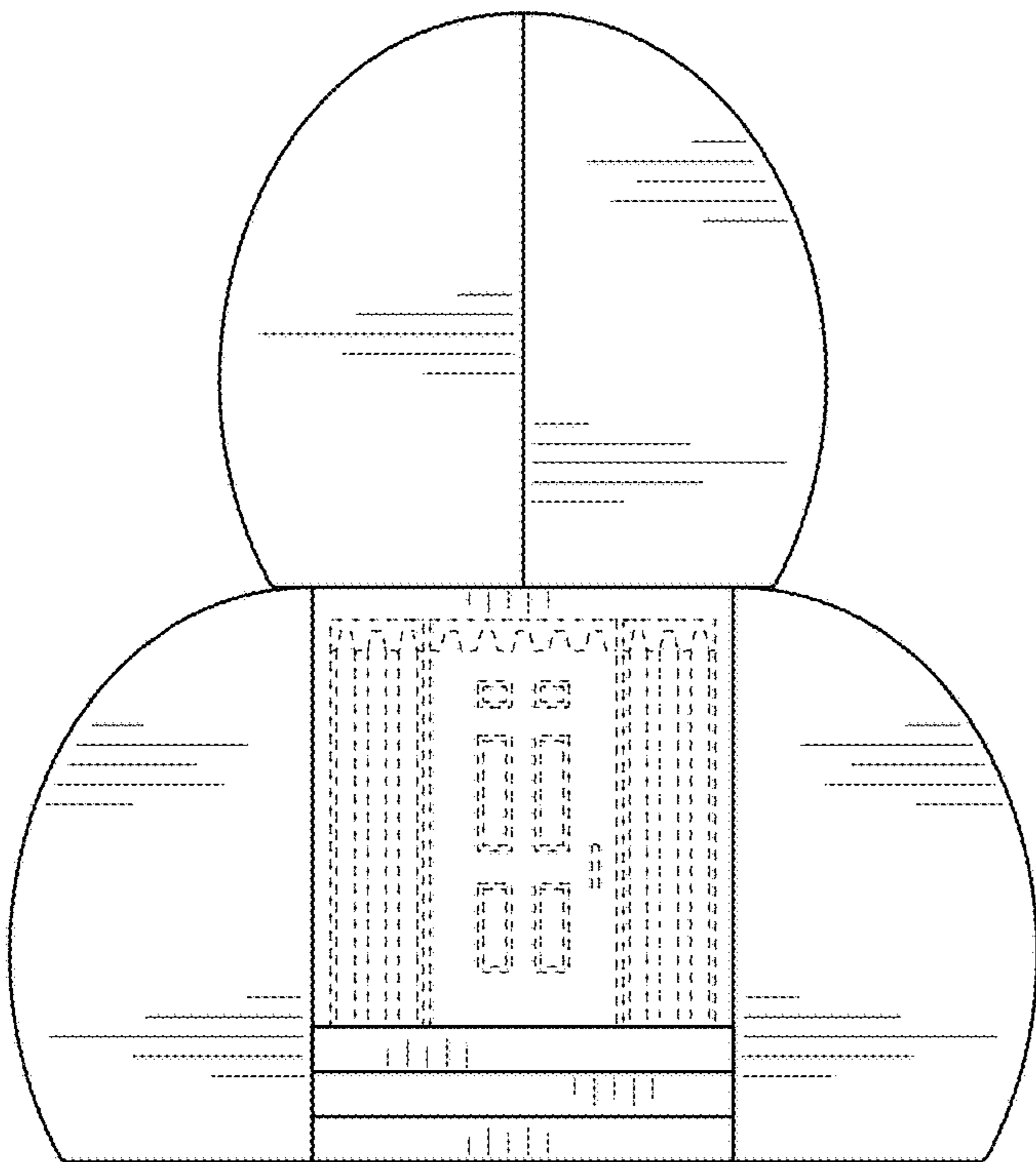


FIG. 9

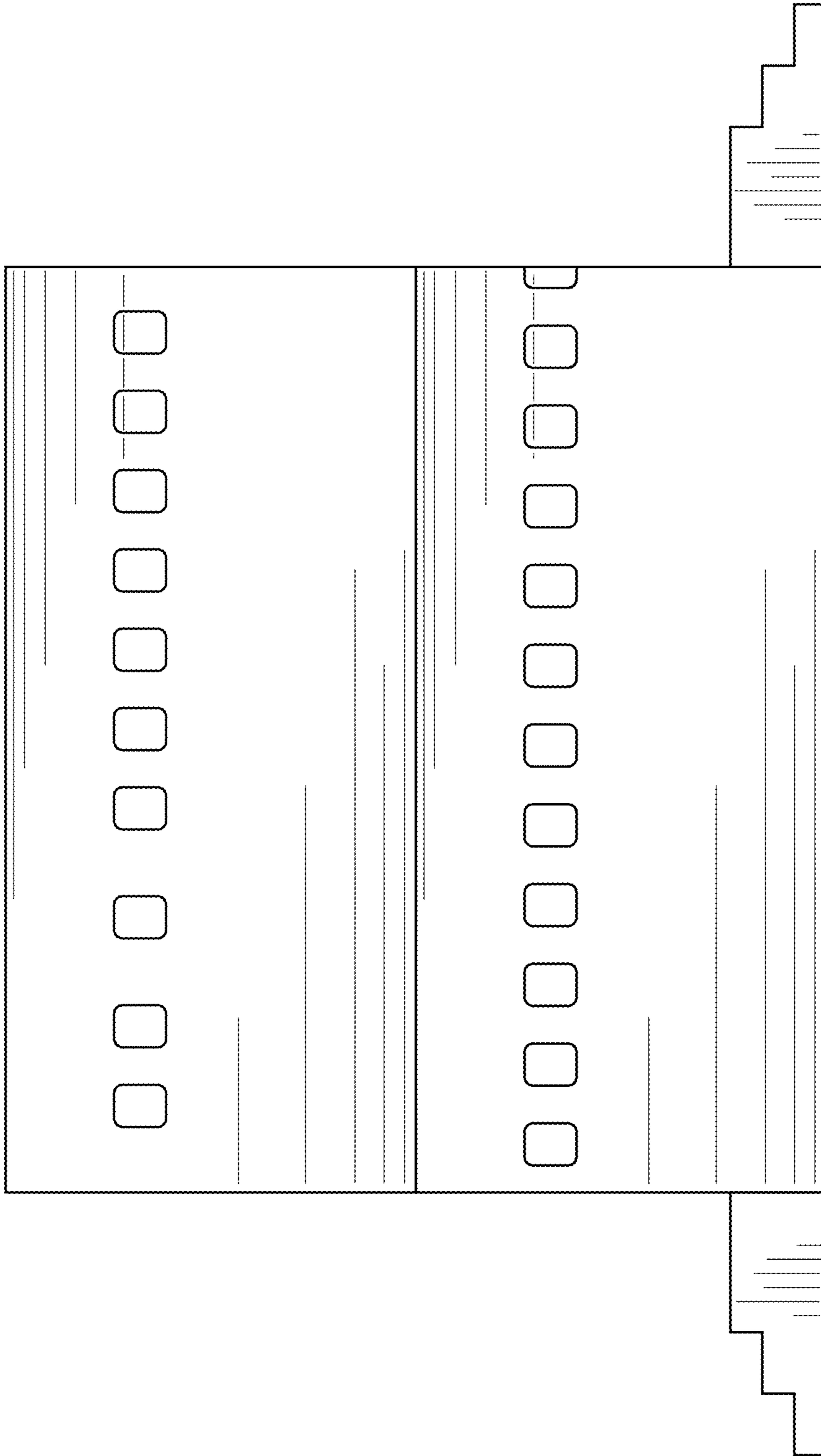


FIG. 10

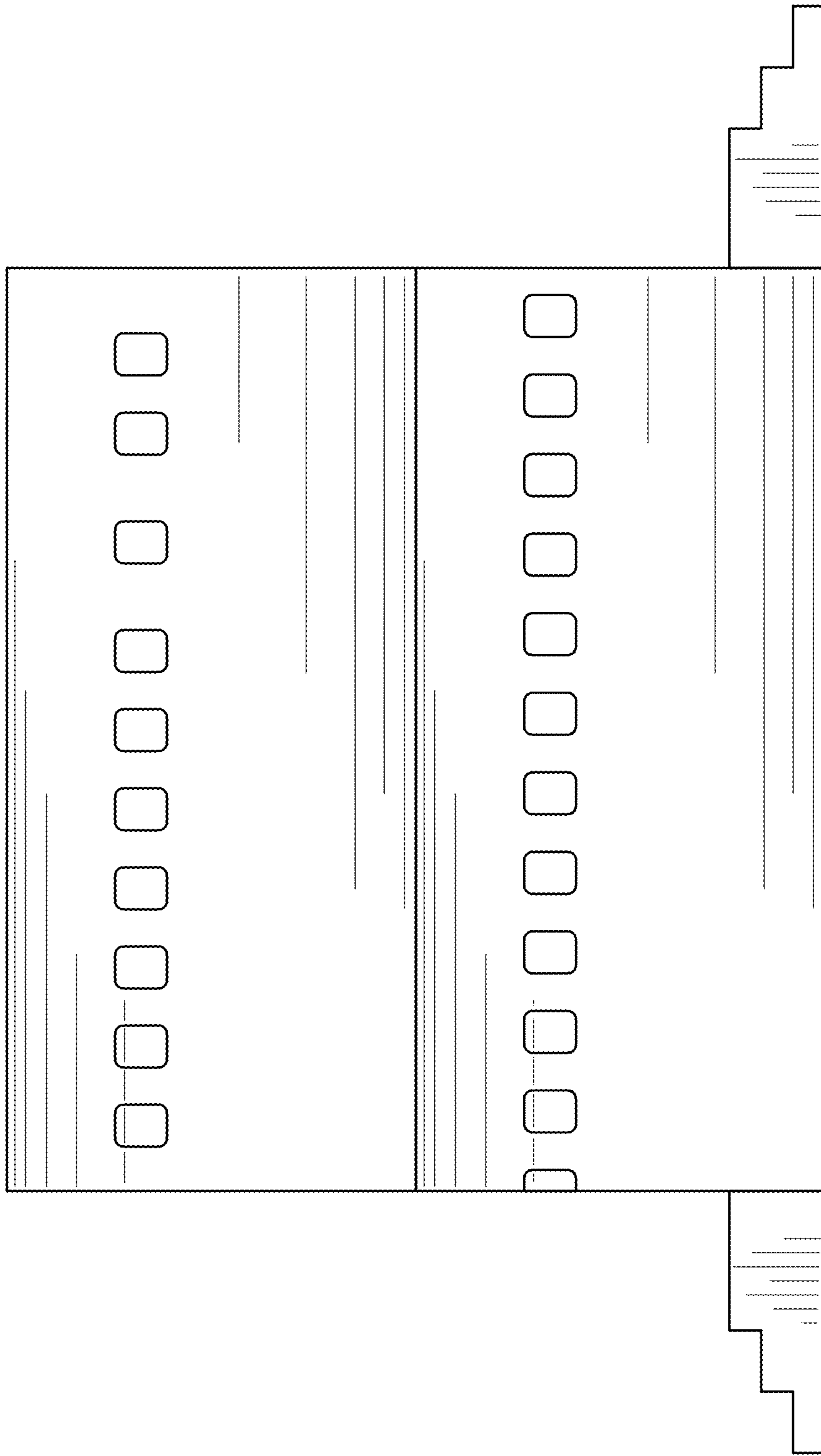


FIG. 11

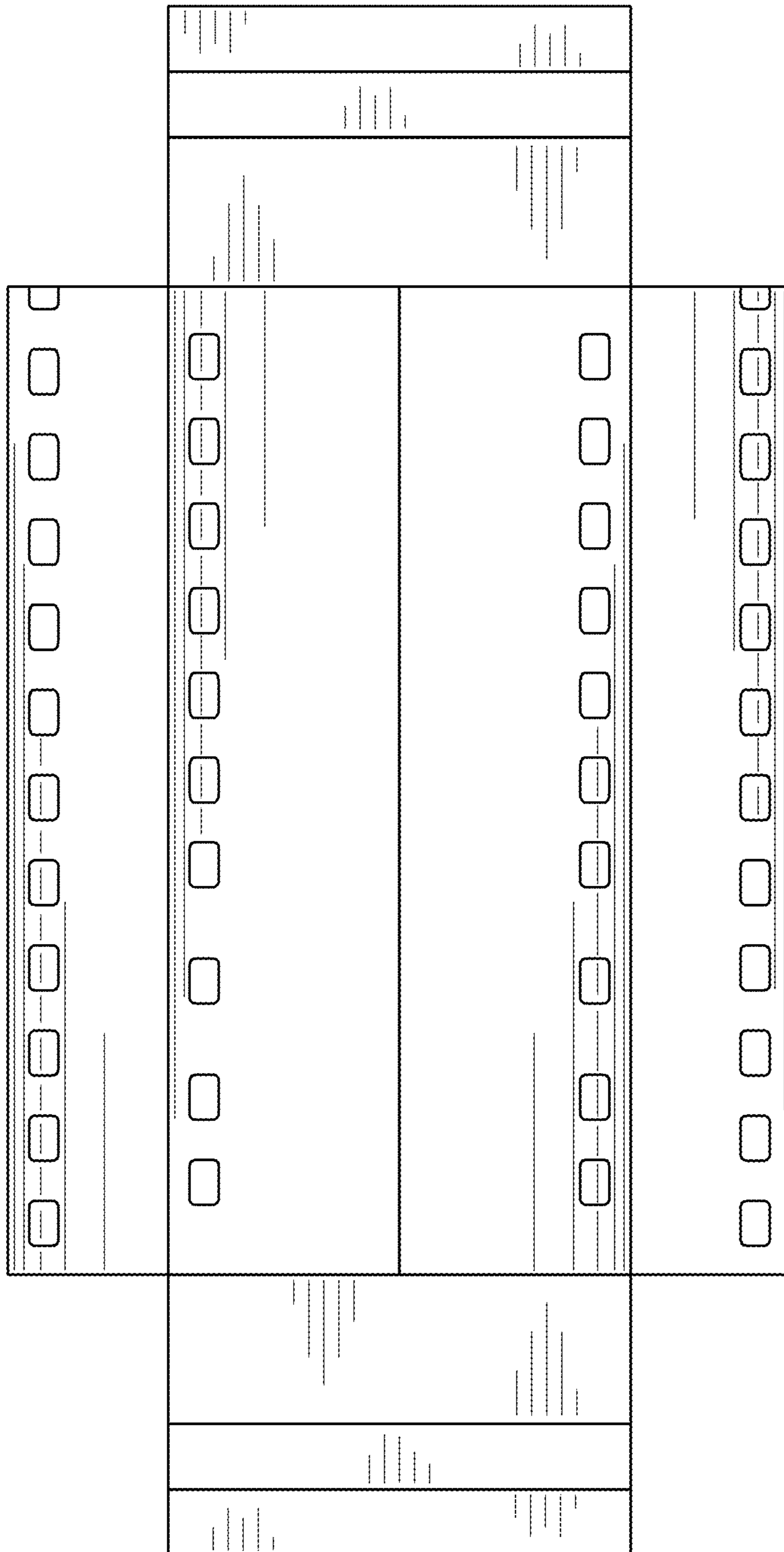


FIG. 12

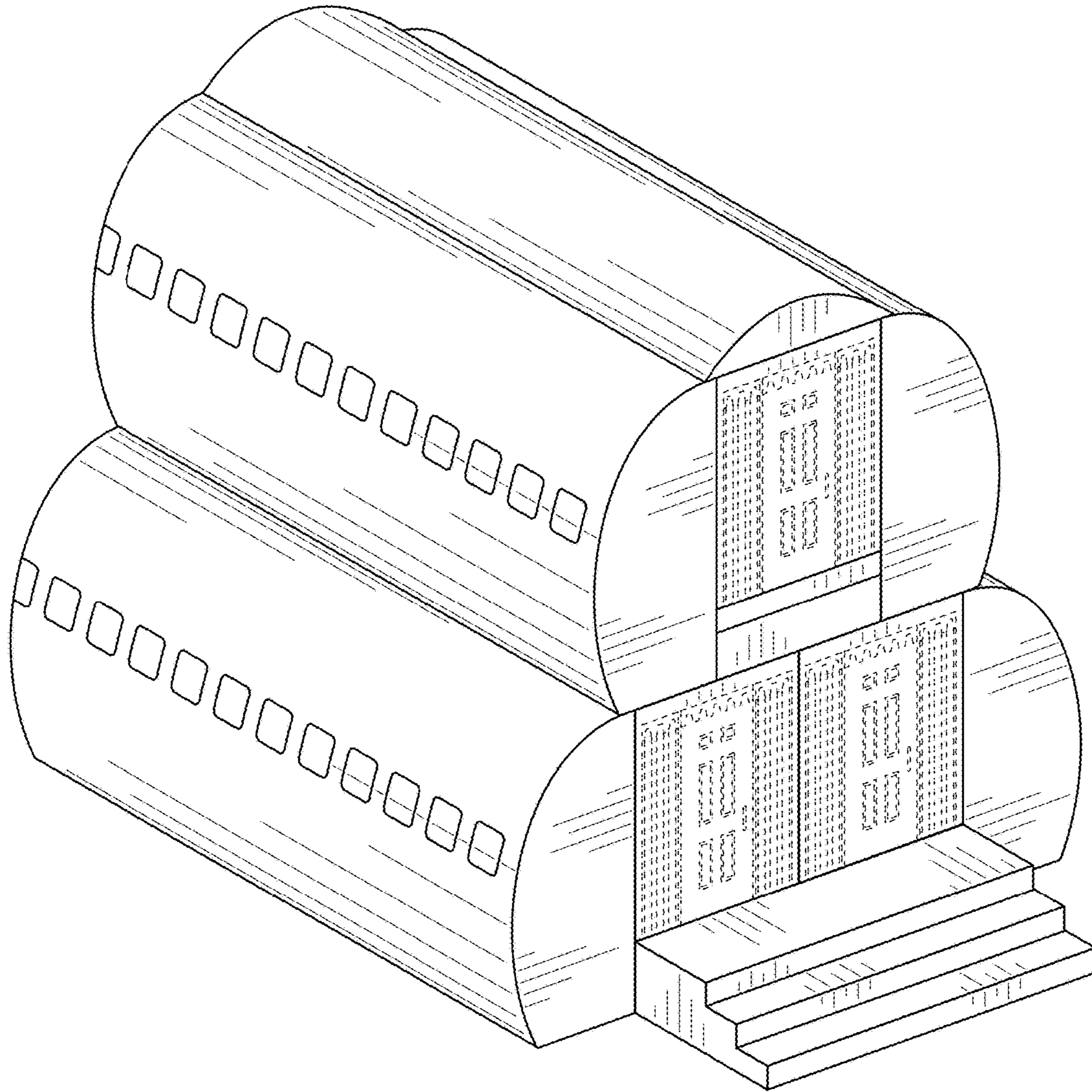


FIG. 13

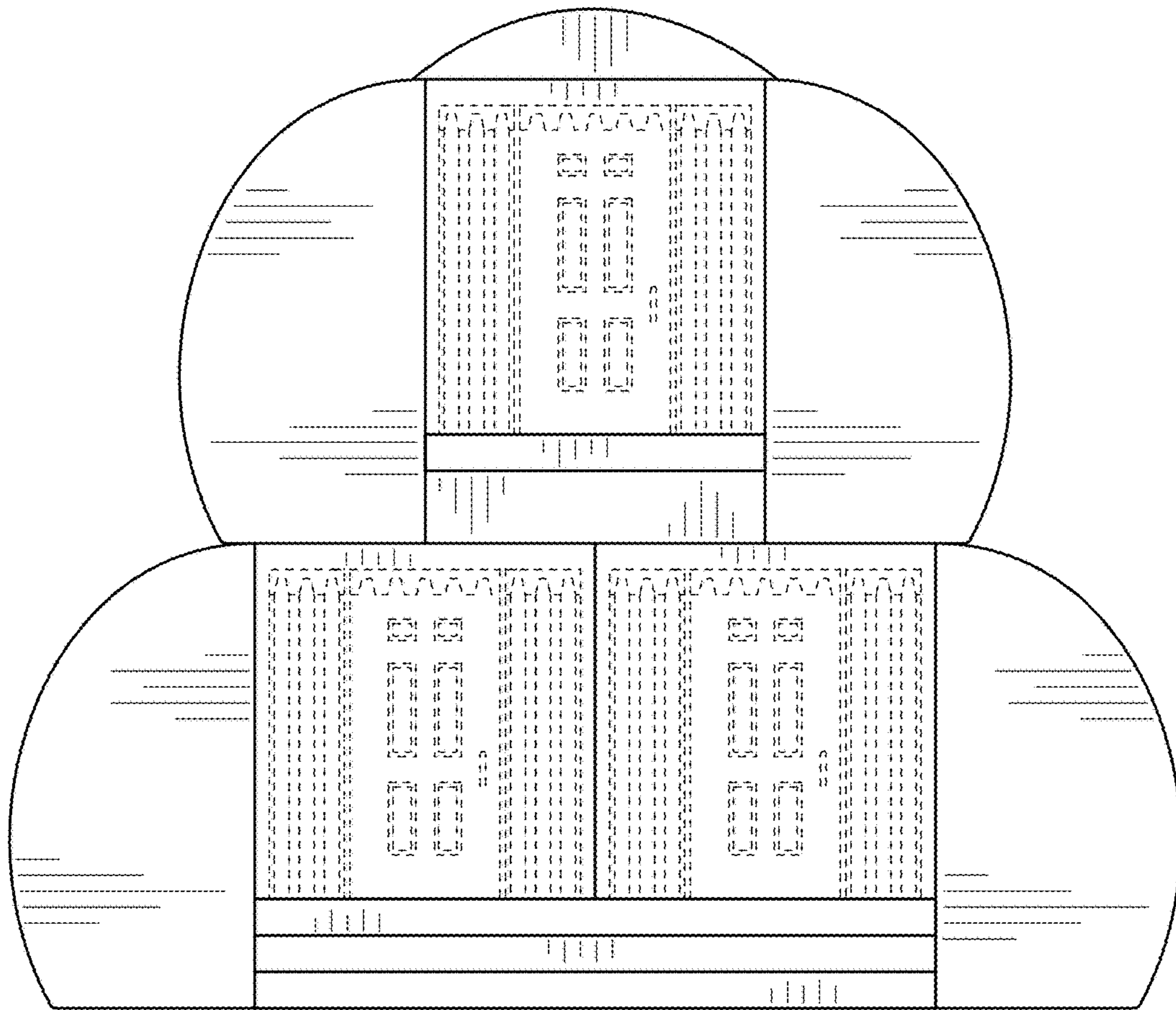


FIG. 14

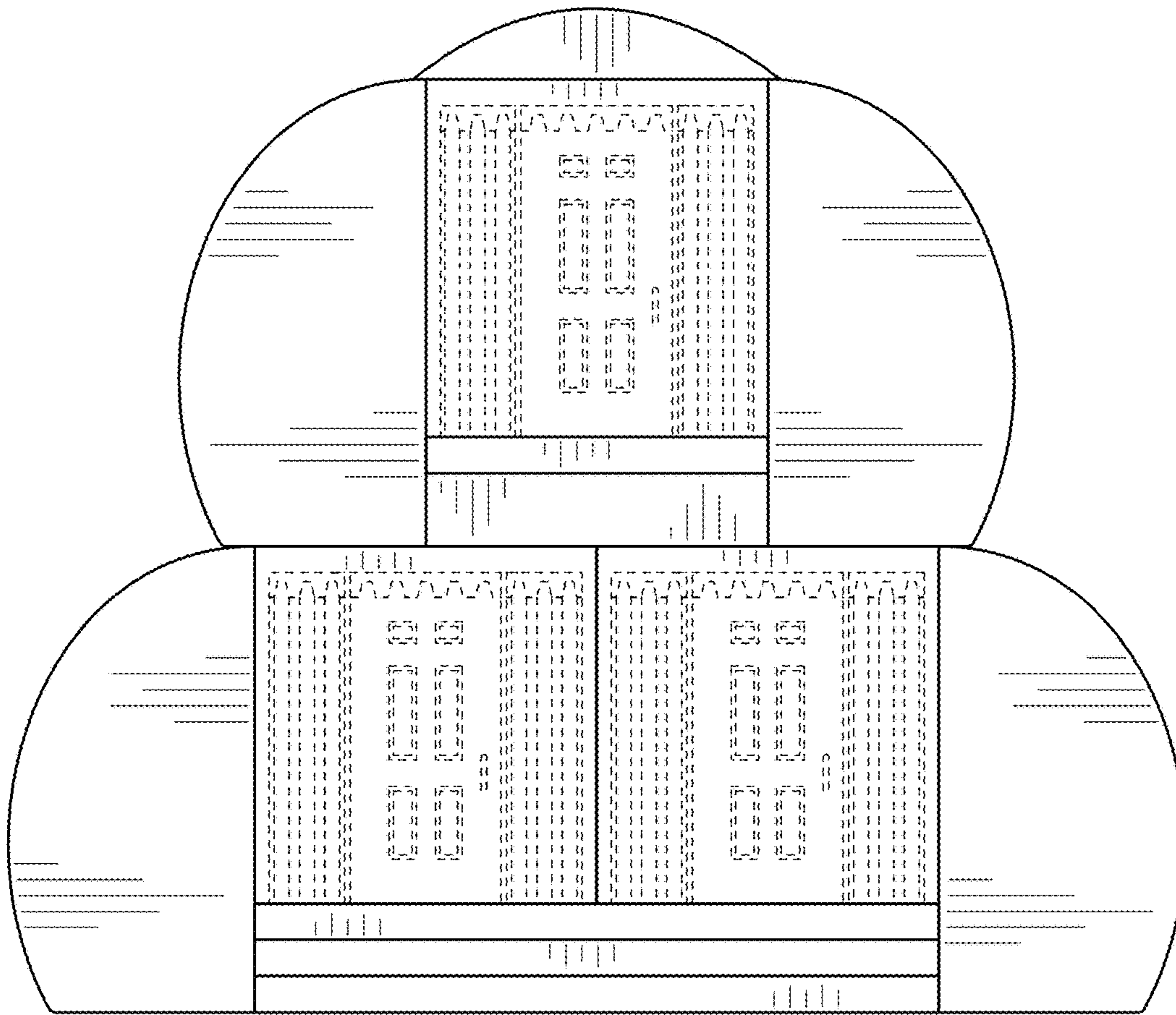


FIG. 15

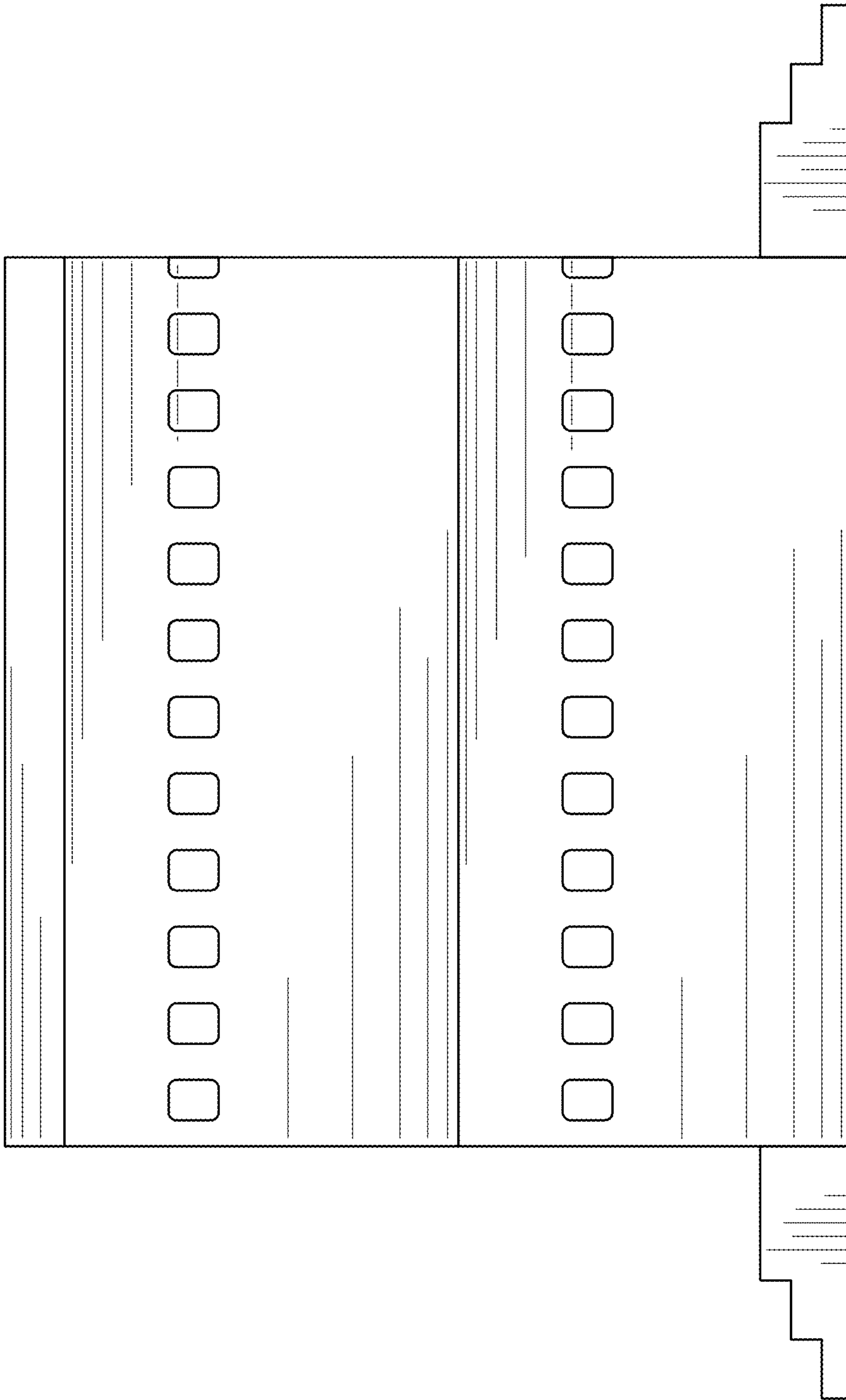


FIG. 16

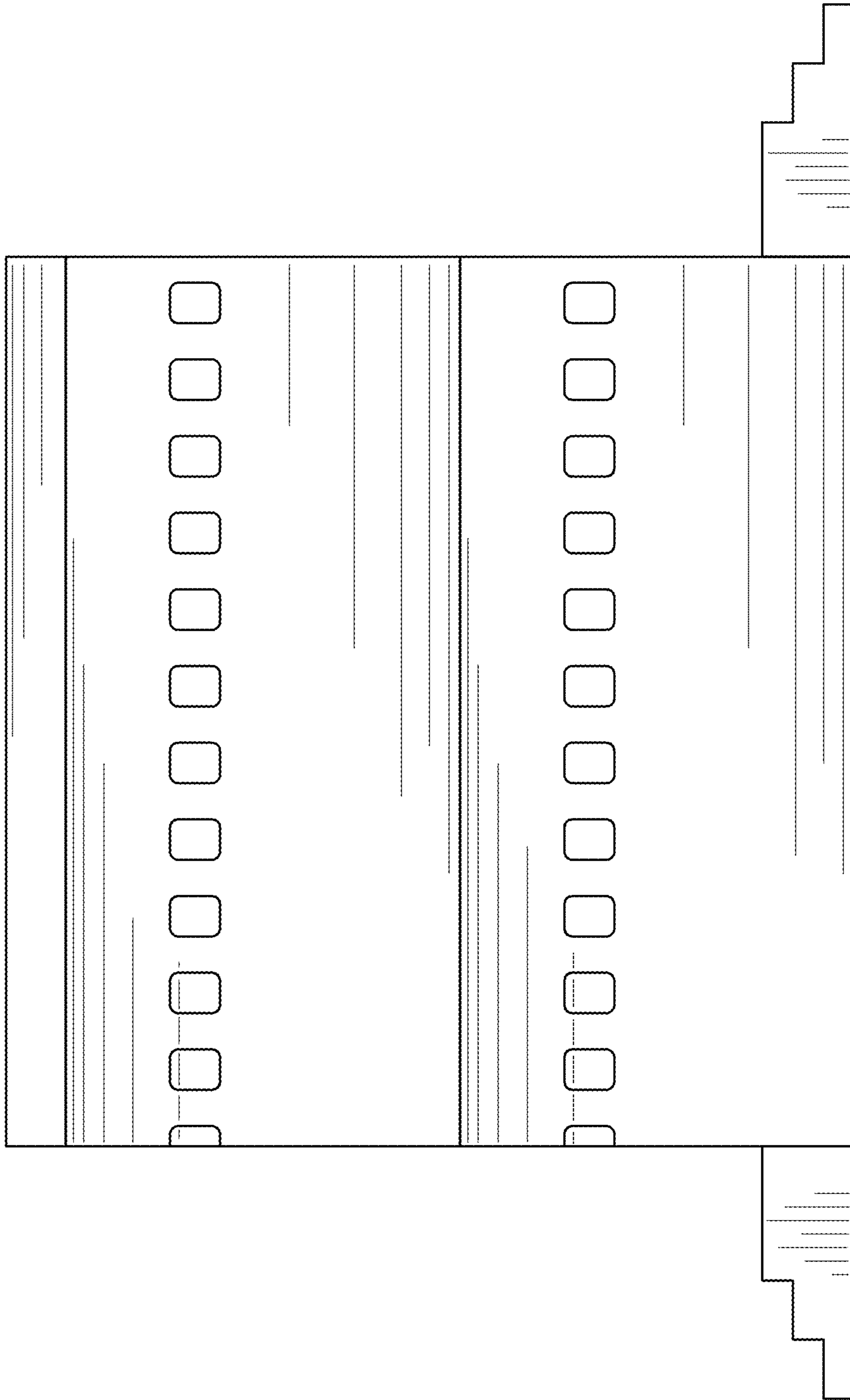


FIG. 17

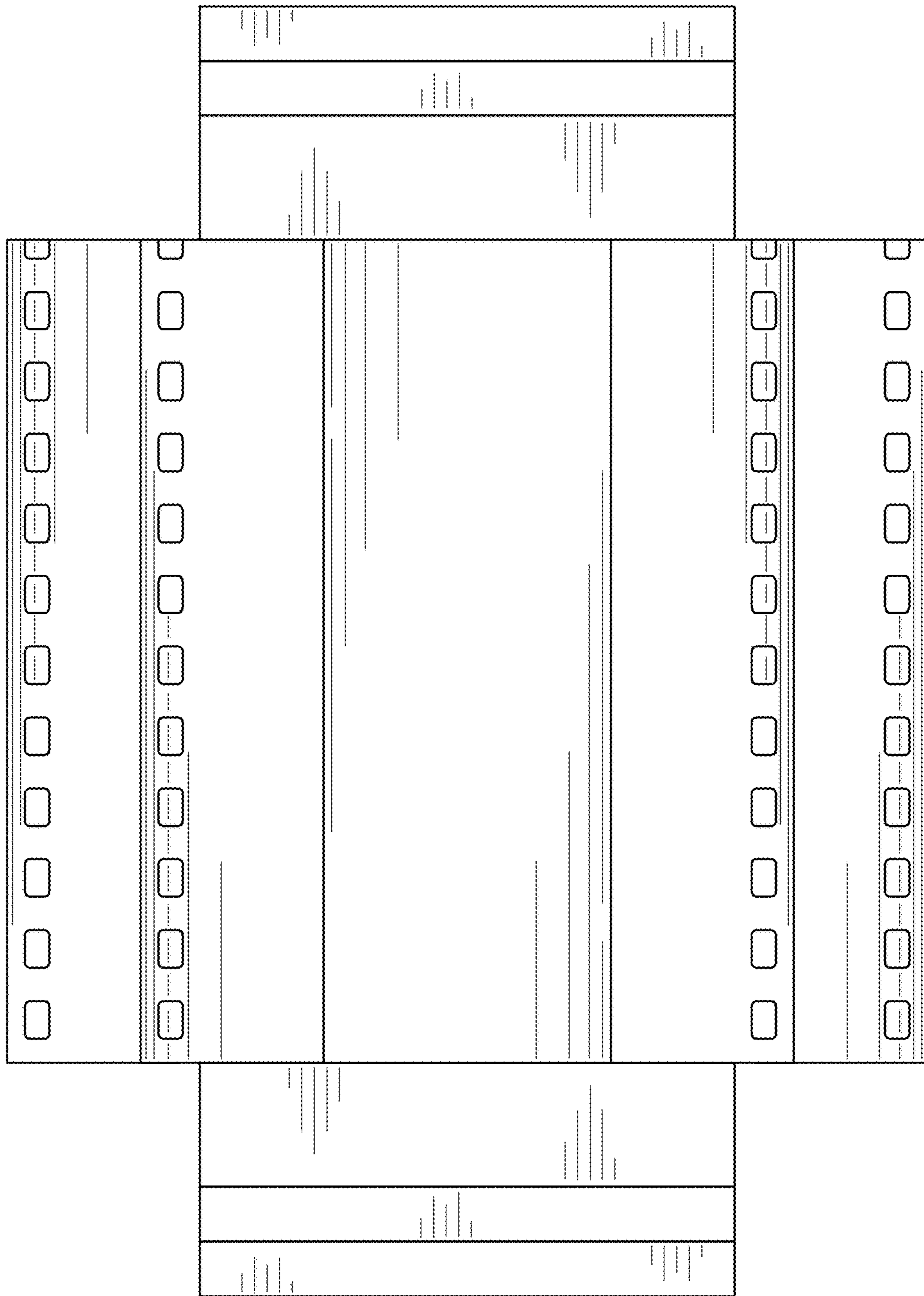


FIG. 18